



US00D532542S

(12) **United States Design Patent**
Yuen

(10) **Patent No.:** **US D532,542 S**

(45) **Date of Patent:** **** Nov. 21, 2006**

(54) **HALOGEN SPOTLIGHT WITH LED LIGHT**

D512,169 S * 11/2005 Yuen D26/46

(76) Inventor: **Se Kit Yuen**, 6/F., Yau Lee Centre, 45
Hoi Yuen Road, Kwun Tong, Kowloon
(HK)

* cited by examiner

Primary Examiner—Marcus A. Jackson

(74) *Attorney, Agent, or Firm*—Akerman Senterfitt

(**) Term: **14 Years**

(57) **CLAIM**

(21) Appl. No.: **29/242,841**

The ornamental design of a halogen spotlight with LED light, as shown and described.

(22) Filed: **Nov. 15, 2005**

DESCRIPTION

(51) **LOC (8) Cl.** **26-02**

FIG. 1 is a perspective view of the halogen spotlight with LED light;

(52) **U.S. Cl.** **D26/46**

FIG. 2 is another perspective view thereof;

(58) **Field of Classification Search** D26/37–50;

FIG. 3 is a front view thereof;

362/157, 158, 171–174, 183–208

FIG. 4 is a rear view thereof;

See application file for complete search history.

FIG. 5 is a left side view thereof;

(56) **References Cited**

FIG. 6 is right side view thereof

U.S. PATENT DOCUMENTS

FIG. 7 is a top view thereof; and,

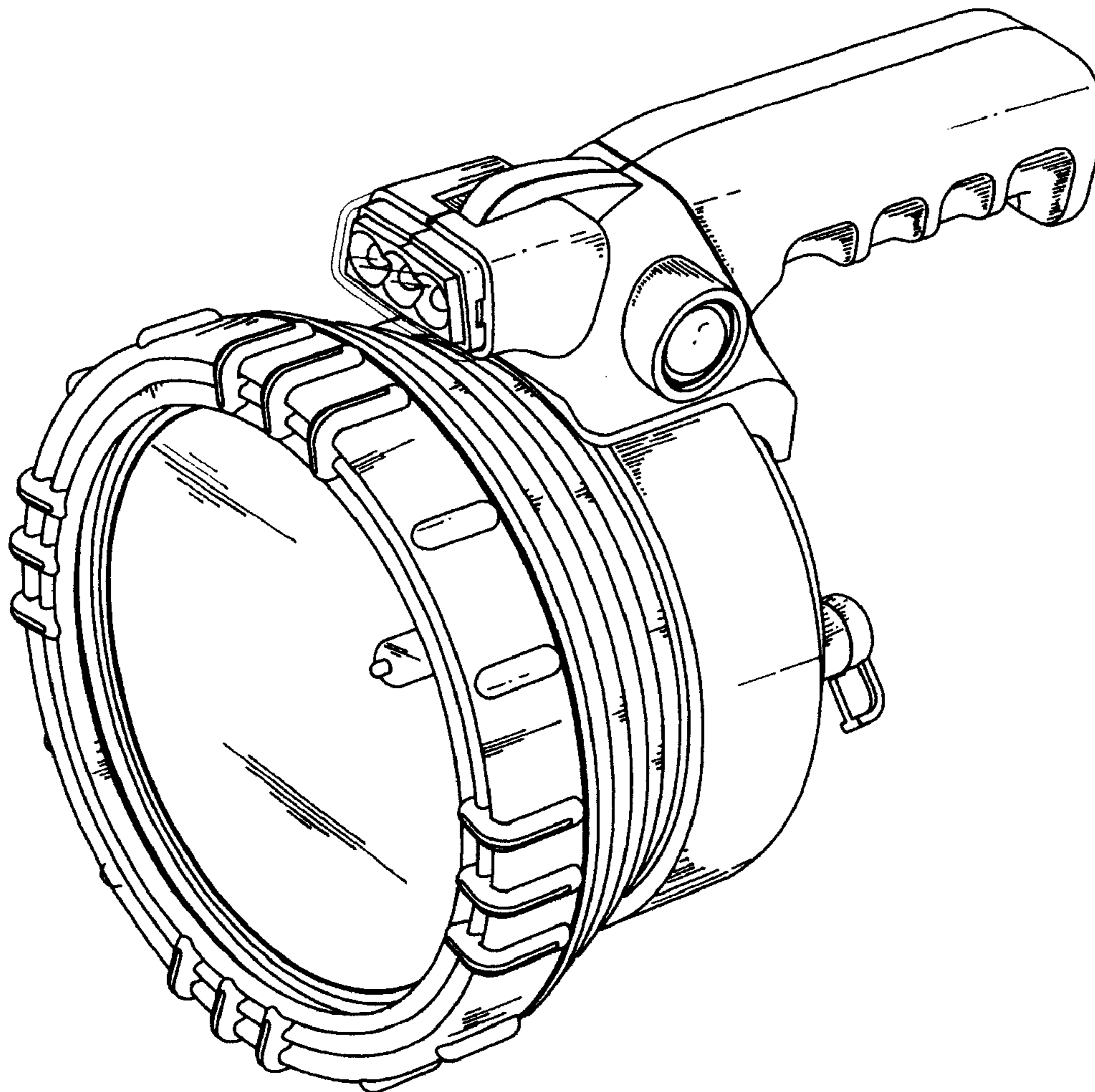
D345,811 S * 4/1994 Van Deursen et al. D26/46

FIG. 8 is a bottom view thereof.

D432,690 S * 10/2000 Yuen D26/41

D450,146 S * 11/2001 Yuen D26/45

1 Claim, 5 Drawing Sheets



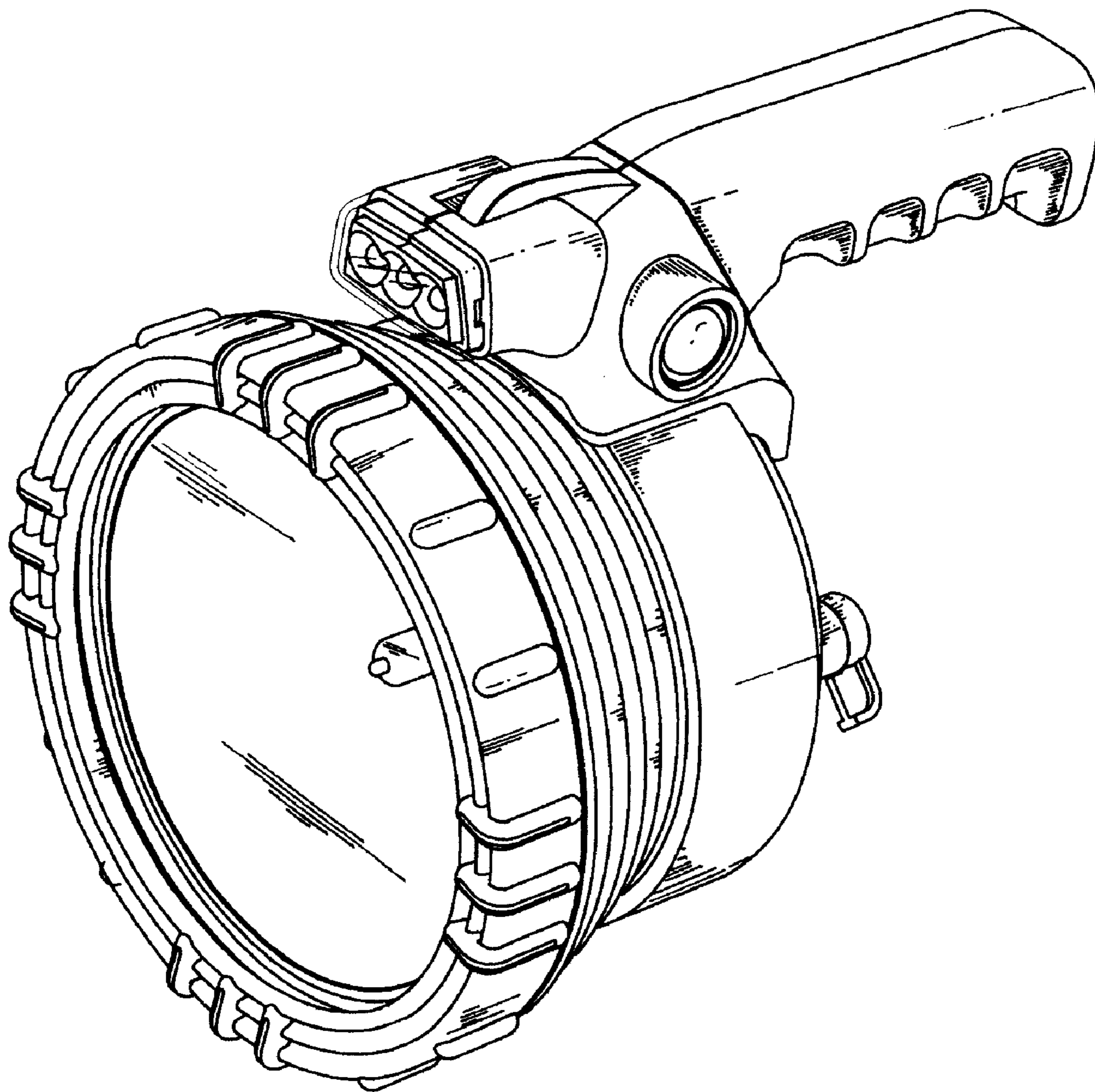


FIG. 1

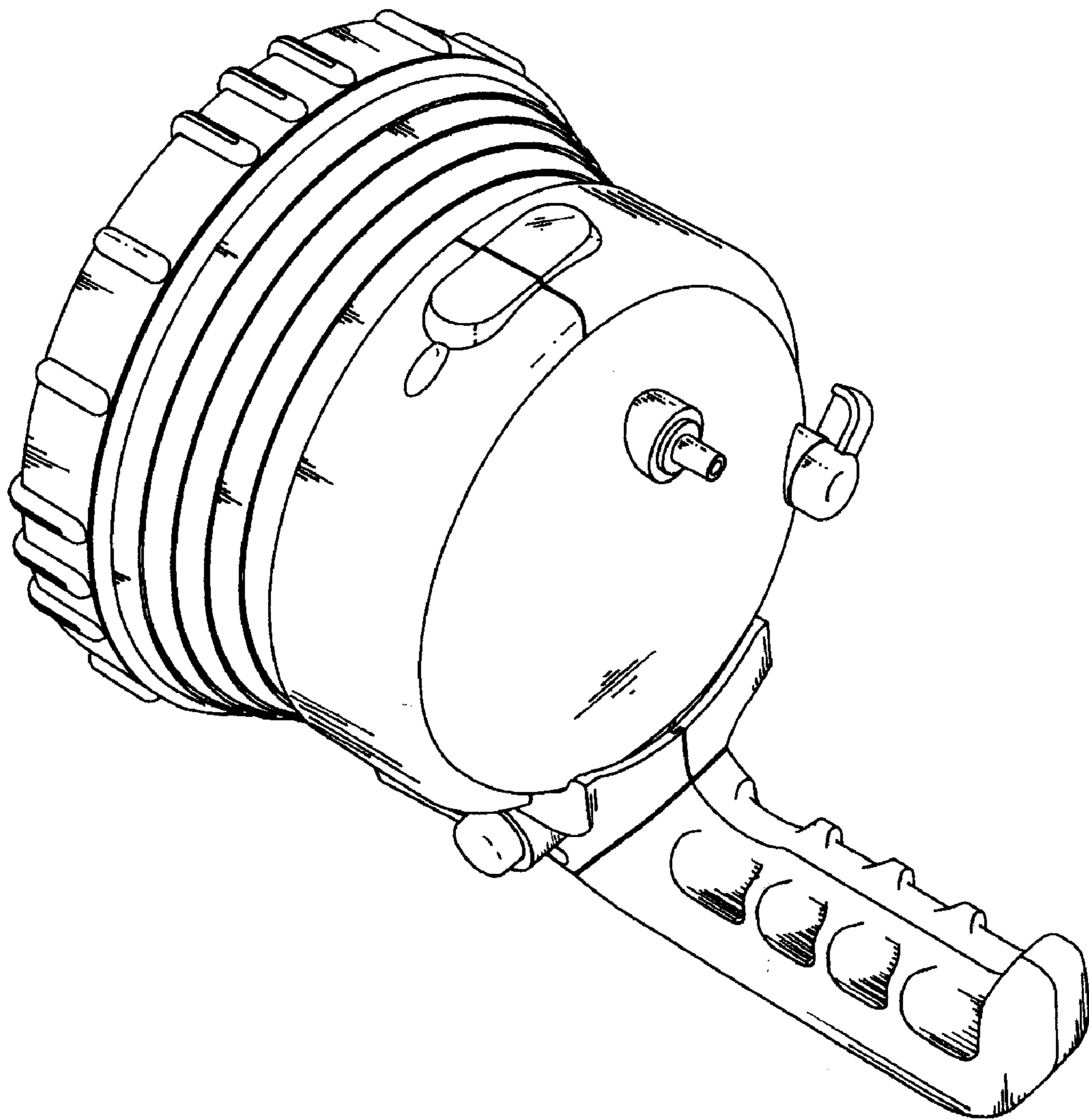


FIG. 2

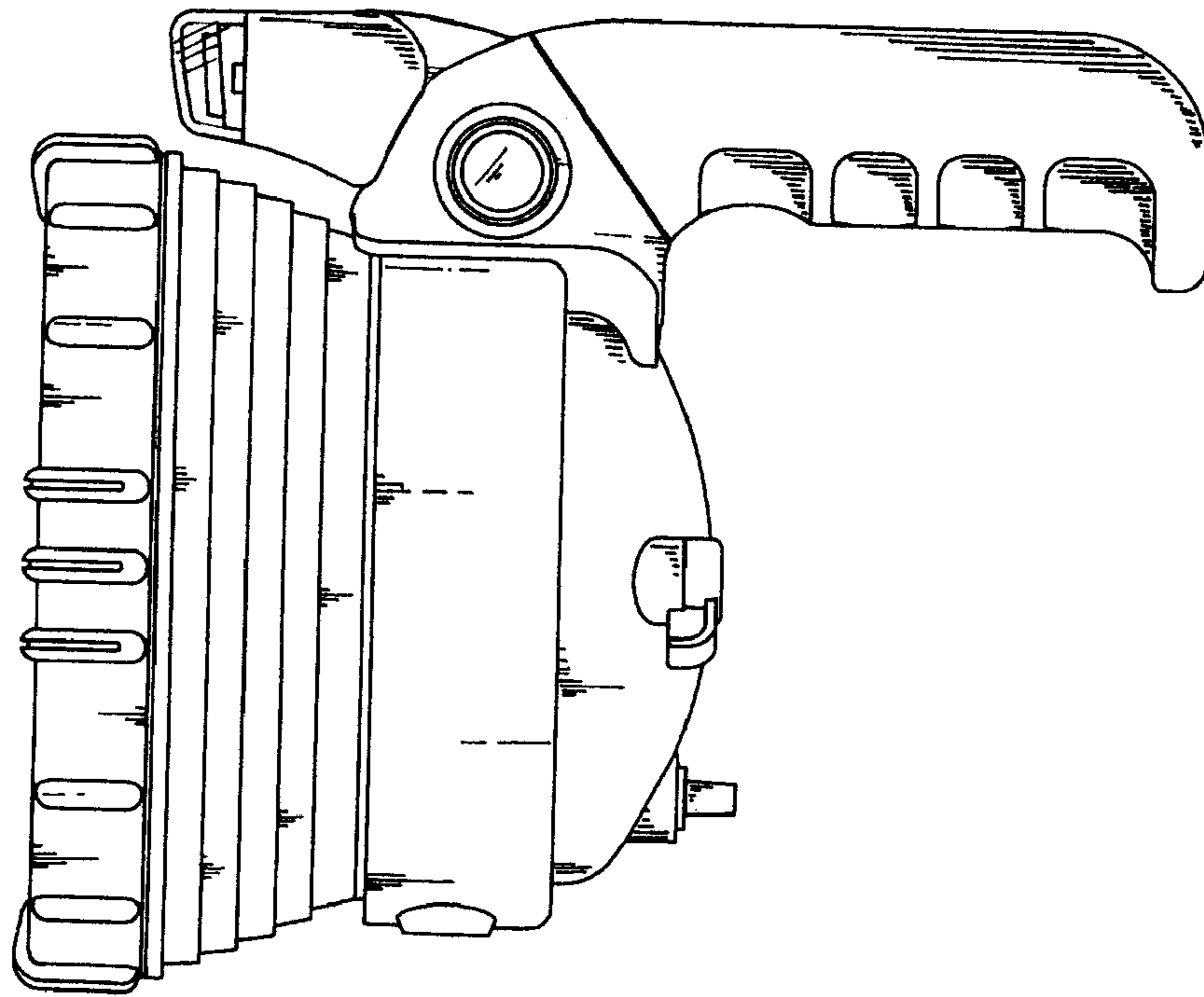


FIG. 3

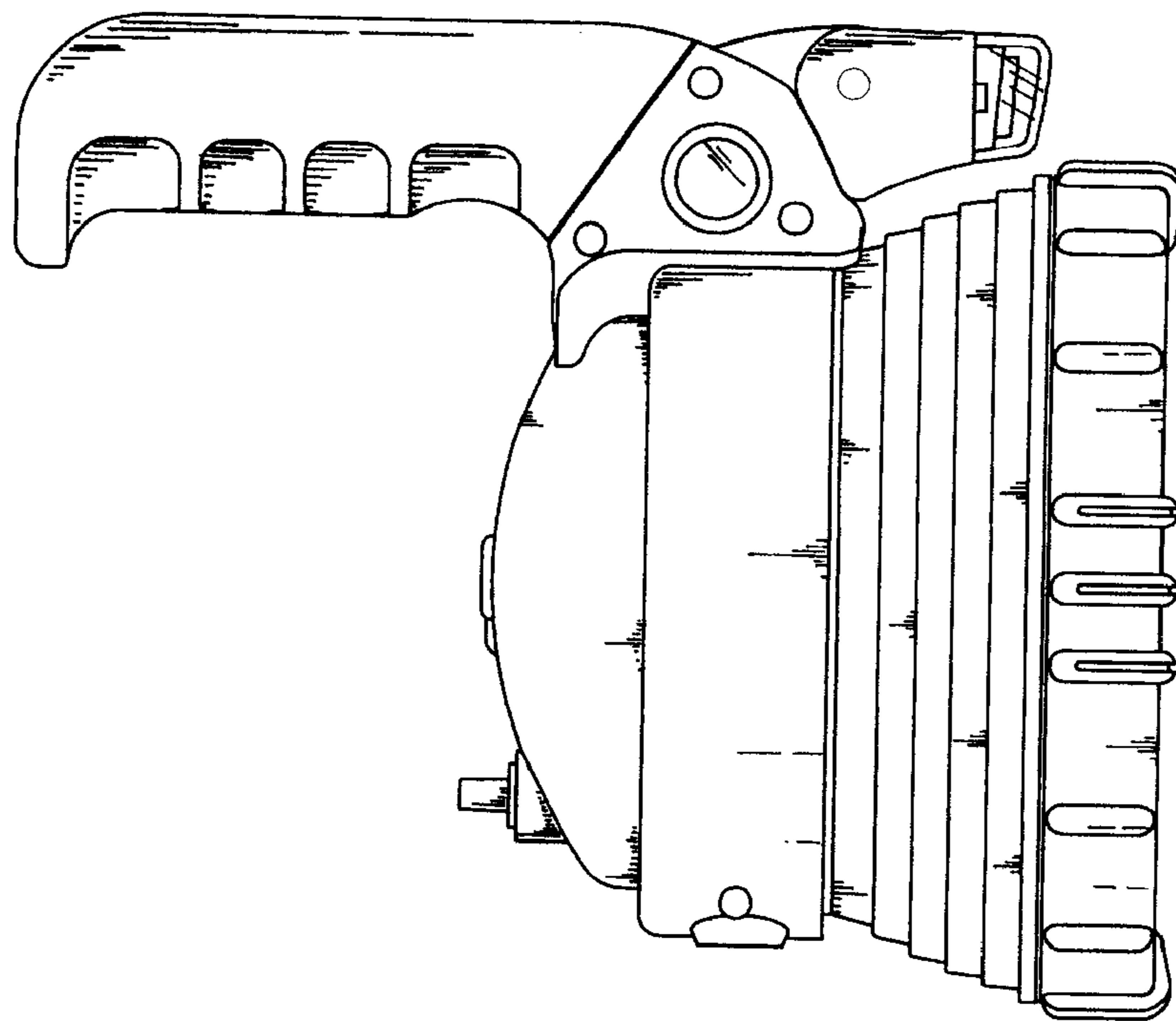


FIG. 4

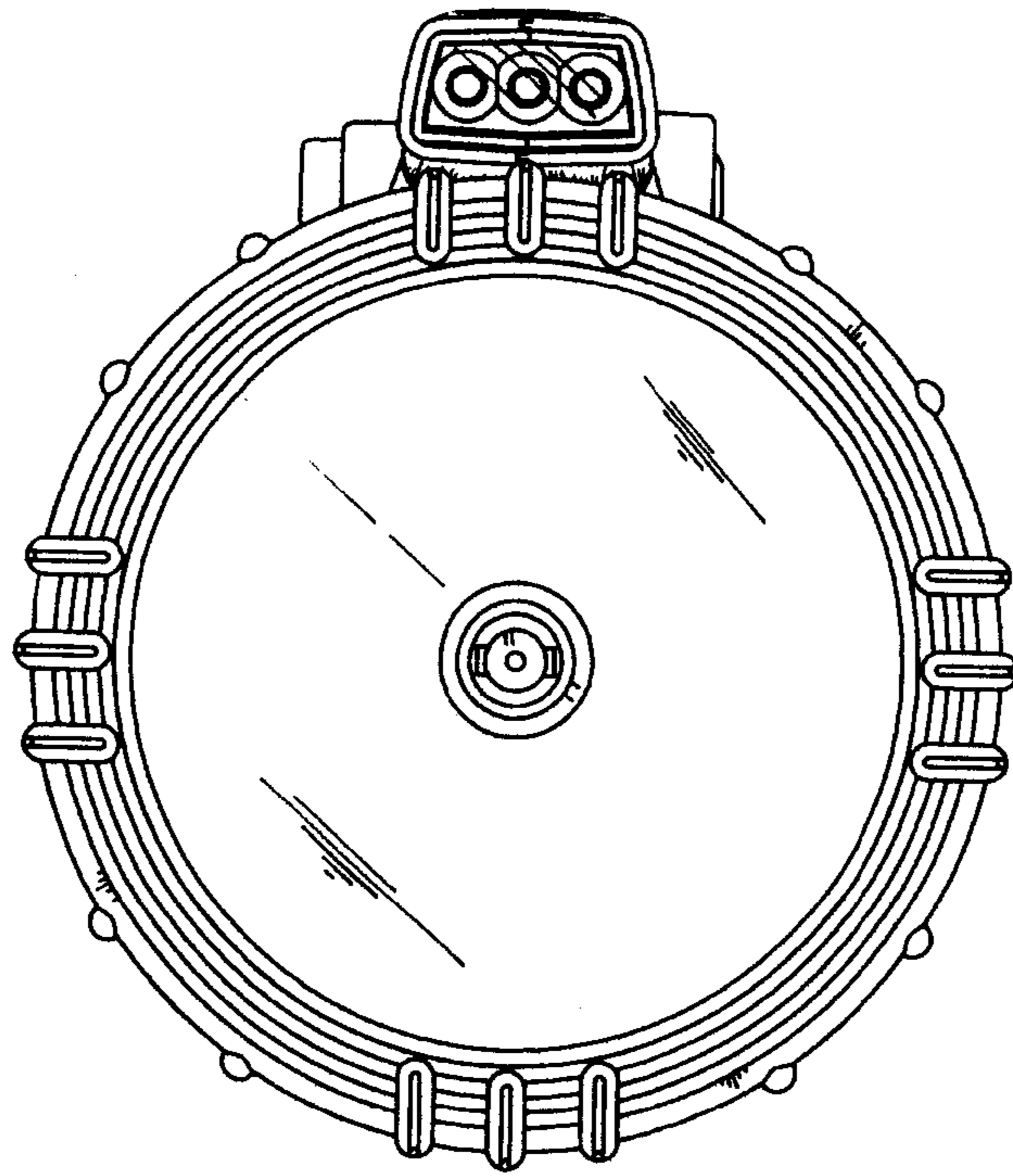


FIG. 5

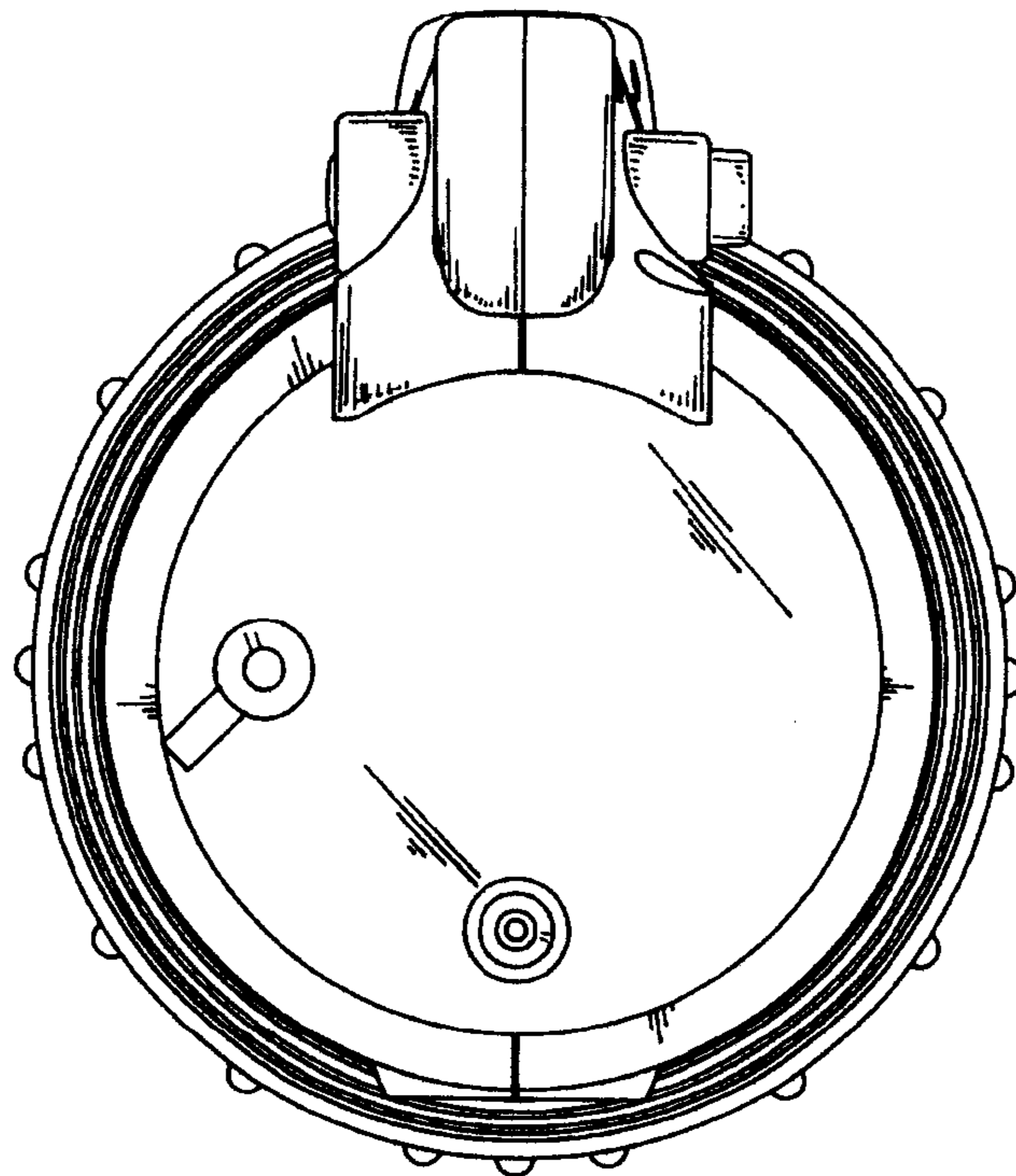


FIG. 6

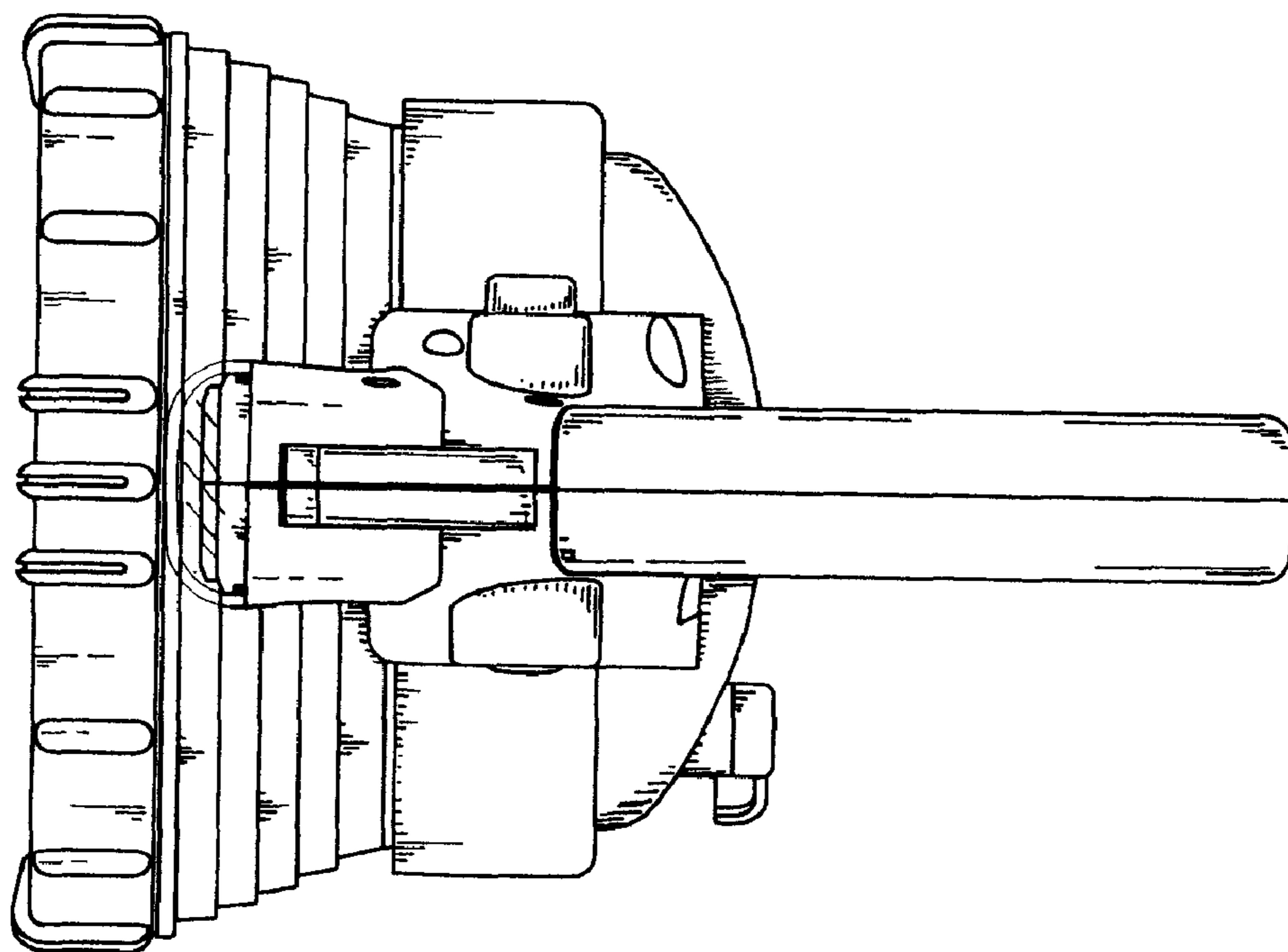


FIG. 7

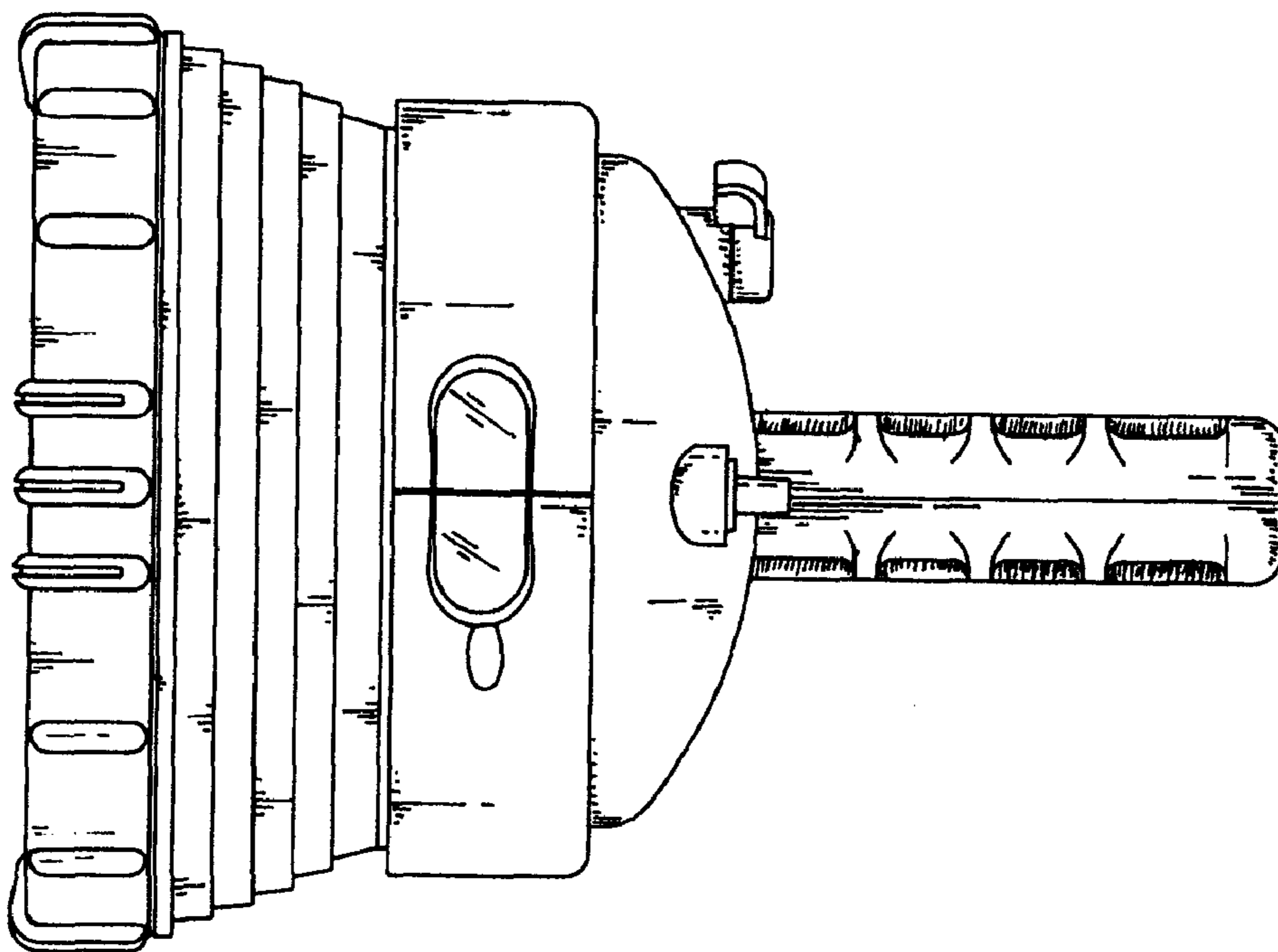


FIG. 8