

US00D532540S

(12) **United States Design Patent**
Cohen

(10) **Patent No.:** **US D532,540 S**

(45) **Date of Patent:** **** Nov. 21, 2006**

(54) **PORTABLE GERMICIDAL LAMP WITH
SLOTTED LENS AND FLASHLIGHT**

(76) Inventor: **Sheldon Lee Cohen**, 132 Waverly Dr.,
Fern Park, FL (US) 32730

(**) Term: **14 Years**

(21) Appl. No.: **29/245,215**

(22) Filed: **Dec. 20, 2005**

(51) **LOC (8) Cl.** **26-02**

(52) **U.S. Cl.** **D26/42**

(58) **Field of Classification Search** D26/37-50;
362/157, 158, 171-174, 183-208

See application file for complete search history.

(56) **References Cited**

U.S. PATENT DOCUMENTS

| | | | | |
|--------------|-----|---------|-----------------|--------|
| 3,662,175 | A | 5/1972 | Davidson et al. | |
| 4,786,812 | A | 11/1988 | Humphreys | |
| 4,896,042 | A | 1/1990 | Humphreys | |
| 4,952,369 | A | 8/1990 | Belilos | |
| 6,242,753 | B1 | 6/2001 | Sakurai | |
| D464,753 | S * | 10/2002 | Yamamoto et al. | D26/42 |
| D475,150 | S * | 5/2003 | Yuen | D26/42 |
| 6,585,392 | B1 | 7/2003 | Shiau et al. | |
| D491,682 | S * | 6/2004 | Hirano | D26/42 |
| 2001/0042842 | A1 | 11/2001 | Leighley et al. | |
| 2004/0256581 | A1 | 12/2004 | Au et al. | |

OTHER PUBLICATIONS

Information sheet on "Germ Eliminator" with photos of a device sold by Applicant in 2003. This prior device does not have a slotted main lens or a flashlight or a three-position switch, prior to Dec. 20, 2005.

* cited by examiner

Primary Examiner—Marcus A. Jackson

(74) *Attorney, Agent, or Firm*—John V. Stewart

(57) **CLAIM**

I claim the ornamental design for a portable germicidal lamp with slotted lens and flashlight, as shown and described.

DESCRIPTION

FIG. 1 is a front /upper perspective view of a portable germicidal lamp with slotted lens and flashlight according to the invention;

FIG. 2 is a front view;

FIG. 3 is a back view;

FIG. 4 is a top view;

FIG. 5 is a bottom view;

FIG. 6 is a right side view;

FIG. 7 is a sectional view taken along line 7—7 in FIG. 4; and,

FIG. 8 is a left side view.

The sectional view of FIG. 7 is provided only for the purpose of additional disclosure of the shape of the invention.

1 Claim, 2 Drawing Sheets

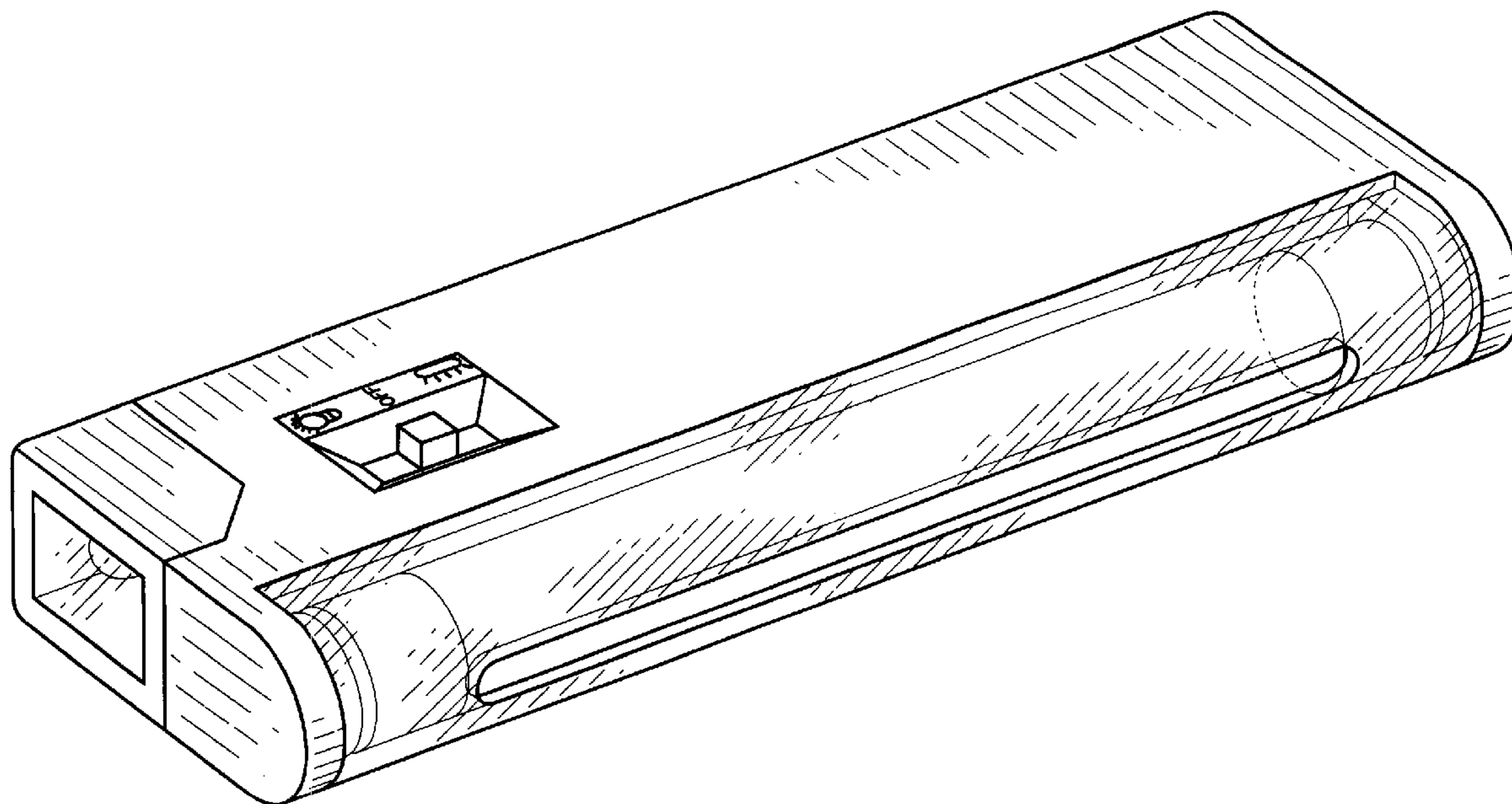


FIG 1

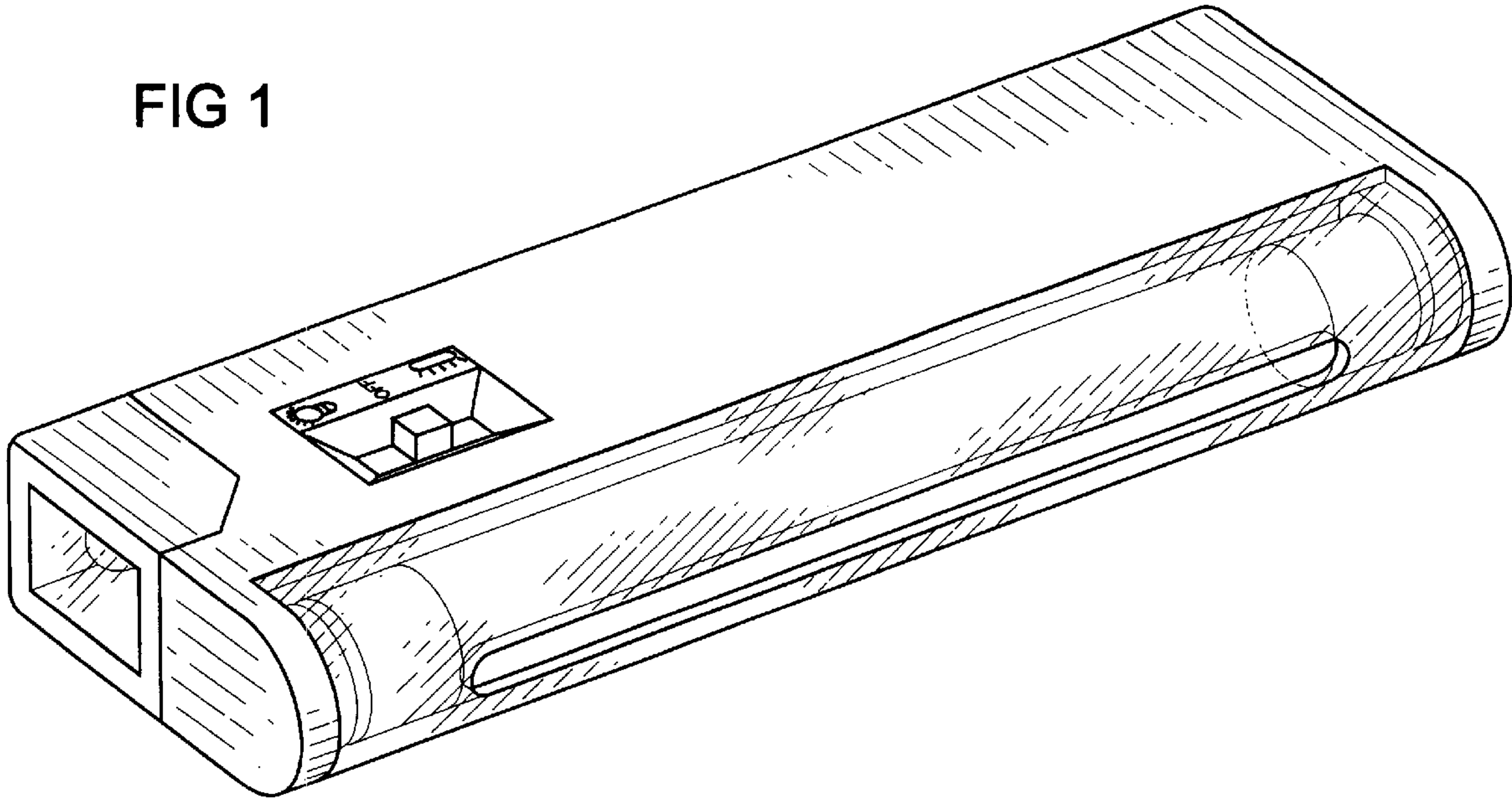


FIG 2

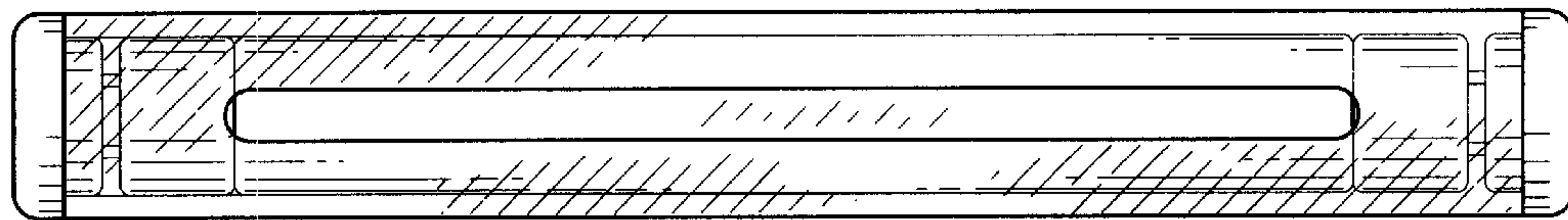


FIG 3

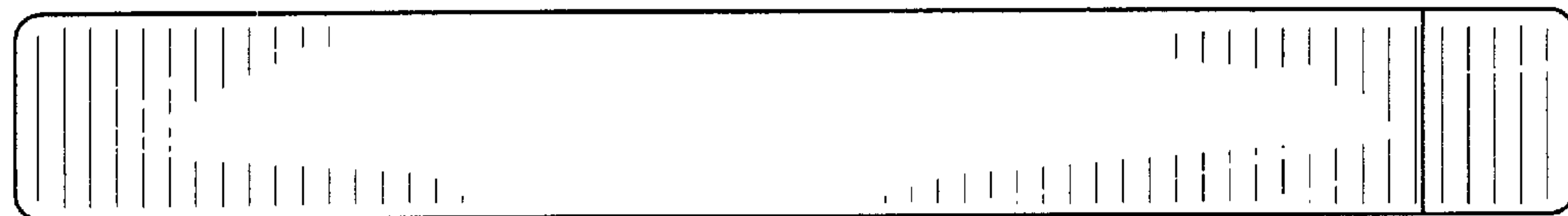


FIG 4

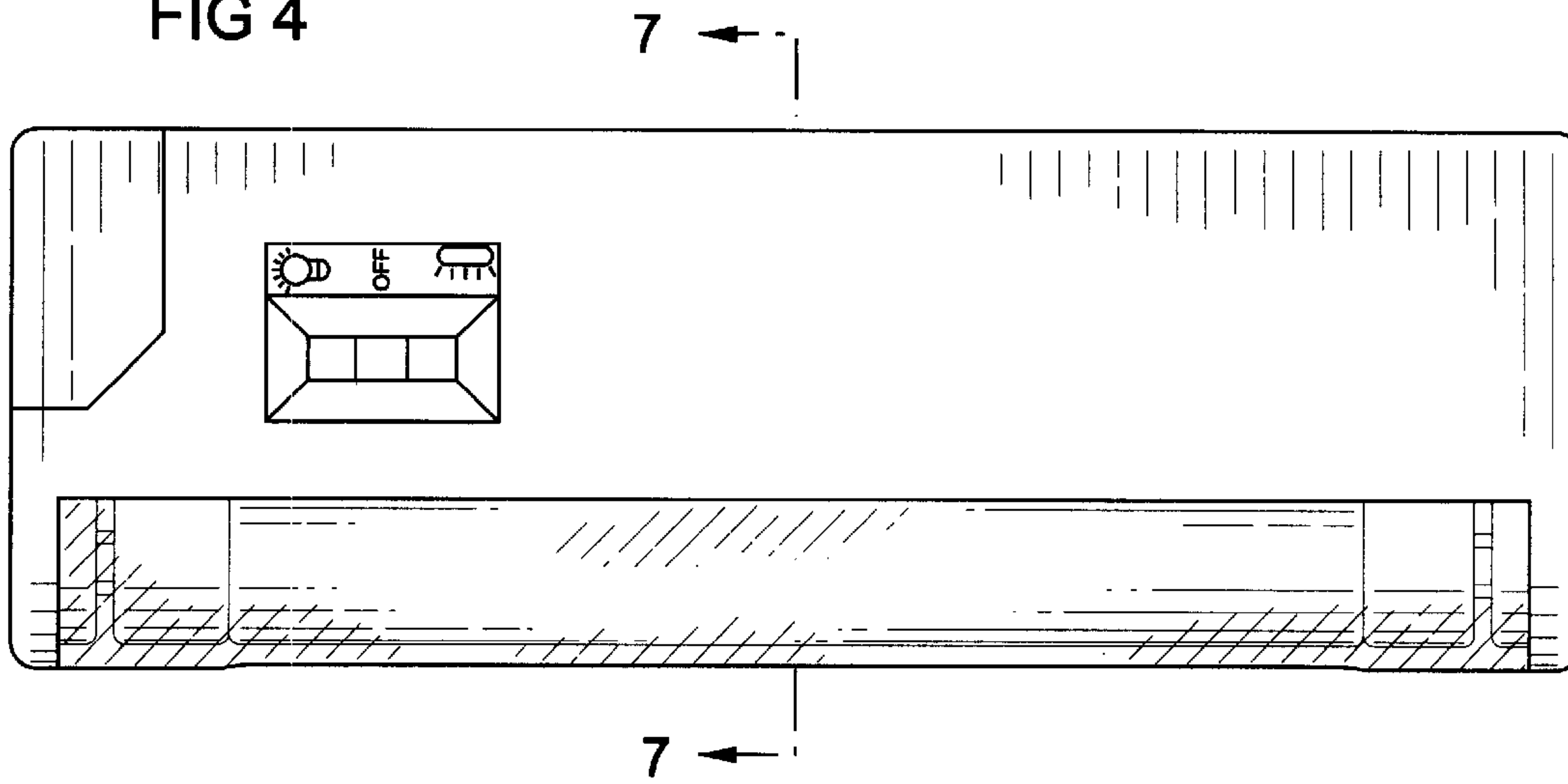


FIG 5

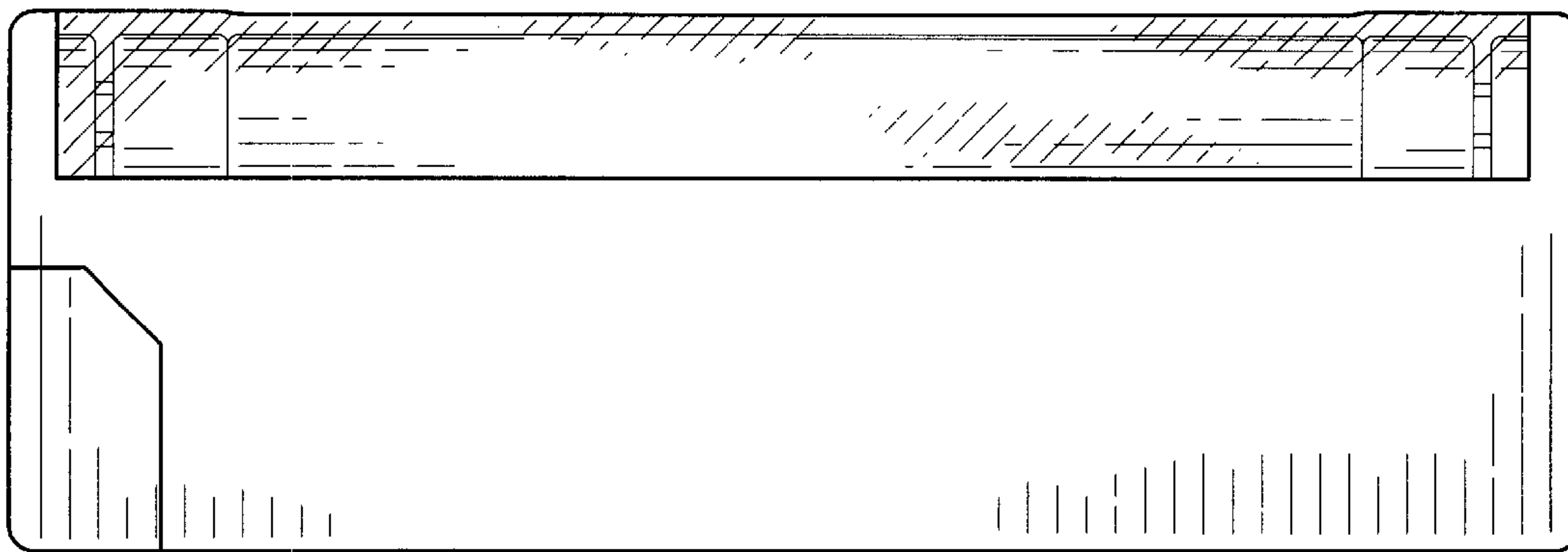


FIG 6

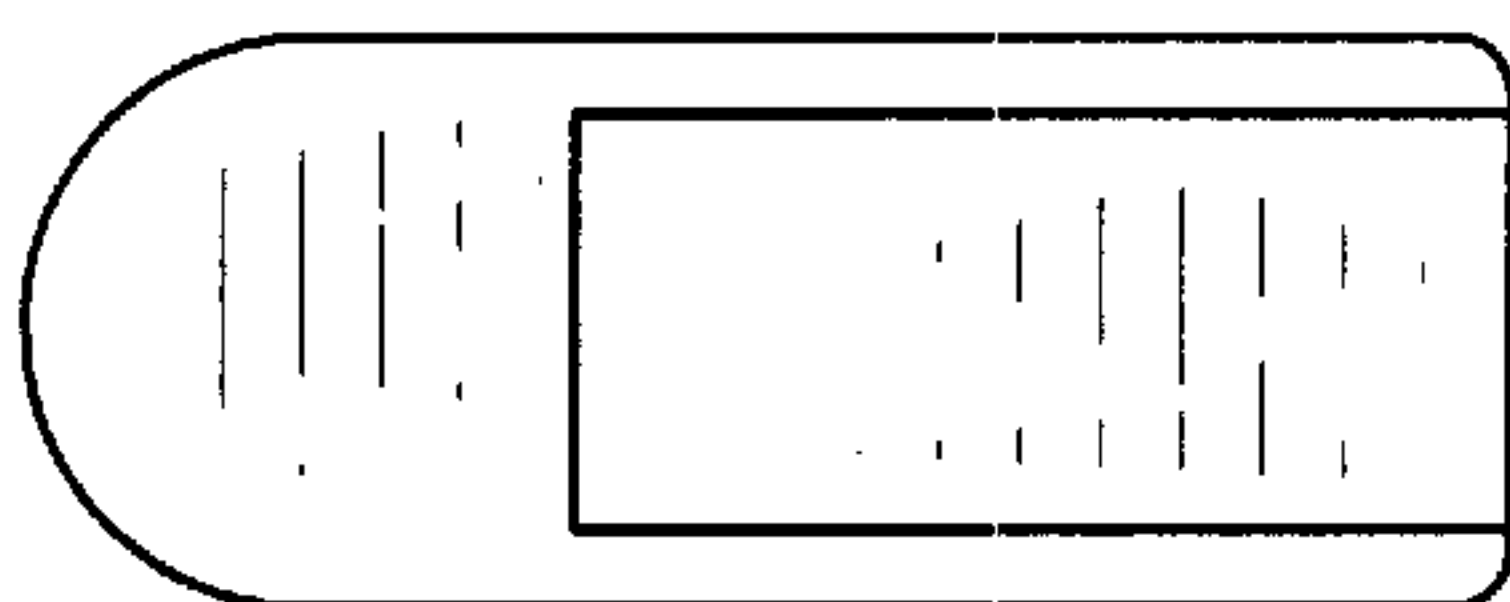


FIG 7

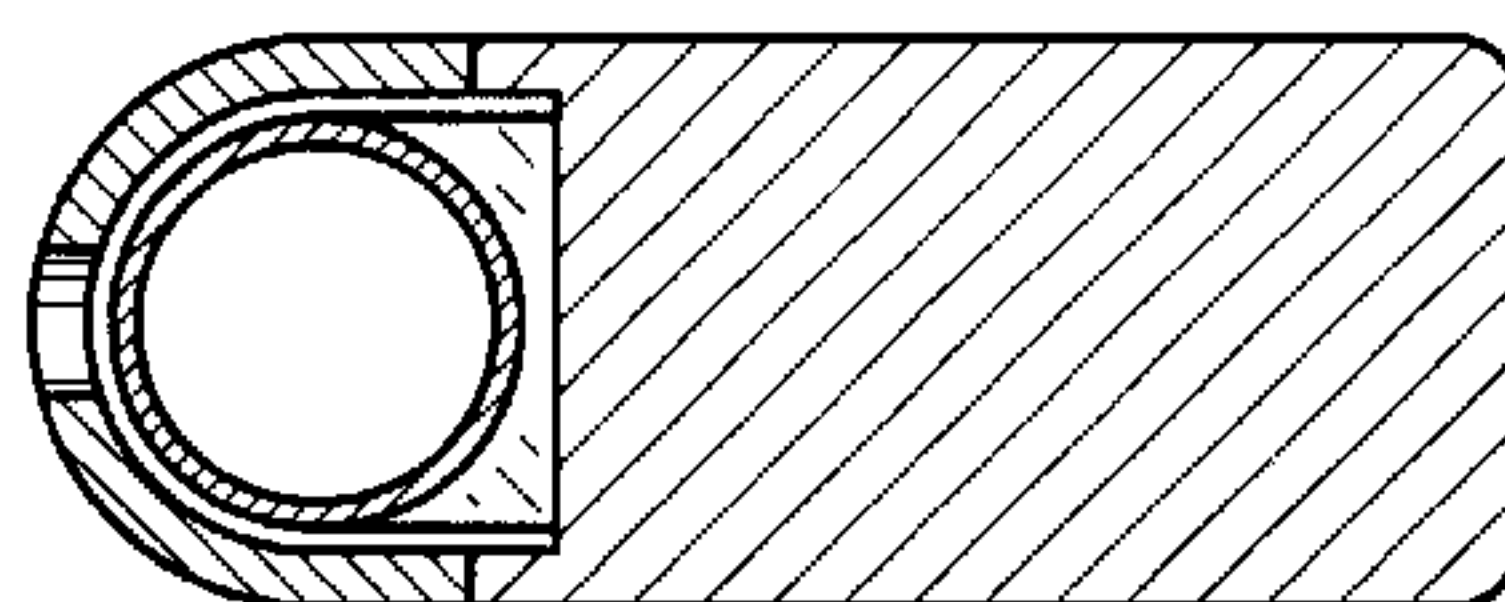


FIG 8

