



US00D532537S

(12) **United States Design Patent**  
**Shiu**

(10) **Patent No.:** **US D532,537 S**

(45) **Date of Patent:** **\*\* Nov. 21, 2006**

(54) **PORTABLE LIGHT SOURCE**

(75) Inventor: **Stephanie Wai Man Shiu**, Kowloon (HK)

(73) Assignee: **Gold Coral International Limited**, Kowloon (HK)

(\*\*) Term: **14 Years**

(21) Appl. No.: **29/242,438**

(22) Filed: **Nov. 9, 2005**

(30) **Foreign Application Priority Data**

May 10, 2005 (HK) ..... 0501075

(51) **LOC (8) Cl.** ..... **26-02**

(52) **U.S. Cl.** ..... **D26/39**

(58) **Field of Classification Search** ..... D26/37-50;  
362/157, 158, 171-174, 183-208  
See application file for complete search history.

(56) **References Cited**

**U.S. PATENT DOCUMENTS**

D482,473 S \* 11/2003 Shiu ..... D26/39  
D482,811 S \* 11/2003 Petzl ..... D26/39

D498,863 S \* 11/2004 Poon ..... D26/28  
D503,817 S \* 4/2005 Shiu ..... D26/39  
D506,846 S \* 6/2005 Kang et al. .... D26/39  
D520,656 S \* 5/2006 Shiu ..... D26/28

\* cited by examiner

*Primary Examiner*—Marcus A. Jackson

(74) *Attorney, Agent, or Firm*—Mitchell Silberberg & Knupp LLP

(57) **CLAIM**

The ornamental design for a portable light source, as shown and described.

**DESCRIPTION**

FIG. 1 is a front elevational view of a portable light source according to the present invention.

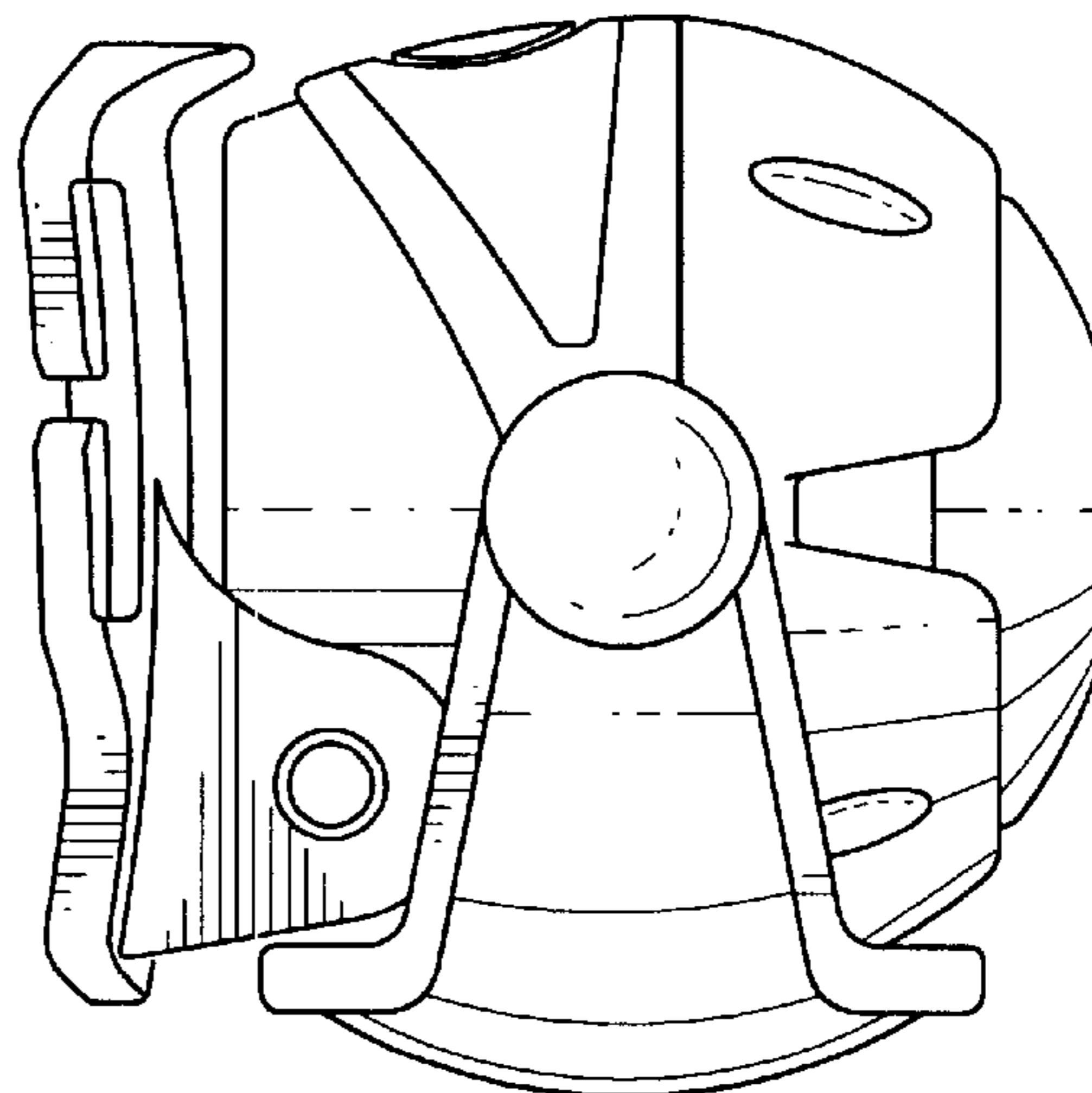
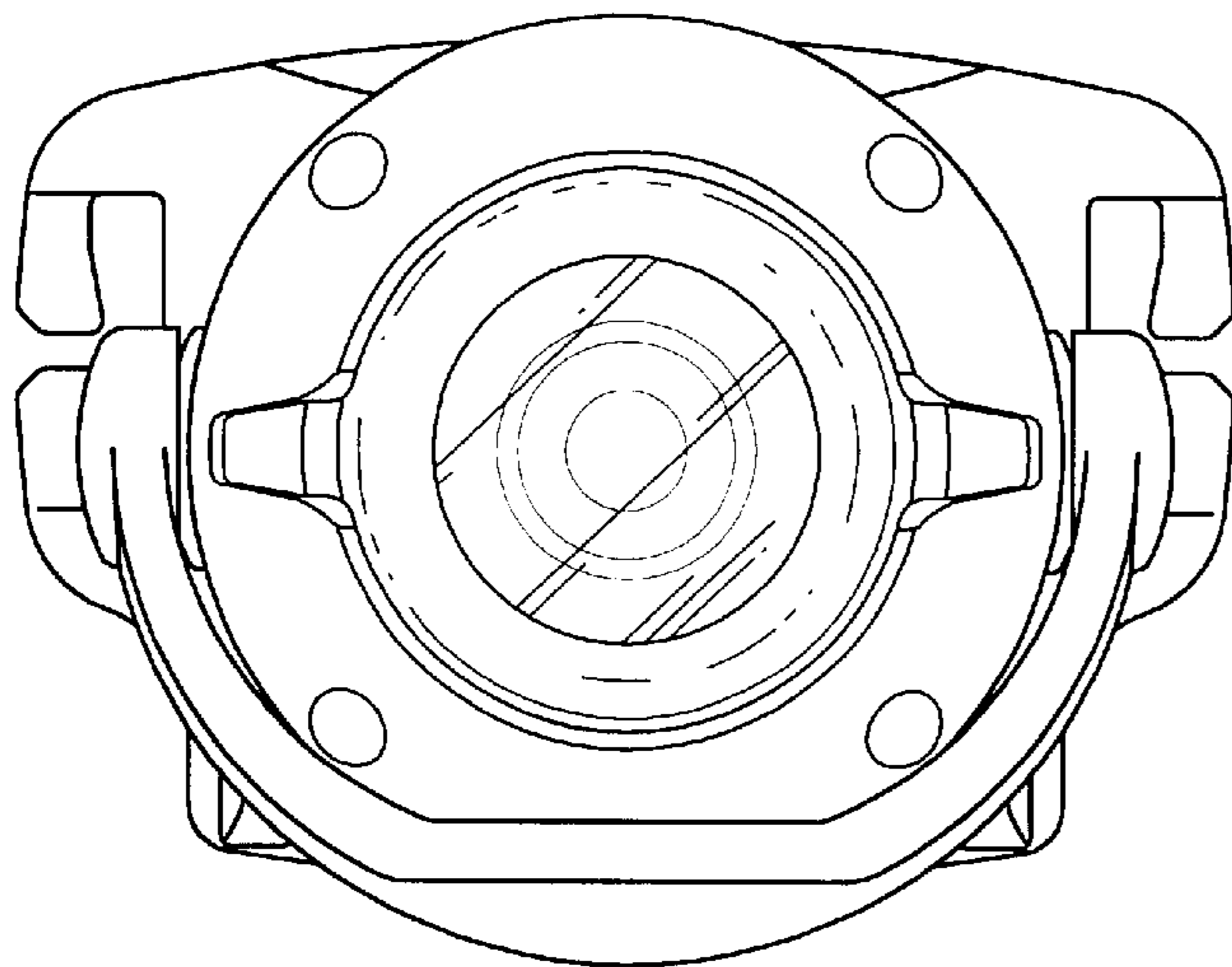
FIG. 2 is a rear elevational view of the portable light source.

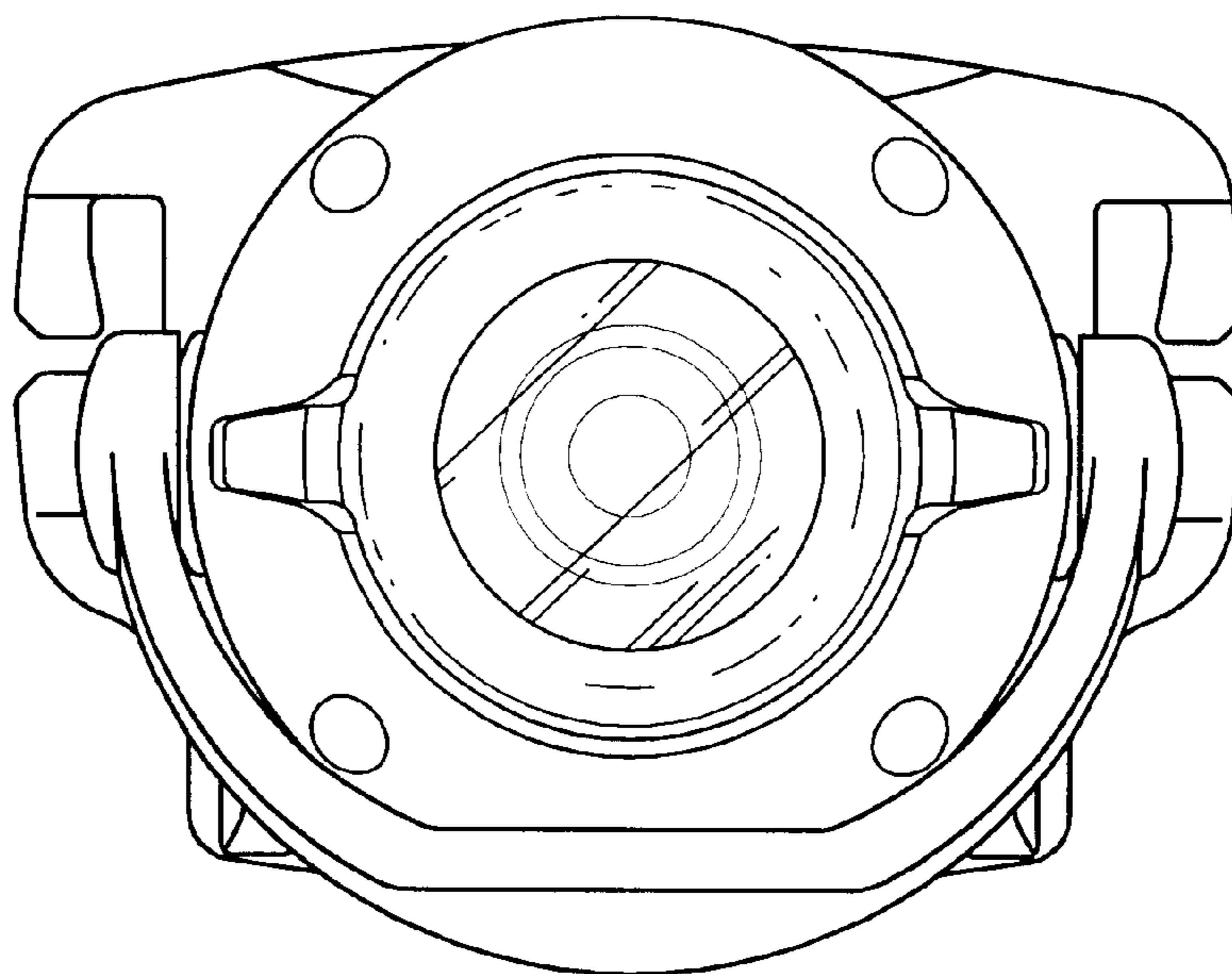
FIG. 3 is a top plan view of the portable light source.

FIG. 4 is a bottom plan view of the portable light source; and,

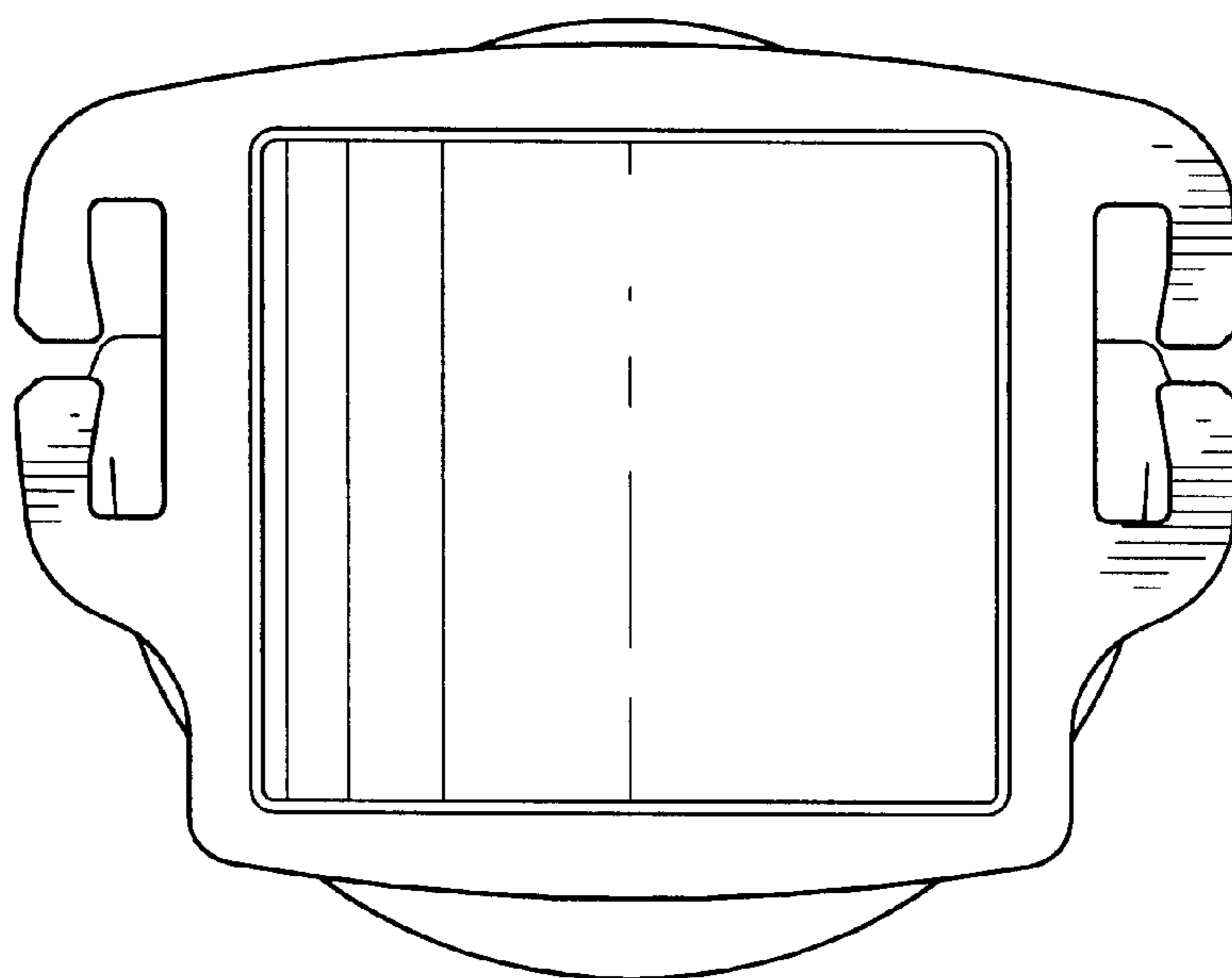
FIG. 5 is a right side elevational view of the portable light source, with the left side elevational view being the mirror image.

**1 Claim, 2 Drawing Sheets**

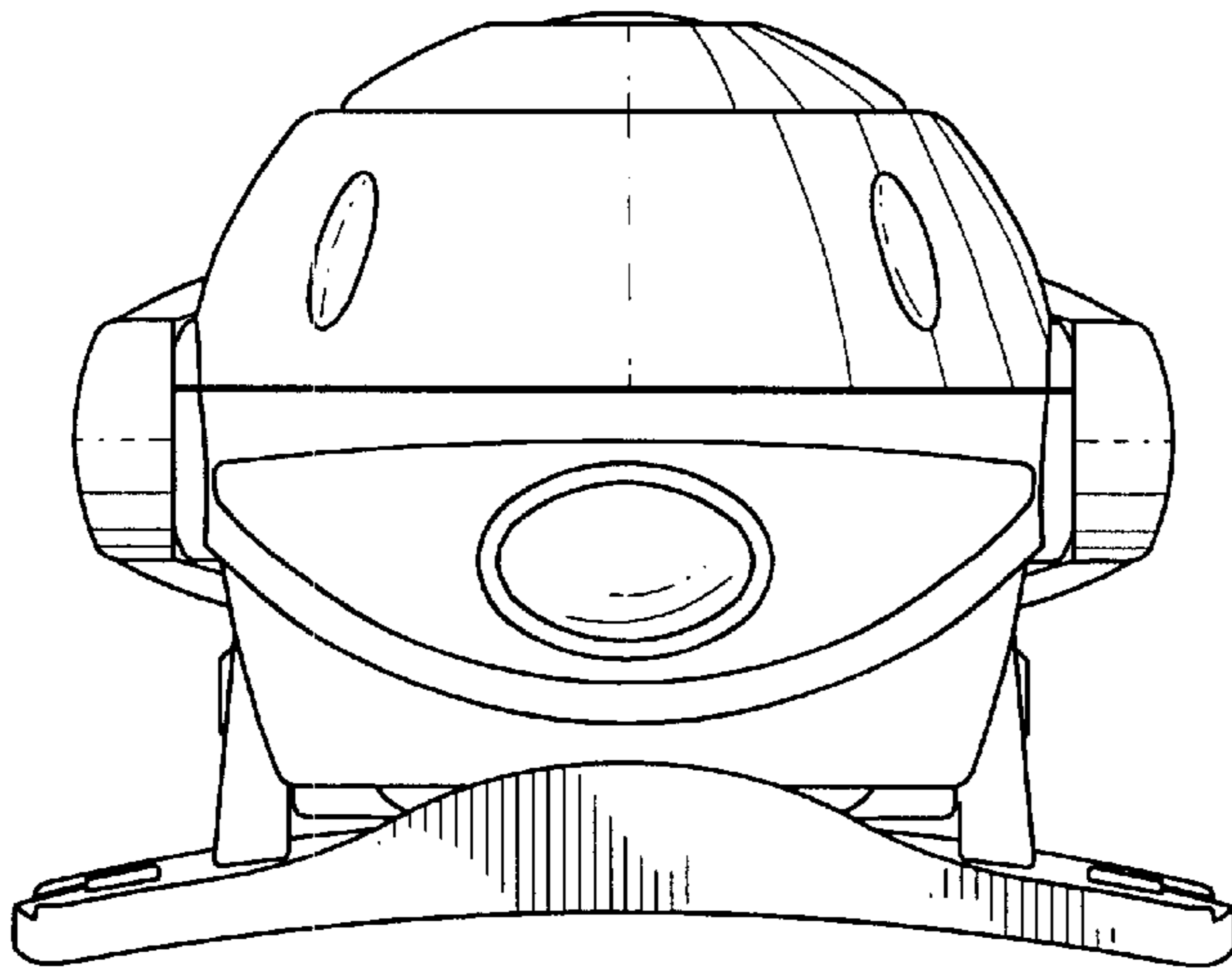




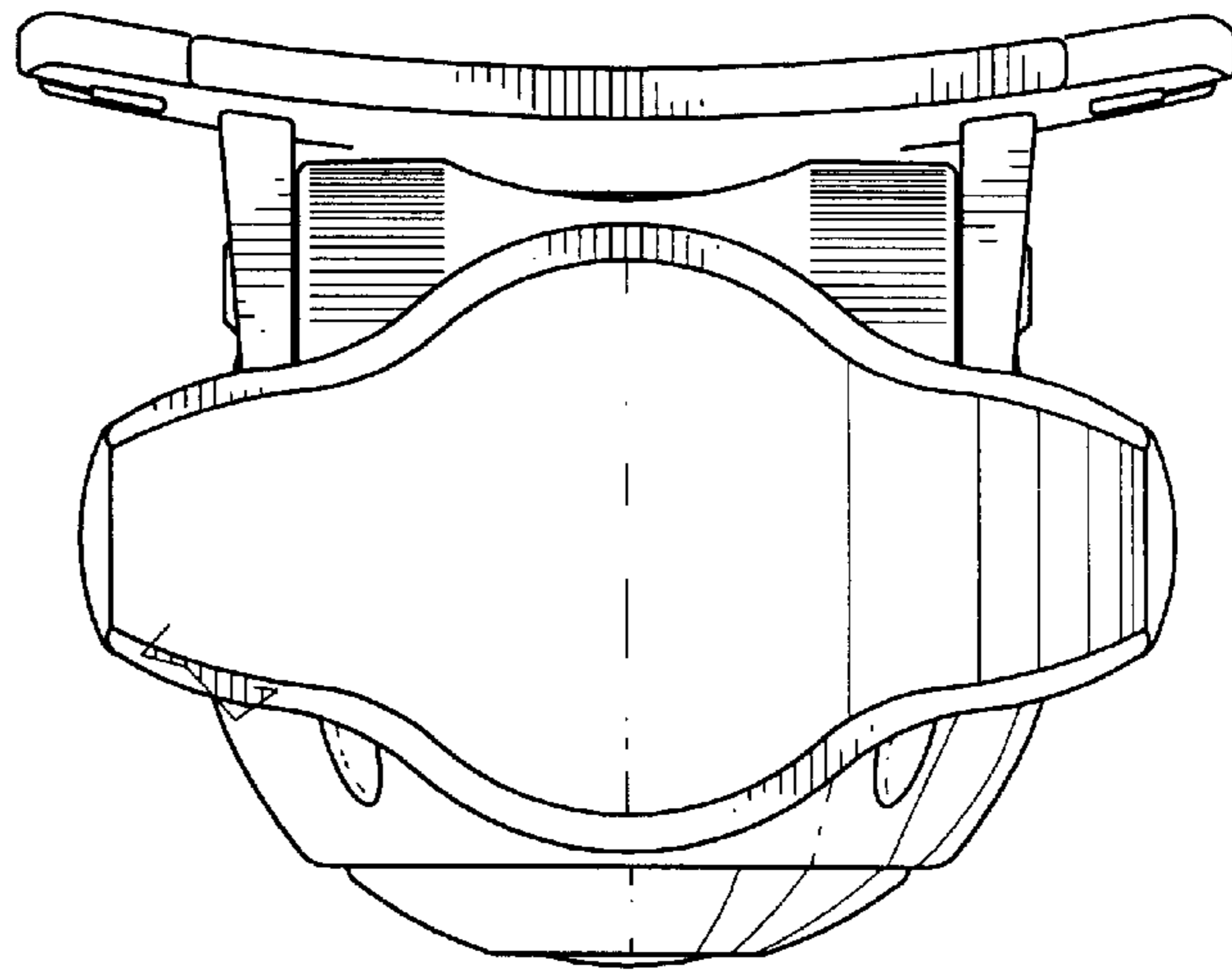
*FIG. 1*



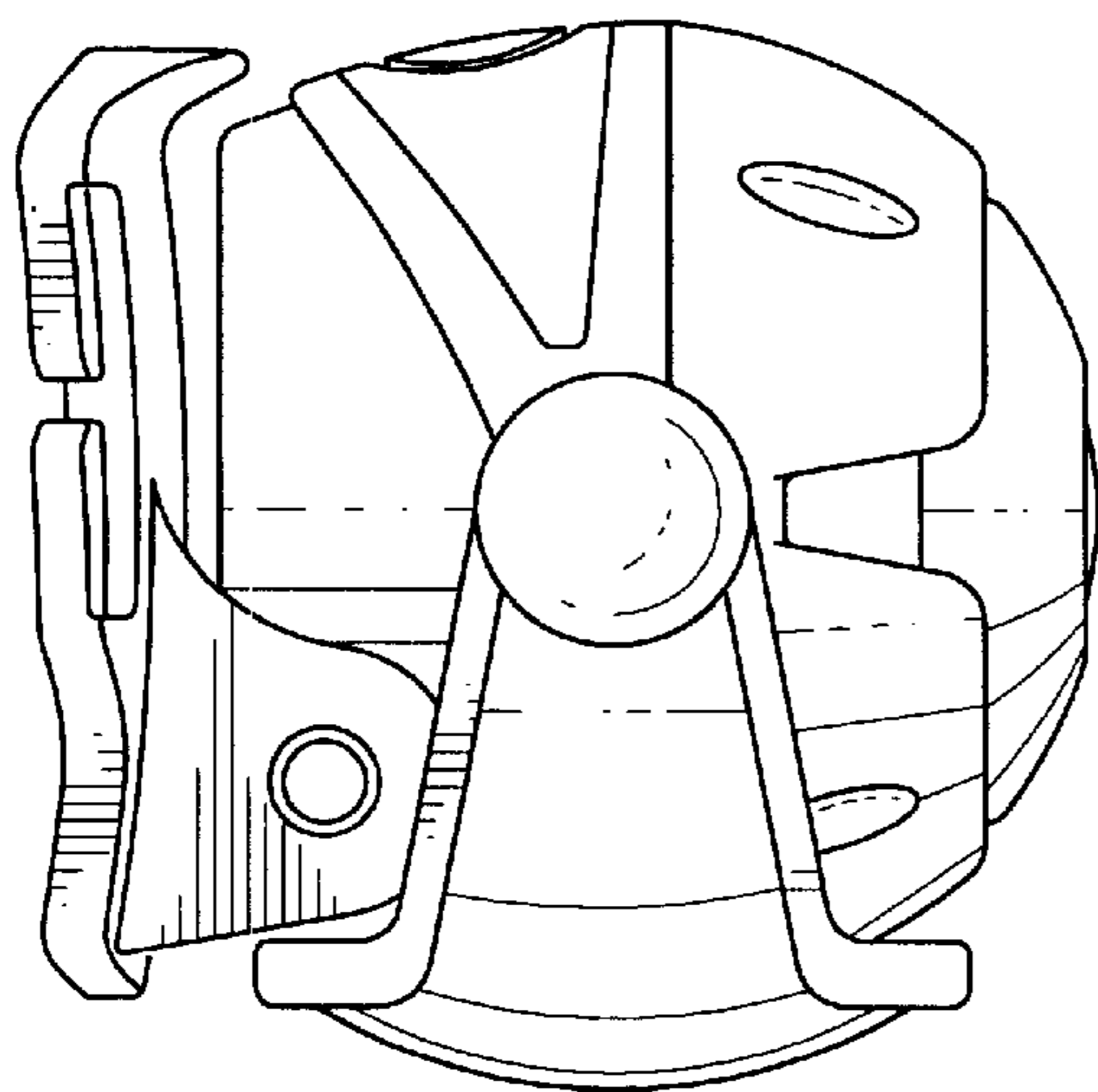
*FIG. 2*



*FIG. 3*



*FIG. 4*



*FIG. 5*