

US00D532536S

(12) **United States Design Patent**
Krieger et al.

(10) **Patent No.:** **US D532,536 S**

(45) **Date of Patent:** **** Nov. 21, 2006**

(54) **TV LAMP**

DESCRIPTION

(75) Inventors: **Michael Krieger**, Miami Beach, FL (US); **Kevin Ellsworth**, Alva, FL (US)

(73) Assignee: **Vector Products, Inc.**, Ft. Lauderdale, FL (US)

(**) Term: **14 Years**

(21) Appl. No.: **29/241,677**

(22) Filed: **Nov. 1, 2005**

(51) **LOC (8) Cl.** **26-02**

(52) **U.S. Cl.** **D26/38**

(58) **Field of Classification Search** D26/37-50;
362/157, 158, 171-174, 183-208
See application file for complete search history.

(56) **References Cited**

U.S. PATENT DOCUMENTS

D471,525 S	*	3/2003	Tse	D14/129
D485,383 S	*	1/2004	Hanselman et al.	D26/38
D488,140 S	*	4/2004	Hanselman et al.	D14/129
D498,316 S	*	11/2004	Yuen	D26/38

* cited by examiner

Primary Examiner—Marcus A. Jackson

(74) *Attorney, Agent, or Firm*—Venable LLP; Robert Kinberg; Manni Li

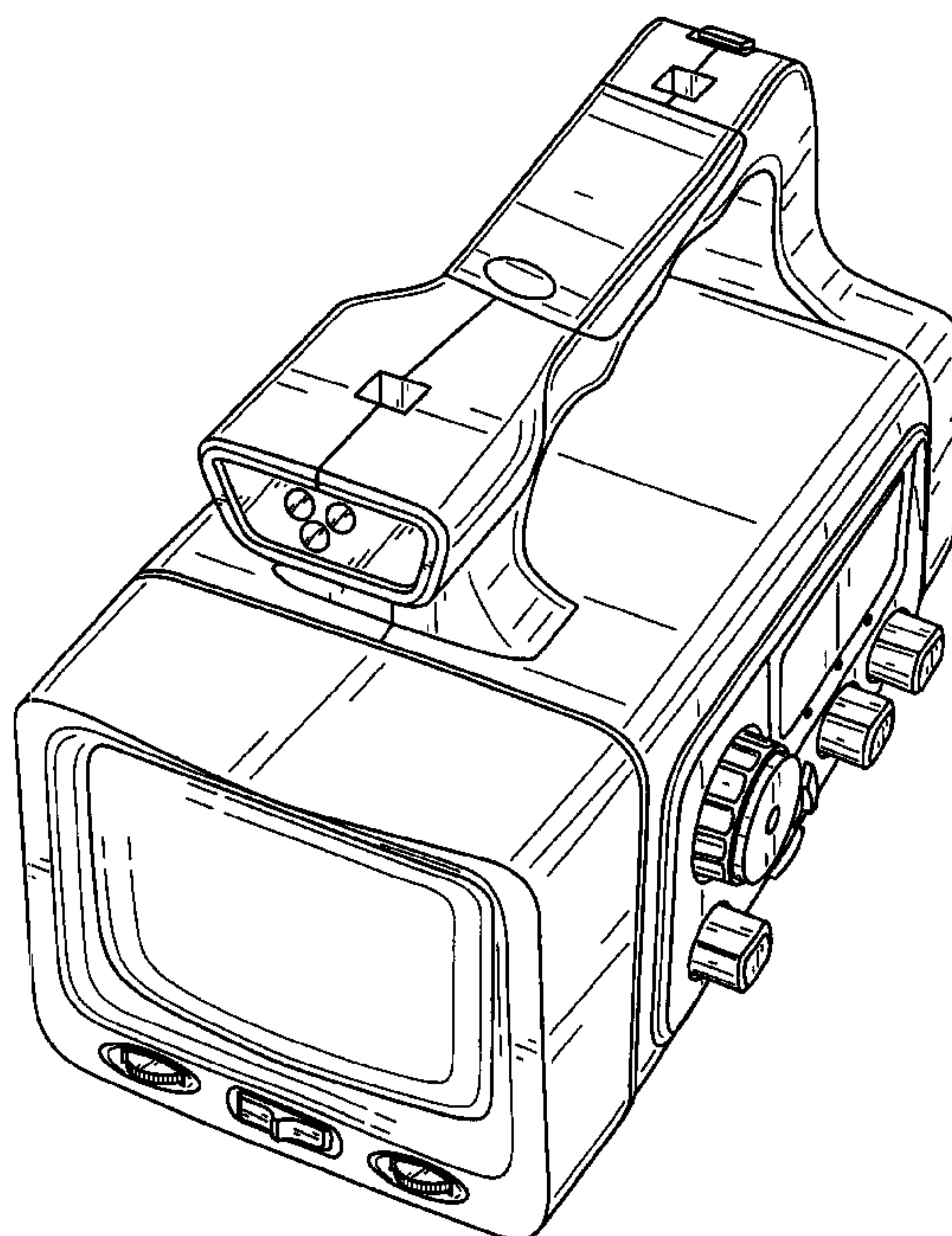
(57) **CLAIM**

The ornamental design for a TV lamp, as shown and described.

FIG. 1 is a perspective view from the front-top-right side of the TV lamp showing a first embodiment of our new design; FIG. 2 is a front view of the design shown in FIG. 1; FIG. 3 is a rear view of the design shown in FIG. 1; FIG. 4 is a left side view of the design shown in FIG. 1; FIG. 5 is a right side view of the design shown in FIG. 1; FIG. 6 is a top view of the design shown in FIG. 1; FIG. 7 is a bottom view of the design shown in FIG. 1; FIG. 8 is a perspective view from the front-top-right side of the TV lamp showing a second embodiment of our new design; FIG. 9 is a front view of the design shown in FIG. 8; FIG. 10 is a rear view of the design shown in FIG. 8; FIG. 11 is a left side view of the design shown in FIG. 8; FIG. 12 is a right side view of the design shown in FIG. 8; FIG. 13 is a top view of the design shown in FIG. 8; FIG. 14 is a bottom view of the design shown in FIG. 8; FIG. 15 is a perspective view from the front-top-right side of the TV lamp showing a third embodiment of our new design; FIG. 16 is a front view of the design shown in FIG. 15; FIG. 17 is a rear view of the design shown in FIG. 15; FIG. 18 is a left side view of the design shown in FIG. 15; FIG. 19 is a right side view of the design shown in FIG. 15; and, FIG. 20 is a top view of the design shown in FIG. 15.

The broken lines immediately adjacent the shaded areas represent the bounds of the claimed design while all other broken lines are for illustrative purposes only; the broken lines form no part of the claimed design.

1 Claim, 20 Drawing Sheets



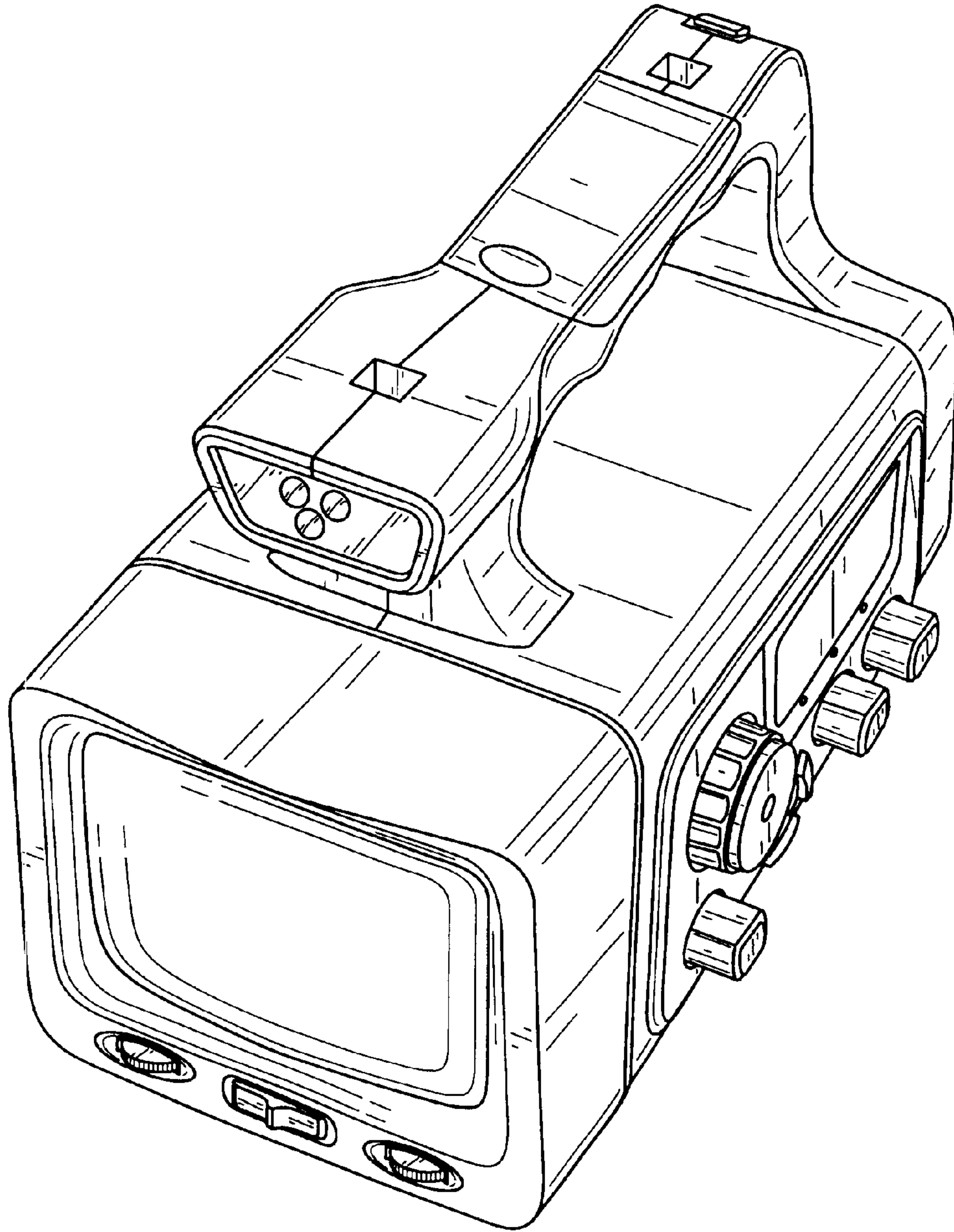


FIG. 1

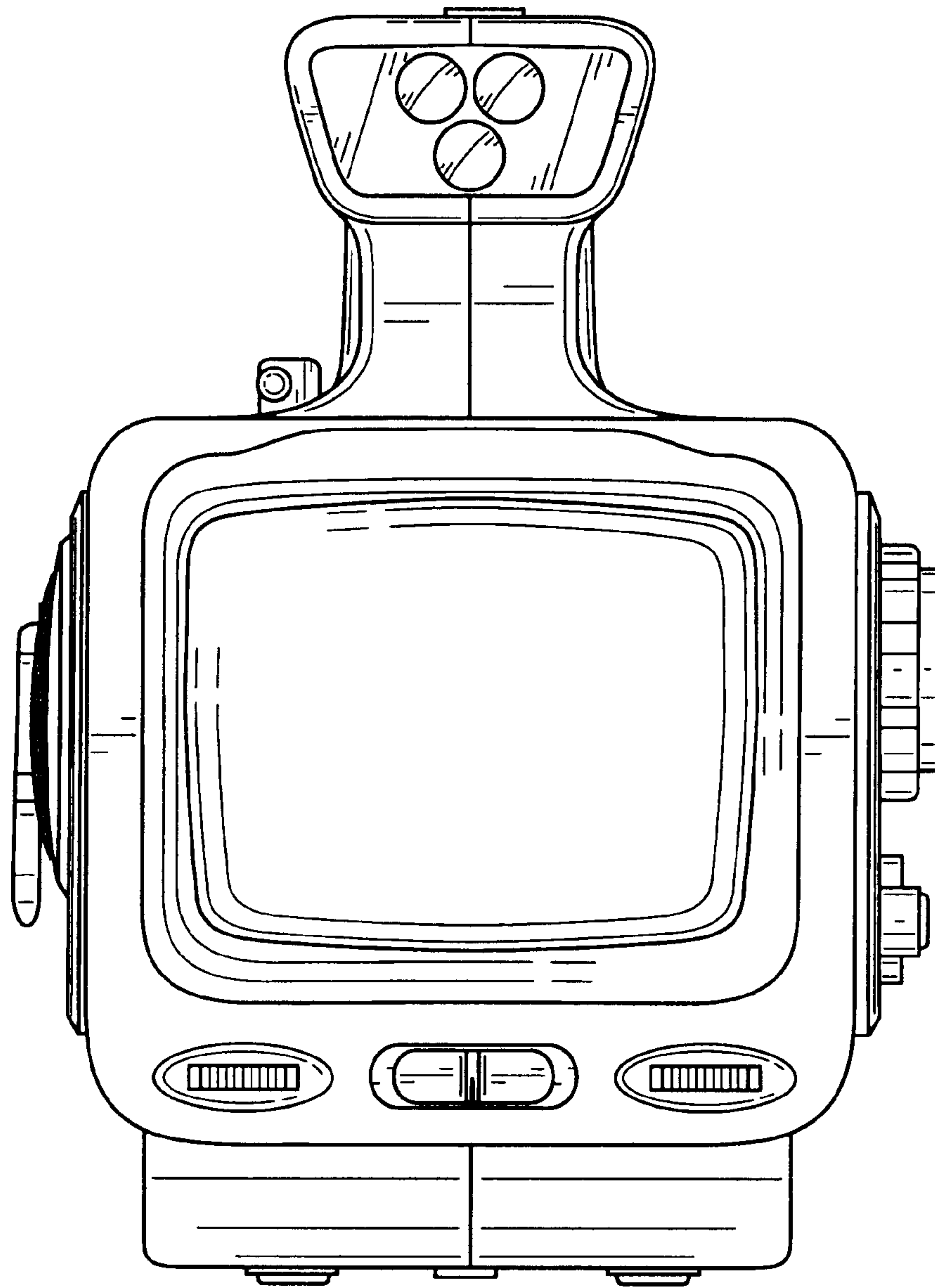


FIG. 2

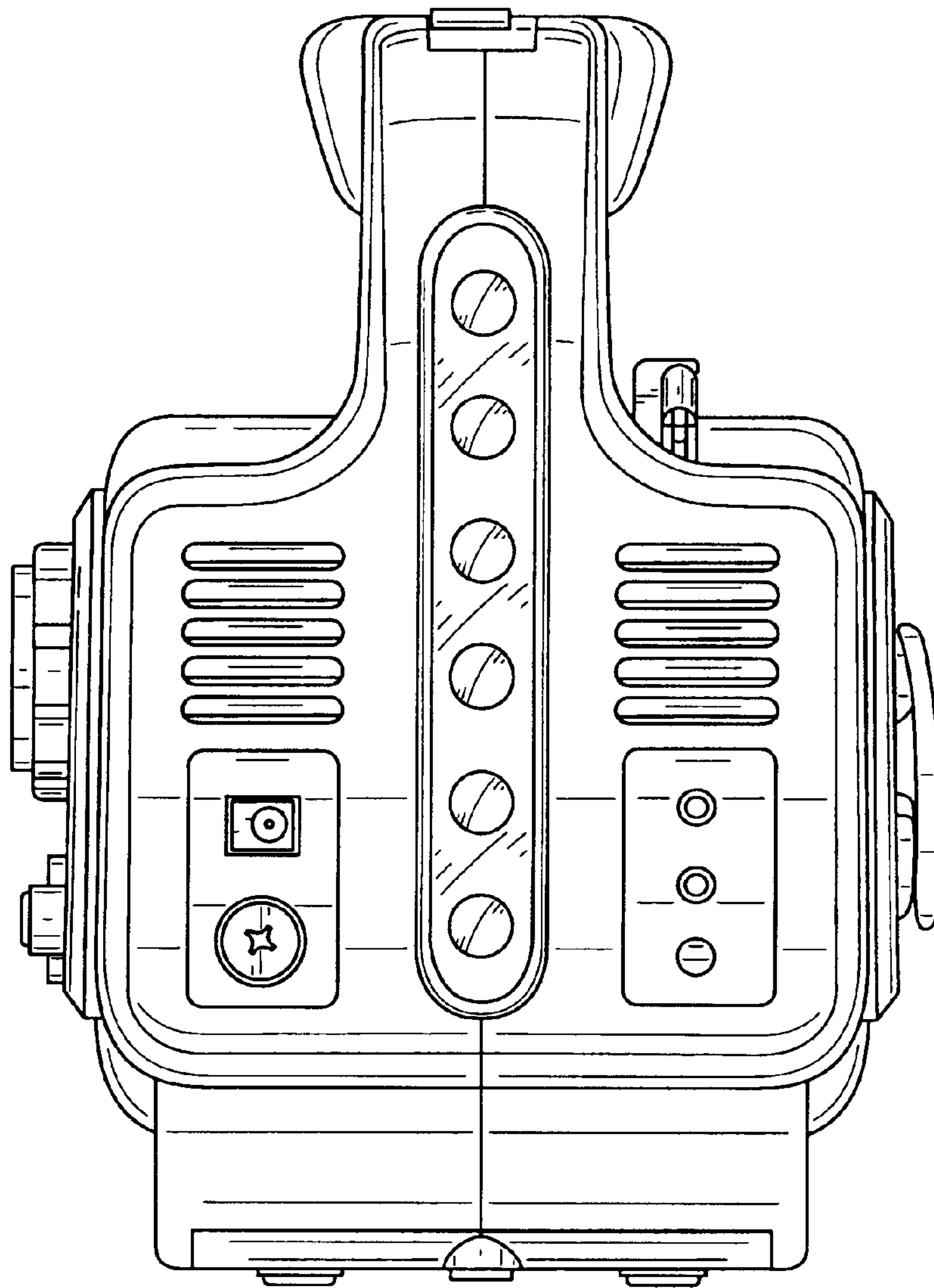


FIG. 3

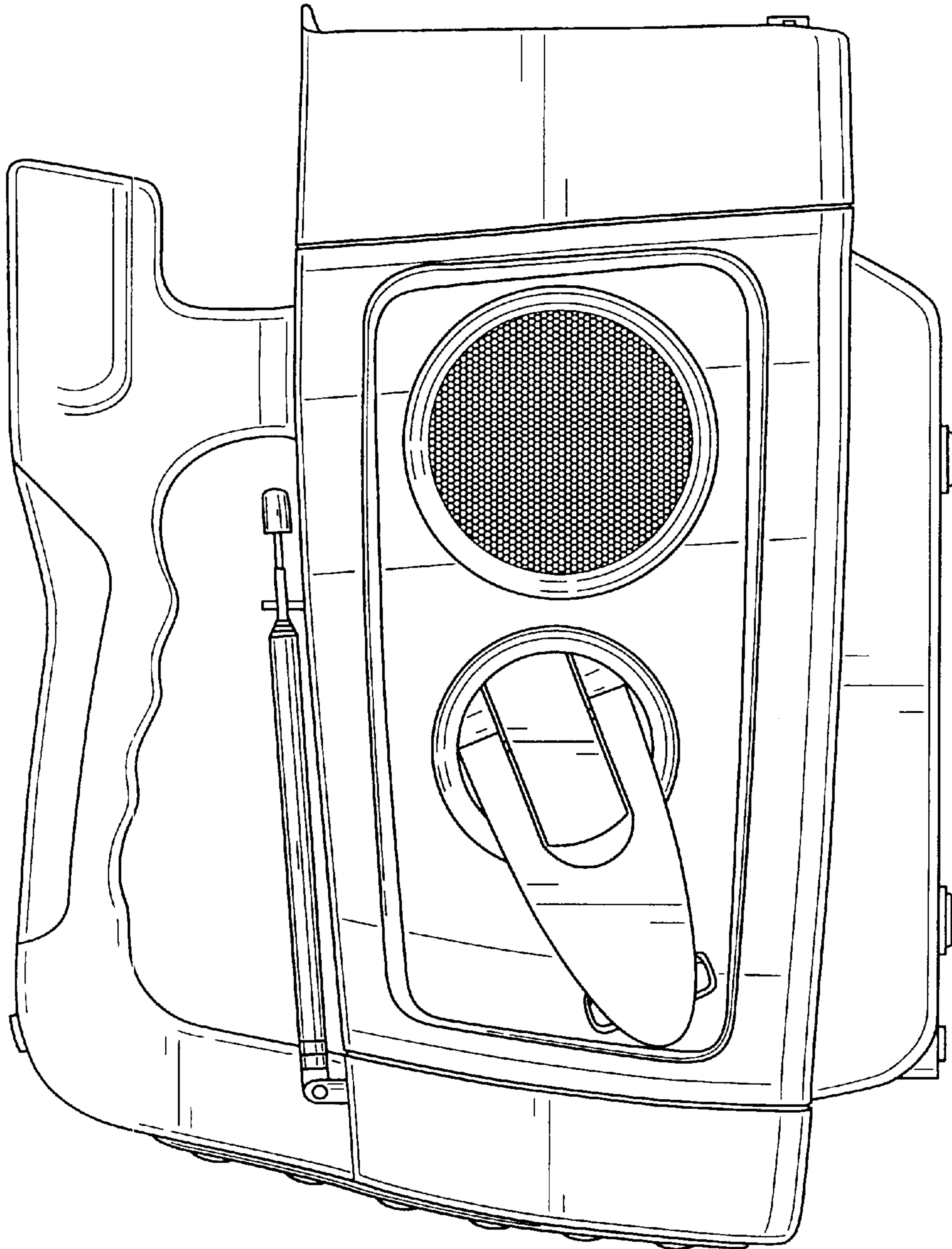


FIG. 4

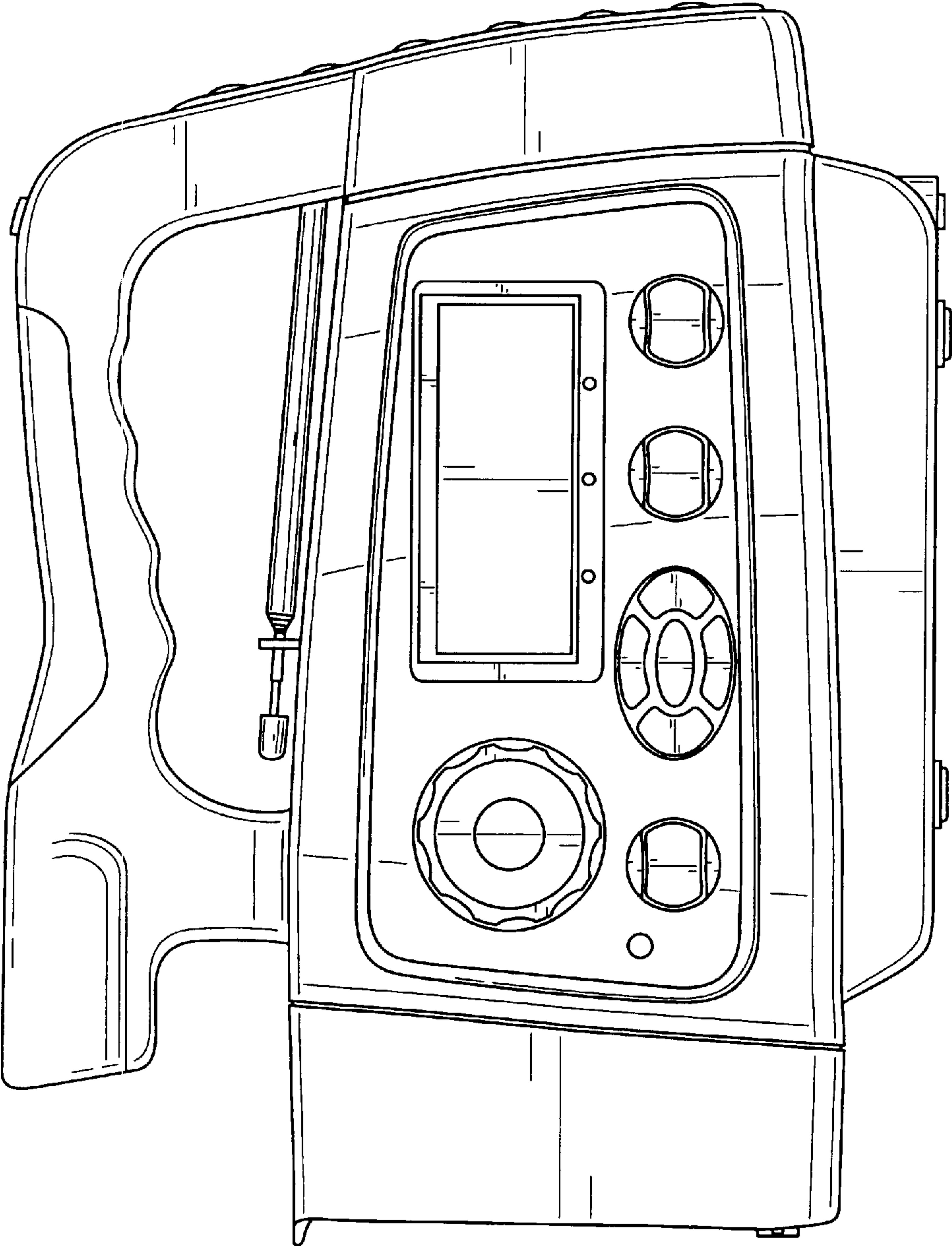


FIG. 5

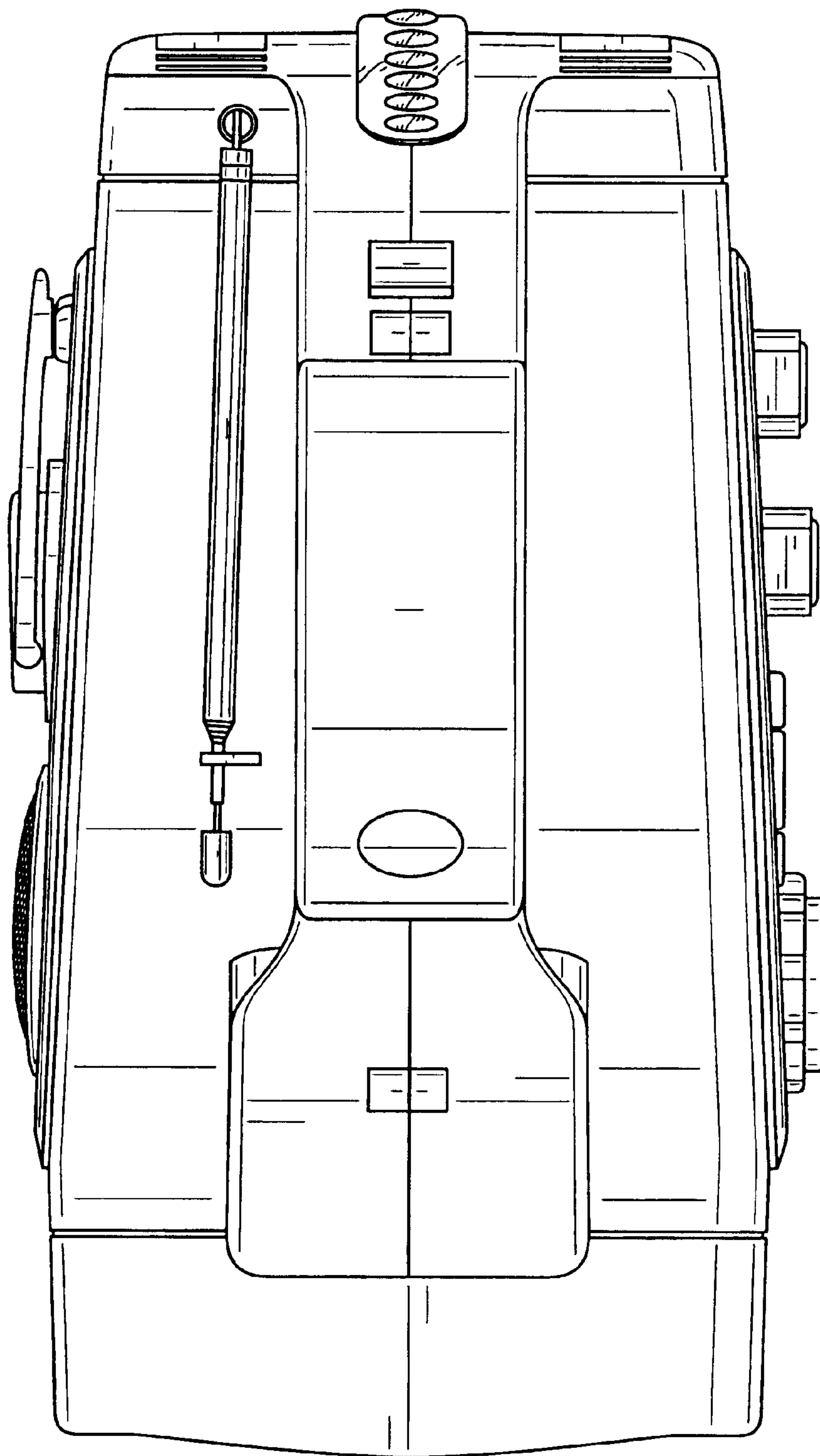


FIG. 6

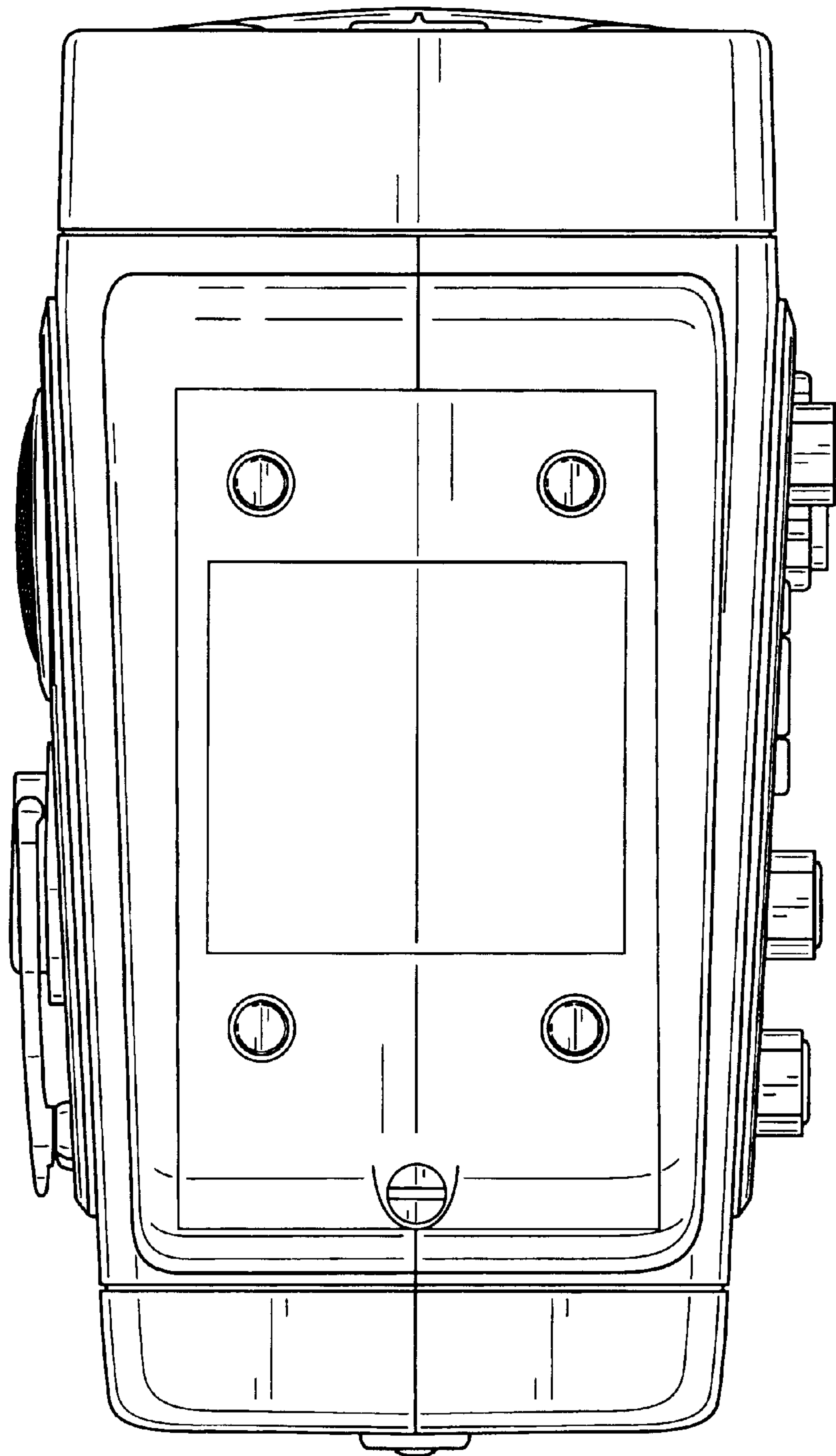


FIG. 7

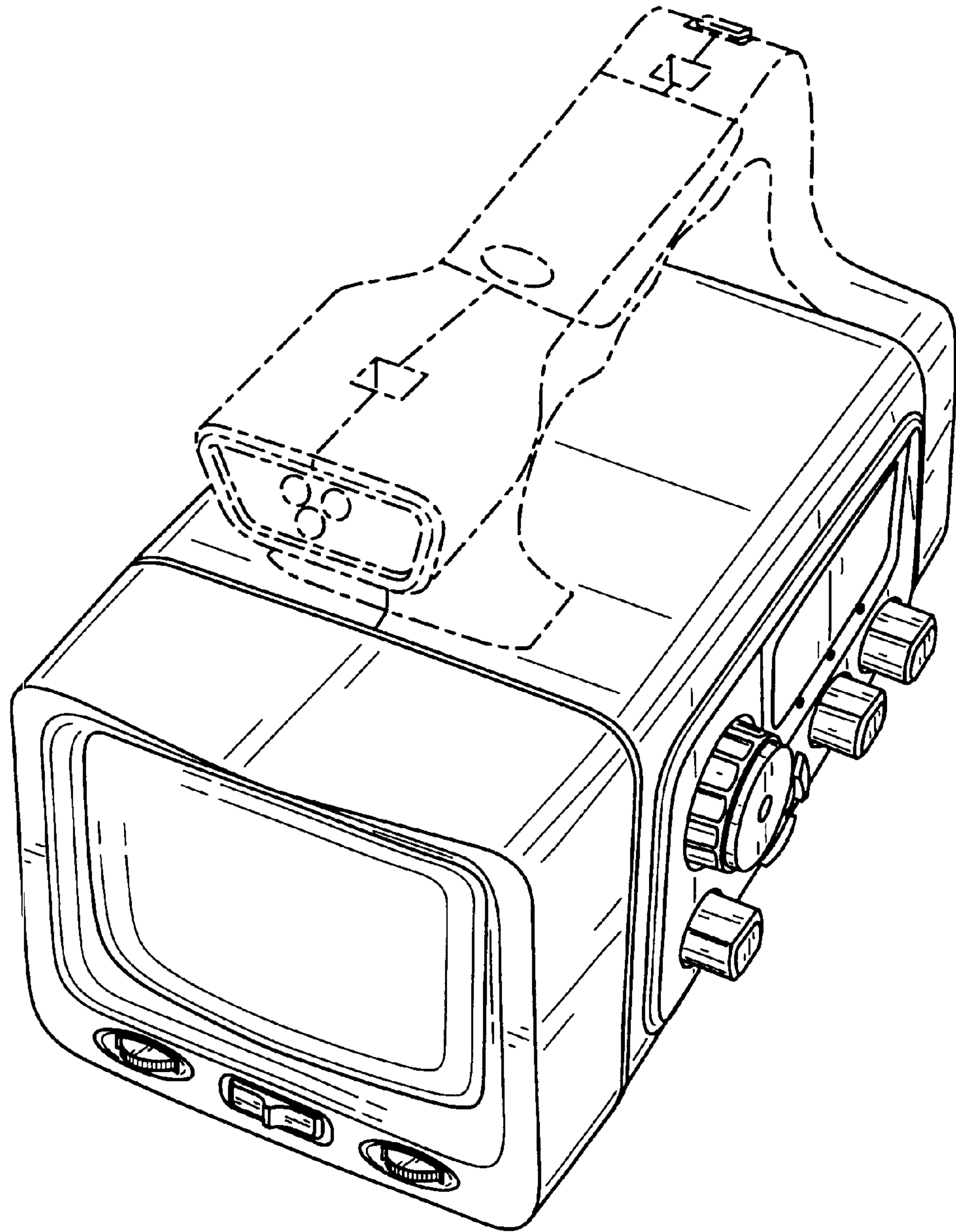


FIG. 8

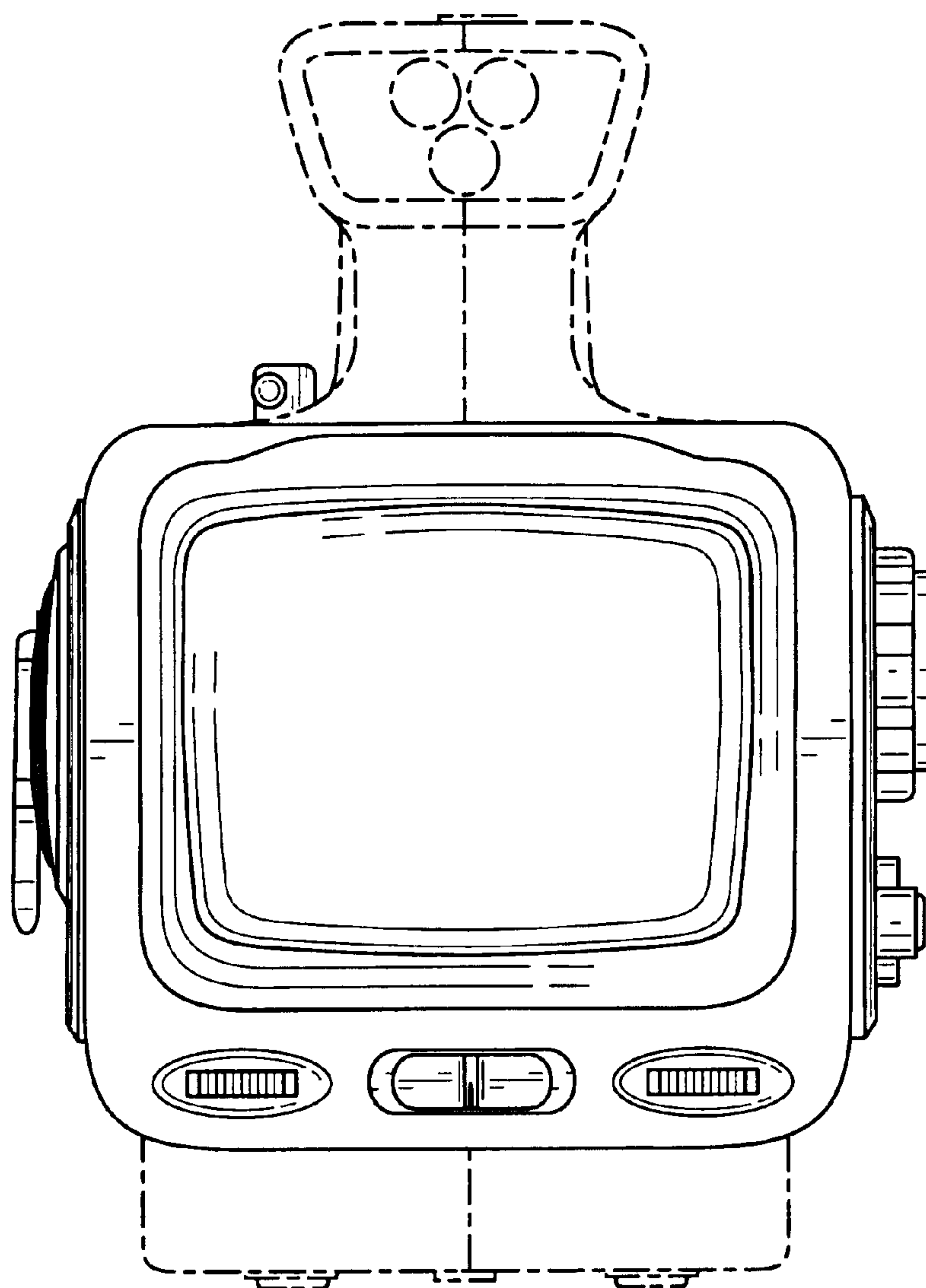


FIG. 9

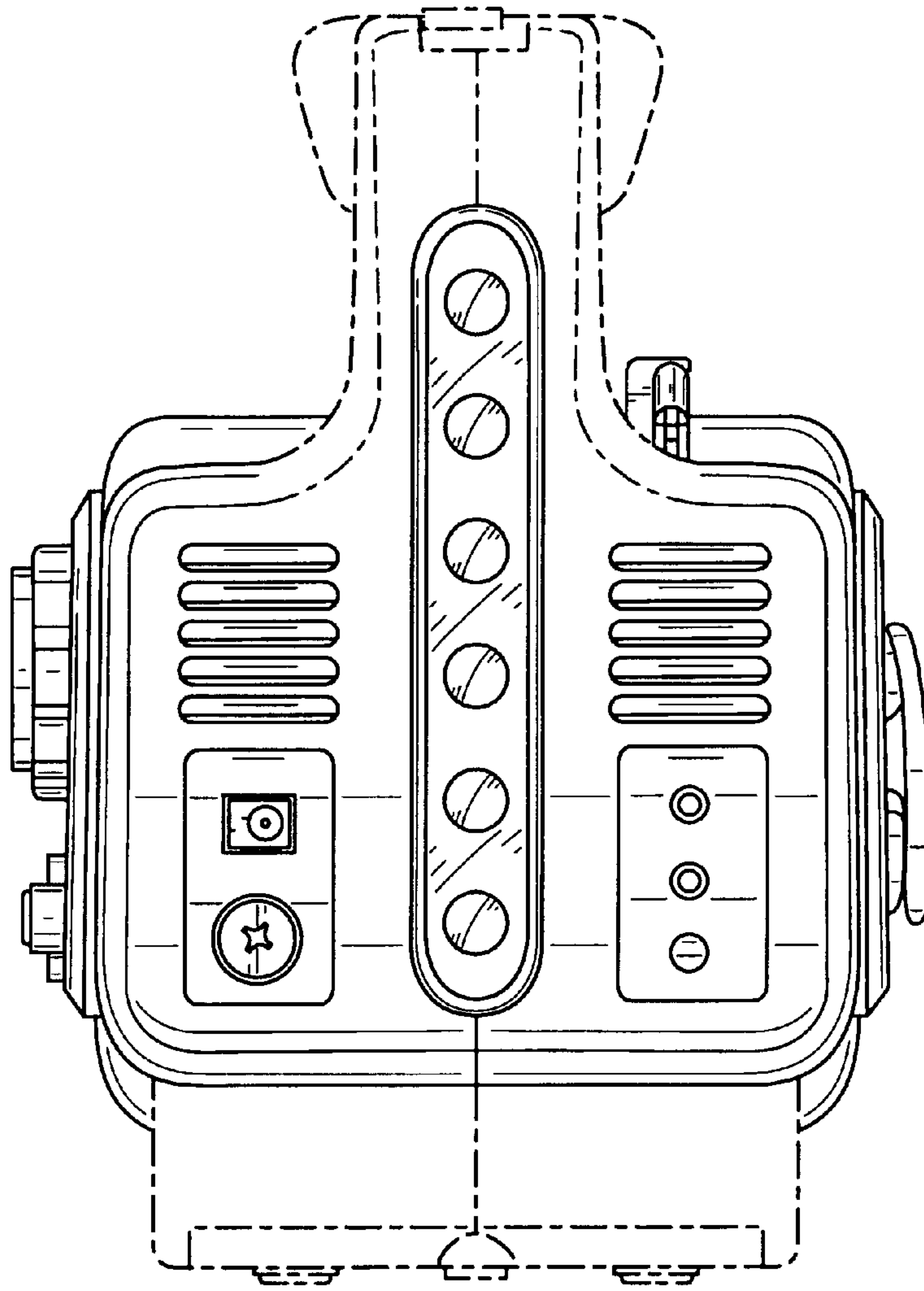


FIG. 10

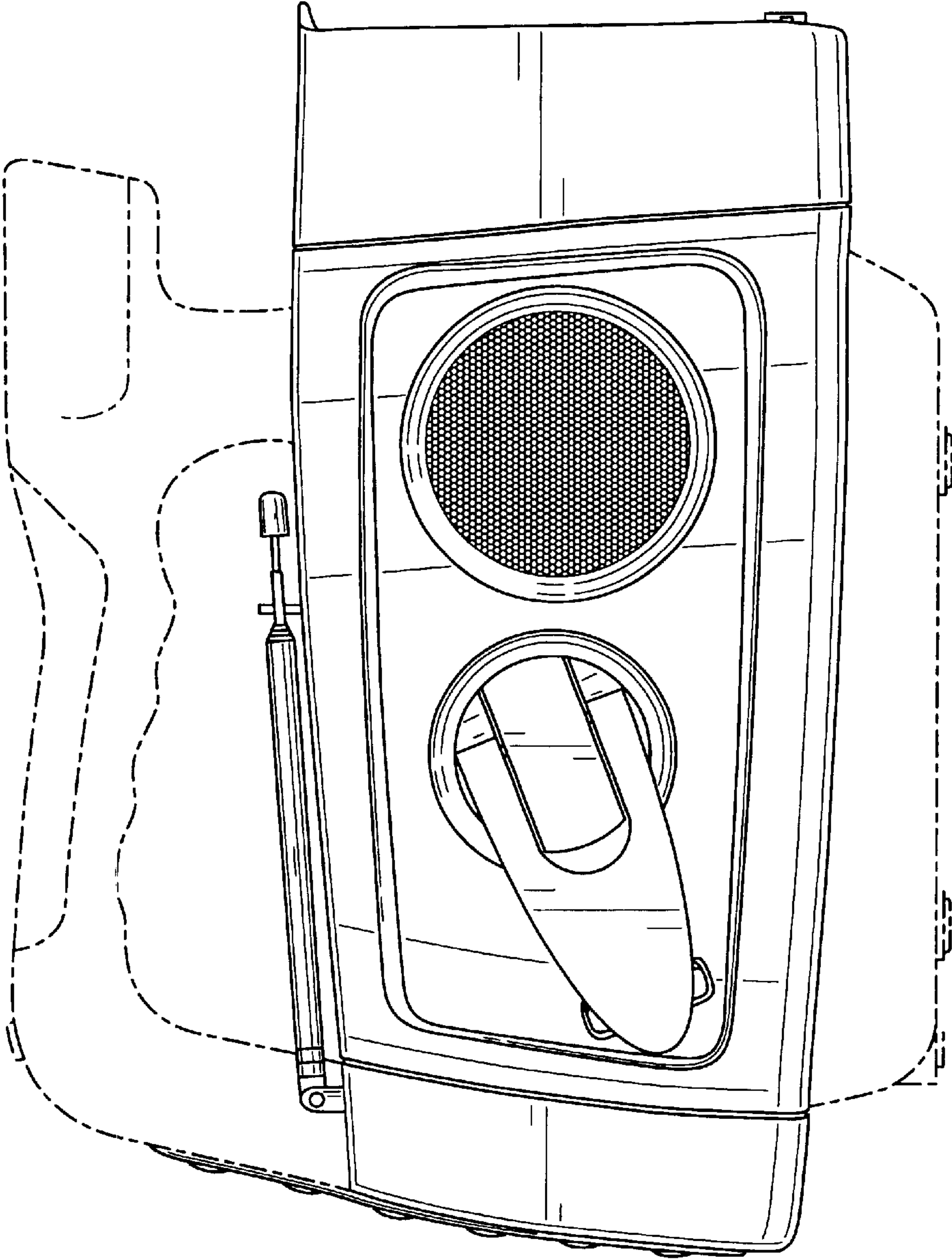


FIG. 11

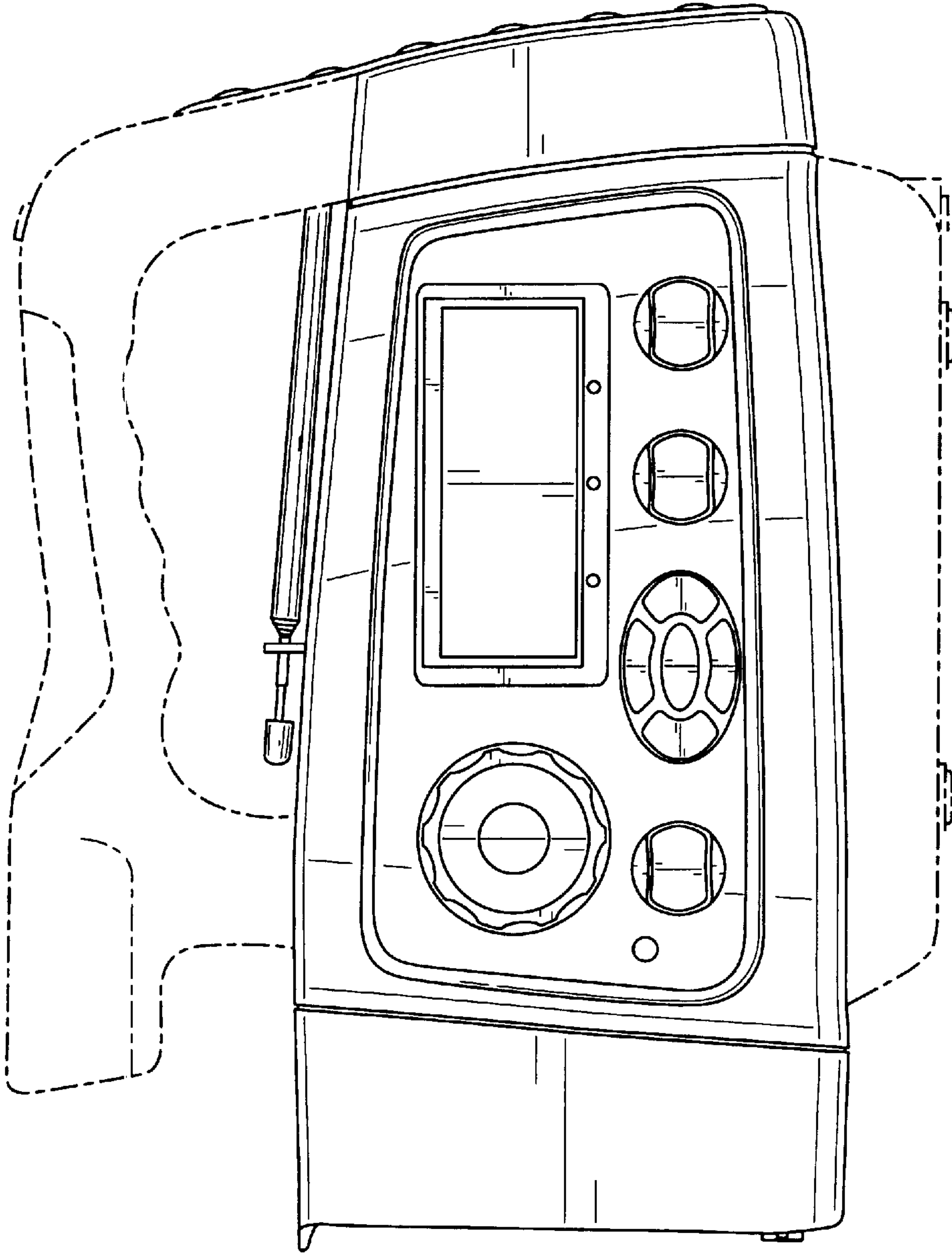


FIG. 12

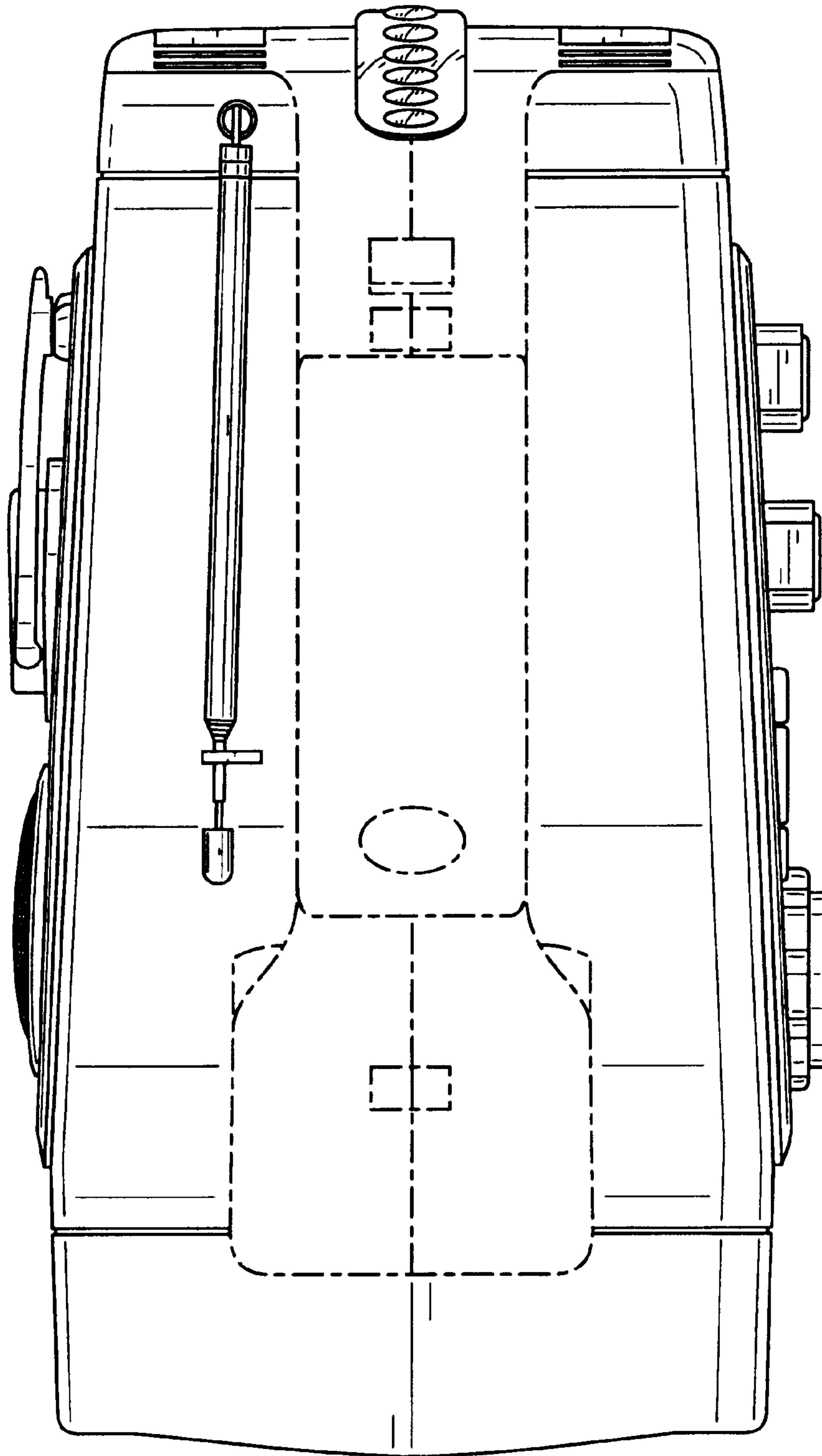


FIG. 13

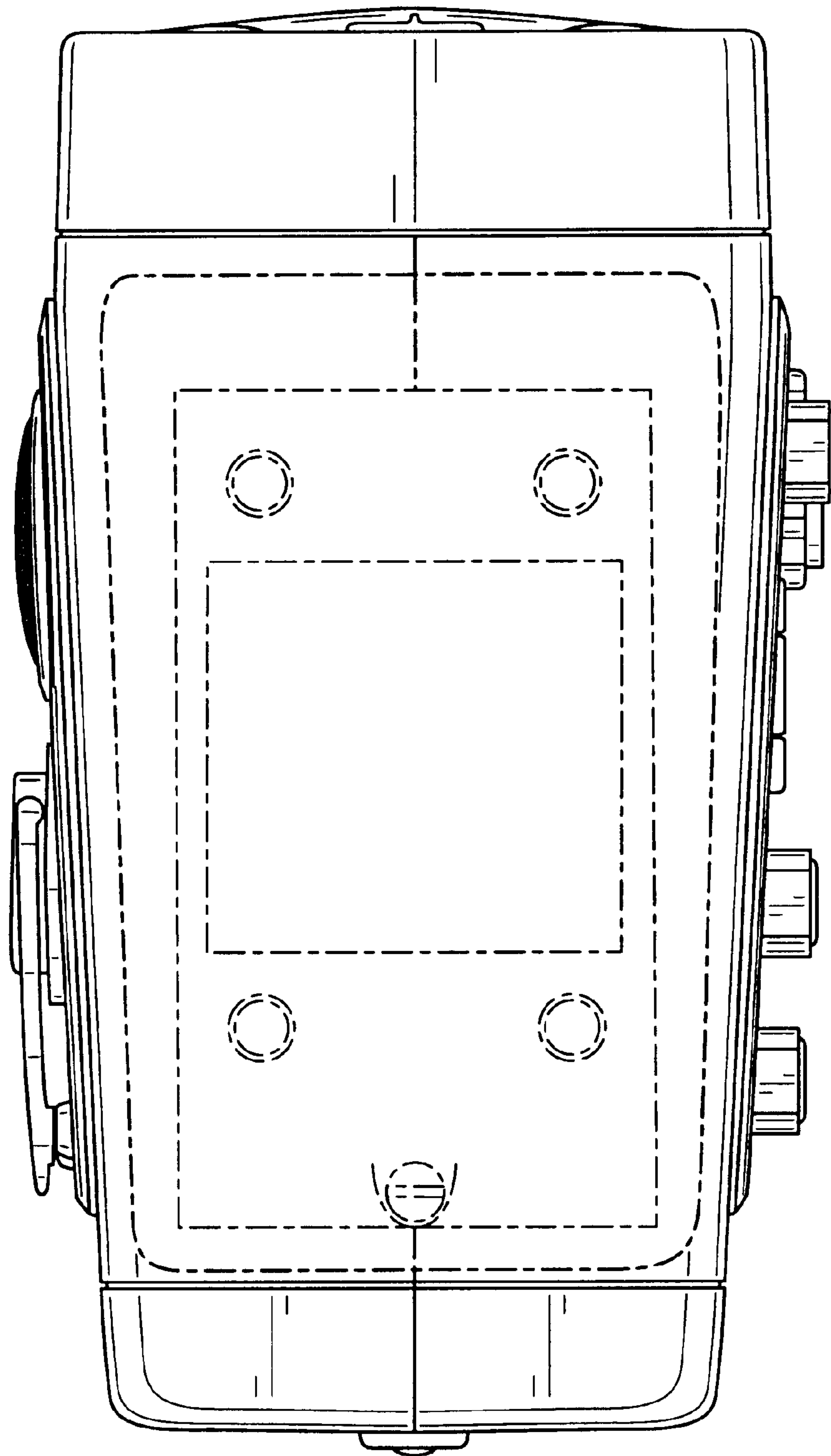


FIG. 14

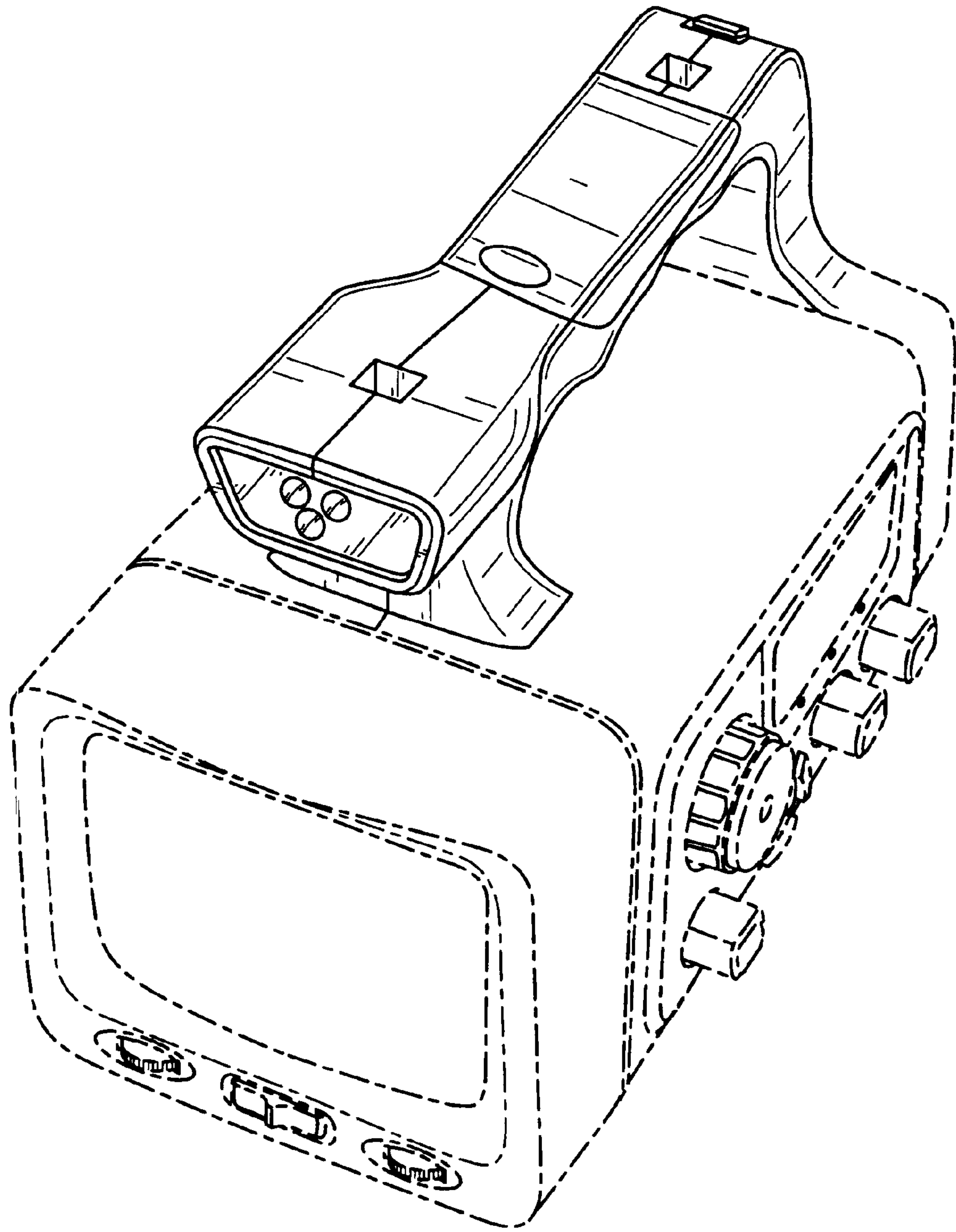


FIG. 15

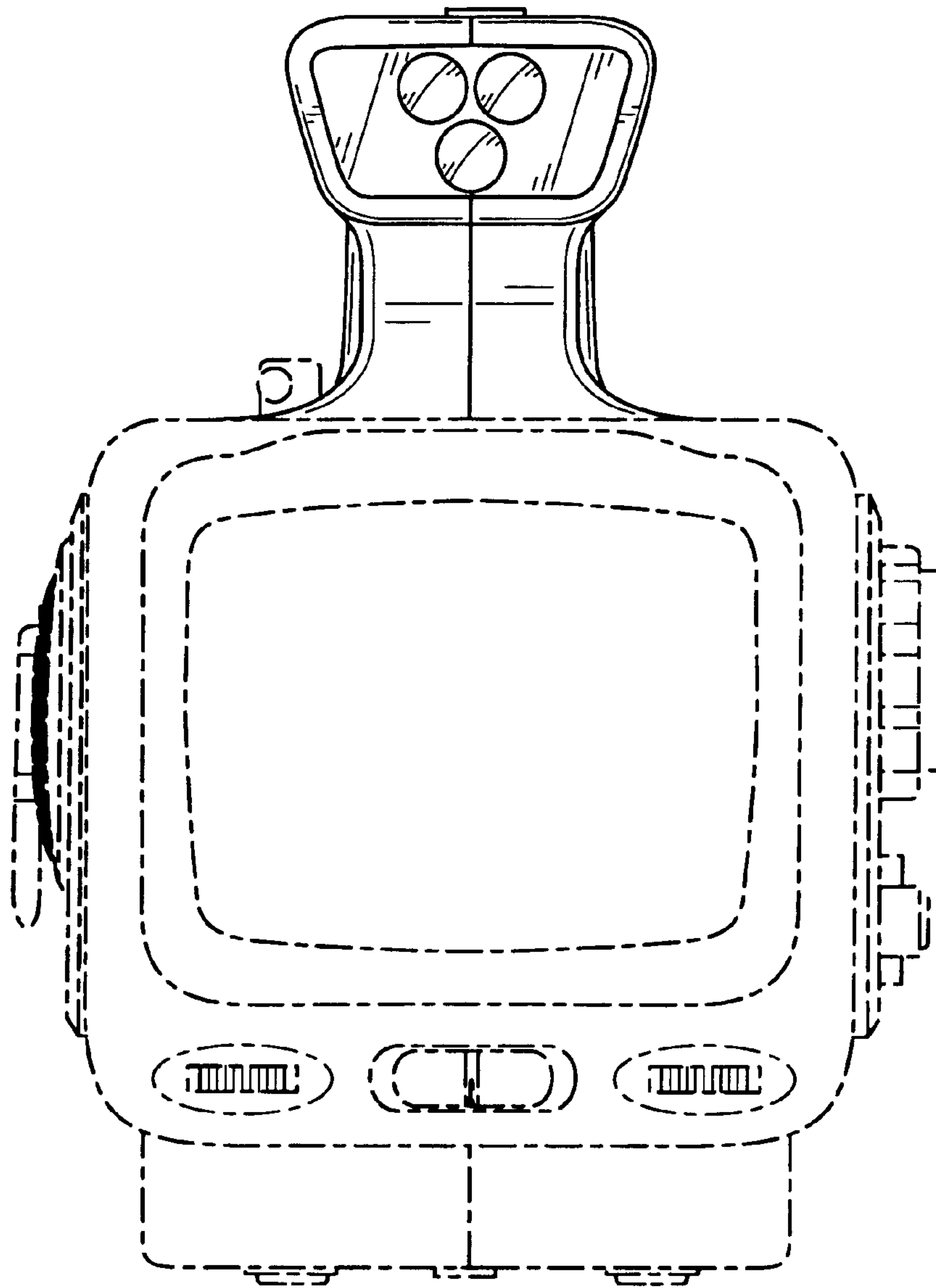


FIG. 16

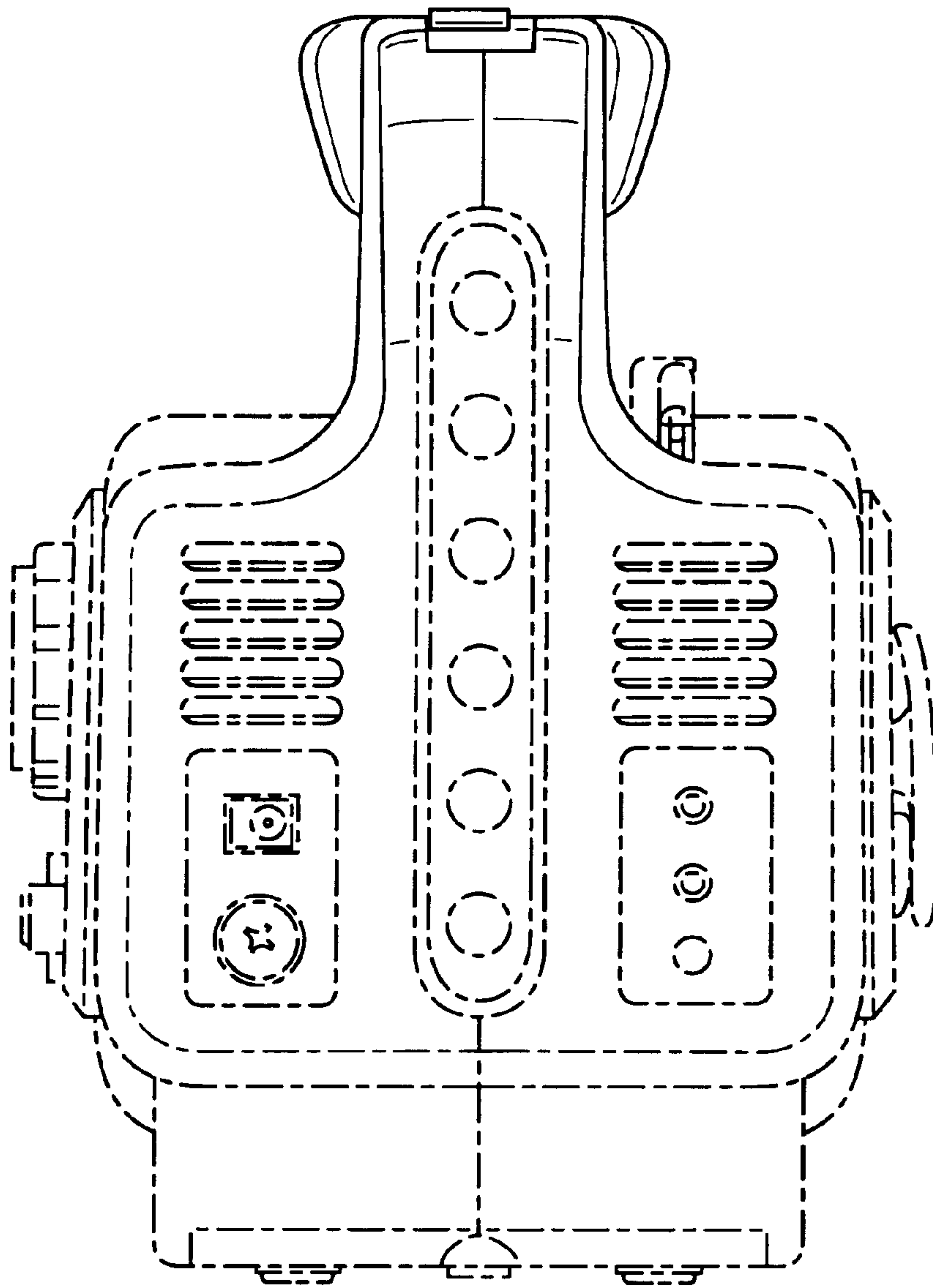


FIG. 17

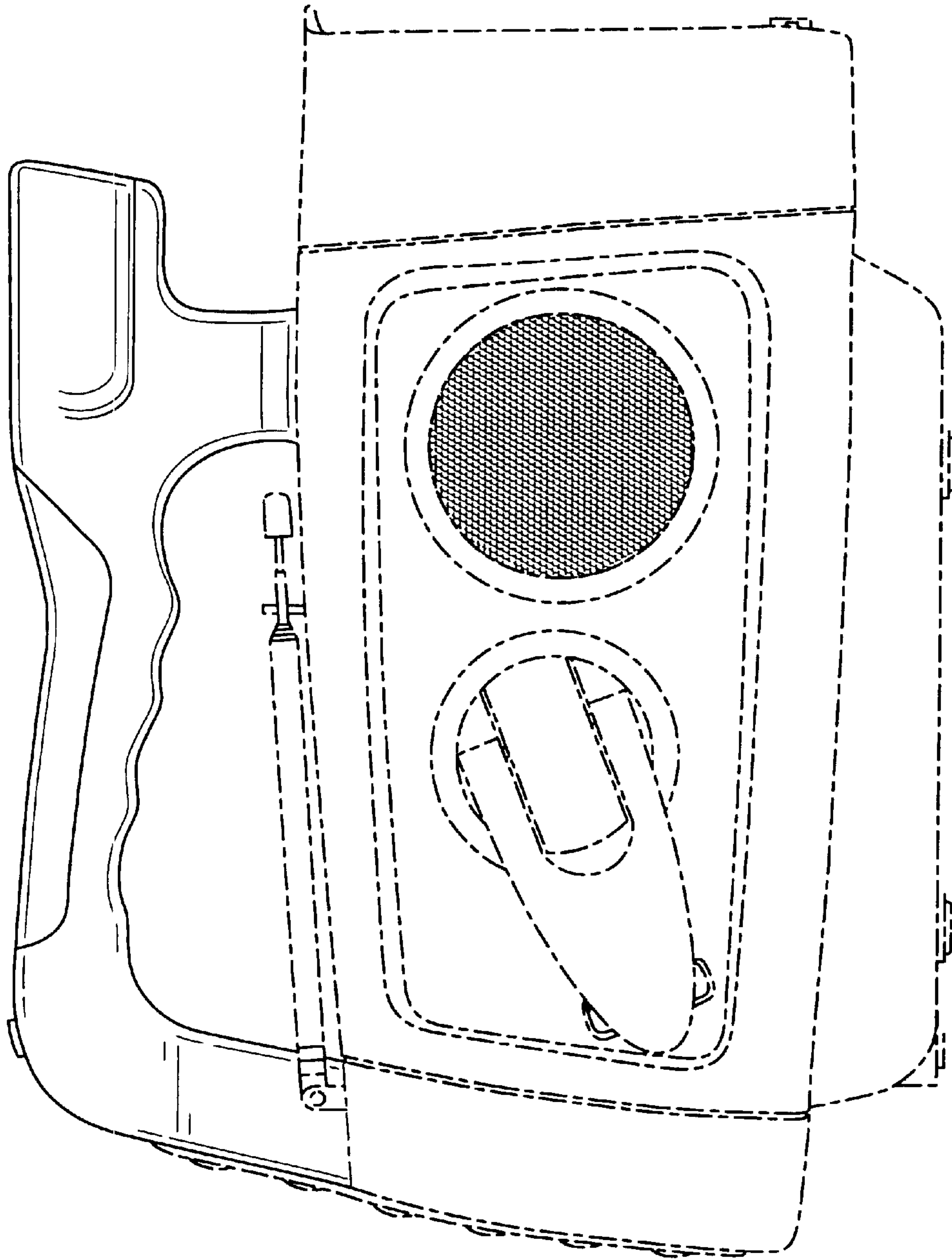


FIG. 18

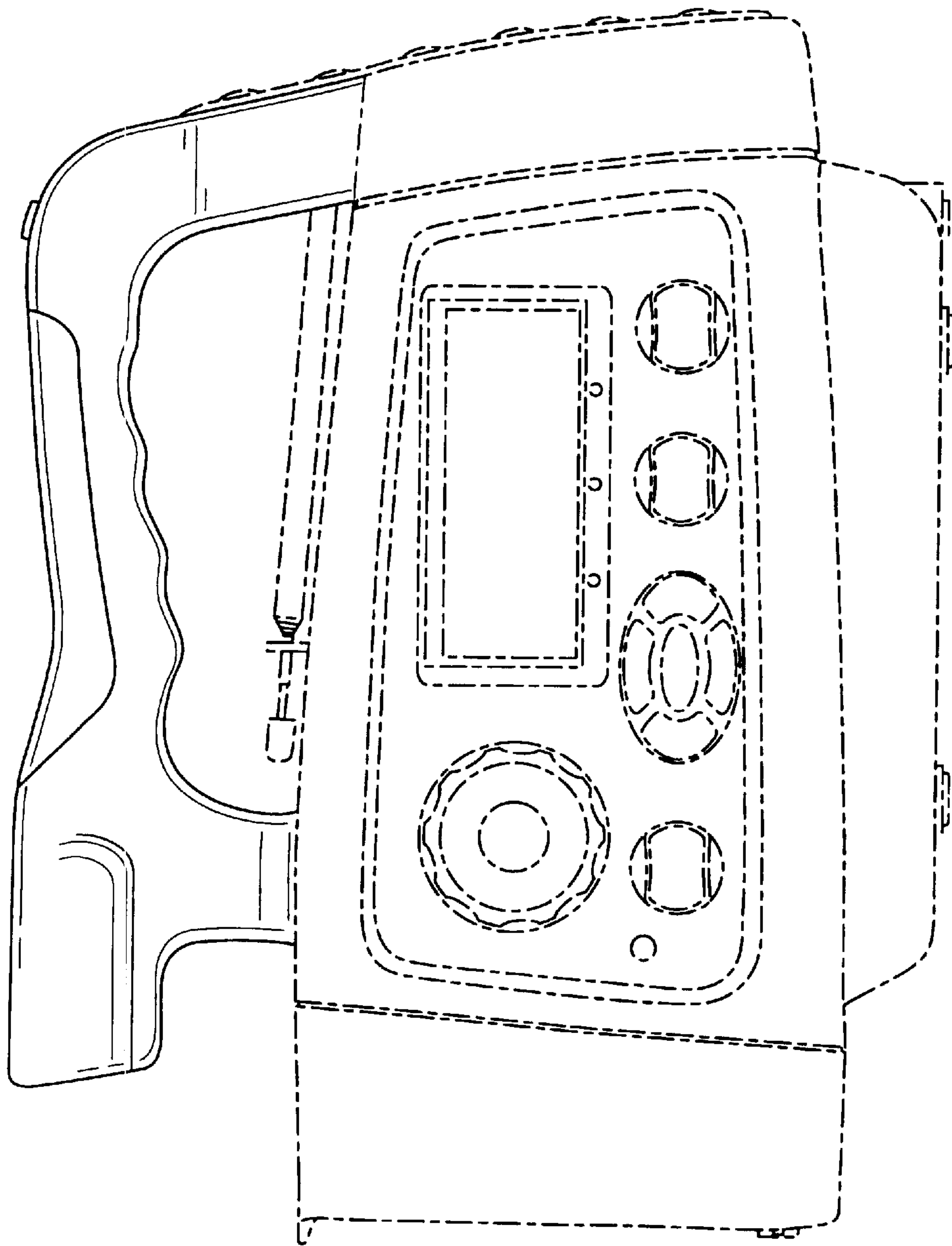


FIG. 19

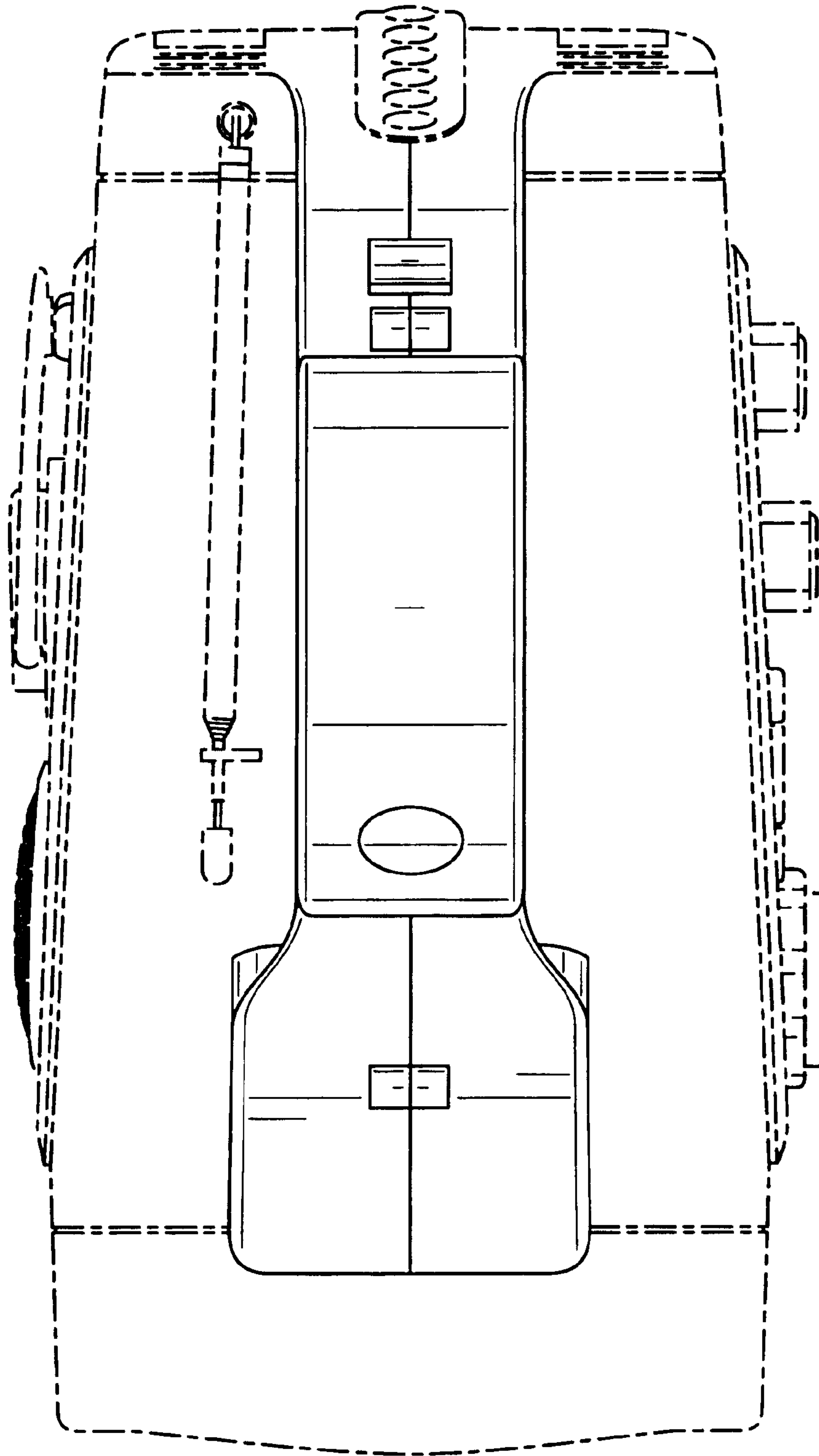


FIG. 20