



US00D532531S

(12) **United States Design Patent** (10) **Patent No.:** **US D532,531 S**
Cutler-Bass (45) **Date of Patent:** **** Nov. 21, 2006**

(54) **WATERPROOF LED LIGHT**
 (75) Inventor: **Judy Cutler-Bass**, Somerset, NJ (US)
 (73) Assignee: **Horizon Group - USA, Inc.**, Warren, NJ (US)
 (**) Term: **14 Years**

D504,732 S * 5/2005 Yang D26/2
 6,900,735 B1 5/2005 Guerrieri et al.
 D515,723 S * 2/2006 Chen D26/67
 2003/0090895 A1 5/2003 Guerrieri
 2003/0179573 A1 9/2003 Chun
 2004/0017684 A1 1/2004 Huang
 2005/0018421 A1 1/2005 Parsons

(21) Appl. No.: **29/242,028**
 (22) Filed: **Nov. 3, 2005**
 (51) **LOC (8) Cl.** **26-04**
 (52) **U.S. Cl.** **D26/2**
 (58) **Field of Classification Search** D26/1-4;
 313/313, 315, 317, 318, 493; 315/52, 53,
 315/56, 57, 58
 See application file for complete search history.

OTHER PUBLICATIONS

Printout of Internet advertisement for “Blinking Balloons.com” dated Jun. 23, 2005; website: <http://www.blinking-balloons.com/balloonlightfaq.html>.

* cited by examiner

Primary Examiner—Marcus A. Jackson
 (74) *Attorney, Agent, or Firm*—Robert P. Michal; Frishauf, Holtz, Goodman & Chick, P.C.

(56) **References Cited**
 U.S. PATENT DOCUMENTS

5,174,649	A	12/1992	Alston	
5,893,633	A	4/1999	Uchio et al.	
D446,325	S	8/2001	Guerrieri	
D447,584	S	9/2001	Guerrieri	
D482,469	S	11/2003	Guerrieri	
6,761,468	B1	7/2004	Bogal	
6,776,502	B1	8/2004	Hung	
6,777,890	B1	8/2004	Huang	
D495,810	S *	9/2004	Chen D26/2
6,840,654	B1	1/2005	Guerrieri et al.	
6,848,808	B1	2/2005	Guerrieri	
6,857,771	B1	2/2005	Guerrieri	

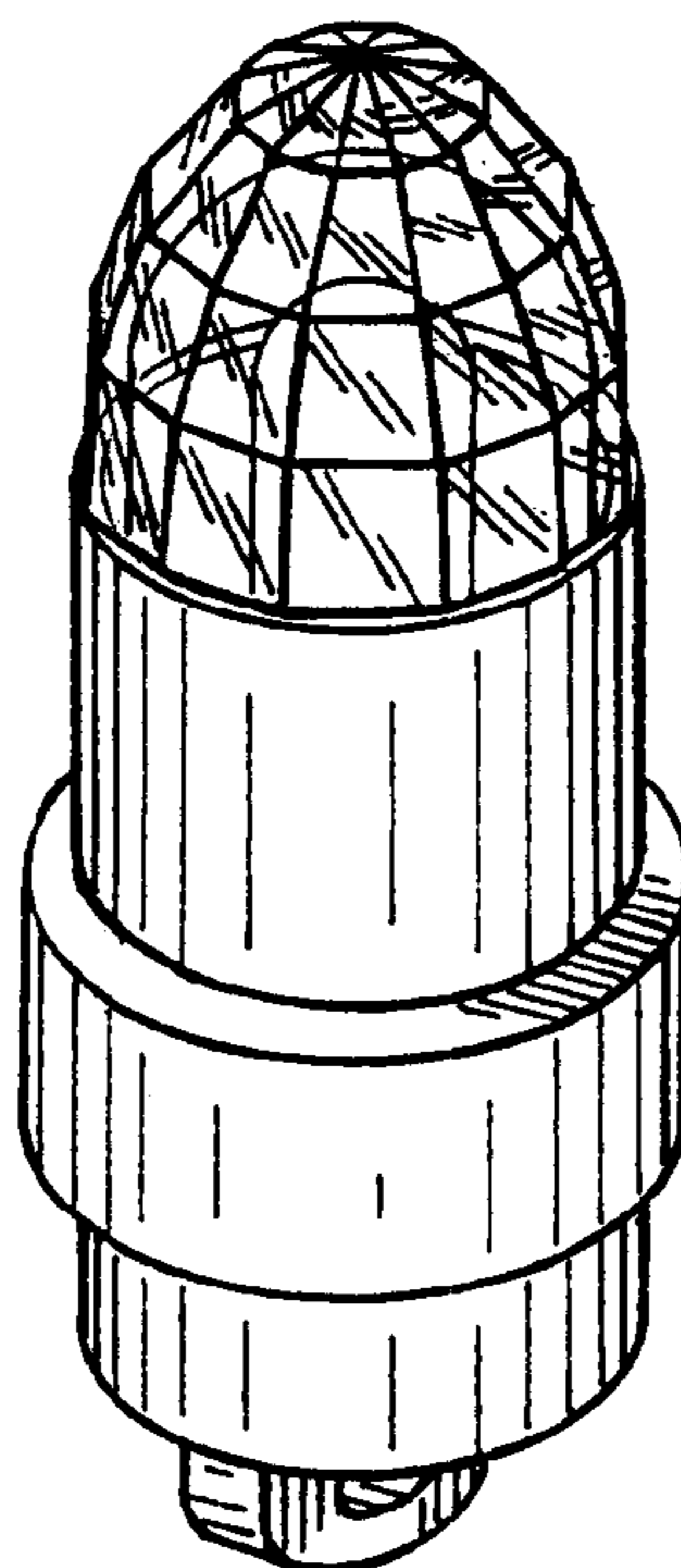
(57) **CLAIM**

The ornamental design for a waterproof LED light, as shown and described.

DESCRIPTION

FIG. 1 is a top, front, left side perspective view of a waterproof LED light showing my new design;
 FIG. 2 is a front elevational view, the rear view being a mirror image thereof;
 FIG. 3 is a right side elevational view, the left side view being a mirror image thereof;
 FIG. 4 is a top plan view thereof; and,
 FIG. 5 is a bottom plan view thereof.

1 Claim, 1 Drawing Sheet



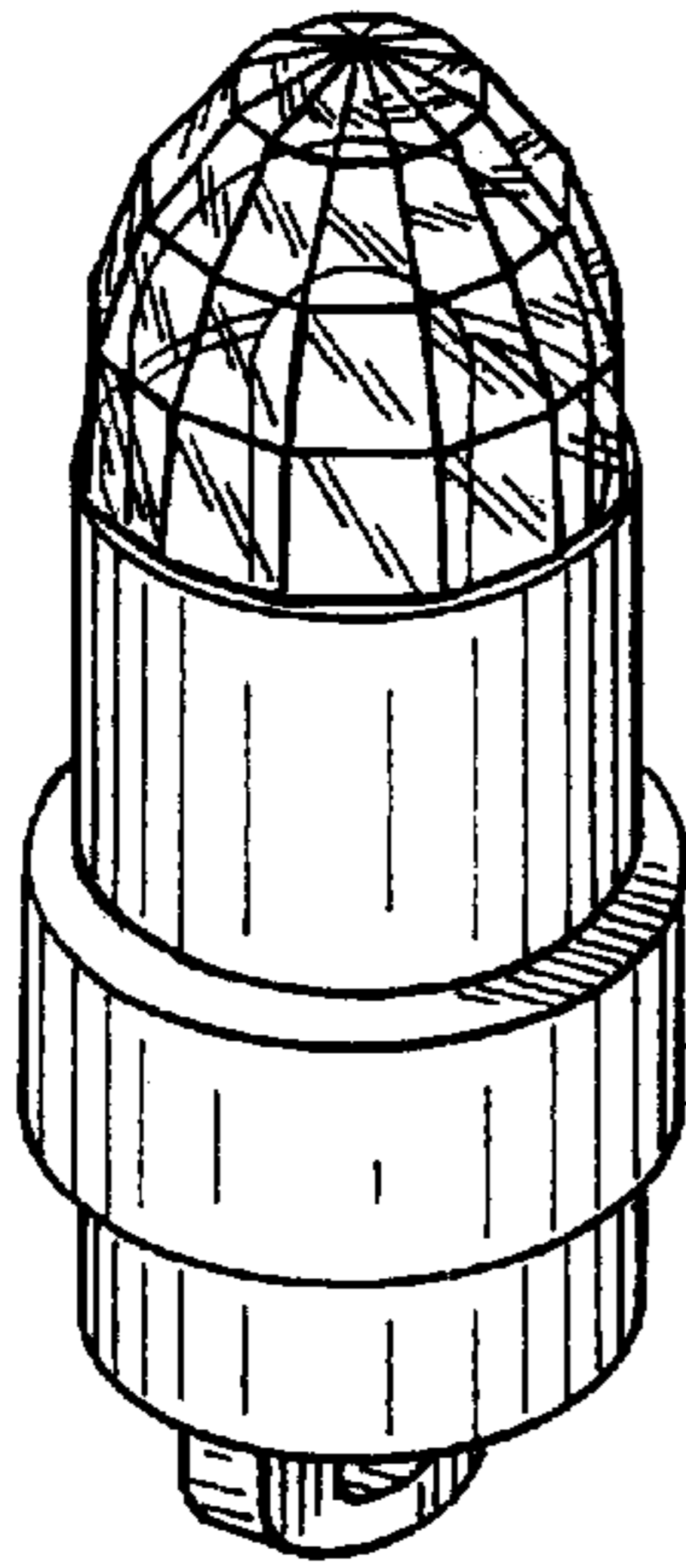


Fig. 1

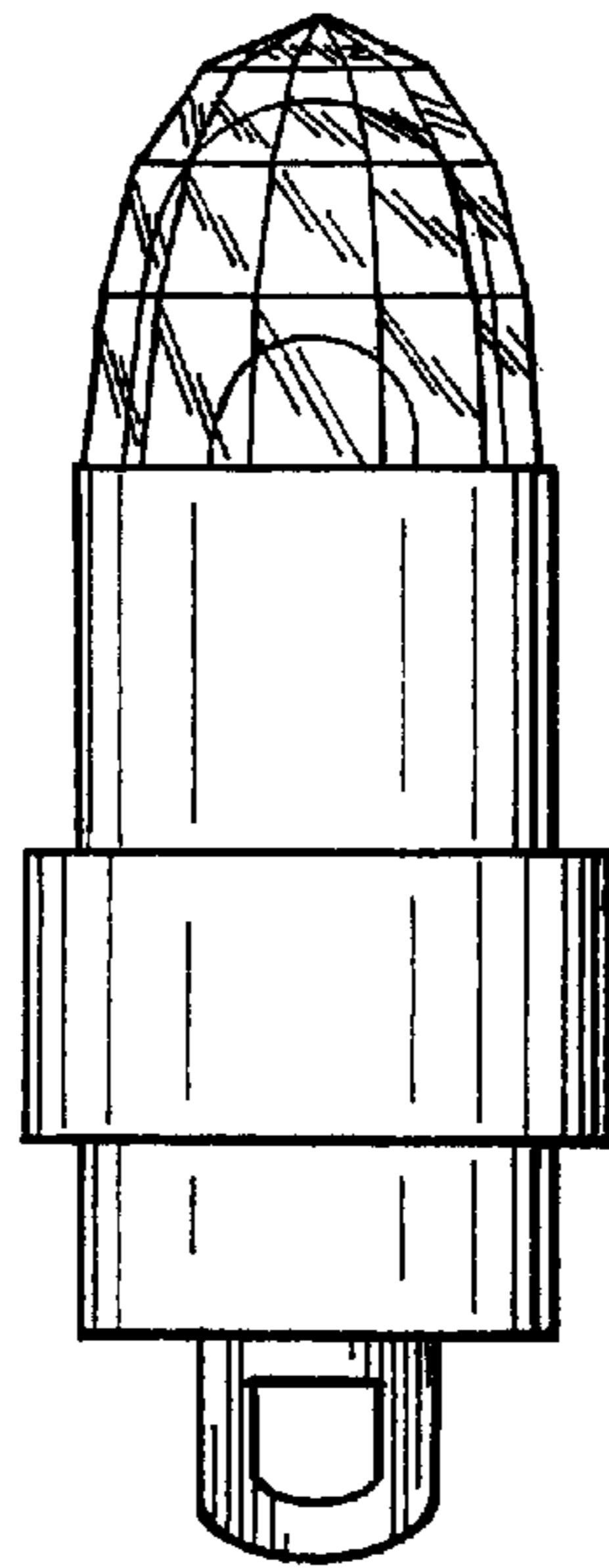


Fig. 2

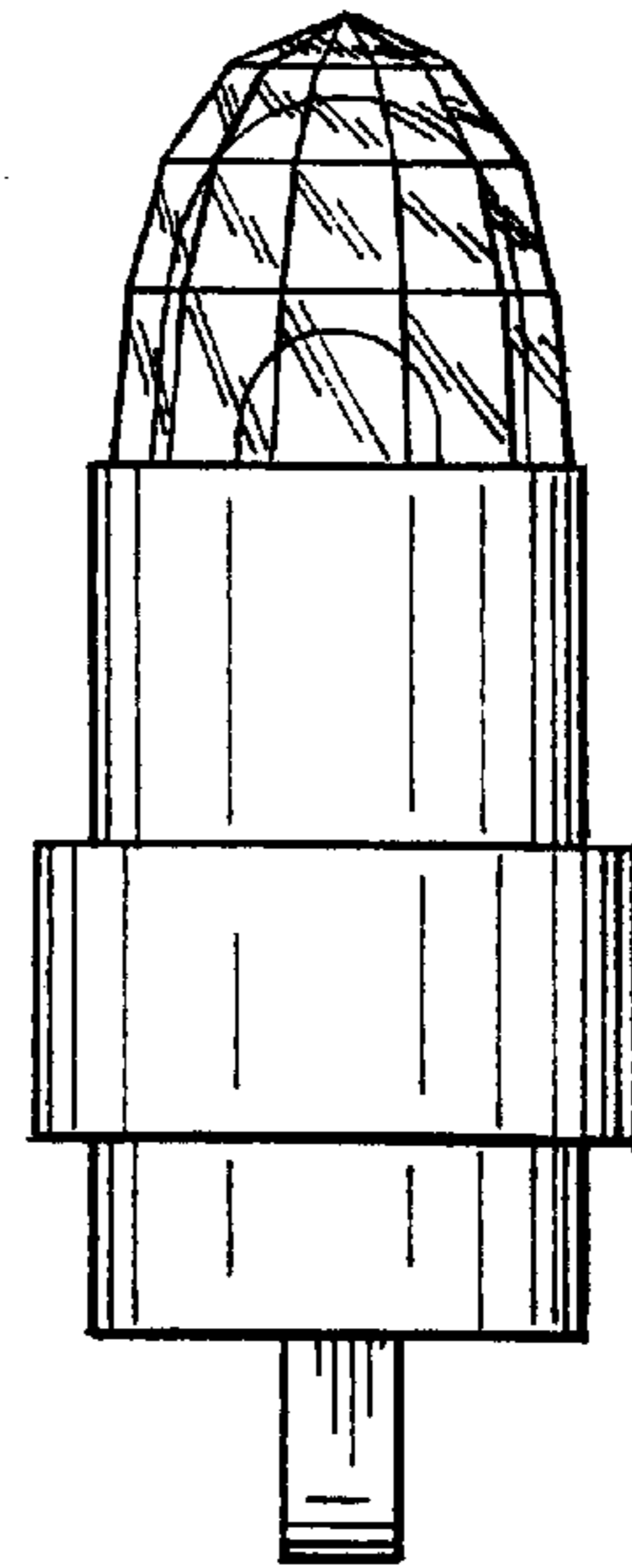


Fig. 3

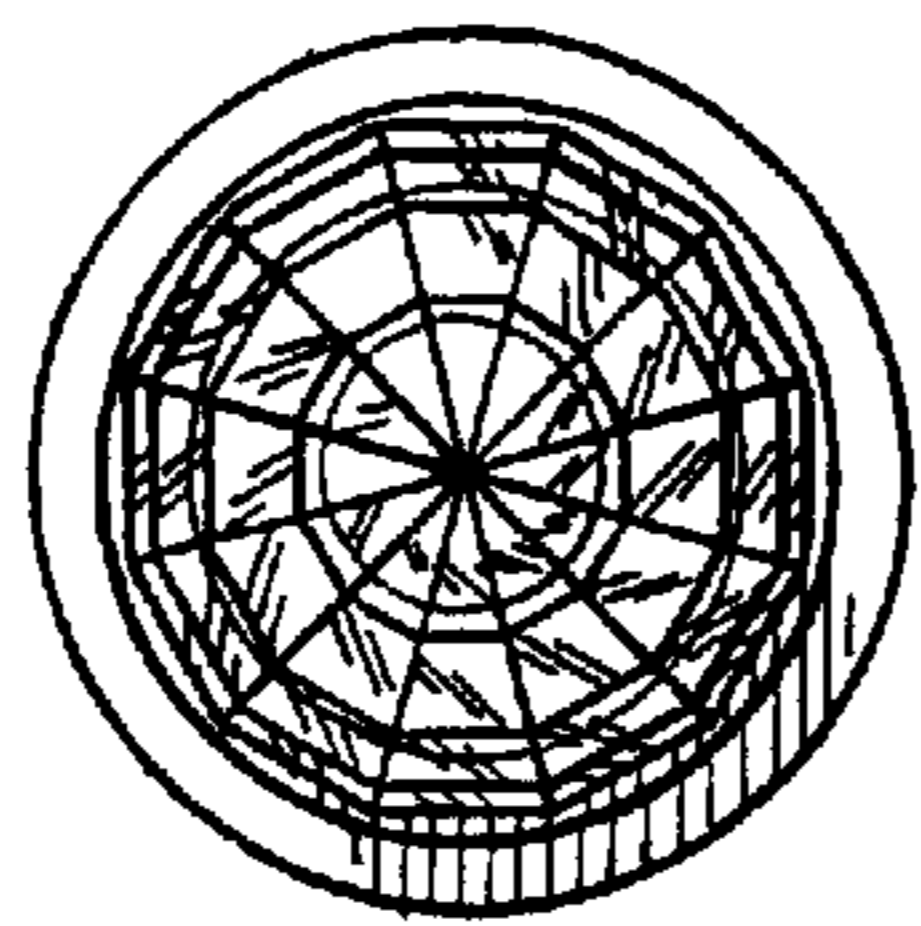


Fig. 4

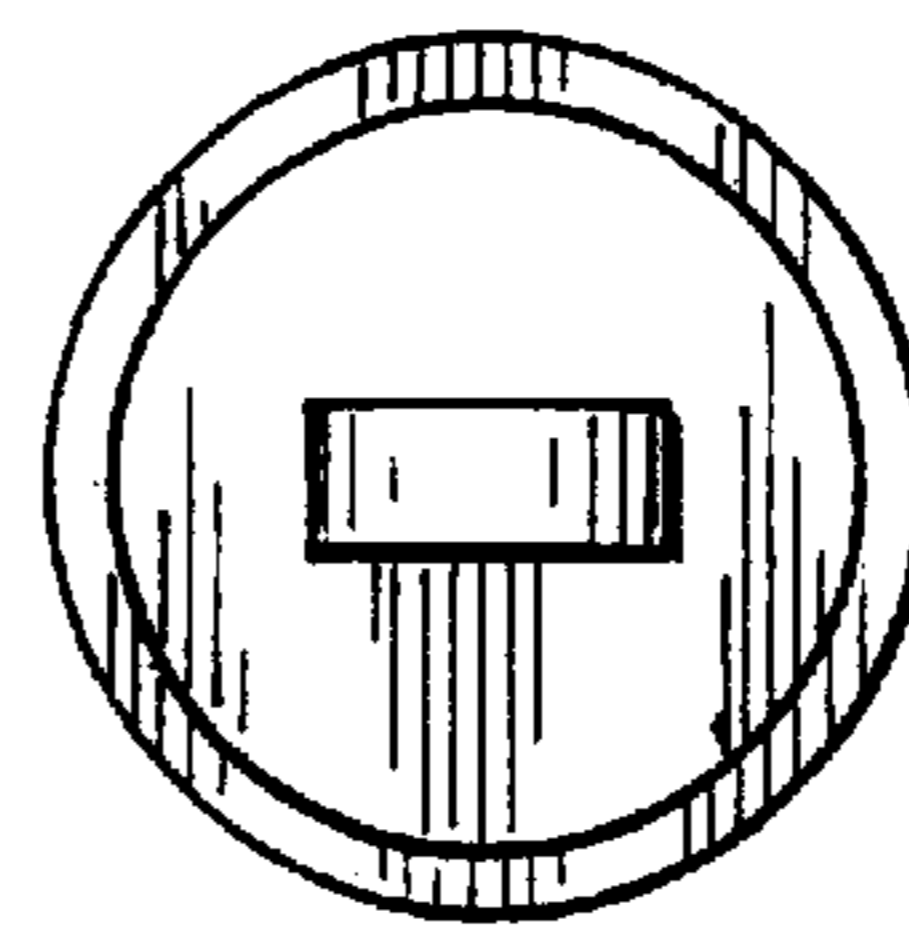


Fig. 5