



US00D532530S

(12) **United States Design Patent**  
**Shuman et al.**

(10) **Patent No.:** **US D532,530 S**

(45) **Date of Patent:** **\*\* Nov. 21, 2006**

(54) **FLOOR TILE**

D487,318 S \* 3/2004 Baxter ..... D25/163  
D488,872 S \* 4/2004 Froech ..... D25/157  
D508,180 S \* 8/2005 Sneed ..... D6/582

(76) Inventors: **Marc Shuman**, 5 Aerial Way, Suite 200, Syosset, NY (US) 11791; **John Maxworthy**, 5 Aerial Way, Suite 200, Syosset, NY (US) 11791

**OTHER PUBLICATIONS**

RaceDeck Garage Floors—[www.racedeck.com/styles.htm](http://www.racedeck.com/styles.htm)  
p. 2 of 2 (visited May 5, 2005).

(\*\*) Term: **14 Years**

\* cited by examiner

(21) Appl. No.: **29/232,238**

*Primary Examiner*—Doris Clark

(22) Filed: **Jun. 16, 2005**

(74) *Attorney, Agent, or Firm*—Collard & Roe, P.C.

(51) **LOC (8) Cl.** ..... **25-01**

(57) **CLAIM**

(52) **U.S. Cl.** ..... **D25/163**

The ornamental design for a floor tile, as shown and described.

(58) **Field of Classification Search** ..... D25/138,  
D25/157, 158, 159, 160, 161, 162, 163; 119/525,  
119/526; 52/311.1, 311.2, 314, 316, 384,  
52/386

**DESCRIPTION**

See application file for complete search history.

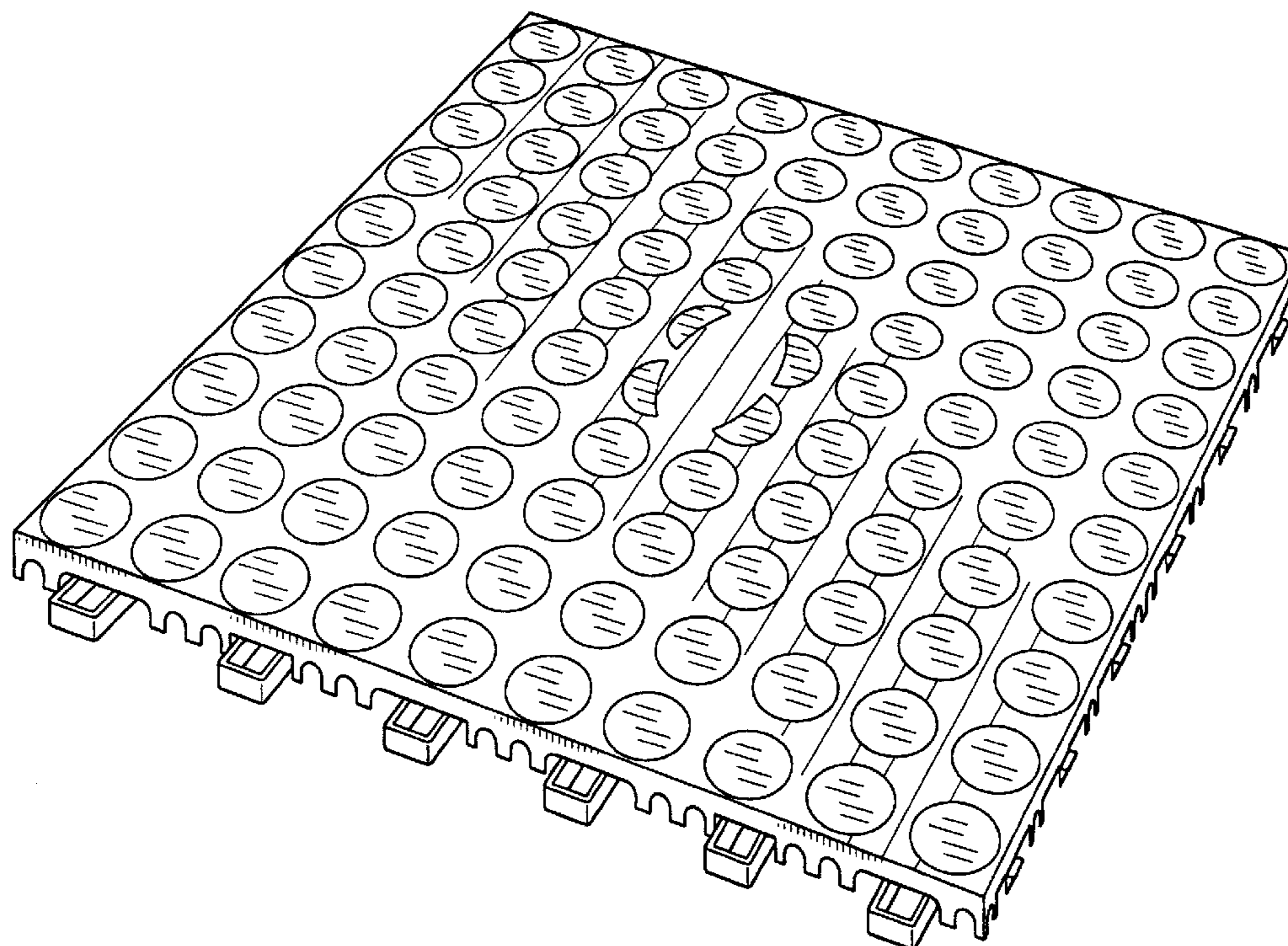
FIG. 1 shows a top perspective view of a floor tile  
FIG. 2 shows a front view of the floor tile;  
FIG. 3 shows a back view of the floor tile;  
FIG. 4 shows a view of the floor tile which is the bottom with respect to FIG. 2;  
FIG. 5 shows another view of the floor tile which is the right side with respect to FIG. 2;  
FIG. 6 shows another view of the floor tile which is the top with respect to FIG. 2; and,  
FIG. 7 shows another view of the floor tile which is the left side with respect to FIG. 2.

(56) **References Cited**

**U.S. PATENT DOCUMENTS**

D132,537 S \* 5/1942 Rhodes ..... D29/125  
D200,312 S \* 2/1965 Monroe ..... D25/158  
D200,313 S \* 2/1965 Monroe ..... D25/163  
D229,676 S \* 12/1973 Koch ..... D25/163  
D244,543 S \* 5/1977 Tellman et al. .... D25/163  
D248,324 S \* 6/1978 Stichtenoth ..... D25/48  
D377,398 S \* 1/1997 Adam ..... D25/158  
D462,130 S \* 8/2002 Kotler ..... D25/163

**1 Claim, 4 Drawing Sheets**



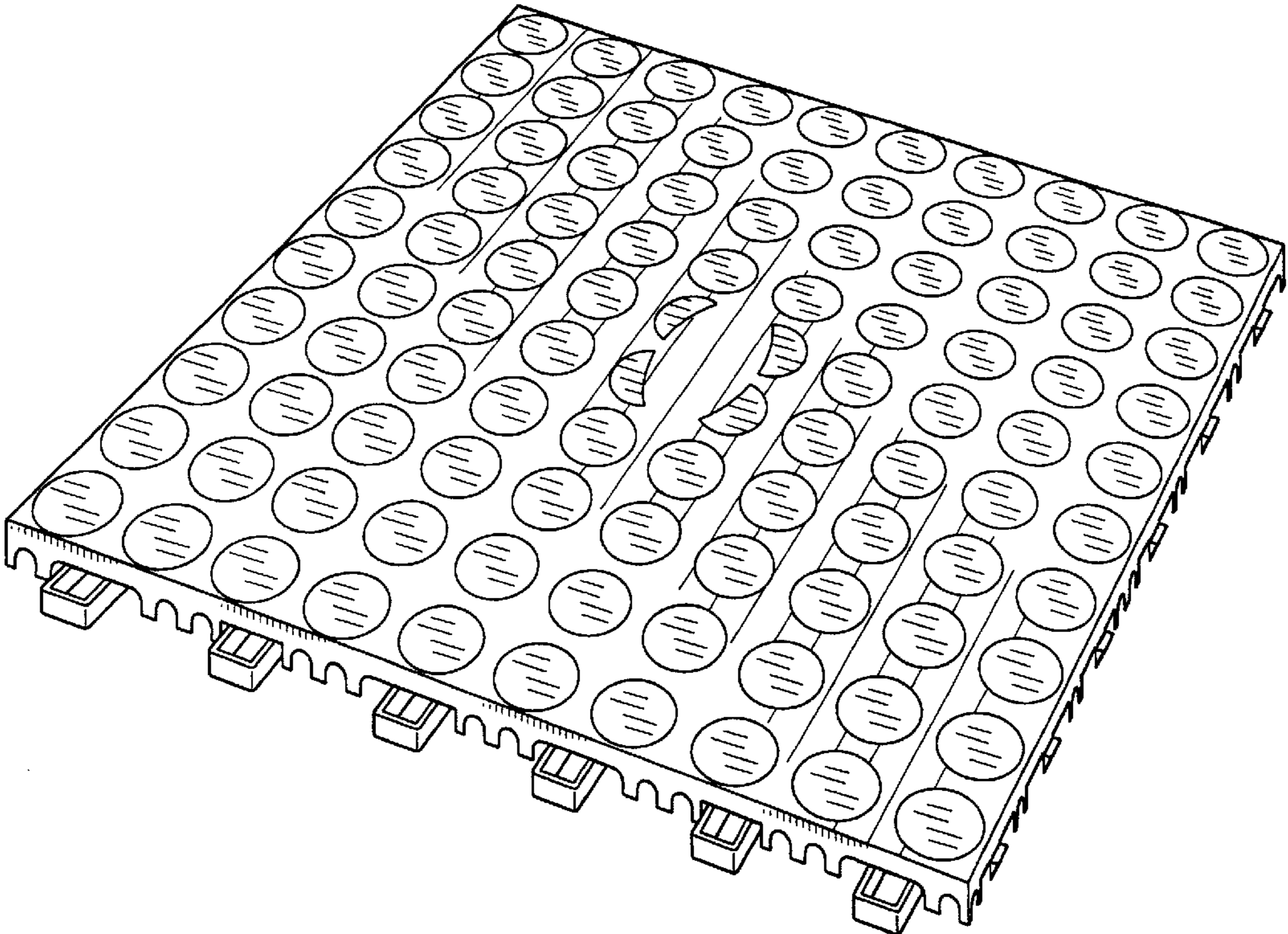


FIG. 1

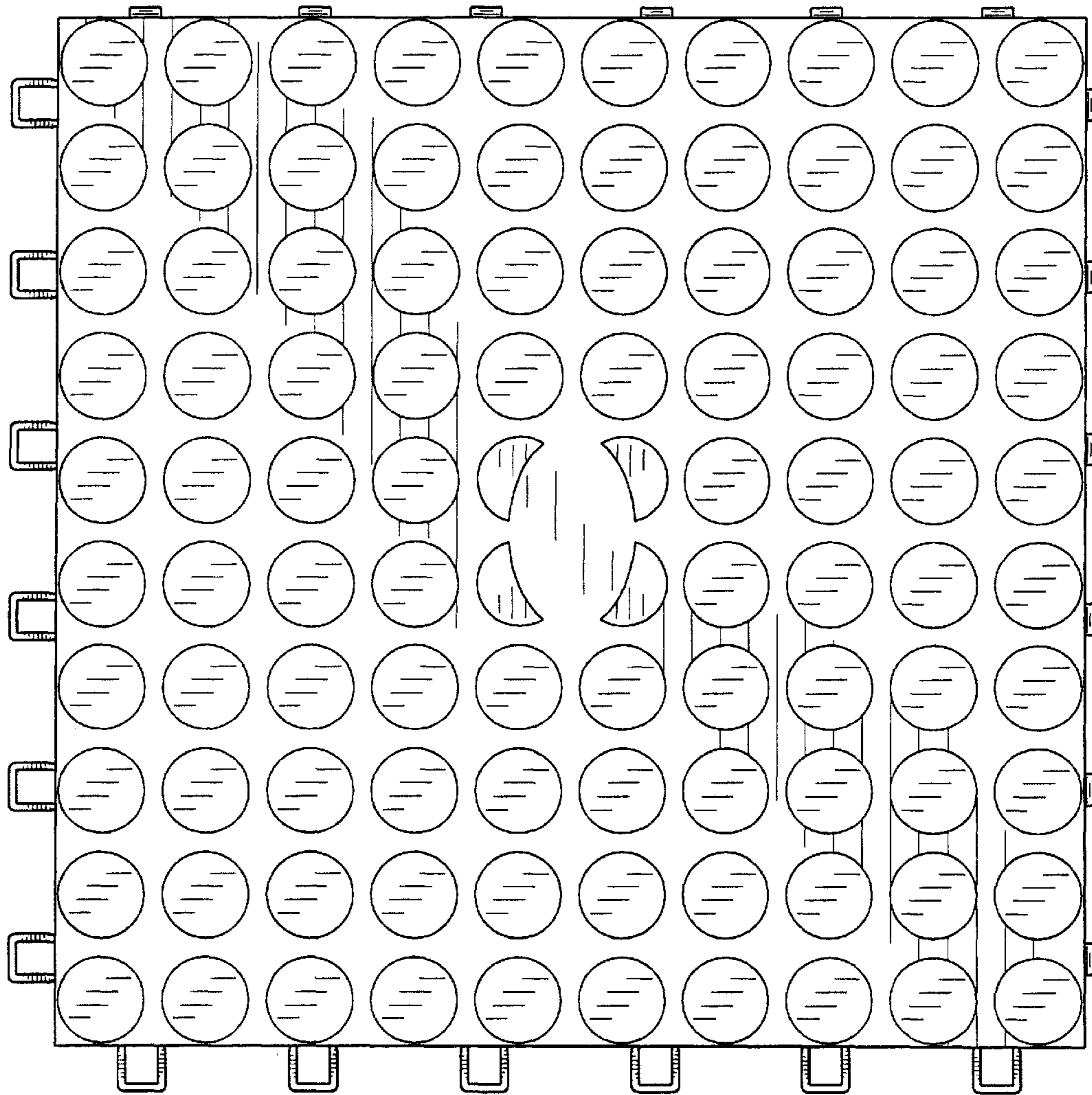


FIG. 2

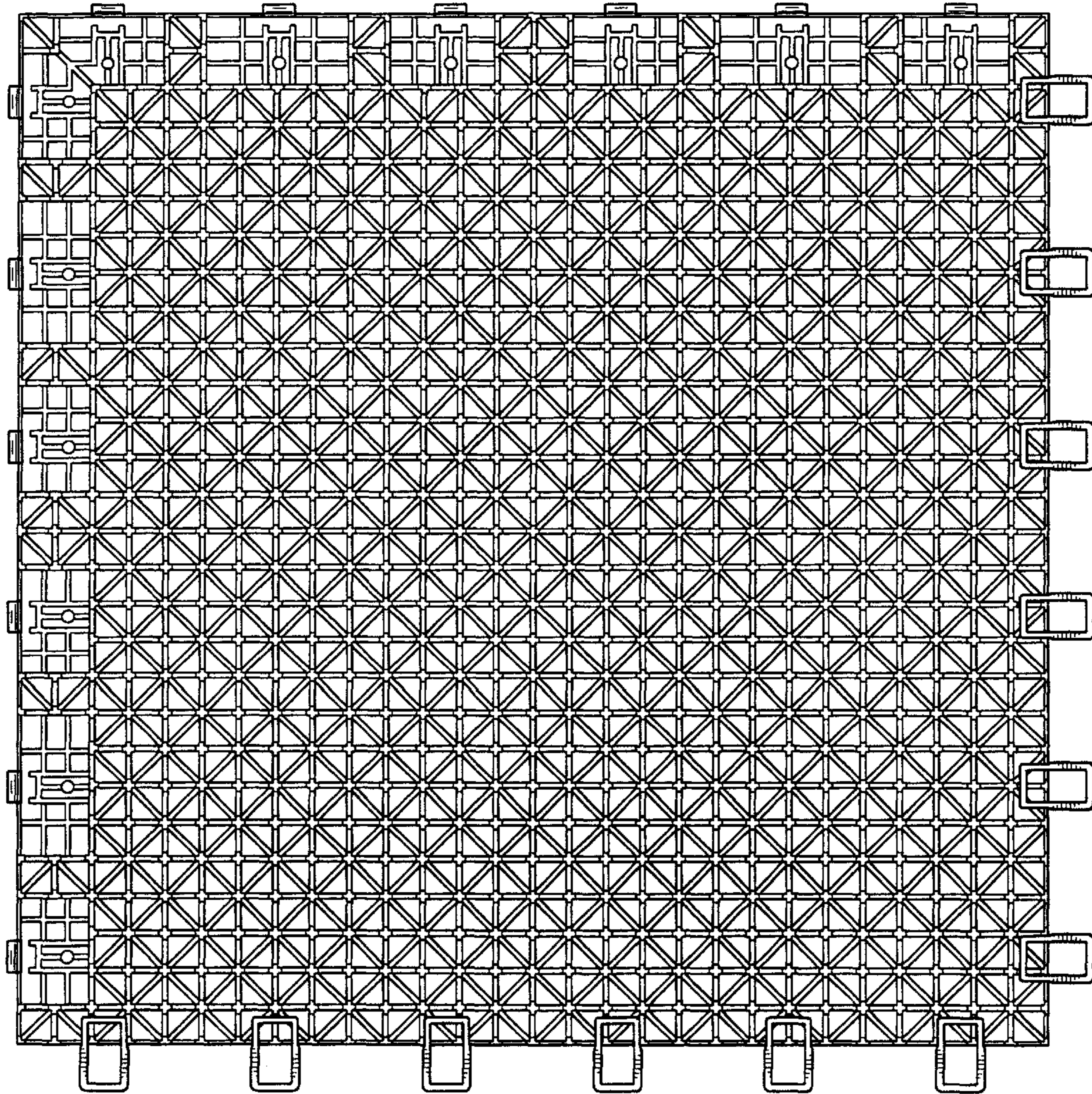


FIG. 3



FIG. 4



FIG. 5



FIG. 6



FIG. 7