



US00D532520S

(12) **United States Design Patent**
Kampmeier et al.

(10) **Patent No.:** **US D532,520 S**

(45) **Date of Patent:** **** Nov. 21, 2006**

(54) **COMBINED HEARING AID AND COMMUNICATION DEVICE**

(75) Inventors: **Jürgen Kampmeier**, Buckenhof (DE);
Roland Keplinger, Nürnberg (DE);
Günther Pausch, Effeltrich (DE)

(73) Assignee: **Siemens Aktiengesellschaft**, Munich (DE)

(**) Term: **14 Years**

(21) Appl. No.: **29/225,872**

(22) Filed: **Mar. 22, 2005**

(30) **Foreign Application Priority Data**

Dec. 22, 2004 (EM) 000270673

(51) **LOC (8) Cl.** **24-99**

(52) **U.S. Cl.** **D24/174**

(58) **Field of Classification Search** D24/174,
D24/173; 381/312, 23.1, 322-334, 380-382,
381/315; 181/129, 130, 134, 135, 137; 128/864-868;
D14/206

See application file for complete search history.

(56) **References Cited**

U.S. PATENT DOCUMENTS

5,781,638 A * 7/1998 Hosaka et al. 381/322

2004/0134710 A1 * 7/2004 Yang 181/129

* cited by examiner

Primary Examiner—Ian Simmons

Assistant Examiner—Daniel Yu

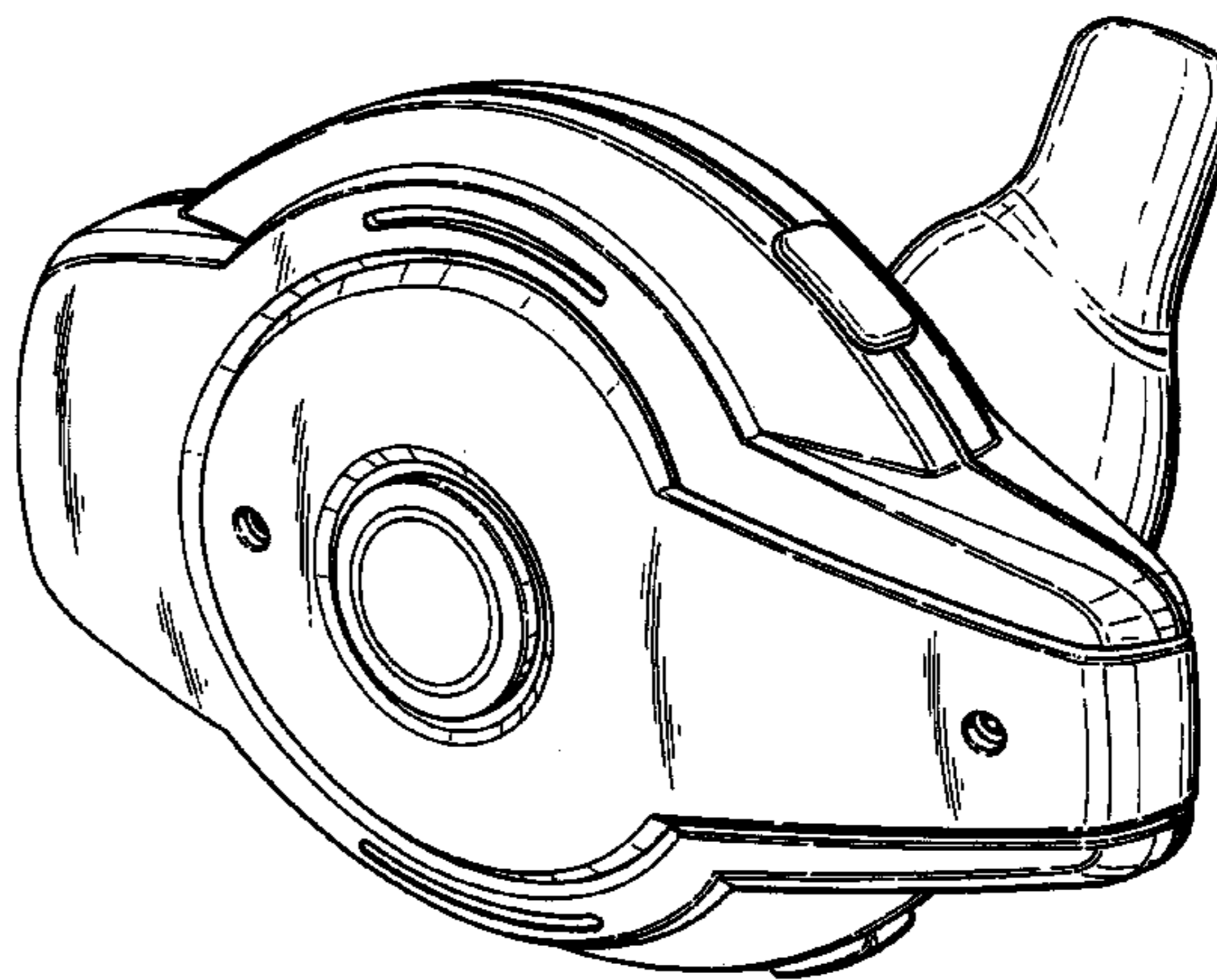
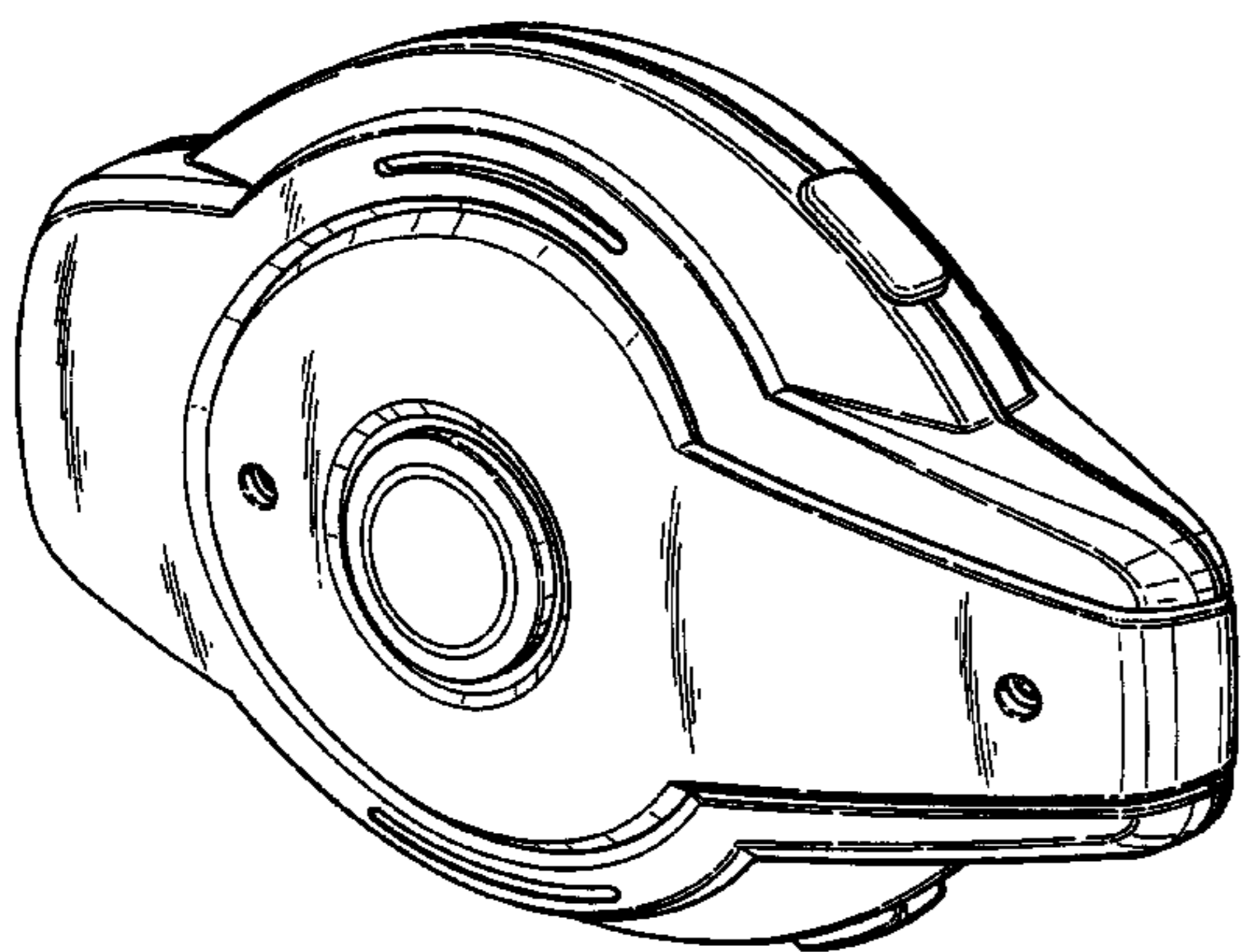
(57) **CLAIM**

We claim the ornamental design for a combined hearing aid and communication device, as shown and described.

DESCRIPTION

FIG. 1 is a perspective view of a combined hearing aid and communication device design with the earpiece removed; FIG. 2 is a right side view thereof; FIG. 3 is a bottom view thereof; FIG. 4 is a left side view thereof; FIG. 5 is a front view thereof; FIG. 6 is a back view thereof; FIG. 7 is a top view thereof; FIG. 8 is a perspective view of a combined hearing aid and communication device, showing my new design; FIG. 9 is a right side view thereof; FIG. 10 is a bottom view thereof; FIG. 11 is a left side view thereof; FIG. 12 is a front view thereof; FIG. 13 is a back view thereof; and, FIG. 14 is a top view thereof.

1 Claim, 14 Drawing Sheets



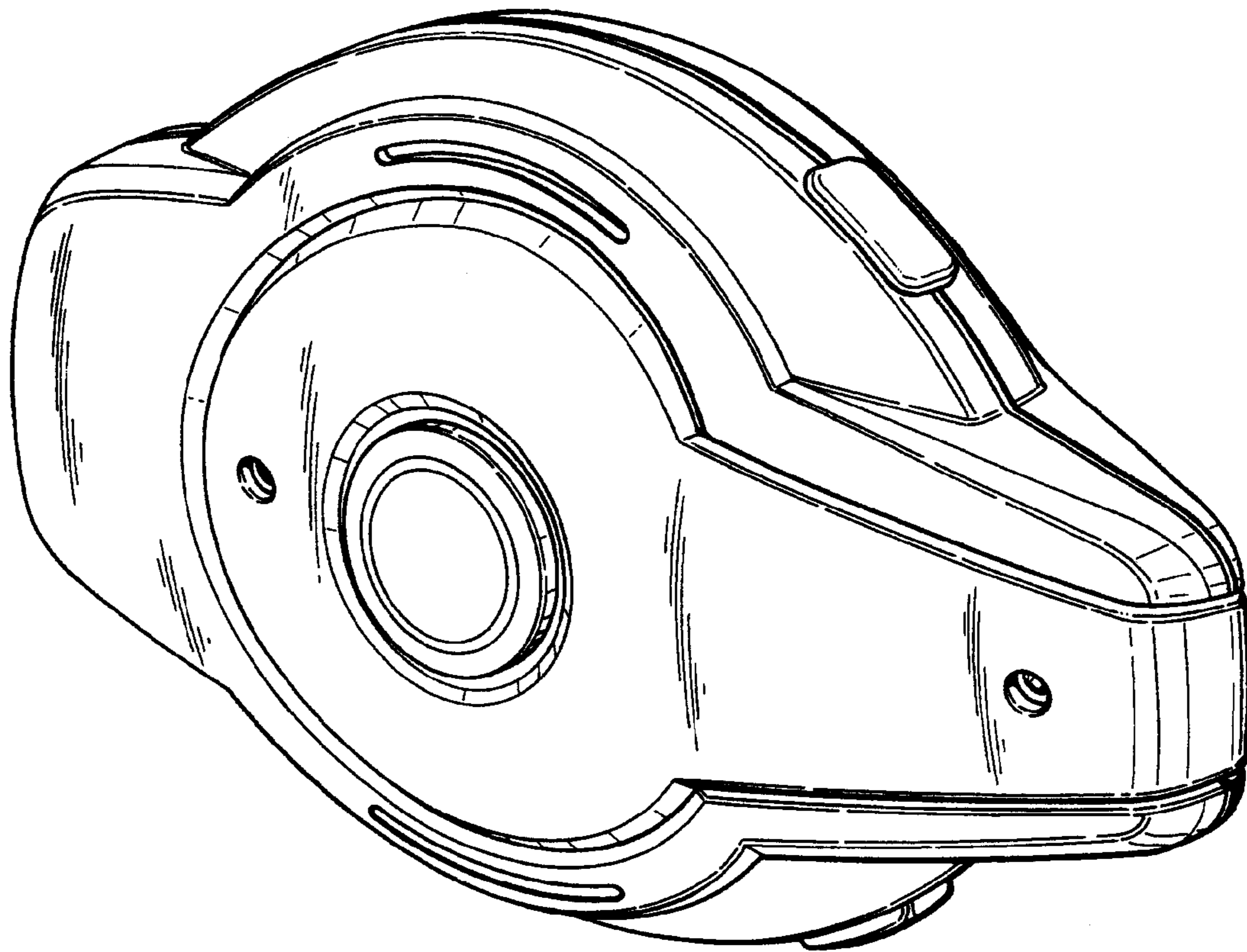


FIGURE 1

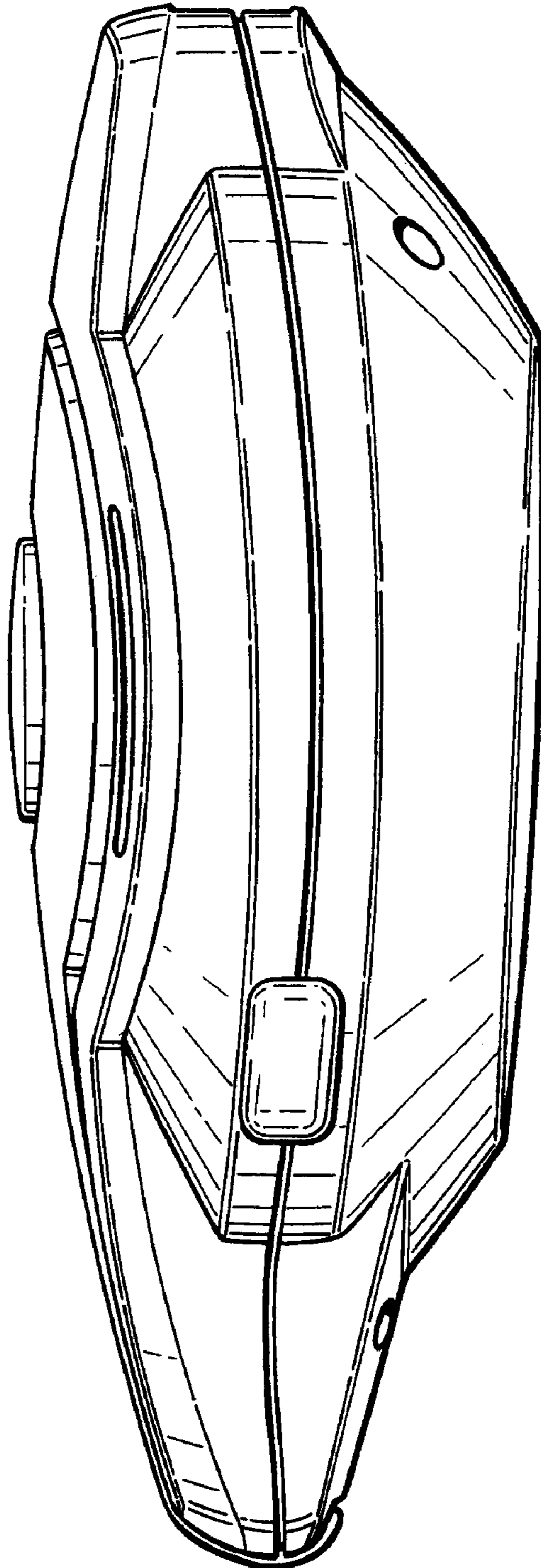


FIGURE 2

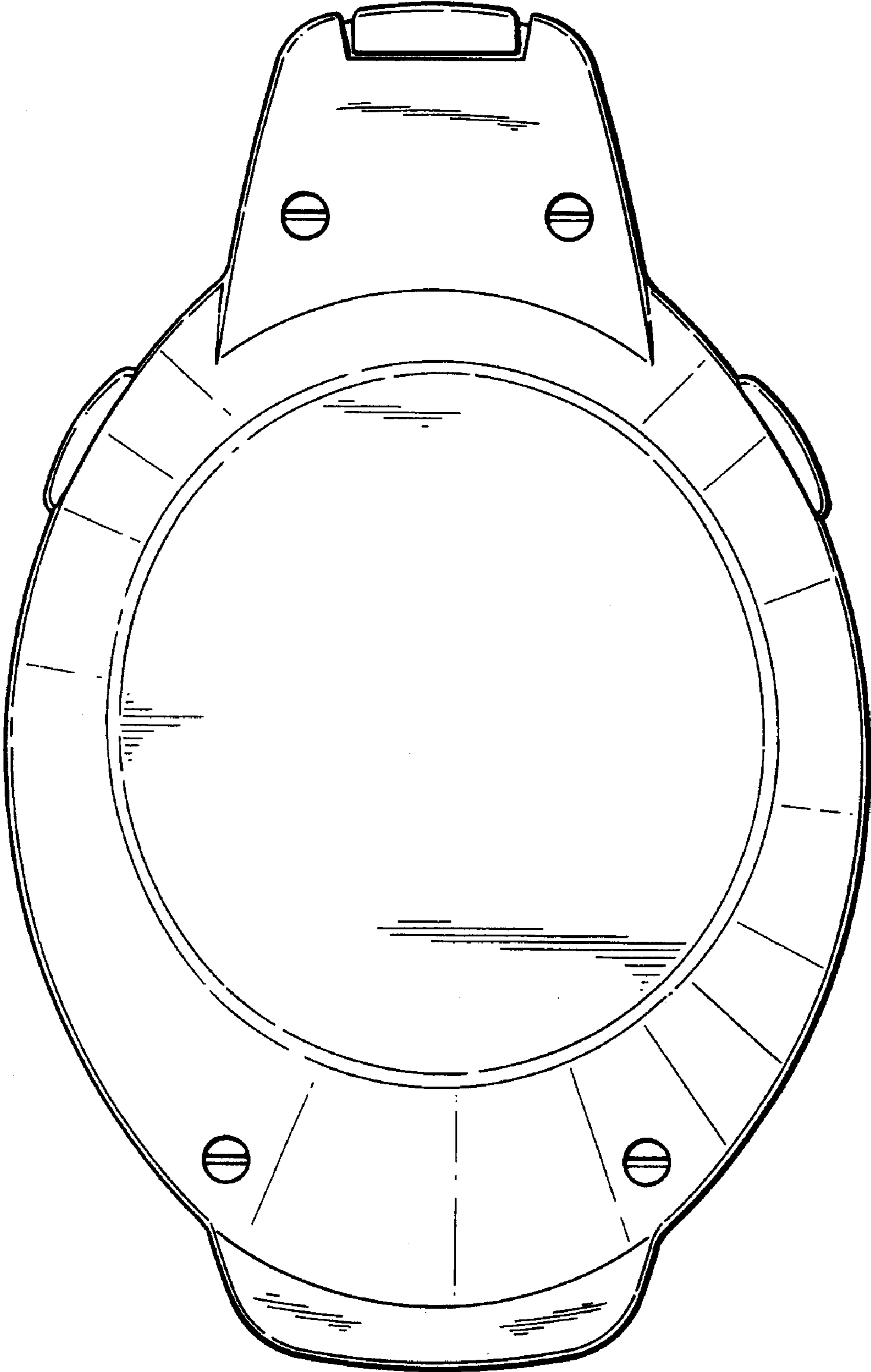


FIGURE 3

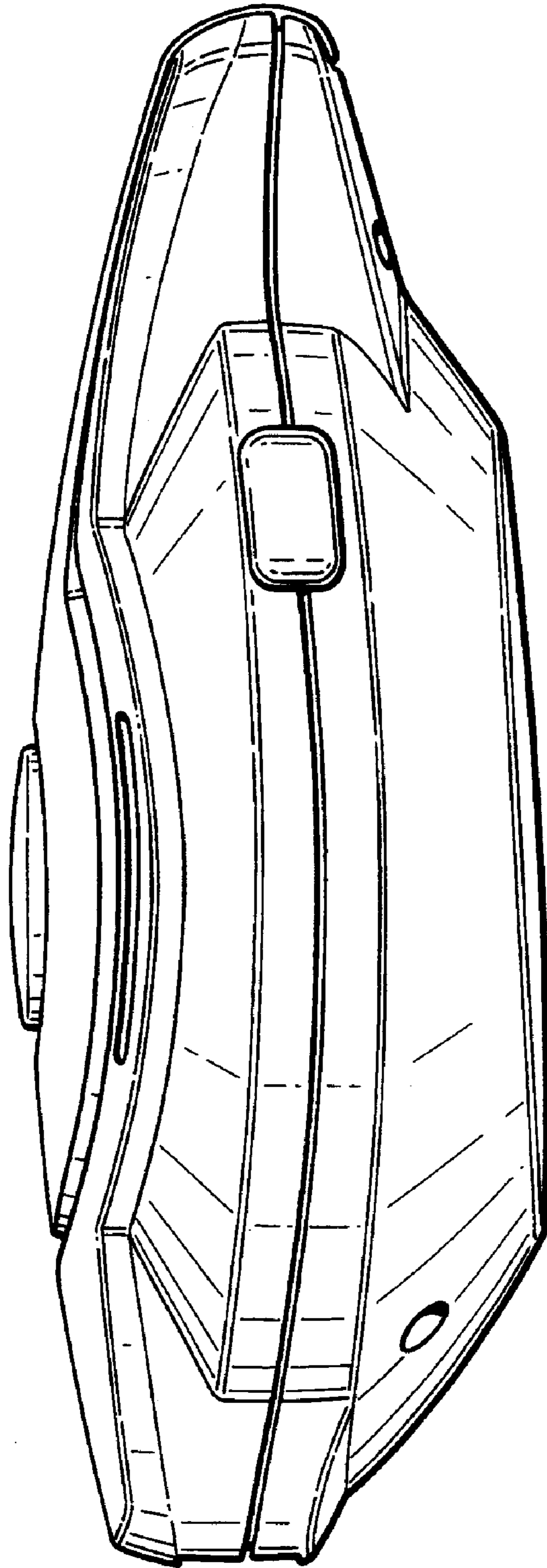


FIGURE 4.

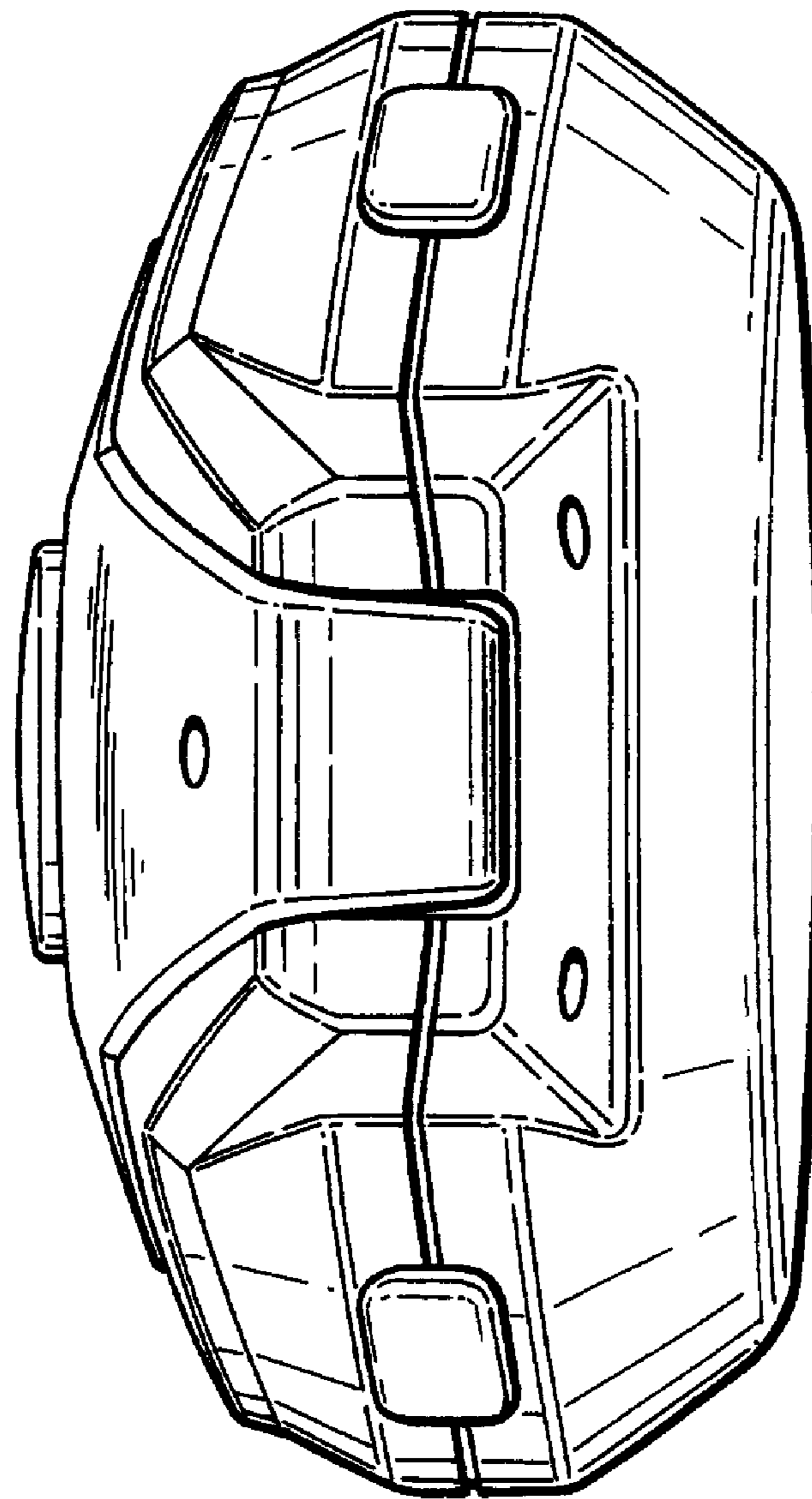


FIGURE 5

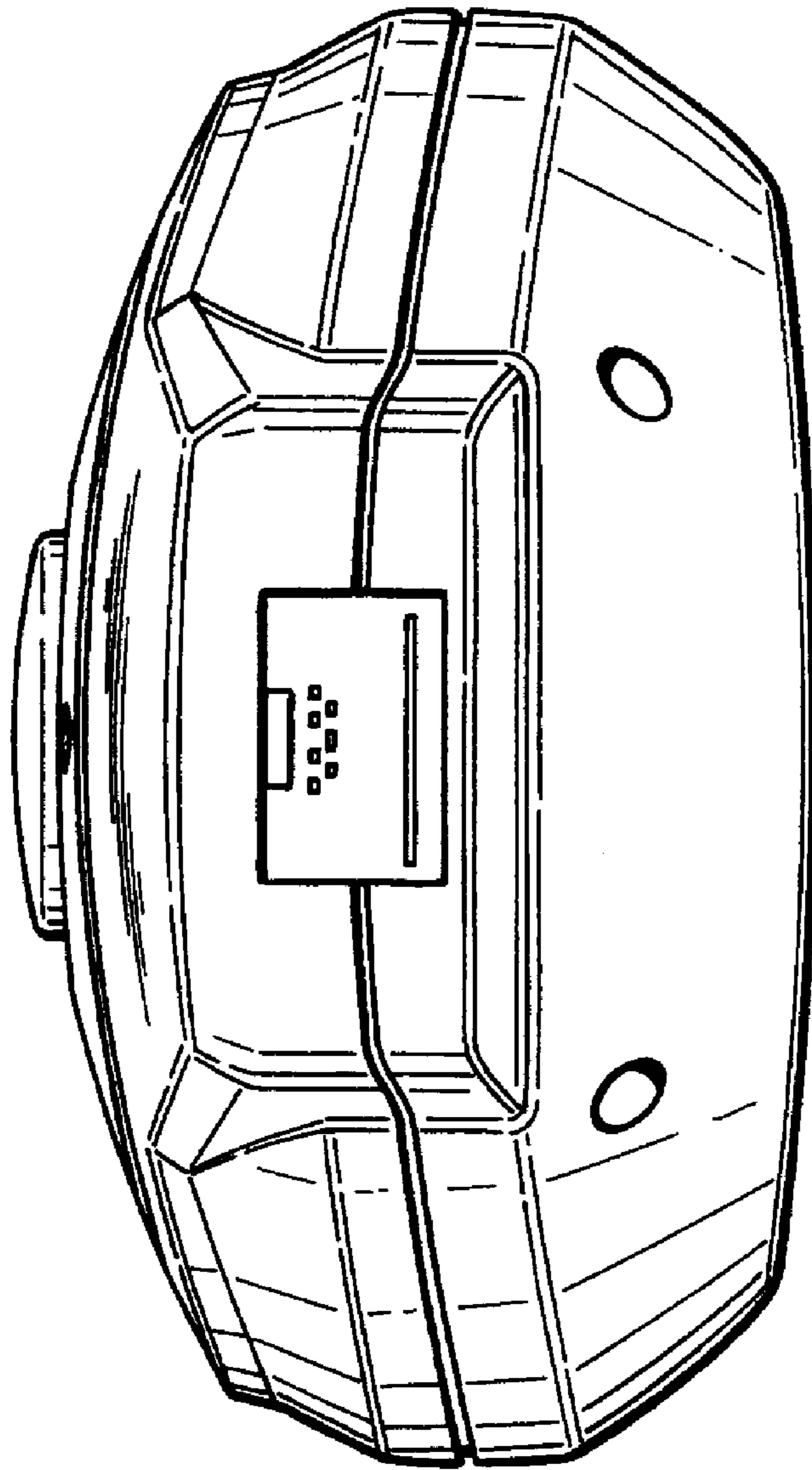


FIGURE 6

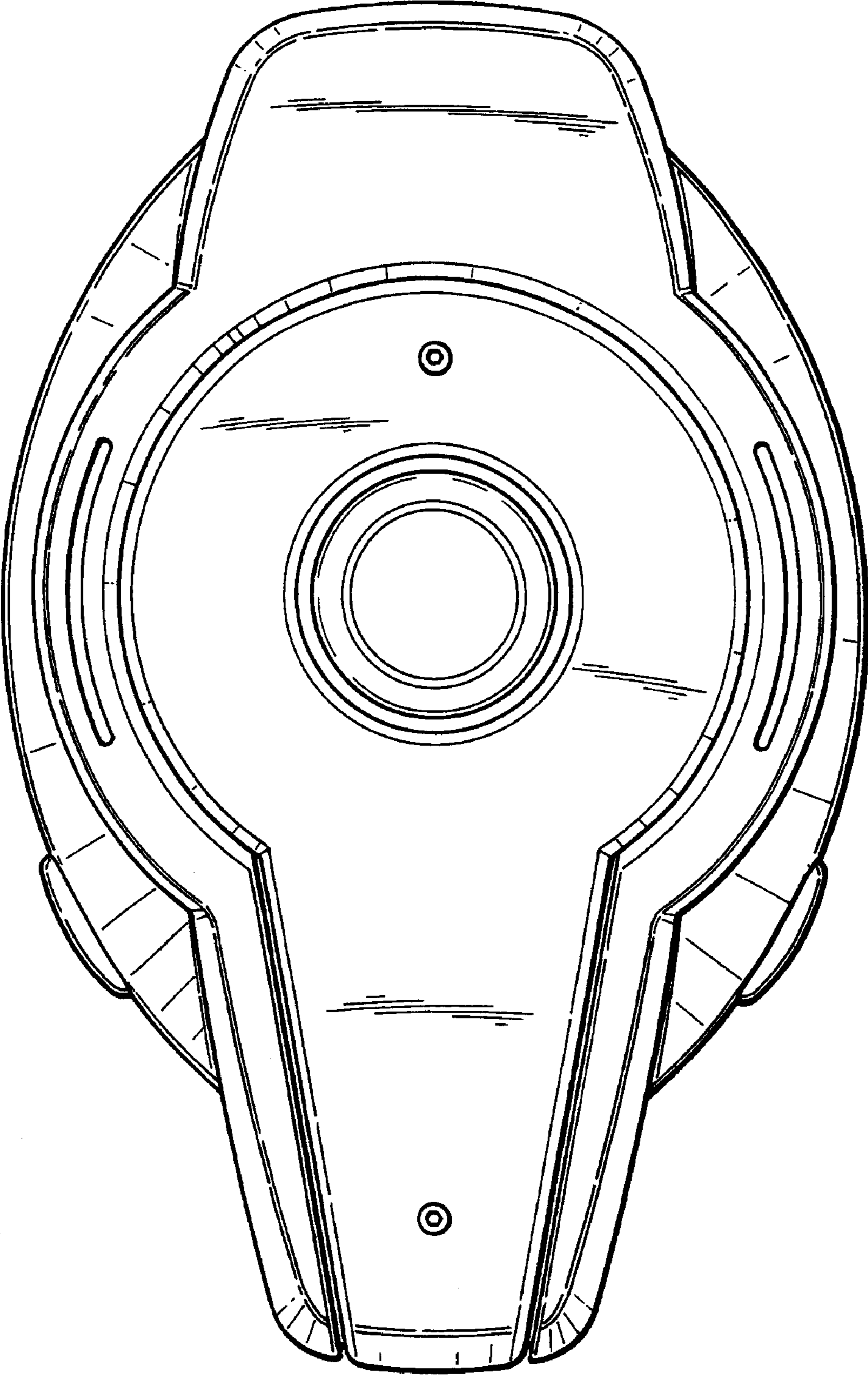


FIGURE 7

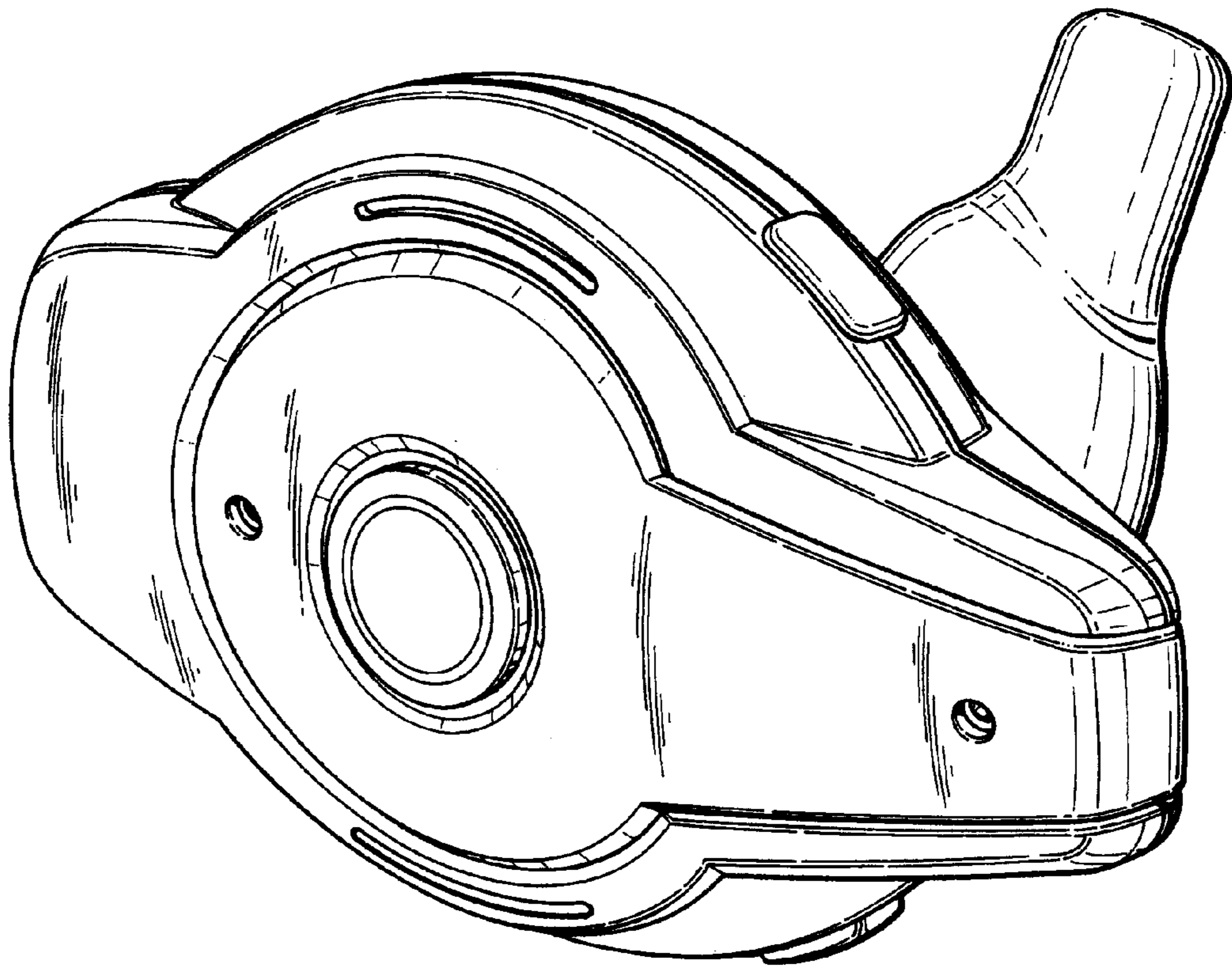


FIGURE 8

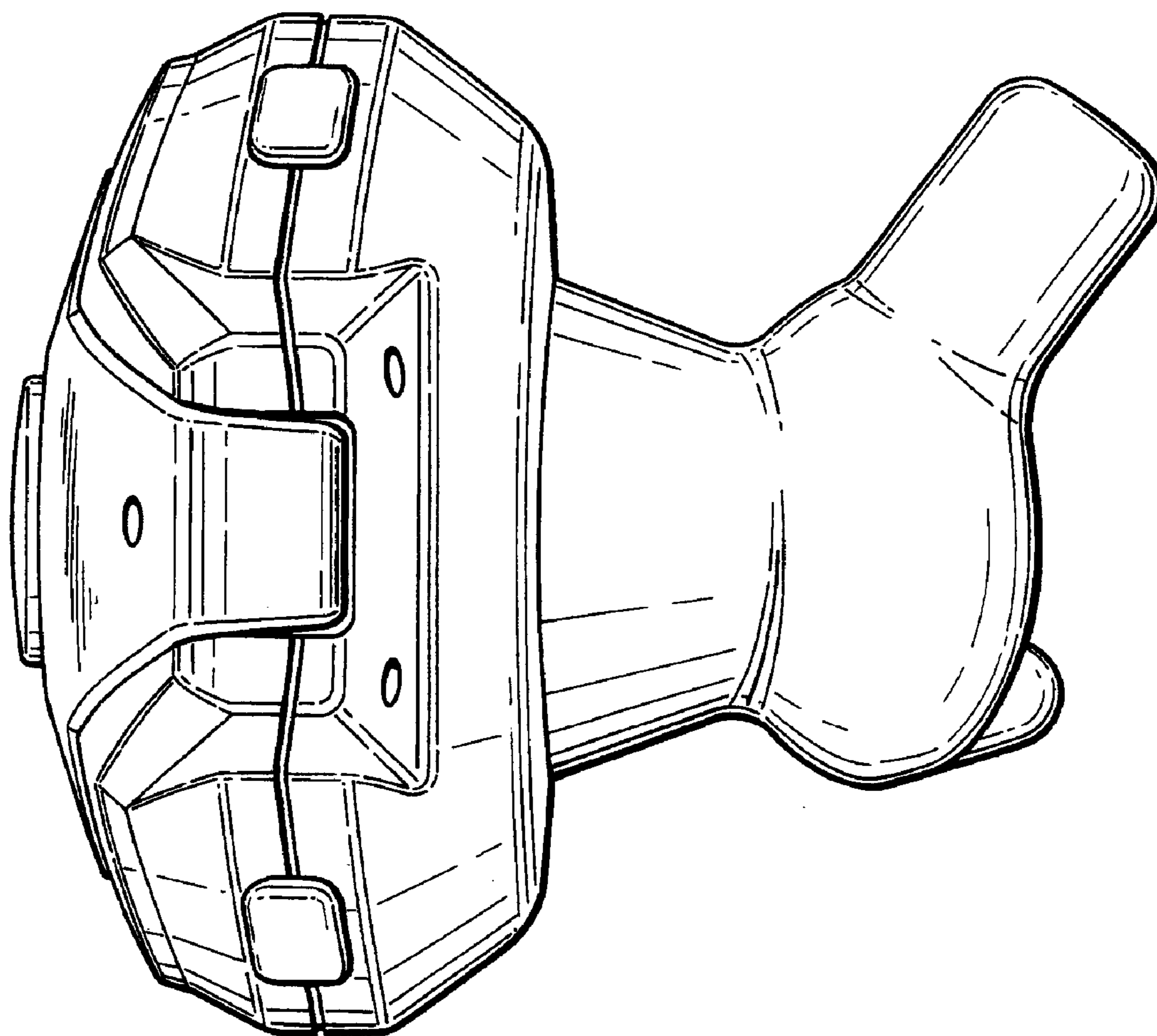


FIGURE 9

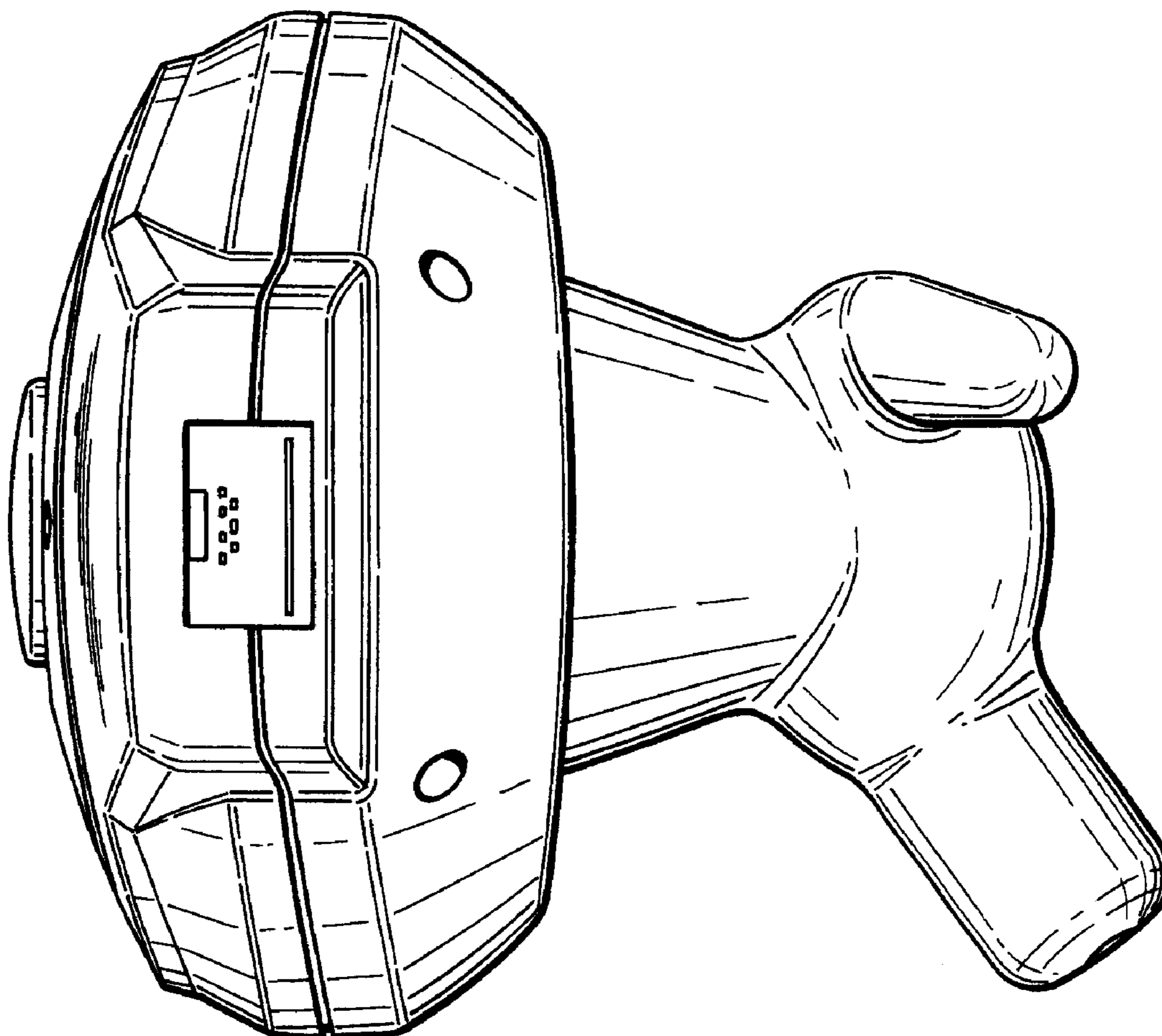


FIGURE 10

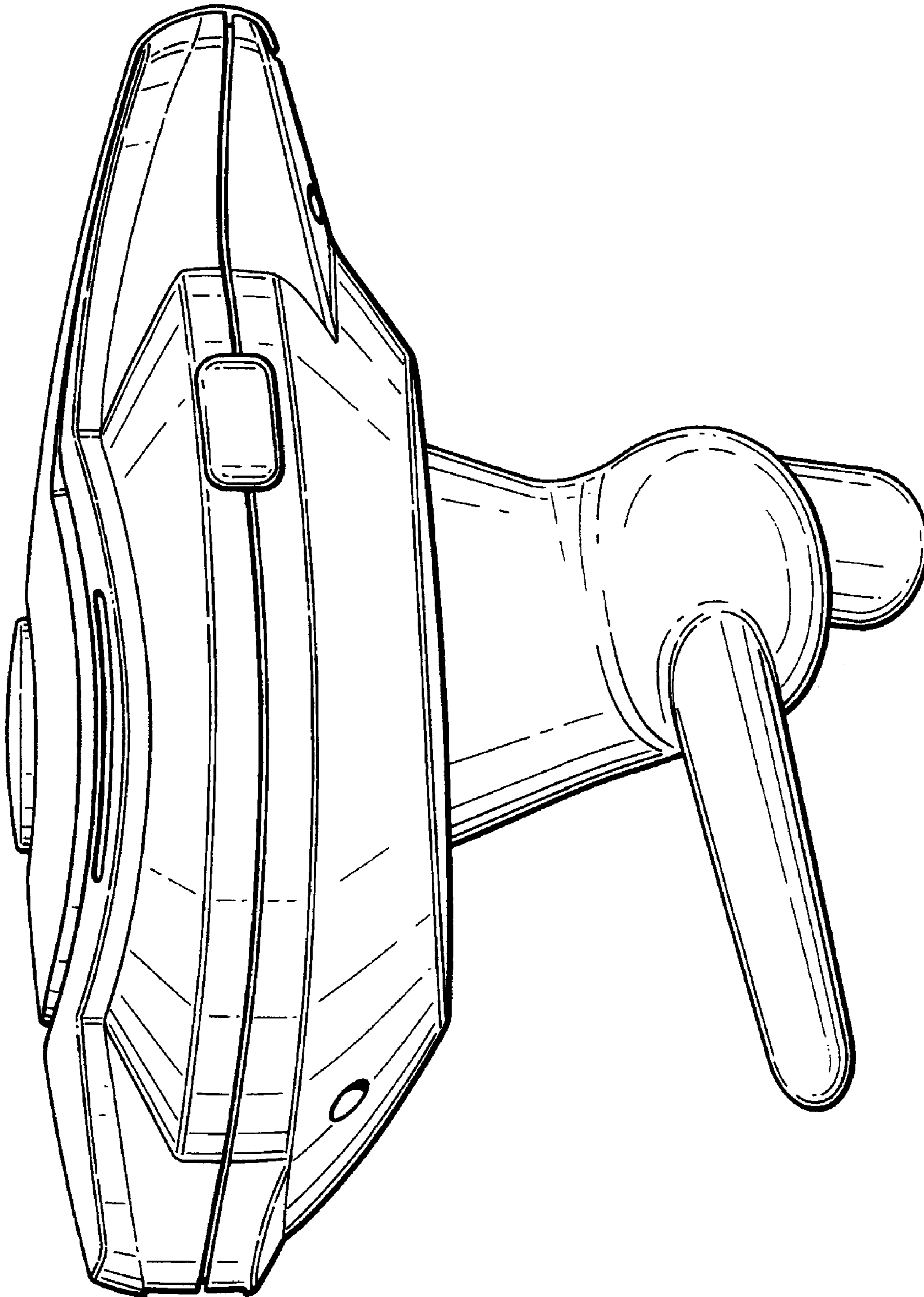


FIGURE 11

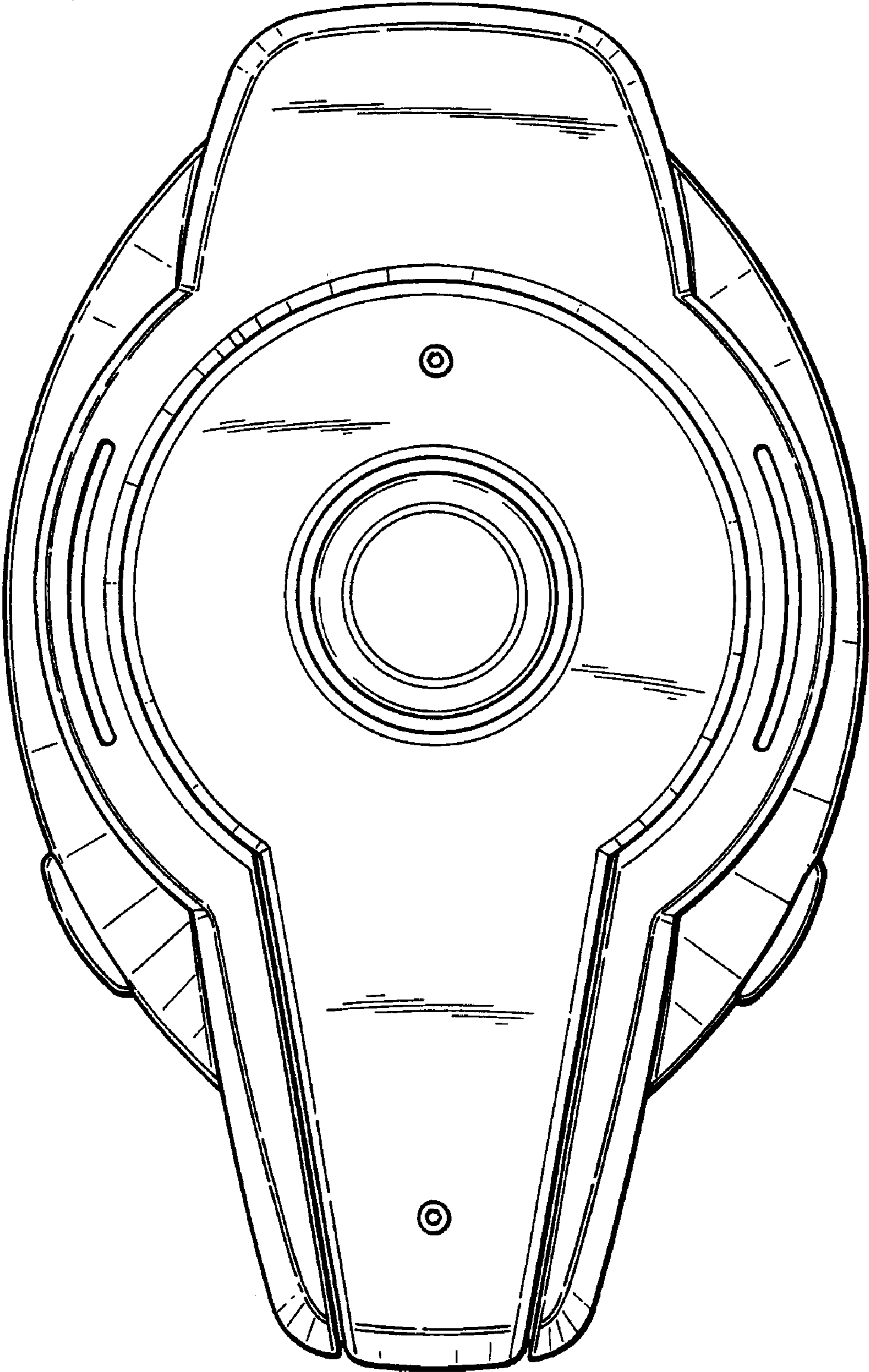


FIGURE 12

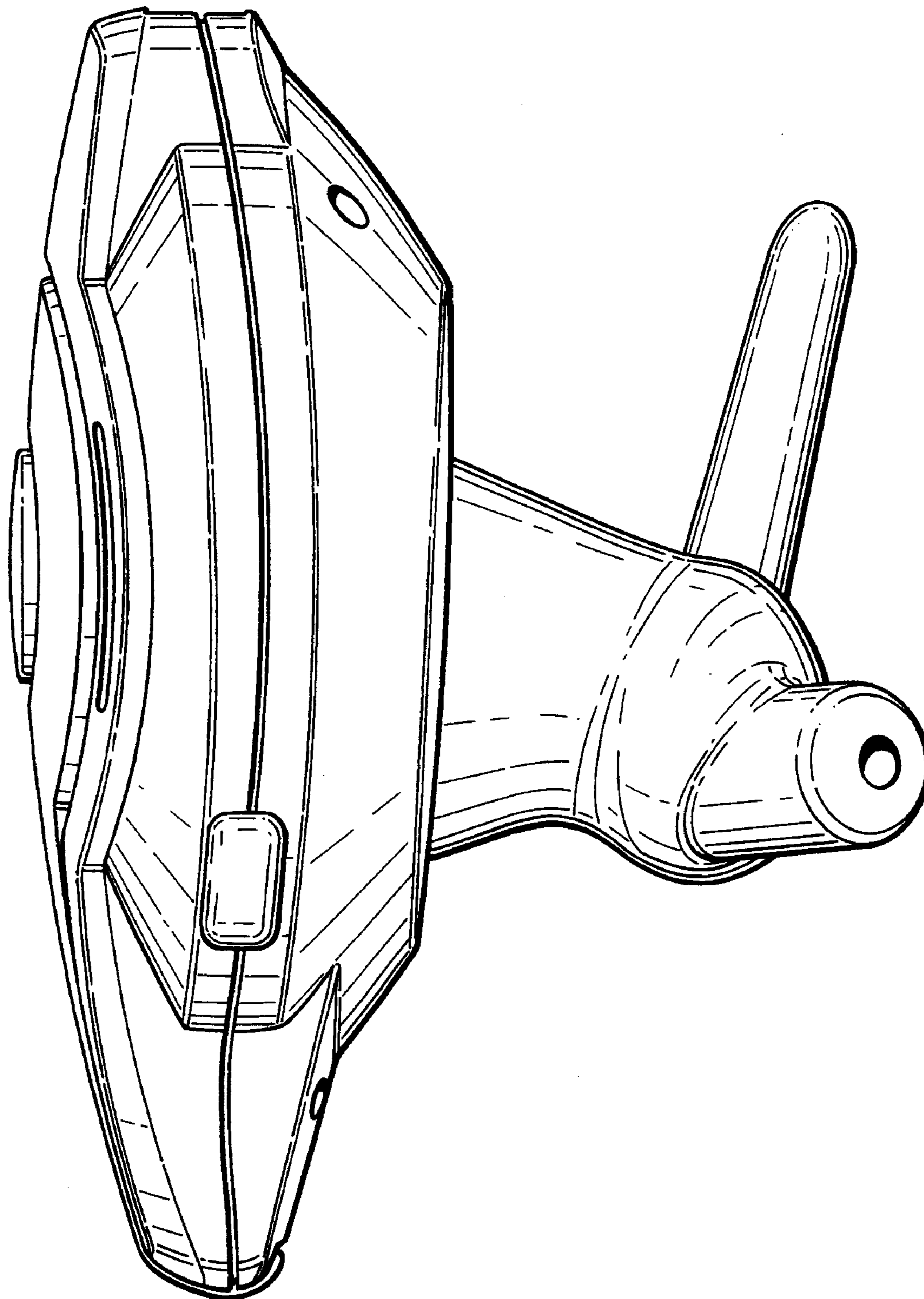


FIGURE 13

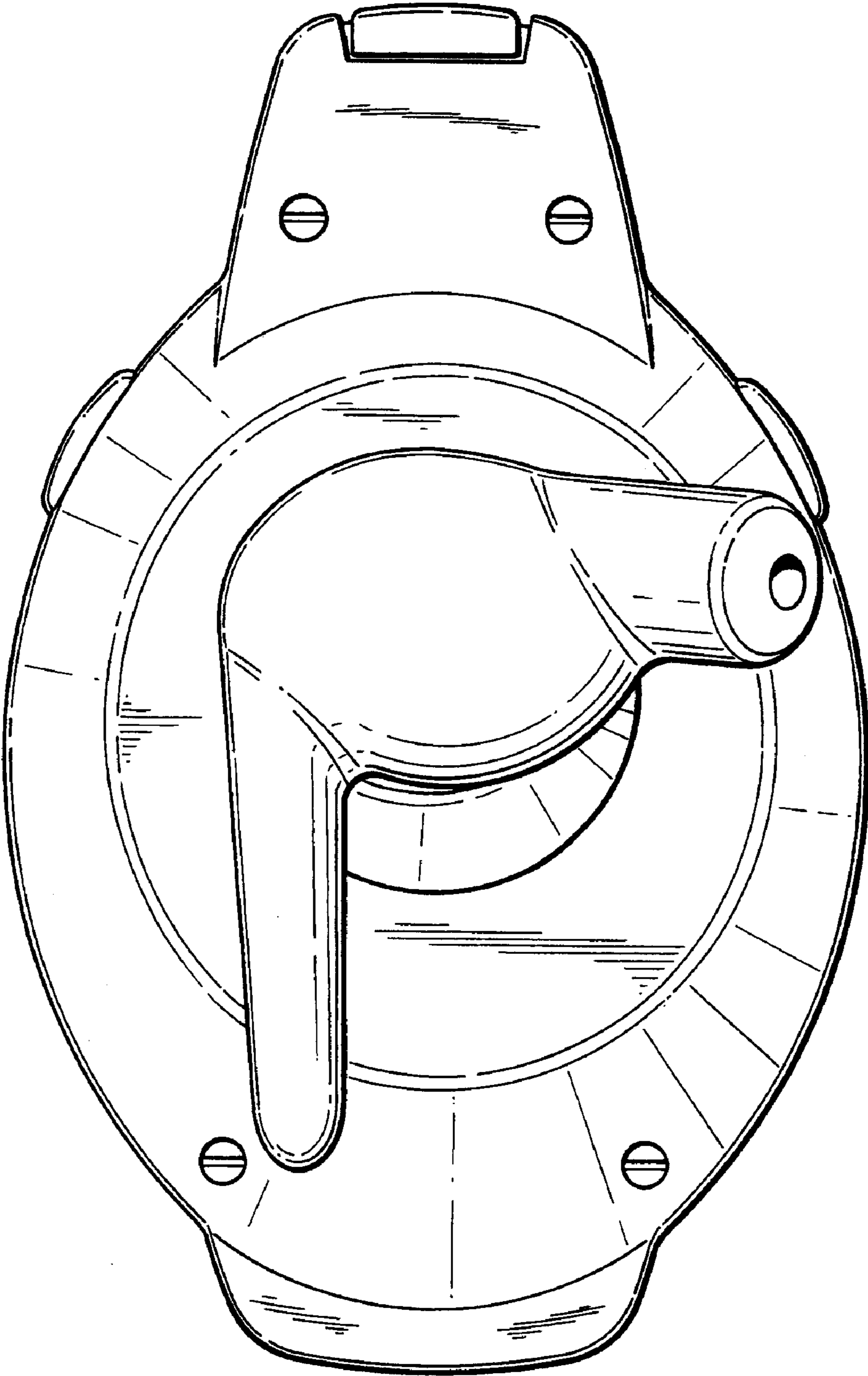


FIGURE 14