

US00D532518S

(12) **United States Design Patent** (10) **Patent No.:** **US D532,518 S**
Eda et al. (45) **Date of Patent:** **** Nov. 21, 2006**

(54) **SPHYGMOMANOMETER**

(75) Inventors: **Kenji Eda**, Osaka (JP); **Takahide Tanaka**, Shiga (JP); **Yosuke Fujii**, Osaka (JP); **Tadashi Koike**, Kyoto (JP); **Hiroya Nakanishi**, Kyoto (JP); **So Noguchi**, Osaka (JP); **Kiyoshi Motomura**, Osaka (JP)

(73) Assignee: **Omron Healthcare Co., Ltd.**, Kyoto (JP)

(**) Term: **14 Years**

(21) Appl. No.: **29/226,286**

(22) Filed: **Mar. 29, 2005**

(30) **Foreign Application Priority Data**

Sep. 29, 2004 (JP) D2004-029416
Sep. 29, 2004 (JP) D2004-029417

(51) **LOC (8) Cl.** **24-02**

(52) **U.S. Cl.** **D24/165**

(58) **Field of Classification Search** D24/169, D24/165, 186; 600/502, 503, 499, 494, 490, 600/485, 500, 492, 480, 493, 495, 479; 128/900
See application file for complete search history.

(56) **References Cited**

U.S. PATENT DOCUMENTS

D315,020 S * 2/1991 Sakaguchi et al. D24/165
D338,271 S * 8/1993 Yoshikawa et al. D24/165
D420,446 S * 2/2000 Kehr et al. D24/186
D459,811 S * 7/2002 Maus et al. D24/169

* cited by examiner

Primary Examiner—Ian Simmons

Assistant Examiner—Daniel Yu

(74) *Attorney, Agent, or Firm*—Harness, Dickey & Pierce, P.L.C.

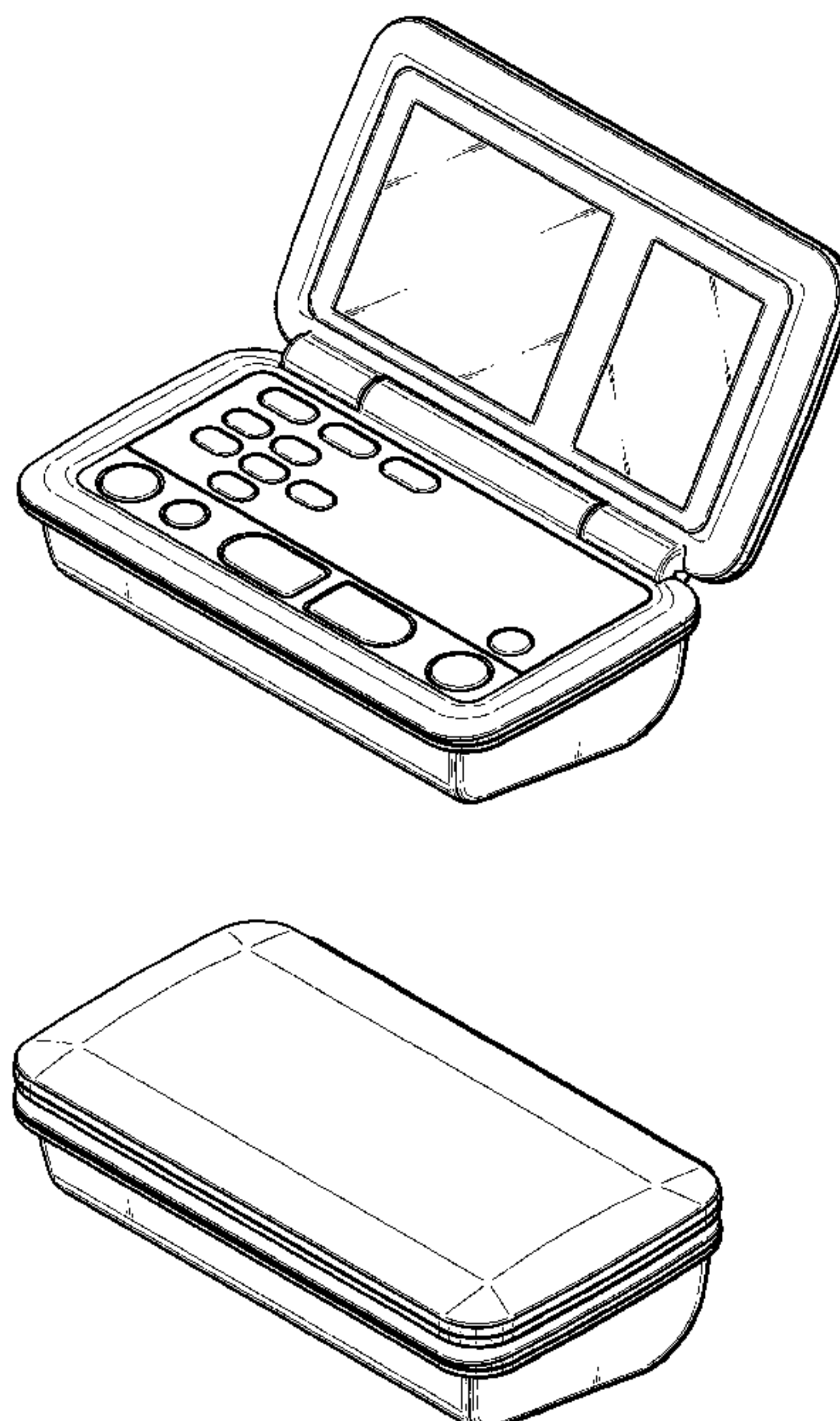
(57) **CLAIM**

The ornamental design for a sphygmomanometer, as shown and described.

DESCRIPTION

FIG. 1, is a perspective view of the first embodiment of a sphygmomanometer showing our new design;
FIG. 2 is a front elevational view thereof;
FIG. 3 is a rear elevational view thereof;
FIG. 4 is a top plan view thereof;
FIG. 5 is a bottom plan view thereof;
FIG. 6 is a right side elevational view thereof;
FIG. 7 is a left side elevational view thereof;
FIG. 8 is a right side elevational view showing a condition in which the cover is fully opened thereof;
FIG. 9 is a top plan view according to reference arrow layout of FIG. 8 thereof;
FIG. 10 is a perspective view showing a condition in which the cover is closed thereof;
FIG. 11 is a front elevational view showing a condition in which the cover is closed thereof;
FIG. 12 is a rear elevational view showing a condition in which the cover is closed thereof;
FIG. 13 is a top plan view showing a condition in which the cover is closed thereof;
FIG. 14 is a bottom plan view showing a condition in which the cover is closed thereof;
FIG. 15 is a right side elevational view showing a condition in which the cover is closed thereof; and,
FIG. 16 is a left side elevational view showing a condition in which the cover is closed thereof.

1 Claim, 16 Drawing Sheets



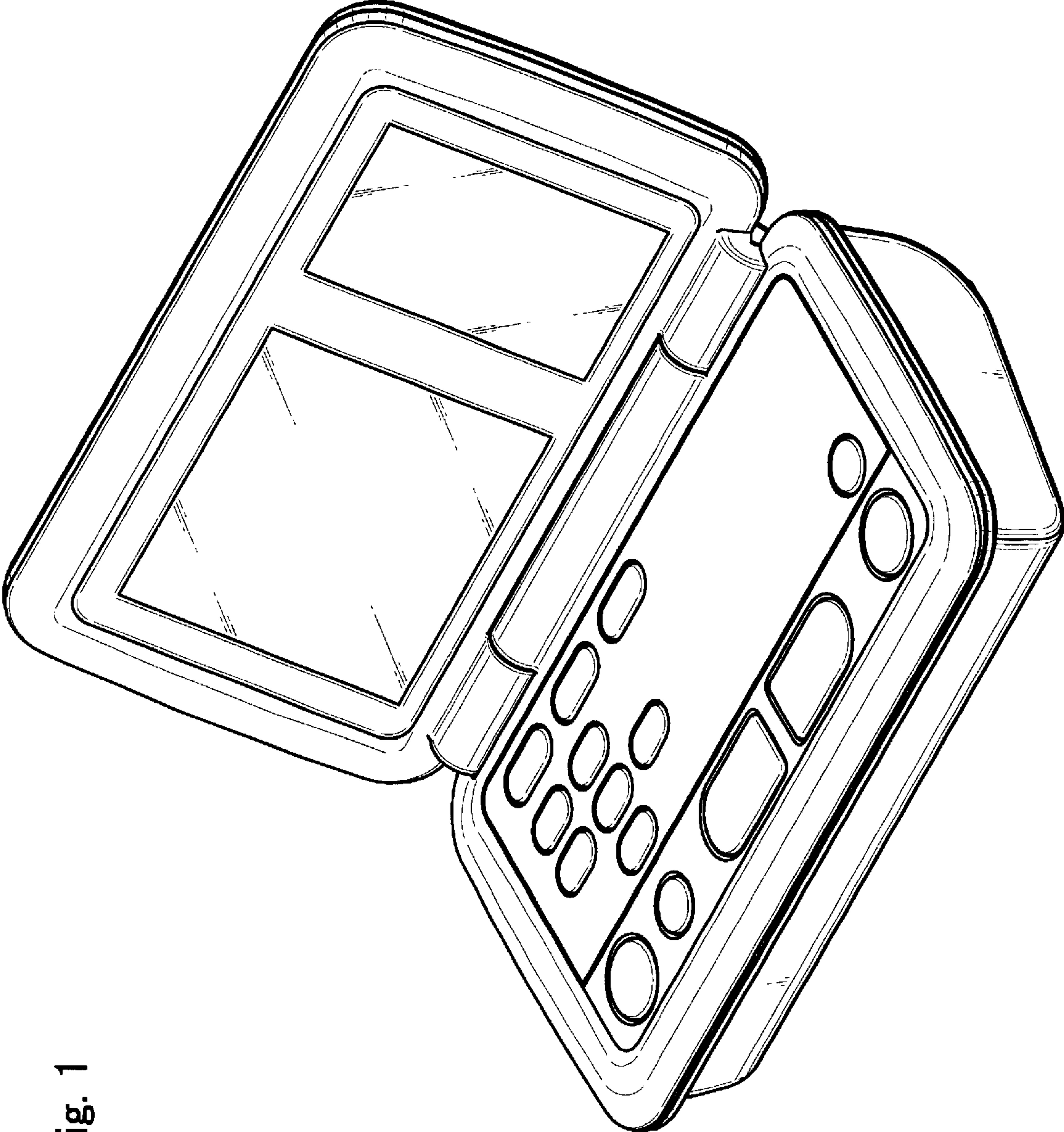


Fig. 1

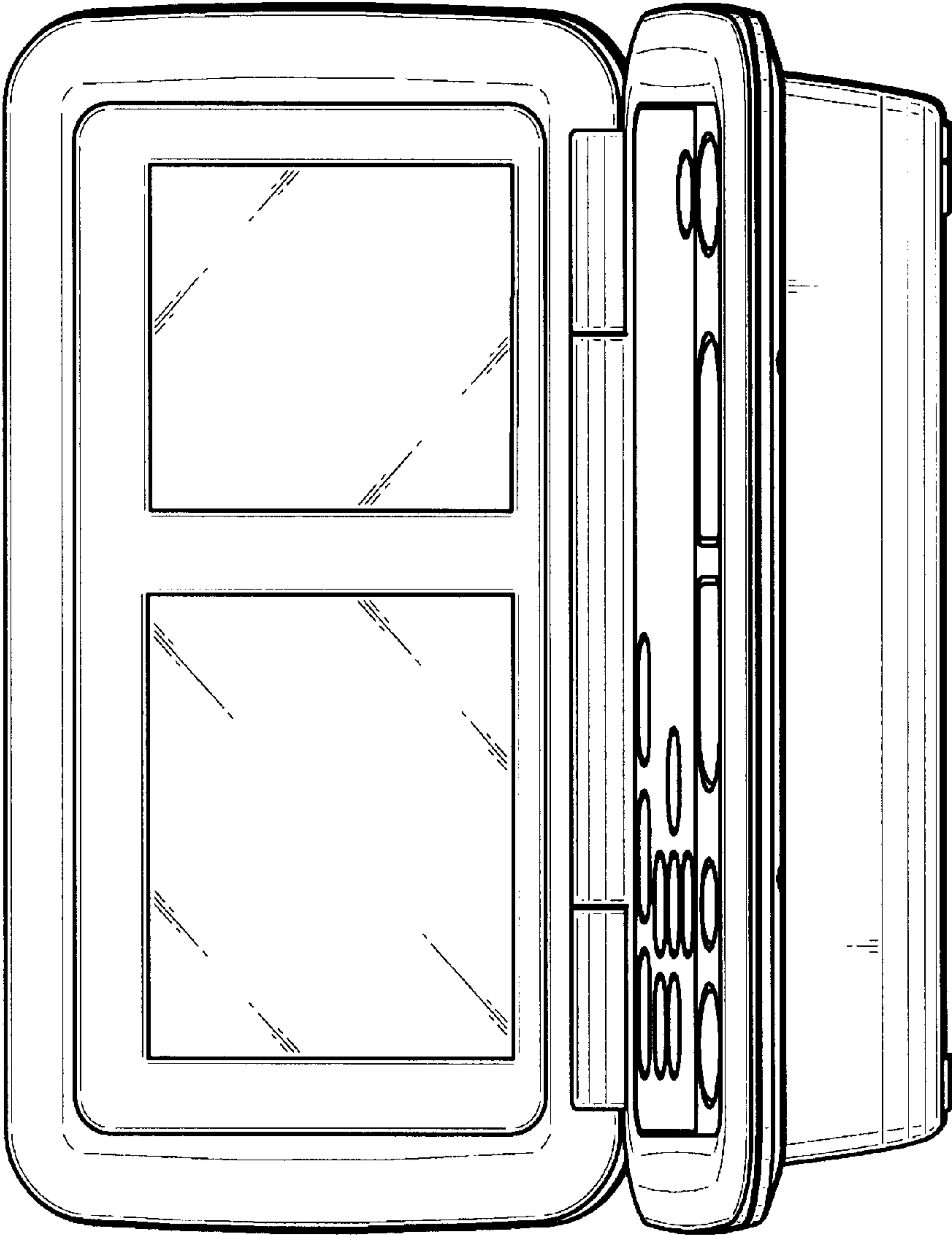


Fig. 2

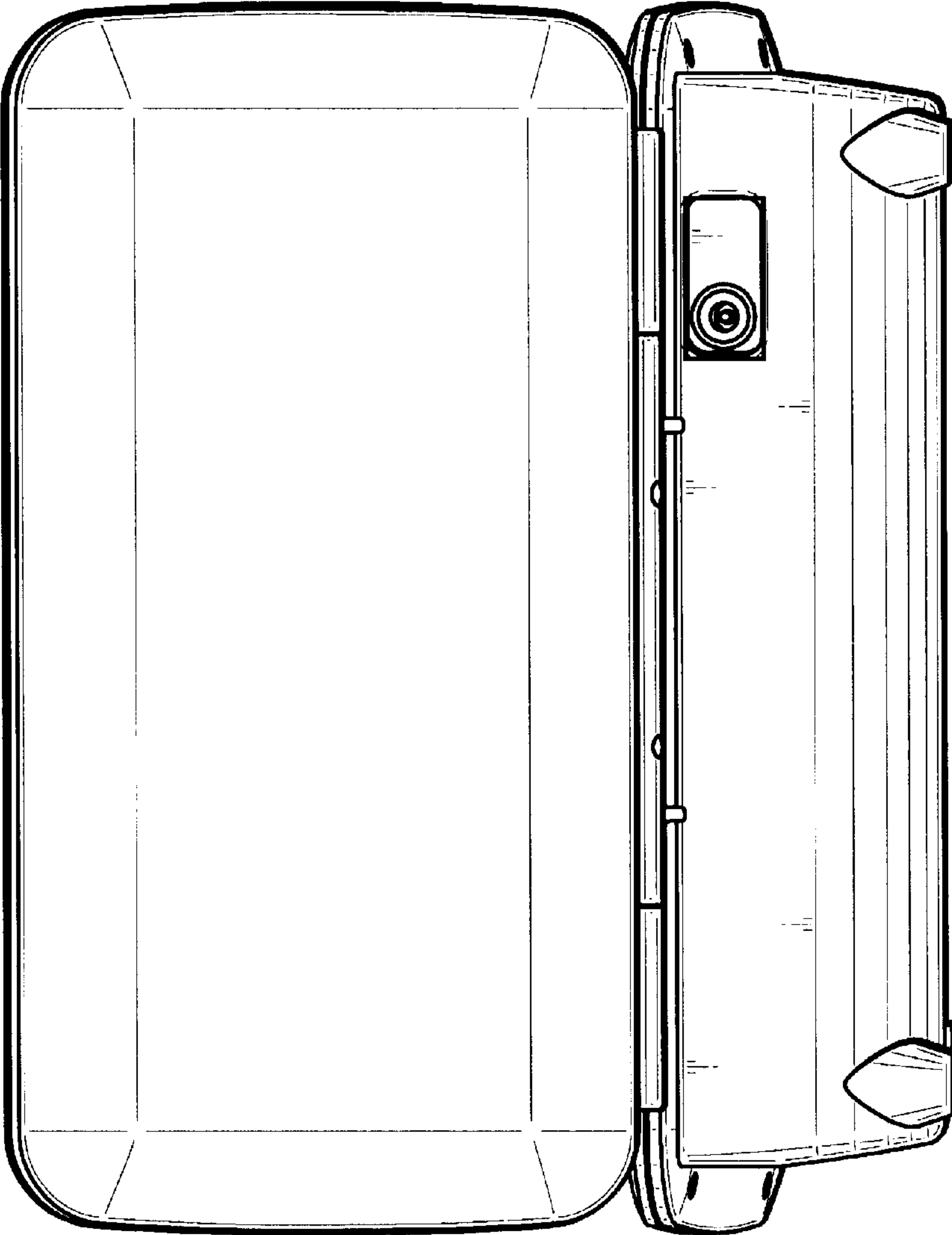
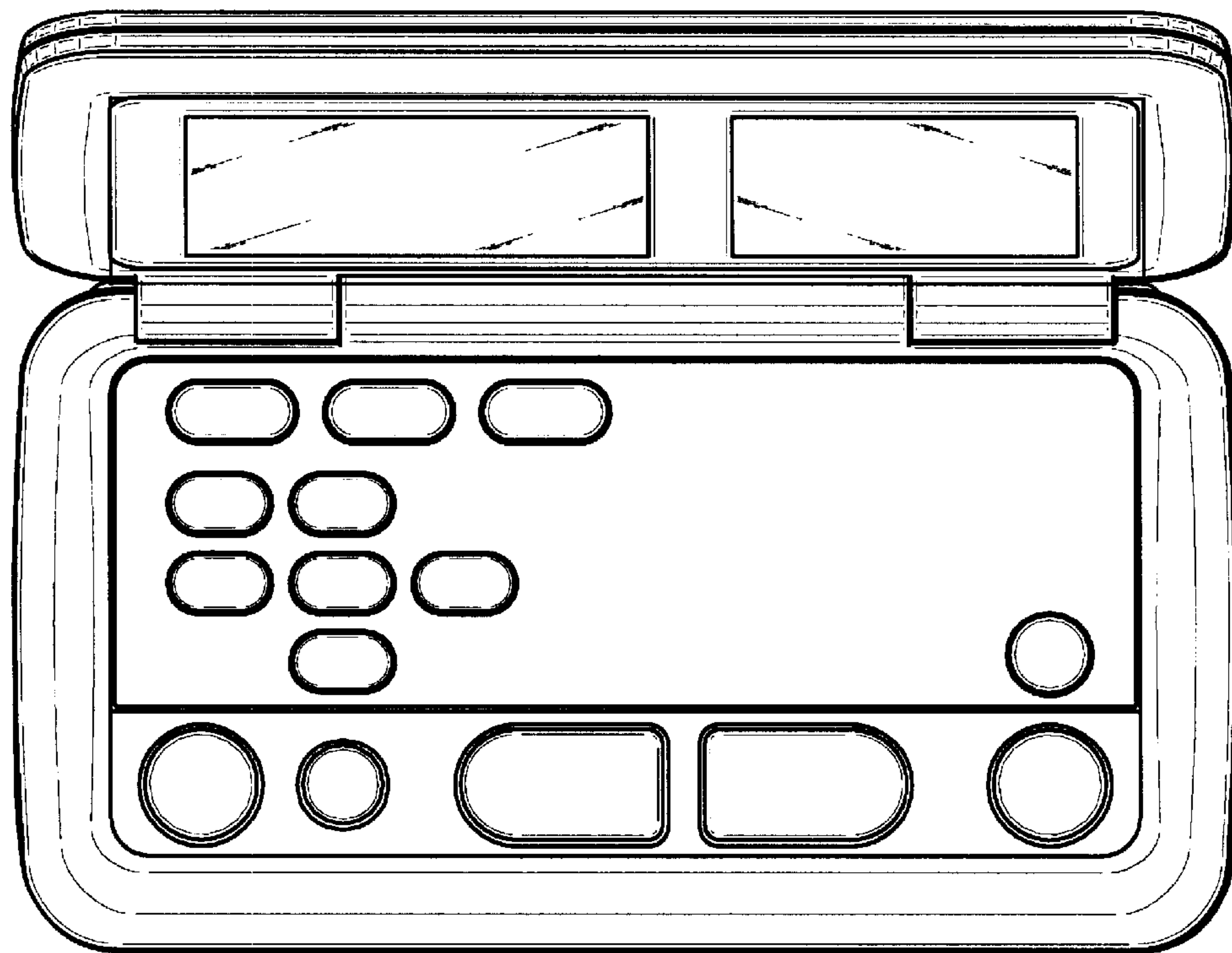


Fig. 3

Fig. 4



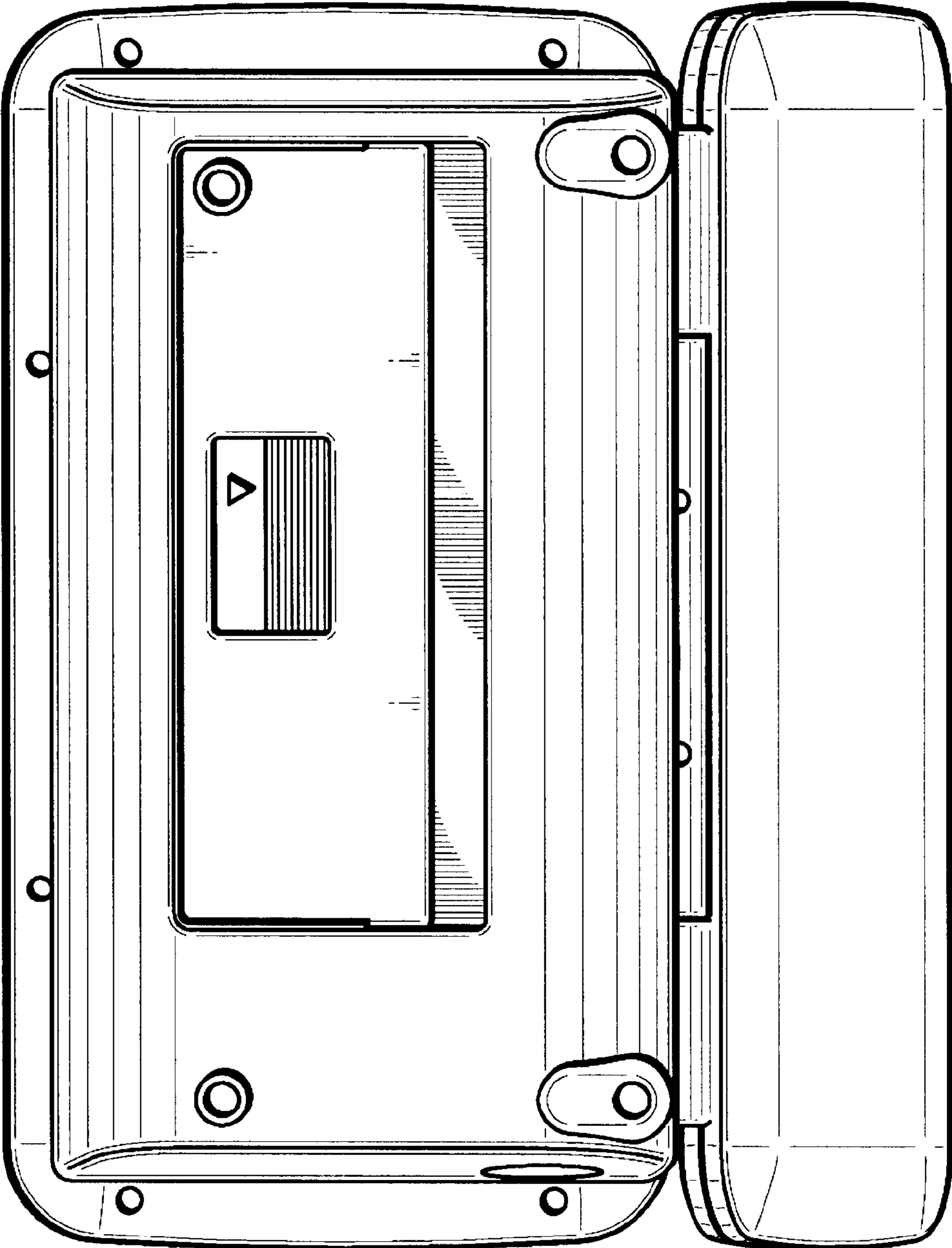


Fig. 5

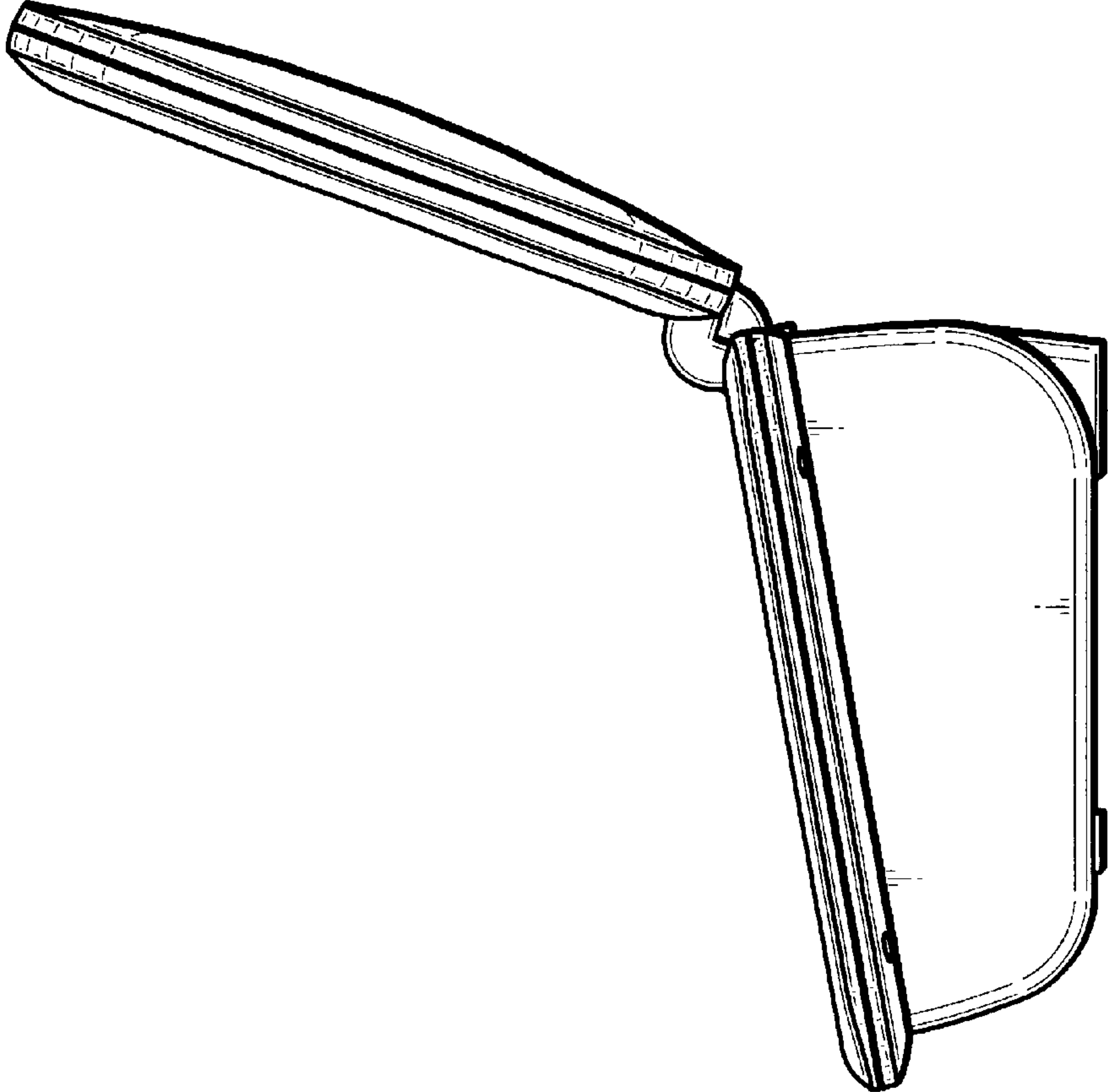


Fig. 6

Fig. 7

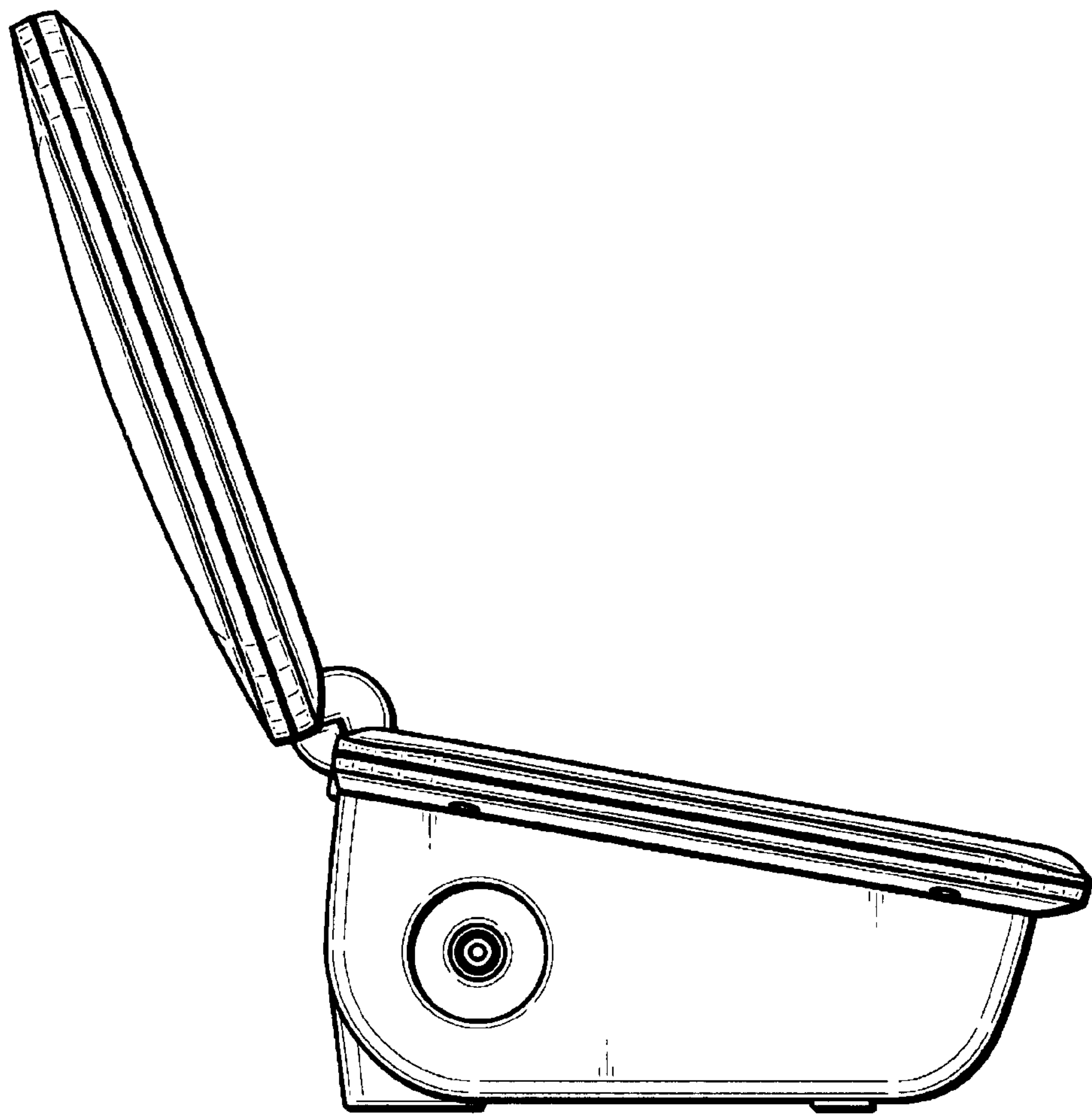


Fig. 8

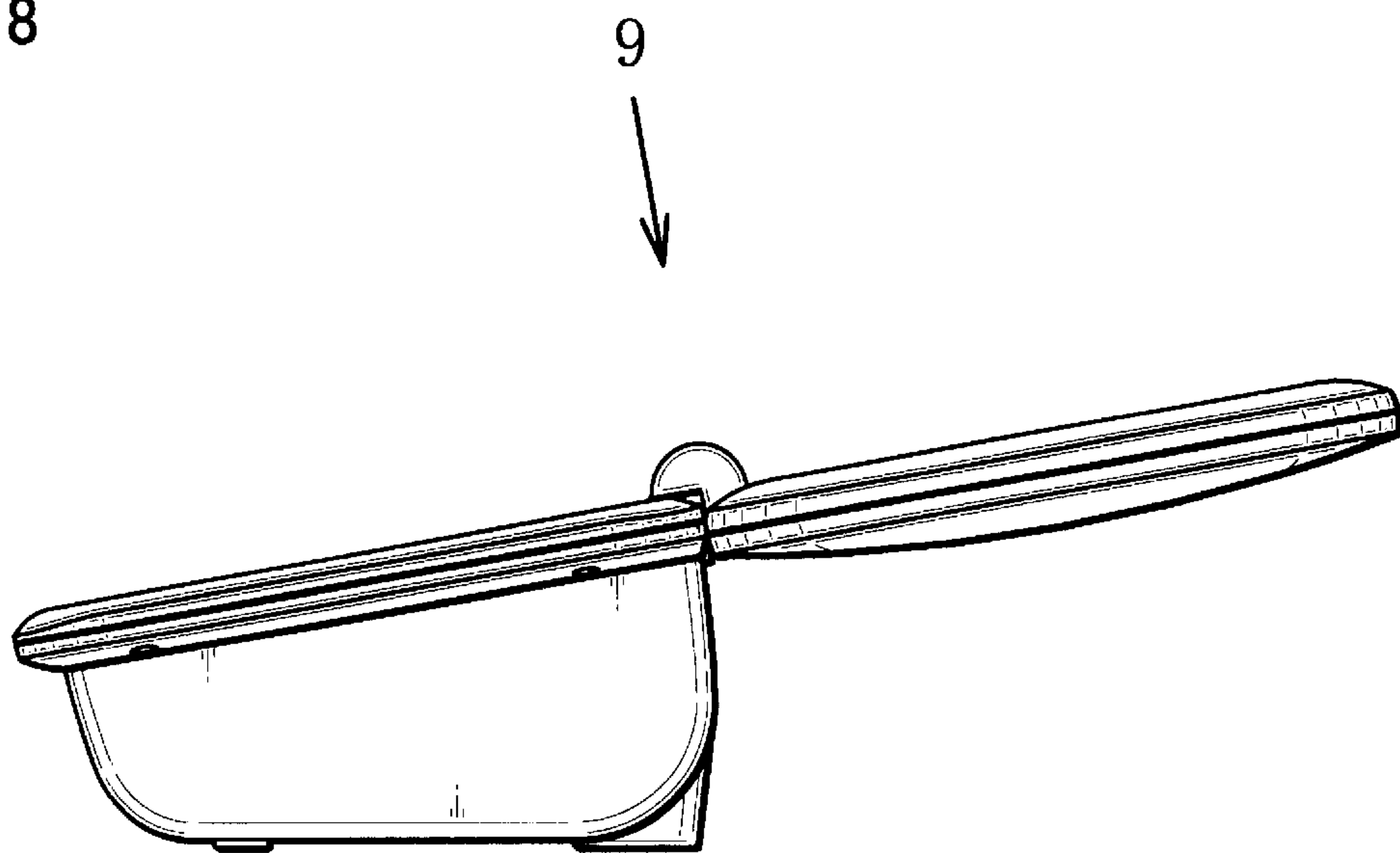


Fig. 9

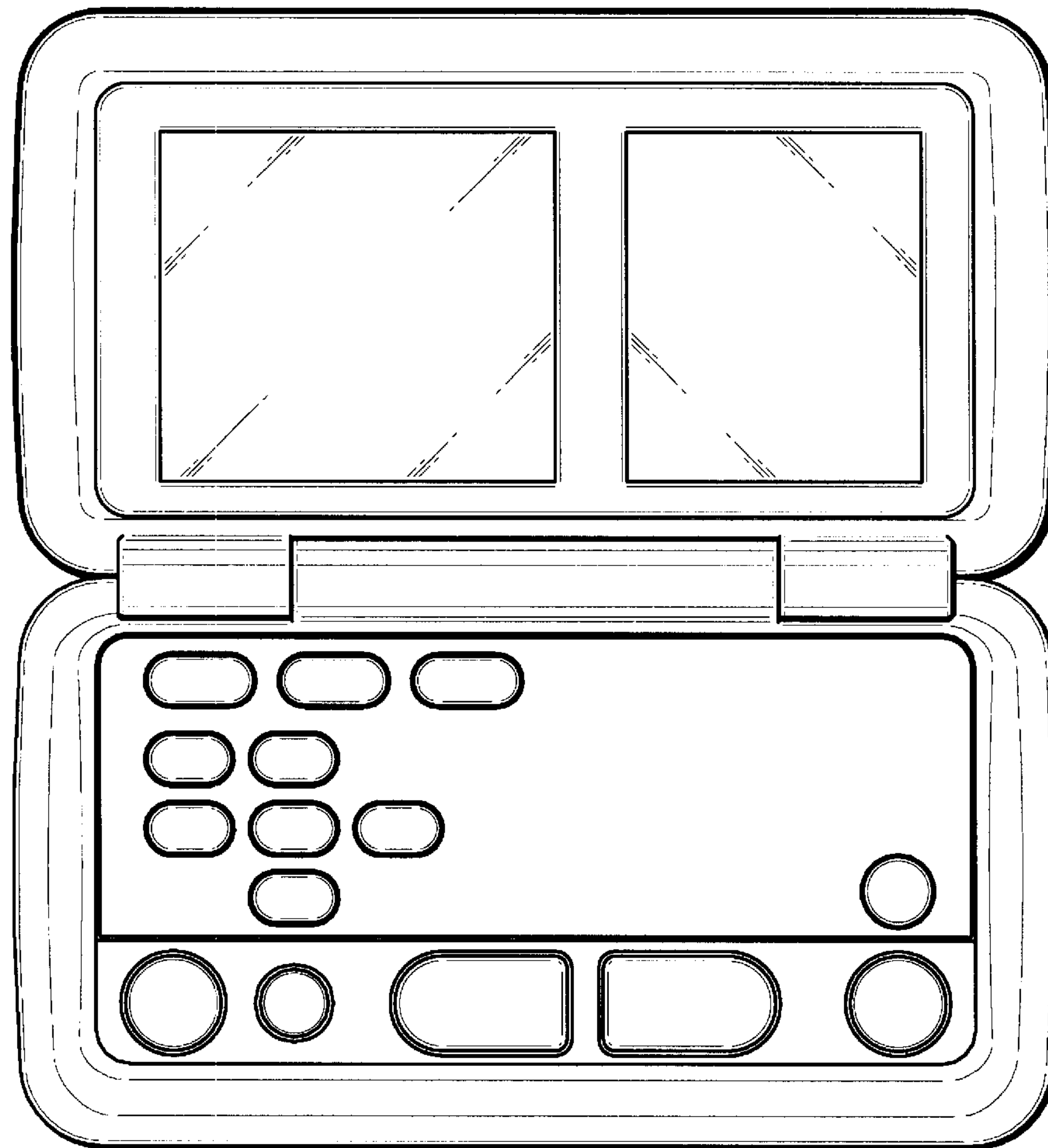


Fig. 10

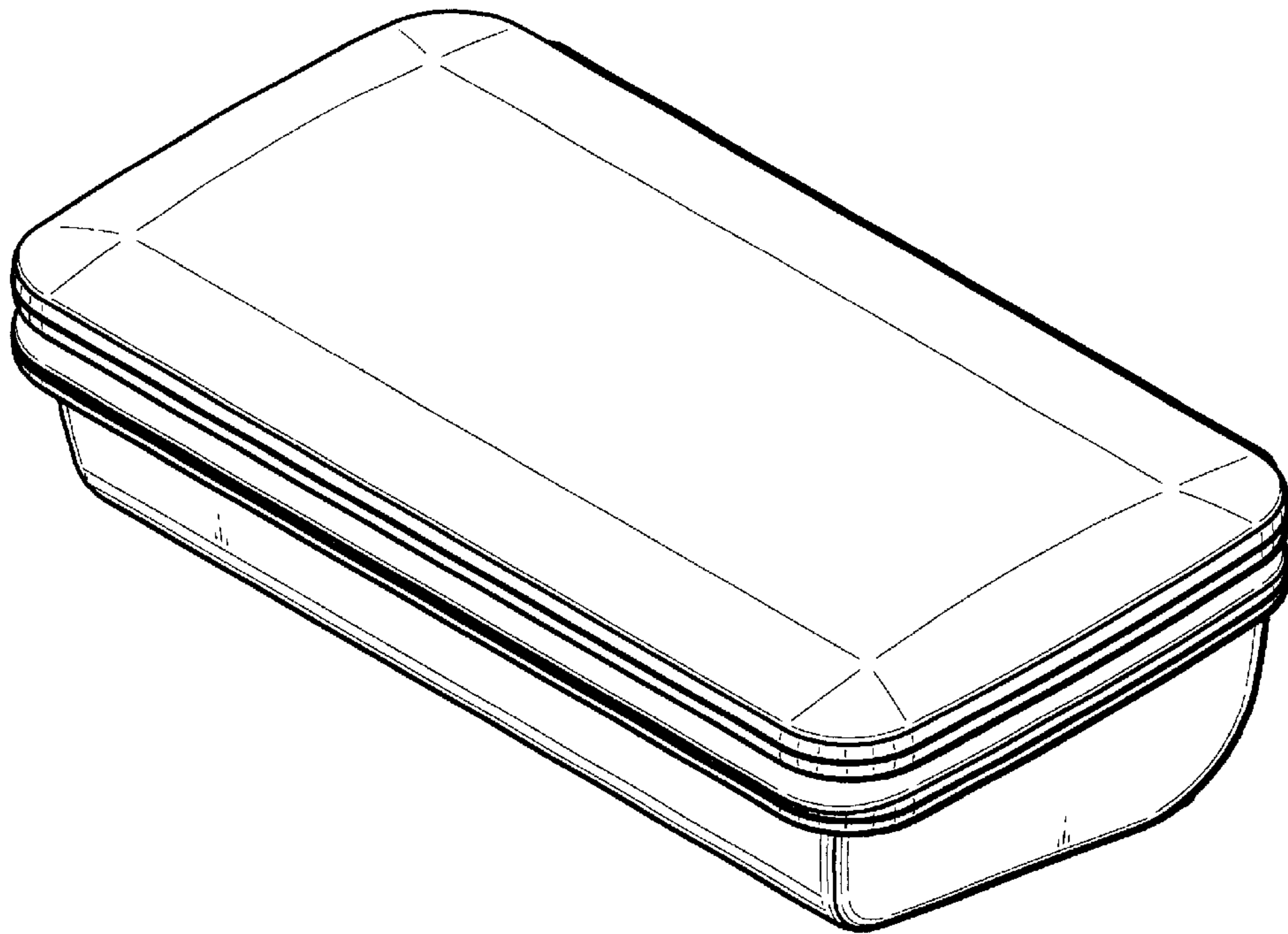


Fig. 11

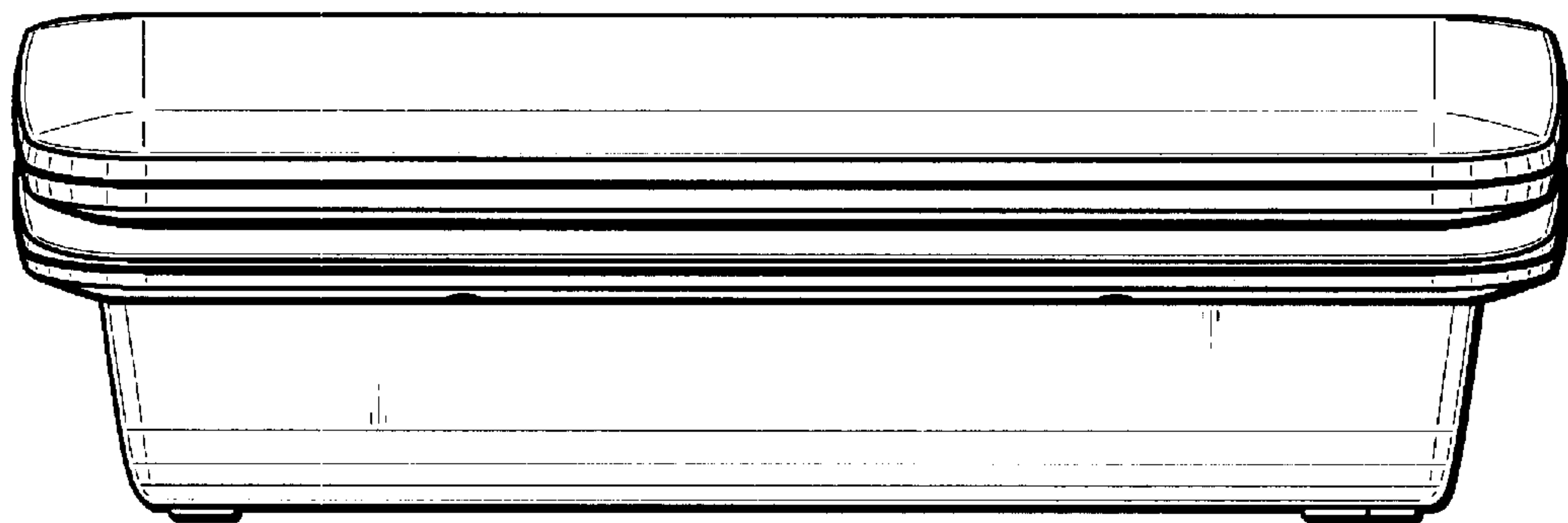


Fig. 12

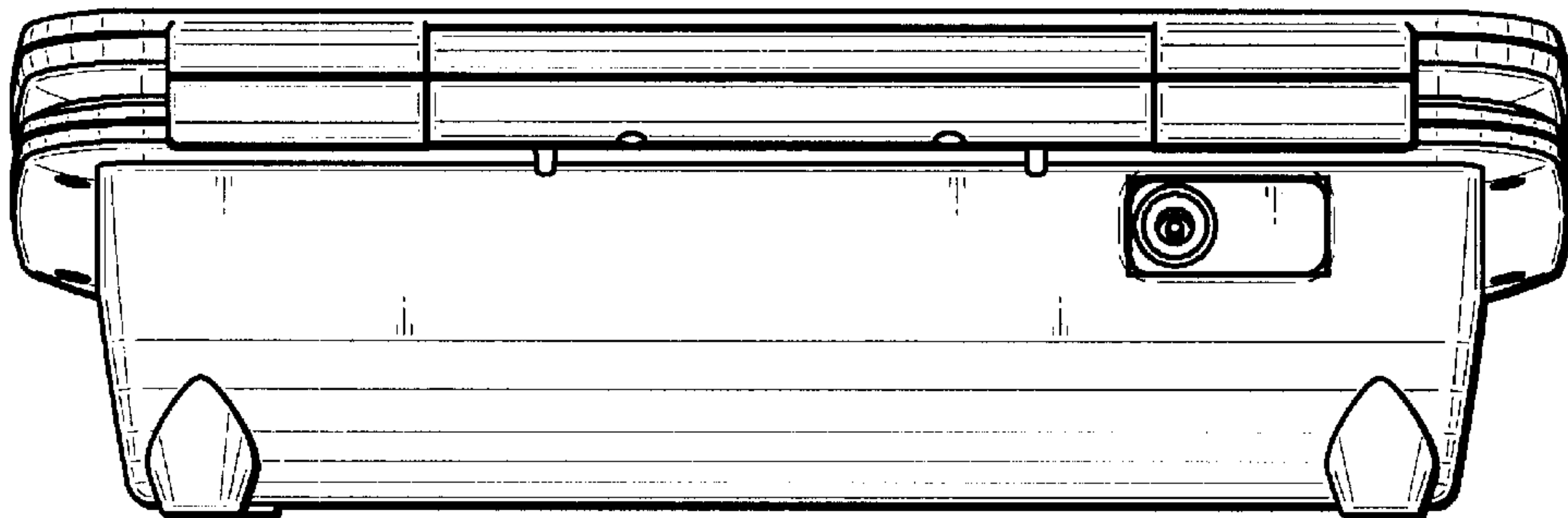
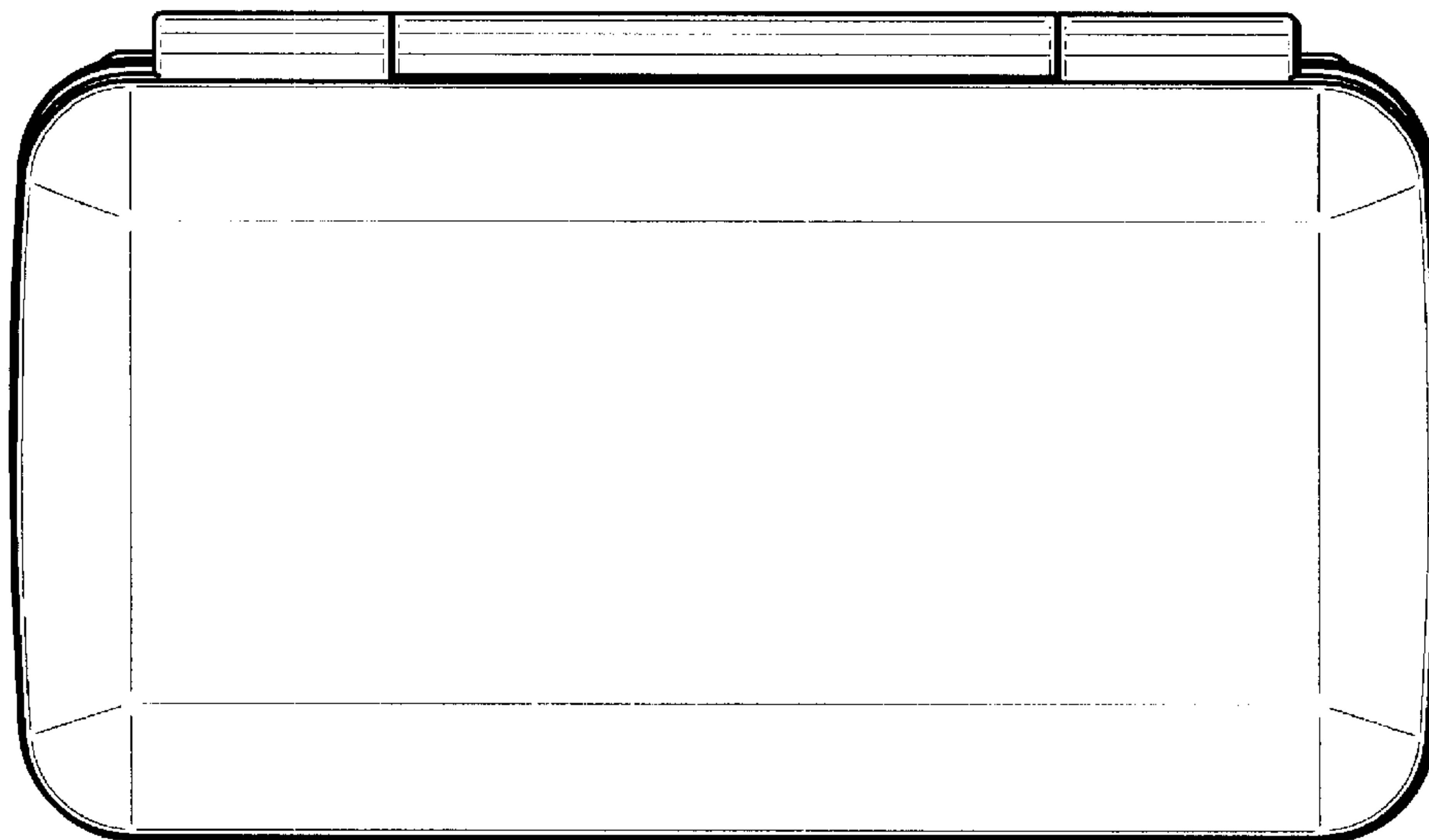


Fig. 13



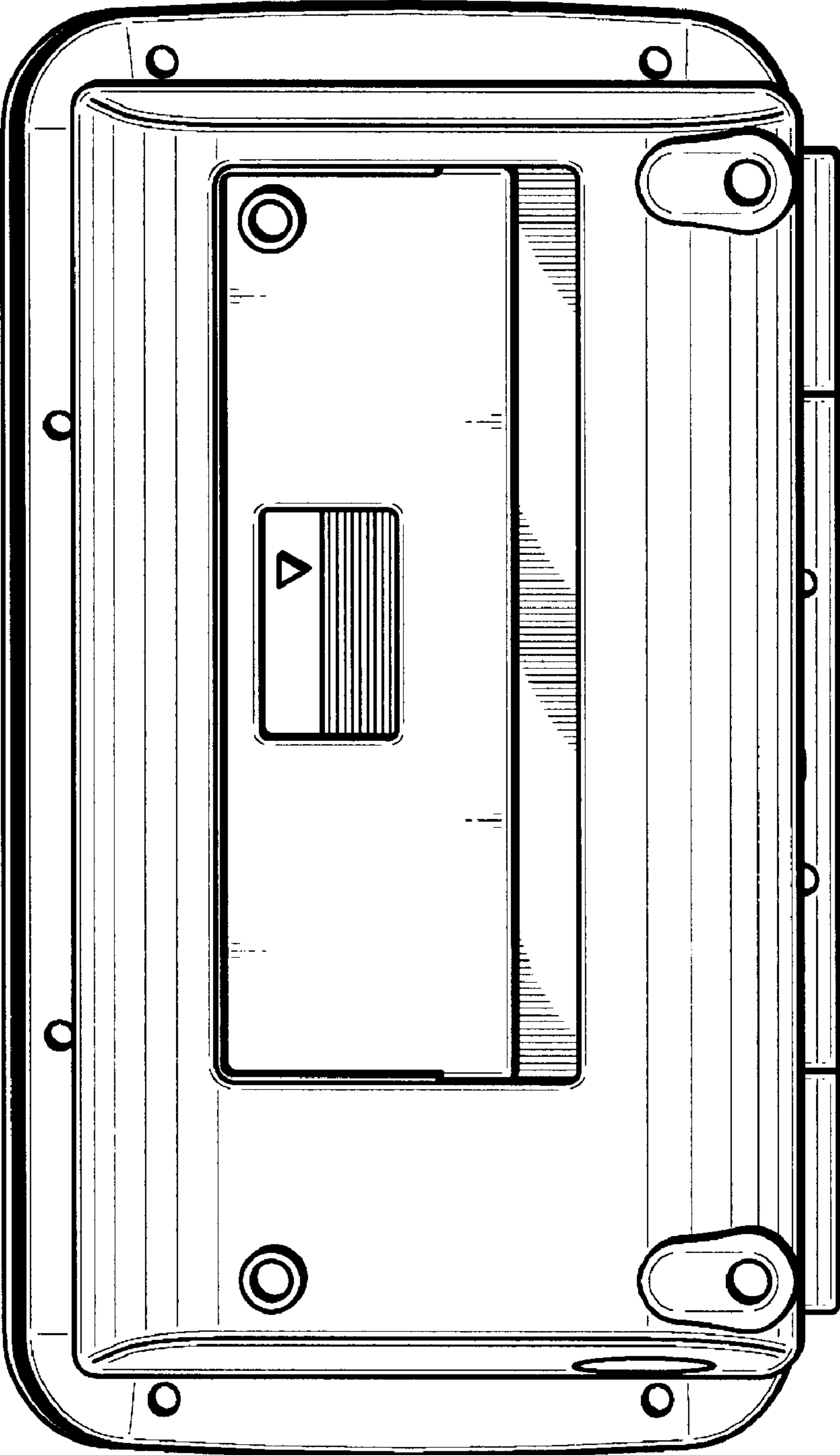


Fig. 14

Fig. 15

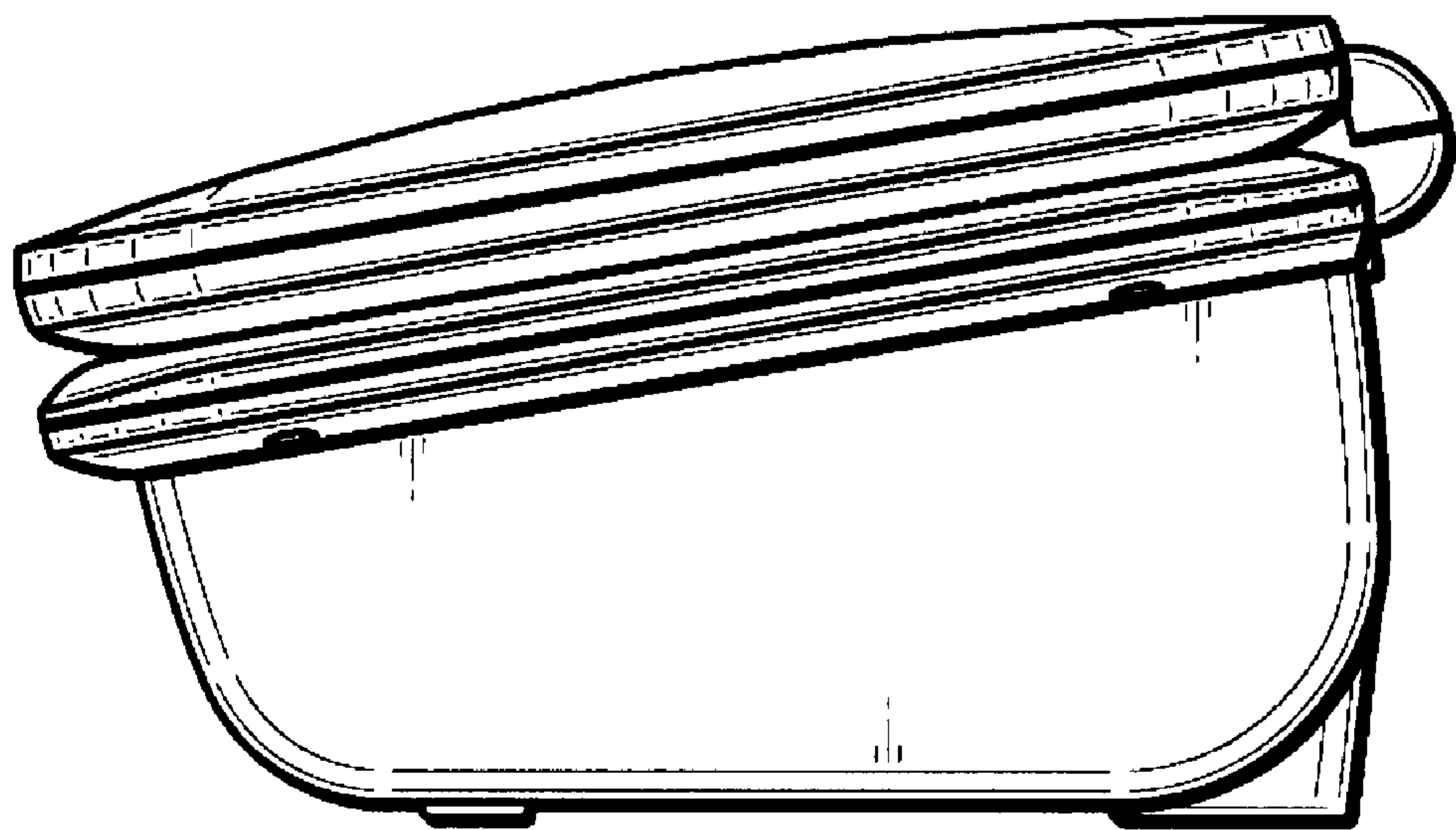


Fig. 16

