

US00D532513S

(12) **United States Design Patent**
Eddings

(10) **Patent No.:** **US D532,513 S**

(45) **Date of Patent:** **** Nov. 21, 2006**

(54) **HANDLE FOR AN INTRODUCER SHEATH**

(75) Inventor: **James R. Eddings**, Garland, TX (US)

(73) Assignee: **Galt Medical Corporation**, Garland, TX (US)

(**) Term: **14 Years**

(21) Appl. No.: **29/201,714**

(22) Filed: **Mar. 19, 2004**

(51) **LOC (8) Cl.** **24-02**

(52) **U.S. Cl.** **D24/127**

(58) **Field of Classification Search** D24/127,
D24/130, 112, 133; 604/164.05, 165.02,
604/165.03, 165.04, 160-161, 264, 523
See application file for complete search history.

(56) **References Cited**

U.S. PATENT DOCUMENTS

1,064,307 A	6/1913	Fleming
2,566,499 A	9/1951	Richter
3,628,524 A	12/1971	Jamshidi
3,653,388 A	4/1972	Tenckhoff
4,529,399 A	7/1985	Groshong et al.
4,596,559 A	6/1986	Fleischhacker et al.
4,747,833 A	5/1988	Kousai et al.
4,772,266 A	9/1988	Groshong et al.
4,840,613 A	6/1989	Balbierz
4,921,479 A	5/1990	Grayzel
4,983,168 A	1/1991	Moorehead
D318,733 S	7/1991	Wyzgala
5,098,392 A	3/1992	Fleischhacker et al.
5,125,902 A	6/1992	Berry et al.
5,125,904 A	6/1992	Lee
5,154,703 A	10/1992	Bonaldo
5,167,634 A	12/1992	Corrigan, Jr. et al.
5,221,263 A	6/1993	Sinko et al.
5,250,033 A	* 10/1993	Evans et al. 604/160
5,292,311 A	3/1994	Cope
5,312,355 A	5/1994	Lee

5,380,292 A	1/1995	Wilson
5,397,311 A	3/1995	Walker et al.
5,441,504 A	8/1995	Pohndorf et al.
5,489,273 A	2/1996	Whitney et al.
5,584,820 A	12/1996	Gunnamik
D378,130 S	2/1997	Schmidt
5,613,953 A	3/1997	Pohndorf
5,741,233 A	4/1998	Riddle et al.
5,743,882 A	4/1998	Luther
5,755,693 A	5/1998	Walker et al.
5,762,630 A	6/1998	Bley et al.
5,951,518 A	9/1999	Licata et al.
D425,198 S	* 5/2000	Porta D24/130
D430,290 S	8/2000	Cindrich et al.
6,273,871 B1	* 8/2001	Davis et al. 604/164.05
D450,839 S	11/2001	Junker
6,336,914 B1	1/2002	Gillespie, III
6,494,860 B1	* 12/2002	Rocamora et al. 604/161
6,663,595 B1	* 12/2003	Spohn et al. 604/161
6,796,991 B1	* 9/2004	Nardeo 604/164.05
2002/0107482 A1	* 8/2002	Rocamora et al. 604/161

* cited by examiner

Primary Examiner—Louis S. Zarfaz

Assistant Examiner—Daniel Yu

(74) *Attorney, Agent, or Firm*—John A. Thomas

(57) **CLAIM**

The ornamental design for a handle for an introducer sheath, as shown and described.

DESCRIPTION

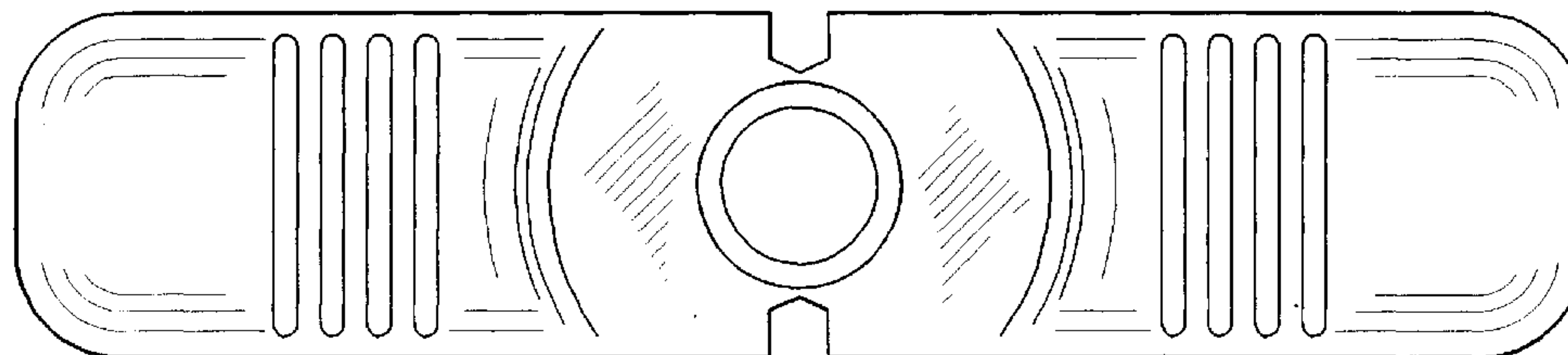
FIG. 1 is a top elevational view of the handle showing my design.

FIG. 2 is a bottom elevational view of the handle showing my design.

FIG. 3 is a side elevational view of the handle showing my design; and,

FIG. 4 is an end elevational view of the handle showing my design.

1 Claim, 2 Drawing Sheets



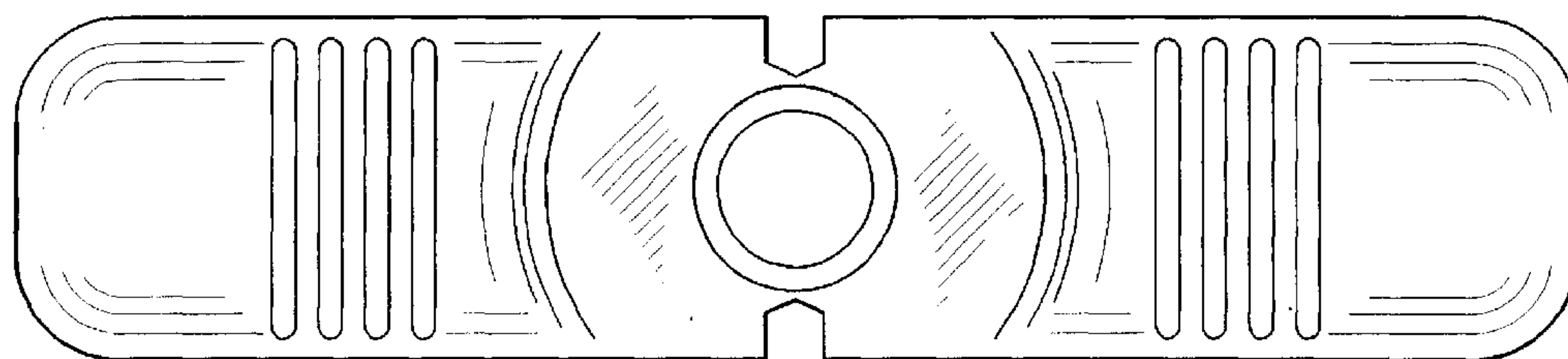


Fig. 1

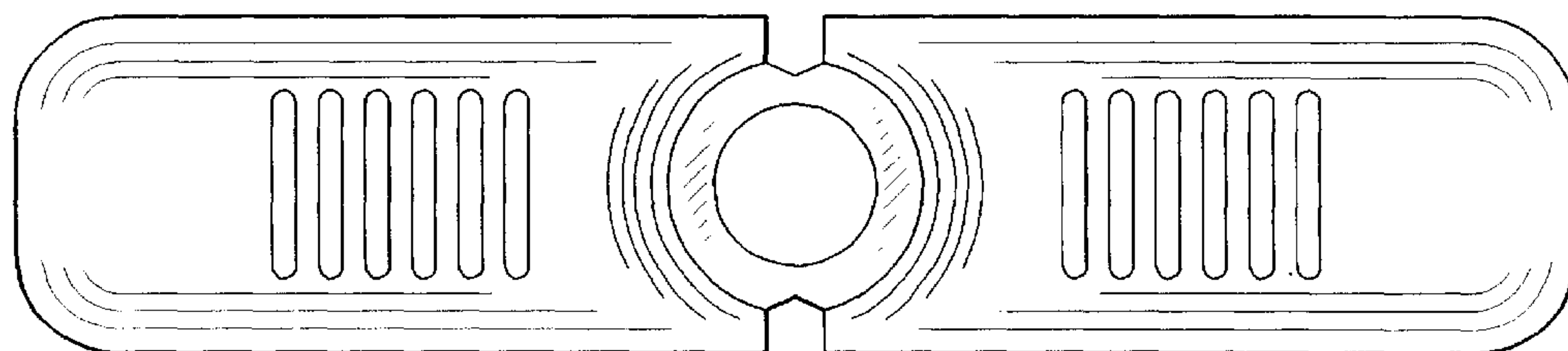


Fig. 2

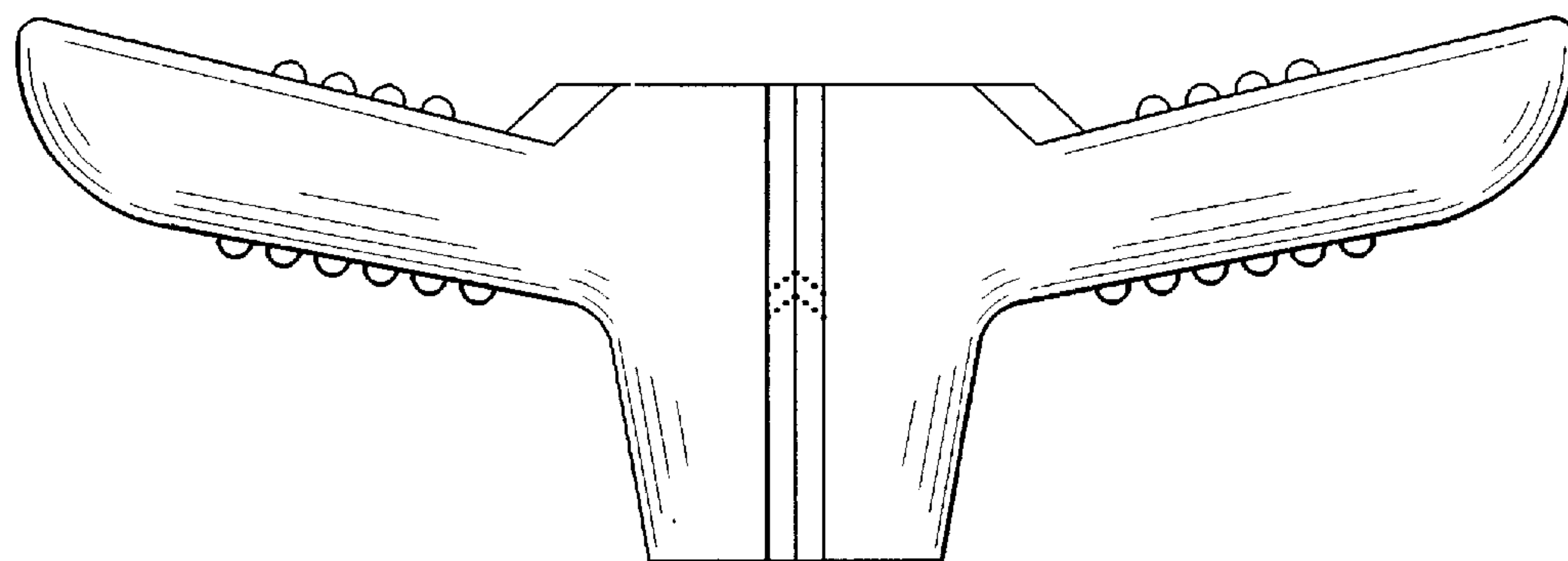


Fig. 3

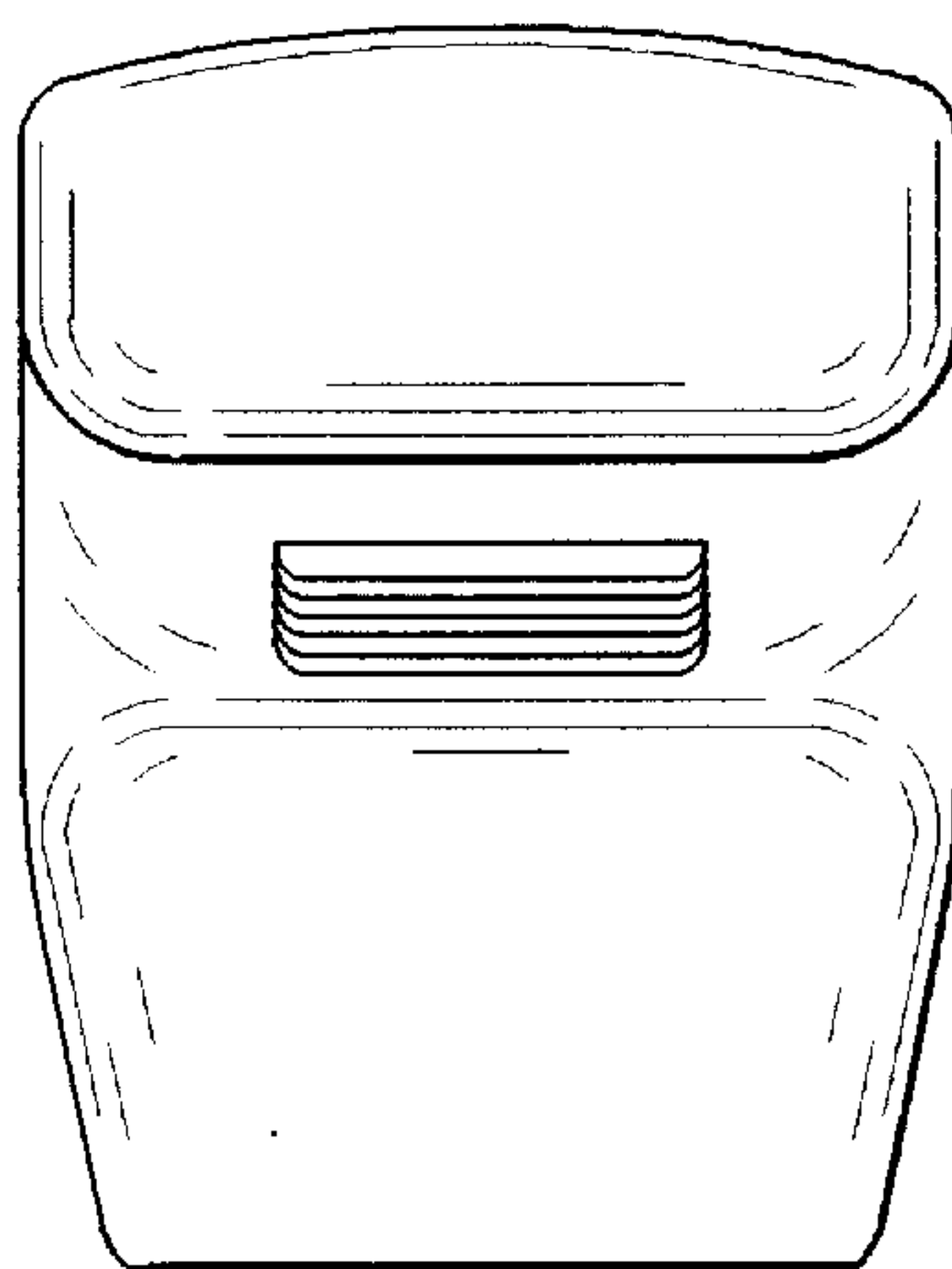


Fig. 4