



US00D532510S

(12) **United States Design Patent** (10) **Patent No.:** **US D532,510 S**
Pickett (45) **Date of Patent:** **** Nov. 21, 2006**

(54) **CEILING FAN HOUSING**

(76) Inventor: **Mark Pickett**, 1419 E. Palm St.,
Altadena, CA (US) 91001

(**) Term: **14 Years**

(21) Appl. No.: **29/245,889**

(22) Filed: **Dec. 30, 2005**

(51) **LOC (8) Cl.** **23-04**

(52) **U.S. Cl.** **D23/411**

(58) **Field of Classification Search** D23/411,
D23/377, 379, 385; 416/5; 392/364
See application file for complete search history.

(56) **References Cited**

U.S. PATENT DOCUMENTS

D484,967 S * 1/2004 Huang D23/411
D512,139 S * 11/2005 Hidalgo D23/377

* cited by examiner

Primary Examiner—Lisa Lichtenstein

(74) *Attorney, Agent, or Firm*—Parson & Goltry; Michael
W. Goltry; Robert A. Parsons

(57) **CLAIM**

The ornamental design for a ceiling fan housing, as shown
and described.

DESCRIPTION

FIG. 1 is a top perspective view of a ceiling fan housing
showing my new design;

FIG. 2 is a bottom perspective view thereof;

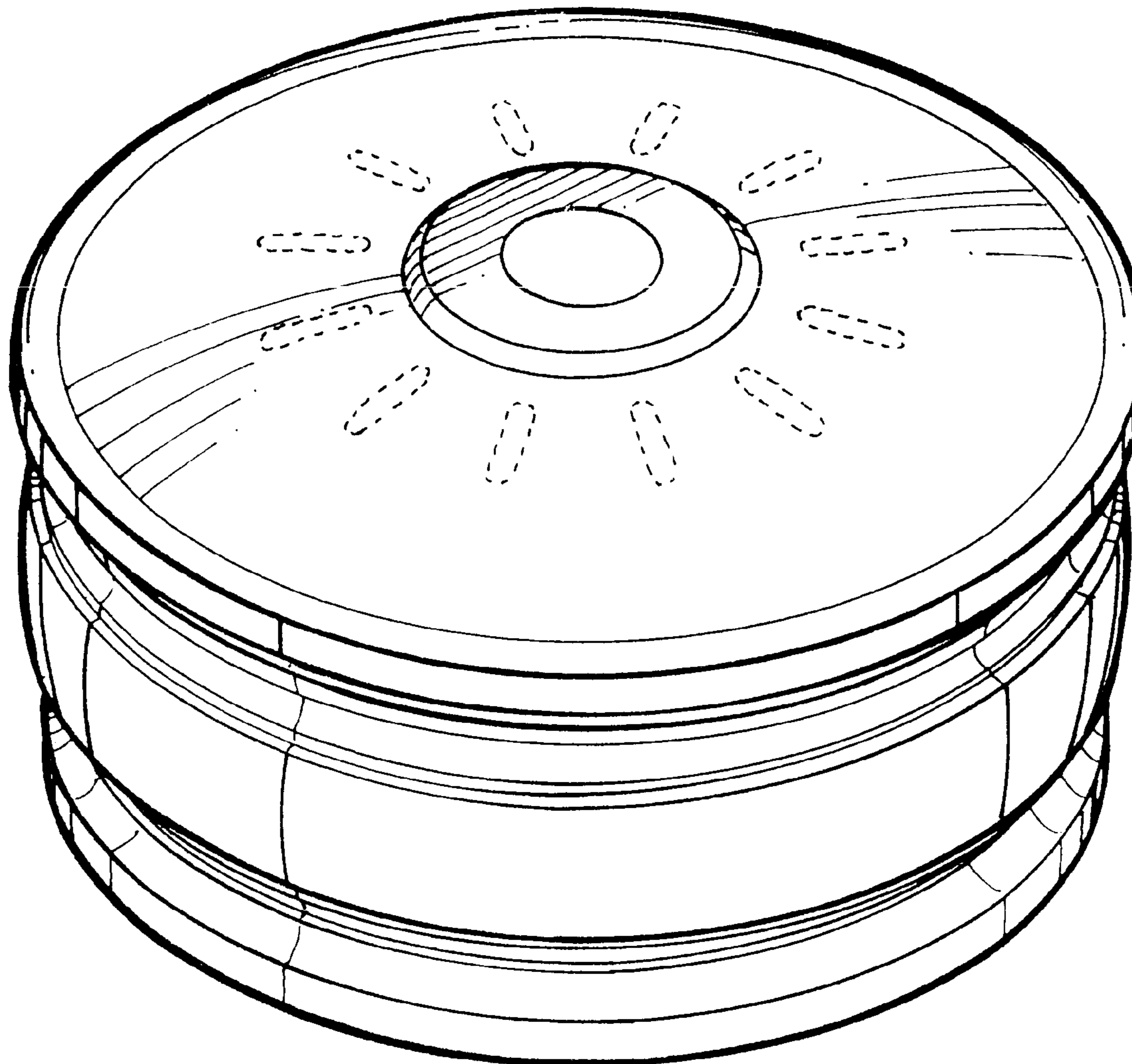
FIG. 3 is a top plan view thereof;

FIG. 4 is a bottom plan view thereof; and,

FIG. 5 is front elevational view thereof, the rear elevational
view thereof, the left side elevational view thereof, and the
right side elevational view thereof being substantially the
same thereof.

The broken lines in the views show environmental features,
which are for illustrative purposes only and form no part of
the claimed design.

1 Claim, 5 Drawing Sheets



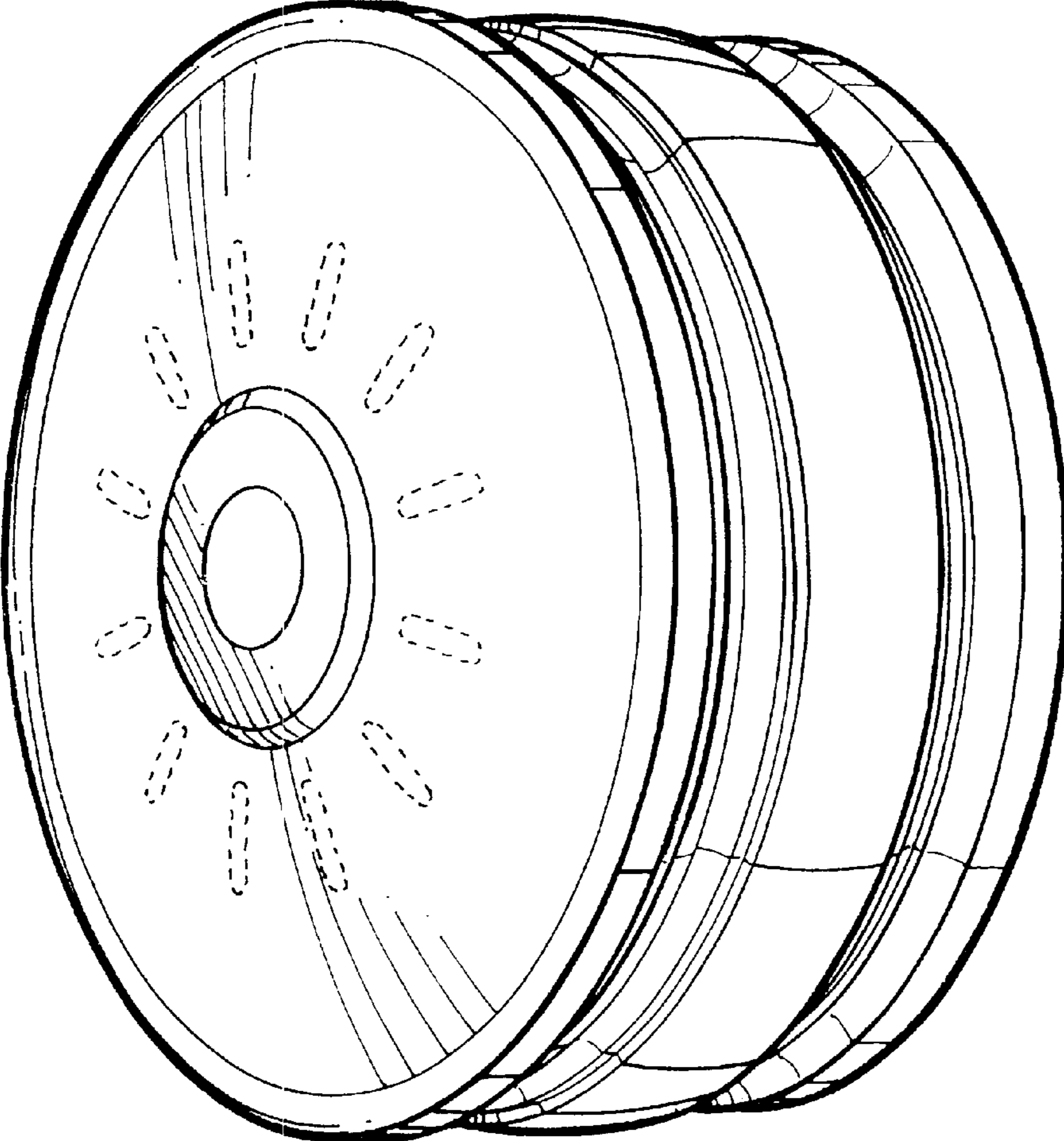


FIGURE 1

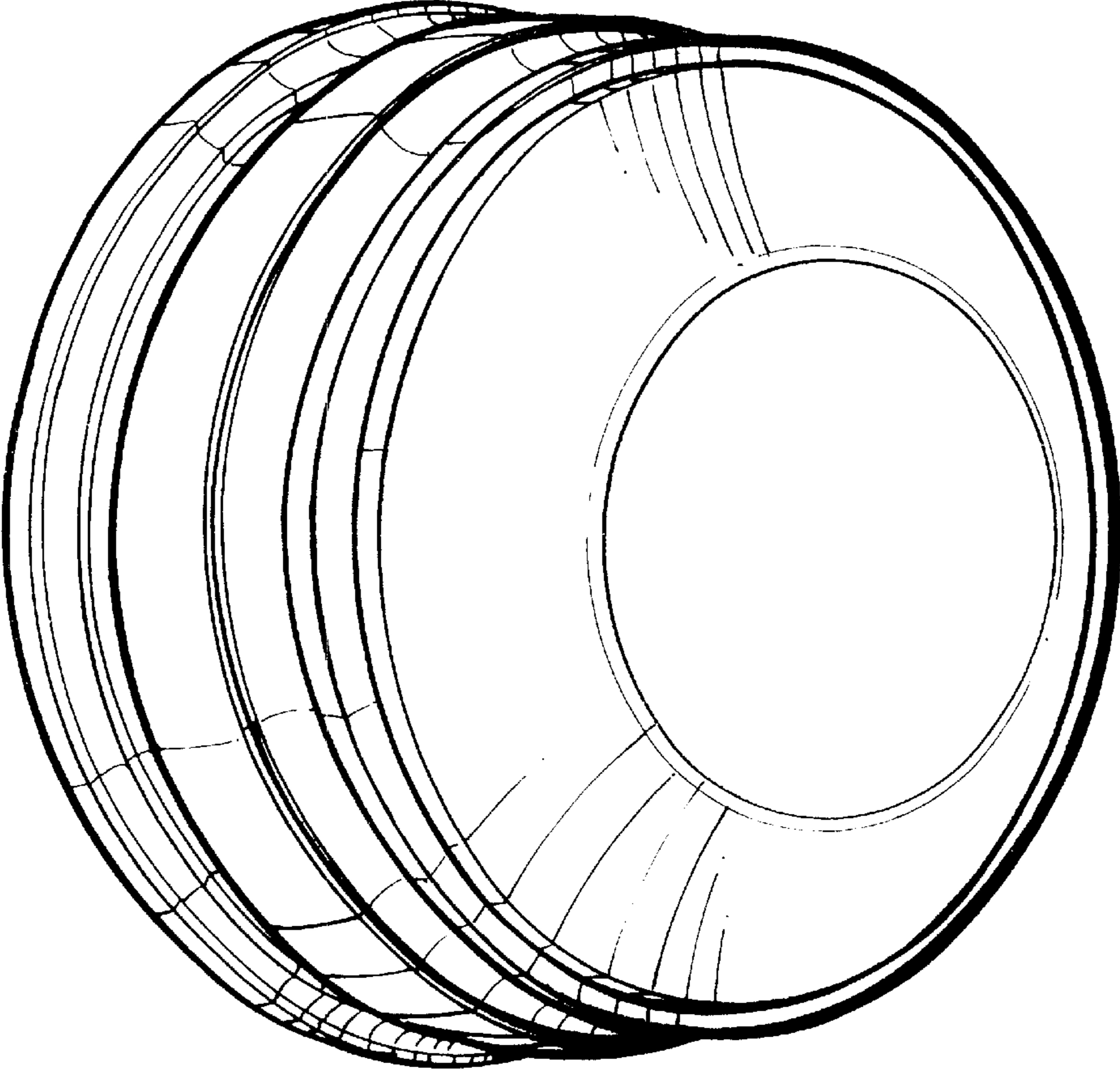


FIGURE 2

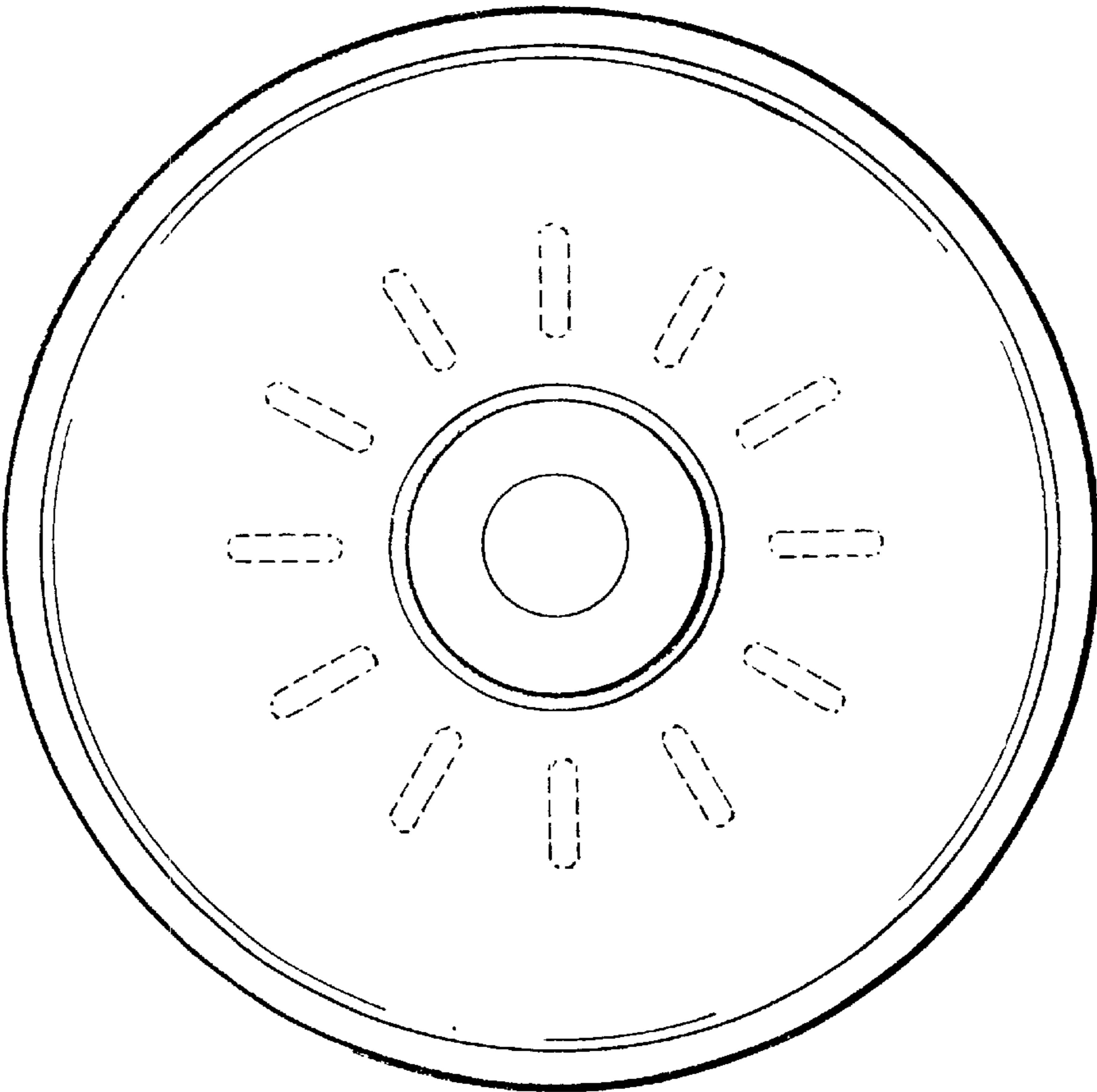


FIGURE 3

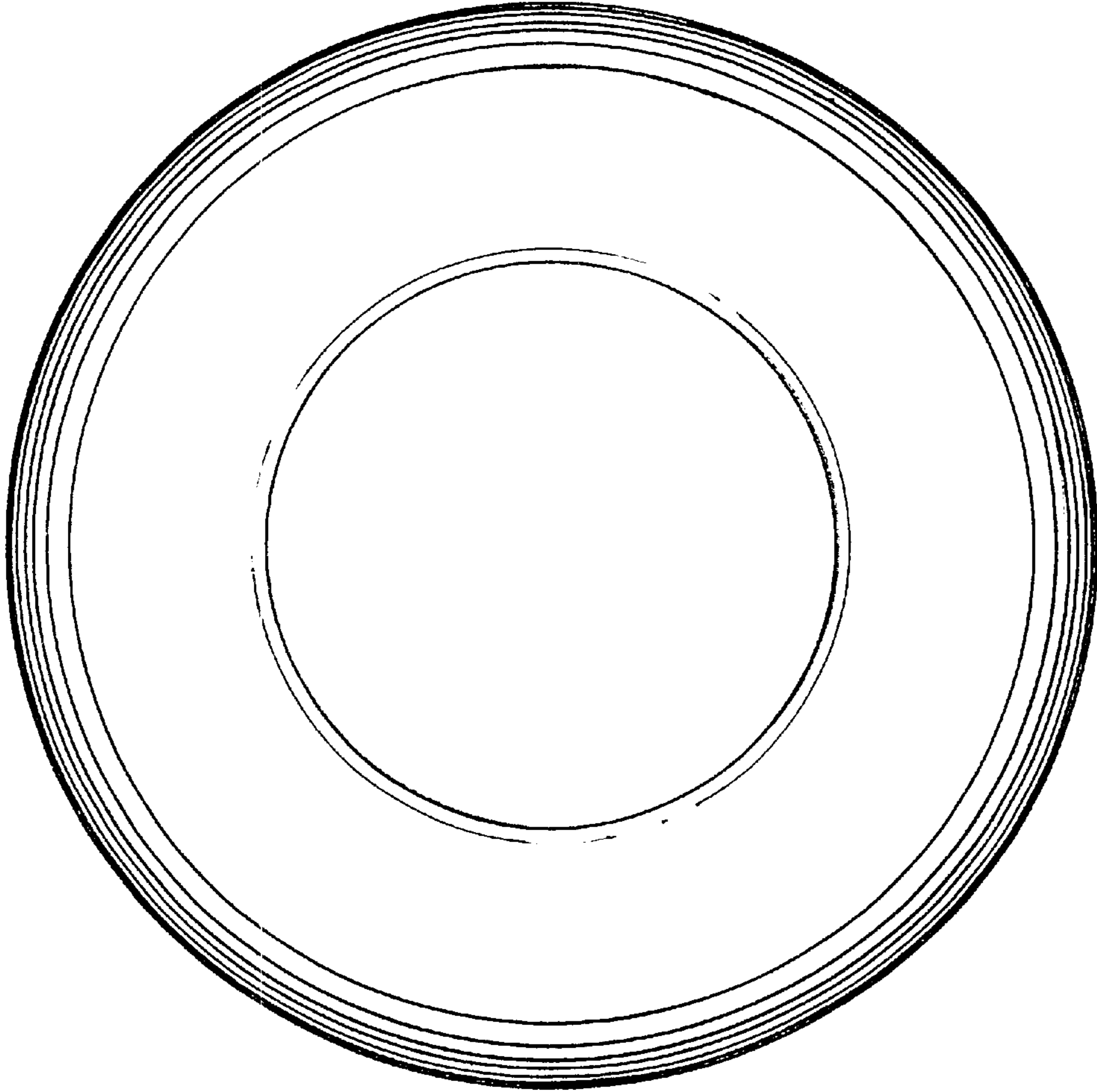


FIGURE 4

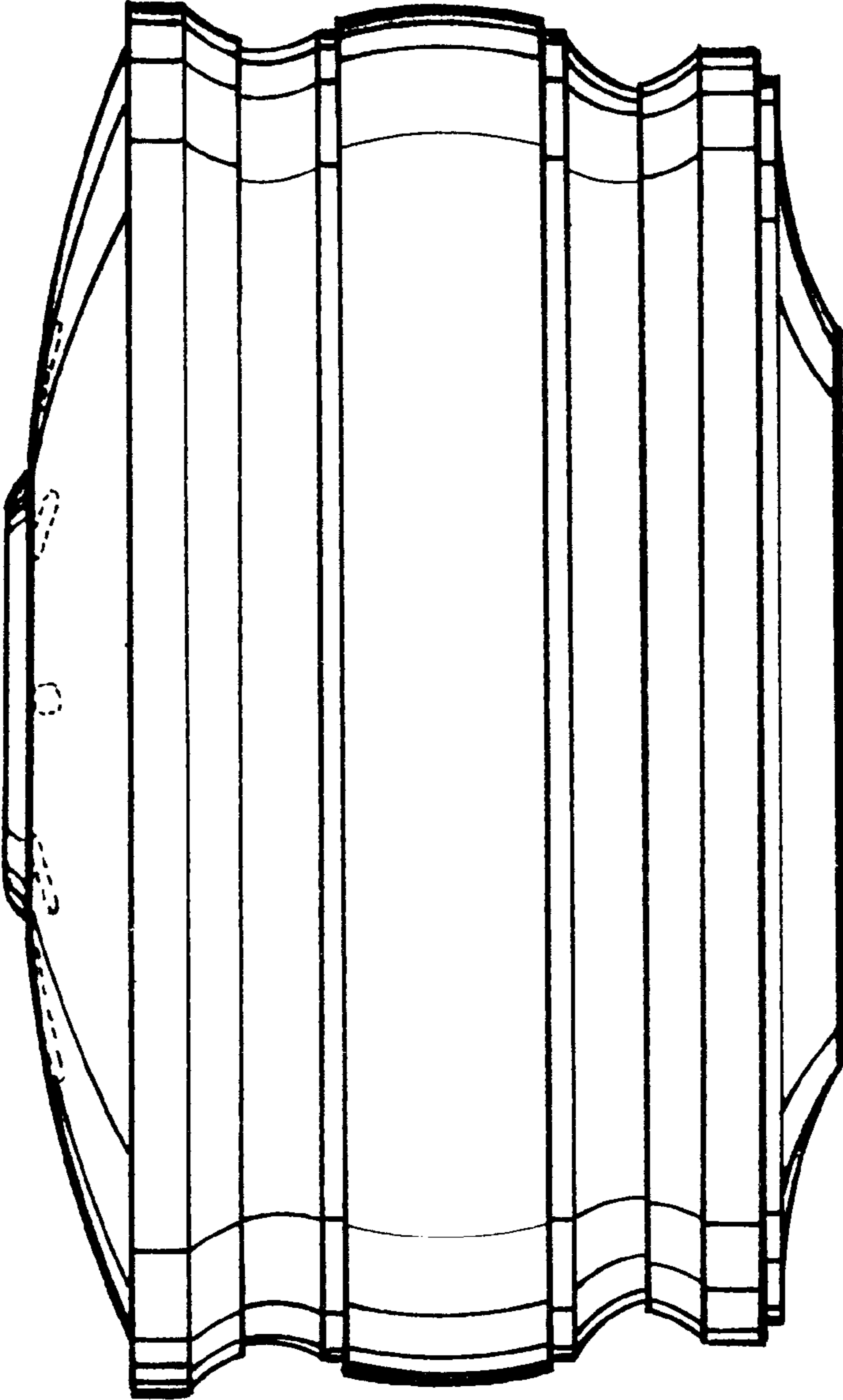


FIGURE 5