



US00D532509S

(12) **United States Design Patent**
Cheng

(10) **Patent No.:** **US D532,509 S**

(45) **Date of Patent:** **** Nov. 21, 2006**

(54) **KITCHEN VENTILATION HOOD**

(57) **CLAIM**

(76) **Inventor:** **Fu-Tung Cheng**, 1190 Neilson St.,
Albany, CA (US) 94706

The ornamental design for a kitchen ventilation hood, as shown and described.

(**) **Term:** **14 Years**

DESCRIPTION

(21) **Appl. No.:** **29/227,125**

This application is being filed together with two other kitchen ventilation hood design applications by the same inventor on this same date. The other applications are 29/227,123 and 29/227,124.

(22) **Filed:** **Apr. 6, 2005**

(51) **LOC (8) Cl.** **23-04**

FIG. 1 is an upper front right perspective view;

(52) **U.S. Cl.** **D23/372**

FIG. 2 is a front elevational view;

(58) **Field of Classification Search** D23/372,
D23/371; 126/299 R, 299 D

FIG. 3 is a left side elevational view; the right side is a mirror image thereof;

See application file for complete search history.

FIG. 4 is a rear elevational view;

FIG. 5 is a top plan view; and,

FIG. 6 is a bottom plan view.

(56) **References Cited**

The design consists of a delicate arc creating a distinctive configuration.

U.S. PATENT DOCUMENTS

D420,119 S * 2/2000 Neff et al. D23/372

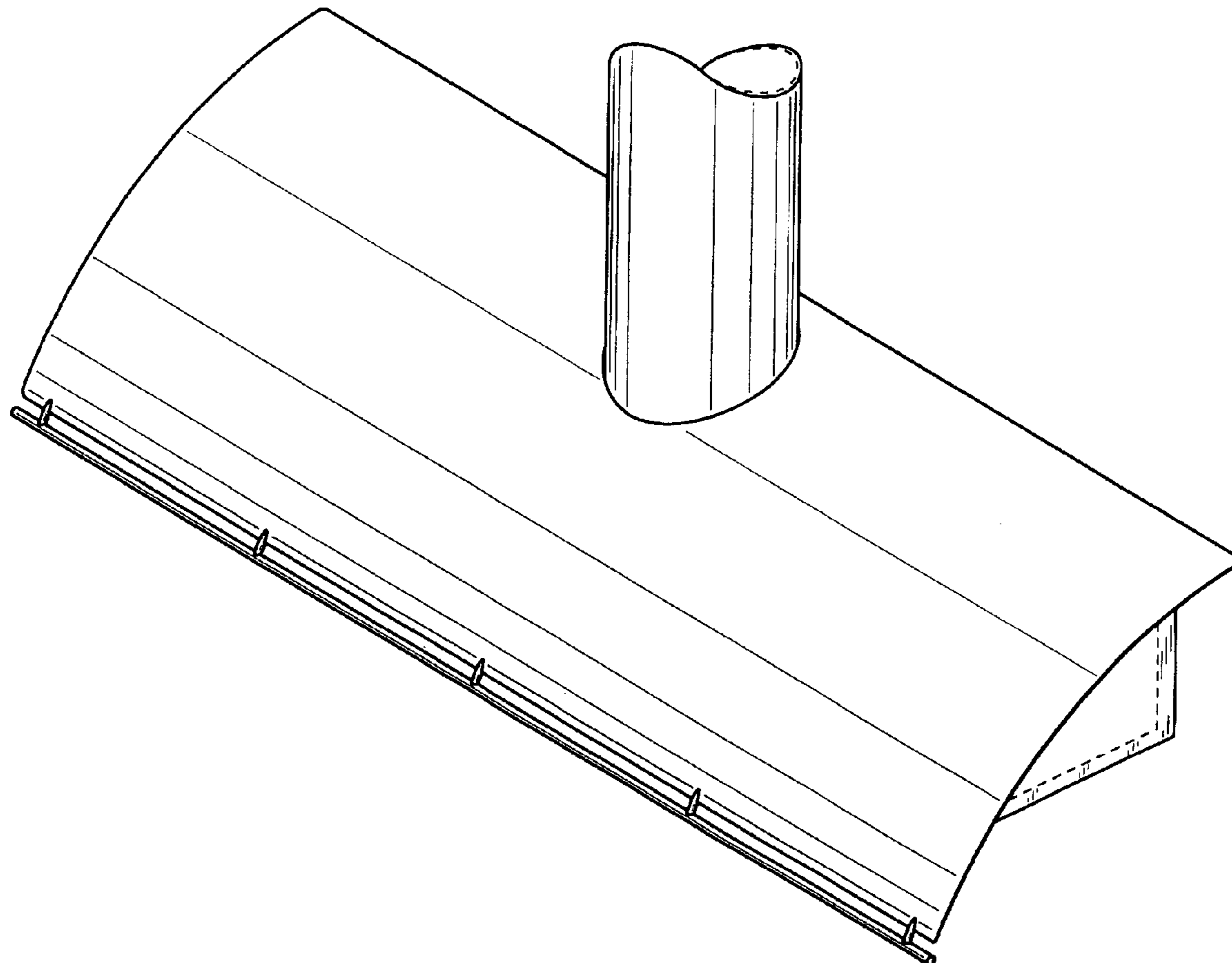
The broken line showing of environmental structure is for illustrative purposes only and forms no part of the claimed design.

D444,221 S * 6/2001 Strand et al. D23/372

* cited by examiner

Primary Examiner—Lisa Lichtenstein

1 Claim, 6 Drawing Sheets



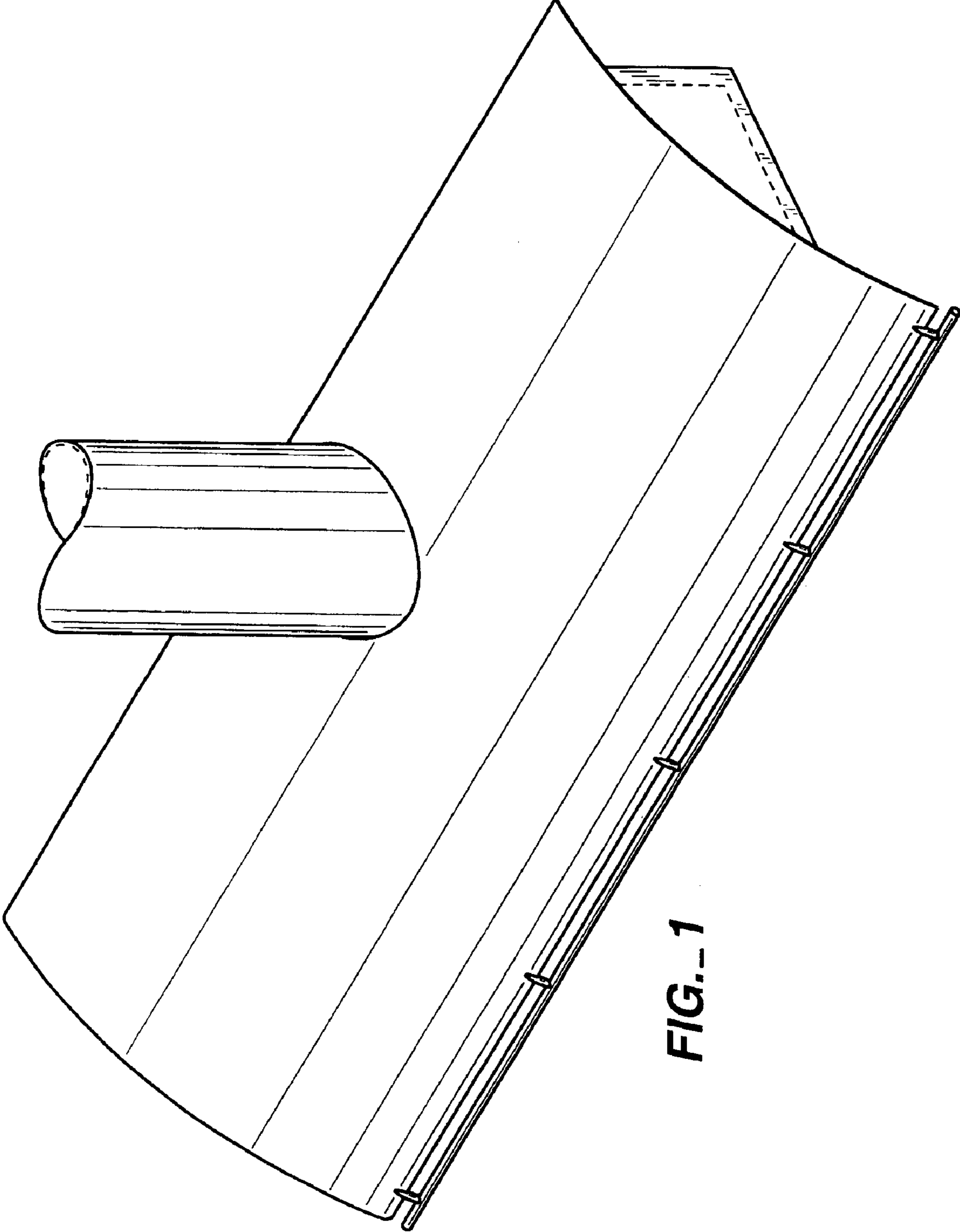


FIG. 1

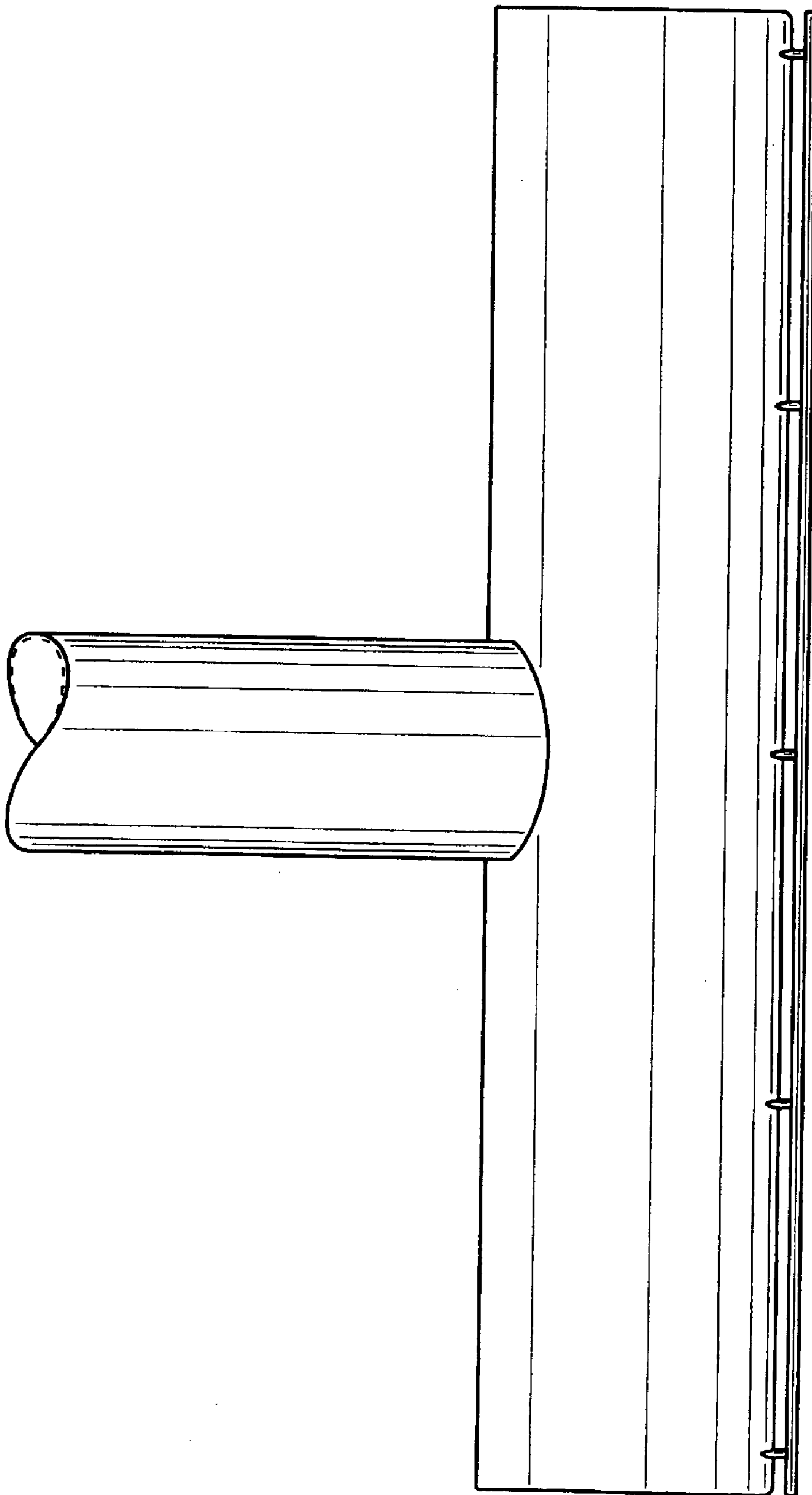


FIG. 2

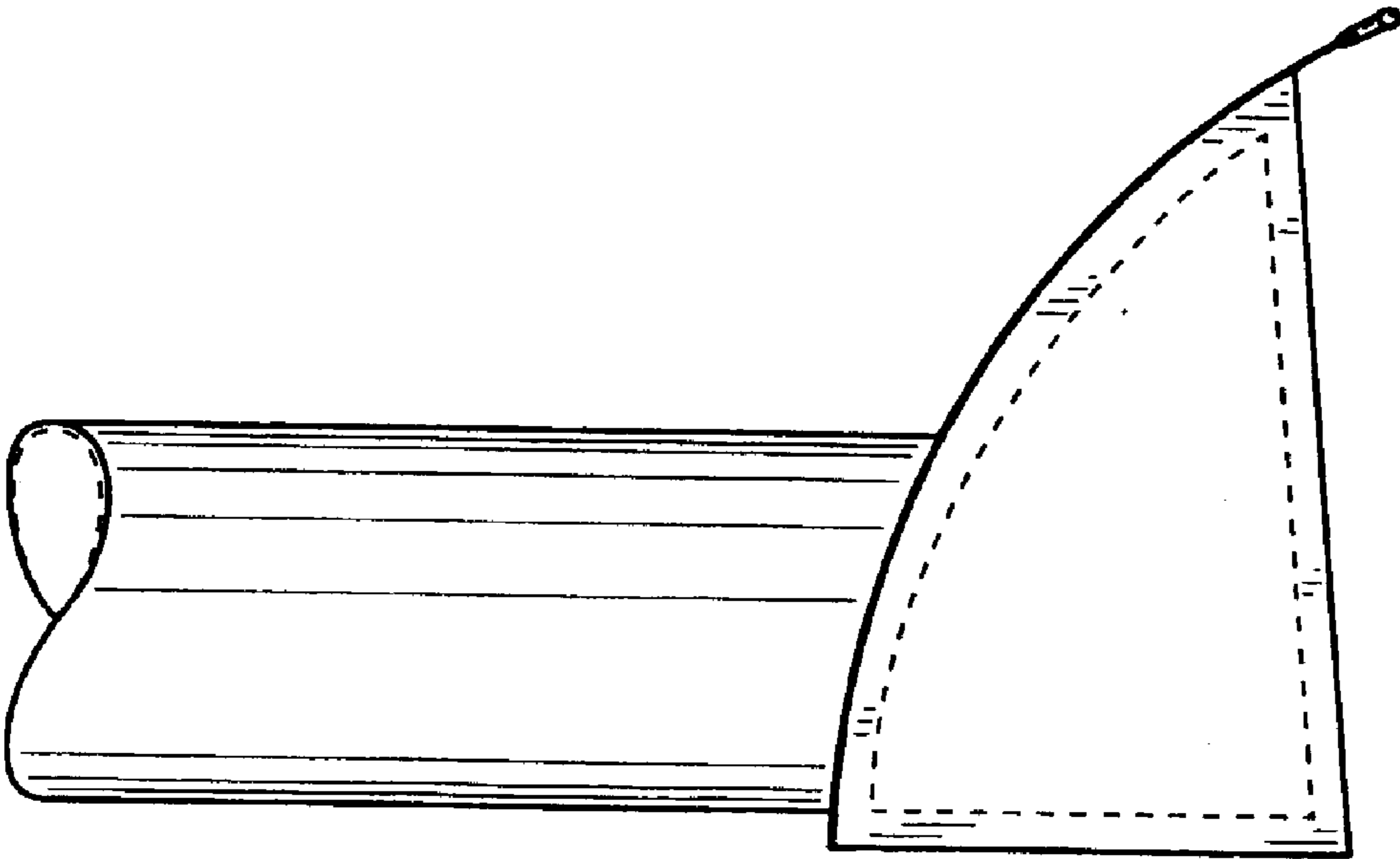


FIG. 3

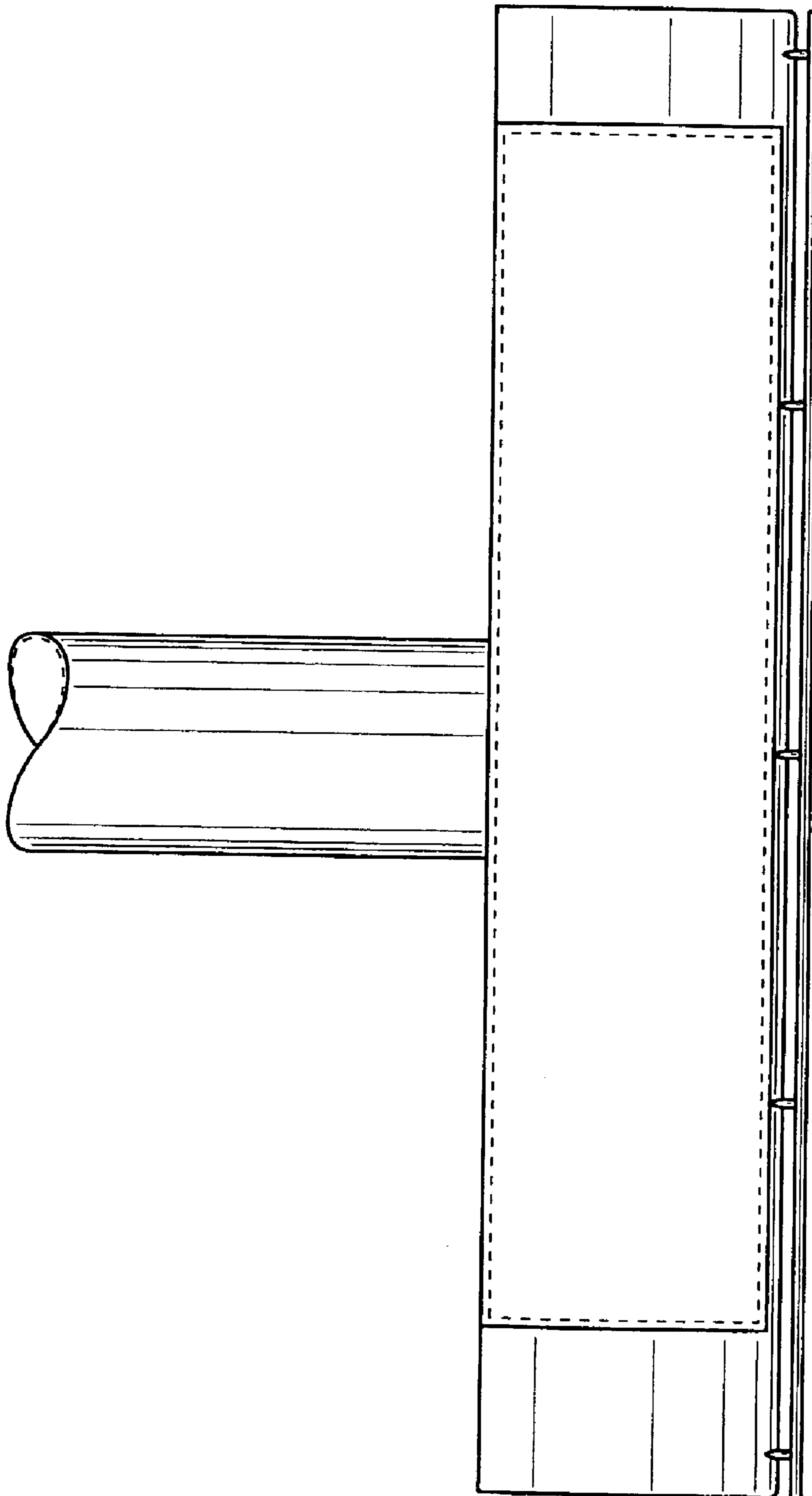


FIG. 4

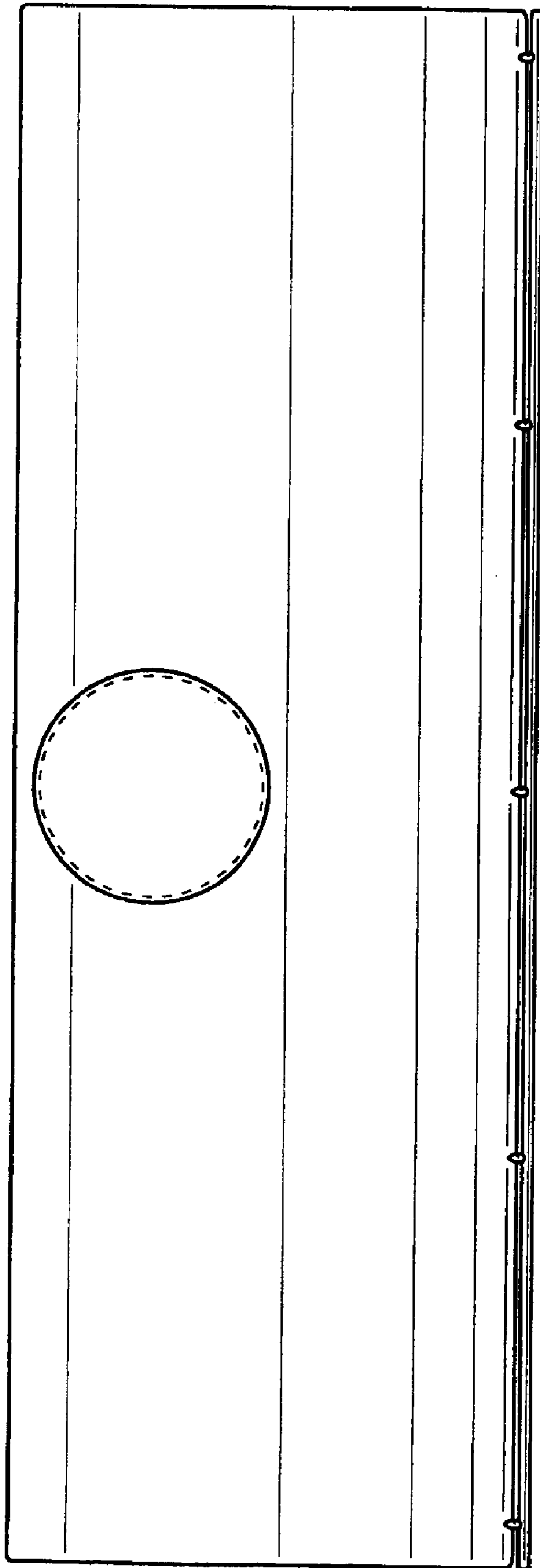


FIG. 5

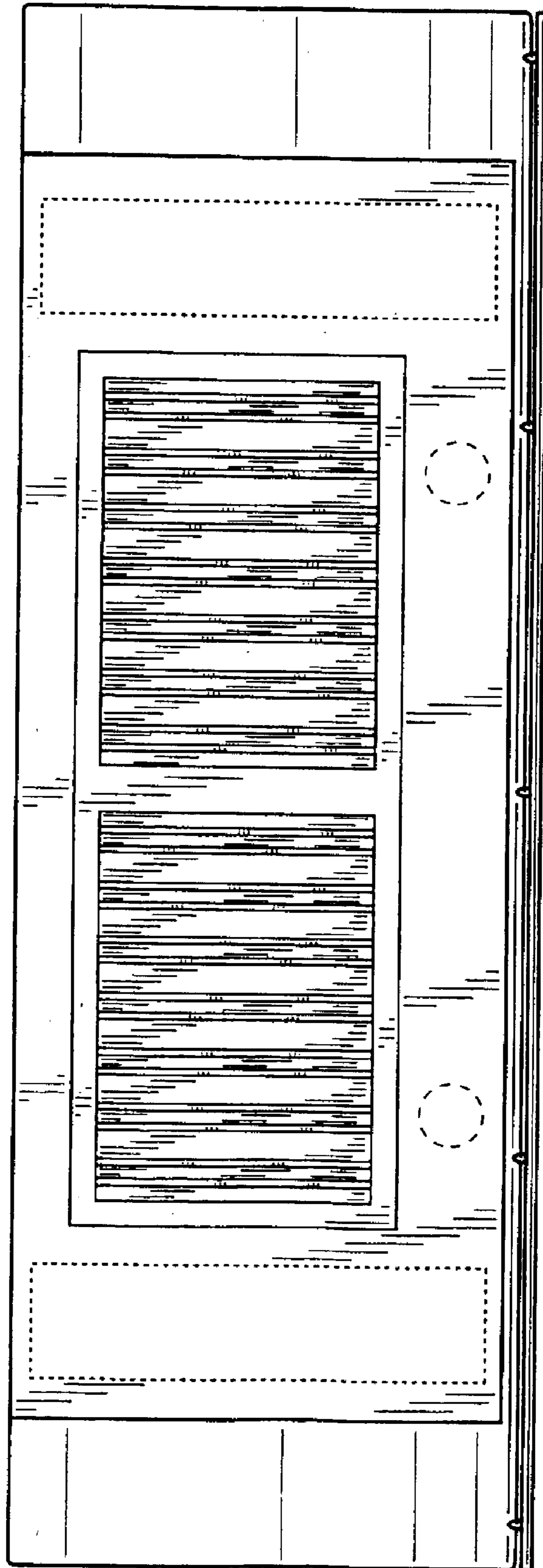


FIG. 6