

US00D532508S

(12) **United States Design Patent**
Cheng

(10) **Patent No.: US D532,508 S**

(45) **Date of Patent: ** Nov. 21, 2006**

(54) **KITCHEN VENTILATION HOOD**

(76) Inventor: **Fu-Tung Cheng**, 1190 Neilson St.,
Albany, CA (US) 94706

(**) Term: **14 Years**

(21) Appl. No.: **29/227,123**

(22) Filed: **Apr. 6, 2005**

(51) **LOC (8) Cl. 23-04**

(52) **U.S. Cl. D23/372**

(58) **Field of Classification Search** D23/372,
D23/371; 126/299 R, 299 D
See application file for complete search history.

(56) **References Cited**

U.S. PATENT DOCUMENTS

D380,823 S * 7/1997 LaZar D23/372
D450,379 S * 11/2001 Strand et al. D23/372

* cited by examiner

Primary Examiner—Lisa Lichtenstein

(57) **CLAIM**

The ornamental design for a kitchen ventilation hood, as shown and described.

DESCRIPTION

This application is being filed together with two other kitchen ventilation hood design applications by the same inventor on this same date. The other applications are 29/127,124 and 29/127,125.

The Shade kitchen ventilation hood is based upon the simple design of a matchbook. When the retractable and distinctive canopy is closed its lines are clean and unobtrusive.

FIG. 1 is an upper right front perspective view in closed position;

FIG. 2 is an enlarged front elevational view in closed position;

FIG. 3 is an enlarged left side elevational view; the right side is a mirror image thereof;

FIG. 4 is an enlarged rear elevational view in closed position;

FIG. 5 is an enlarged top plan view in closed position;

FIG. 6 is an enlarged bottom plan view in closed position;

FIG. 7 is an upper front right perspective view in opened condition;

FIG. 8 is an enlarged front elevational view in opened condition;

FIG. 9 is an enlarged left side elevational view; the right side is a mirror image thereof;

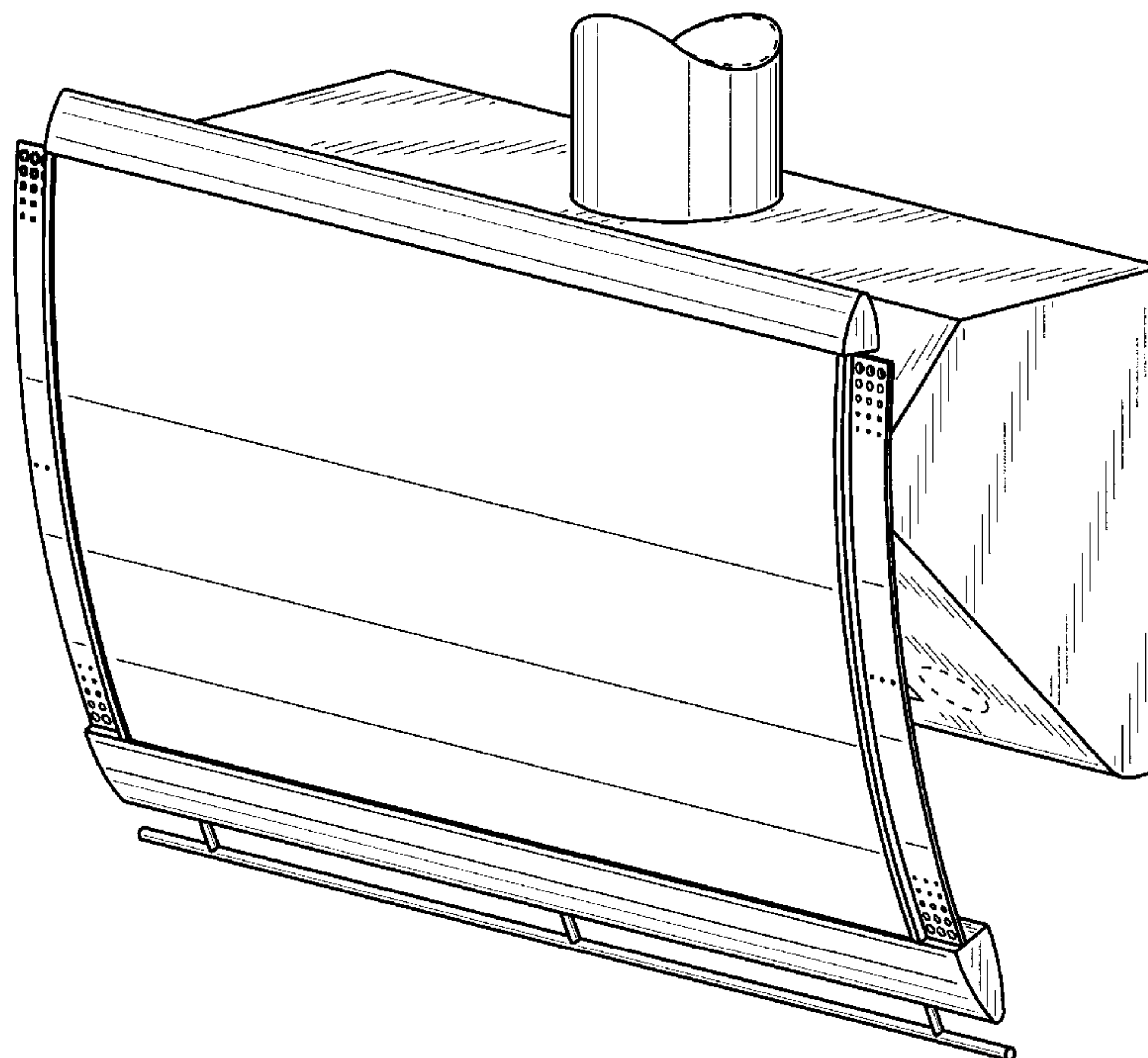
FIG. 10 is an enlarged rear elevational view in opened condition;

FIG. 11 is an enlarged top plan view in opened condition; and,

FIG. 12 is a bottom plan view in opened condition.

The broken line showing of environmental structure is for illustrative purposes only and forms no part of the claimed design.

1 Claim, 12 Drawing Sheets



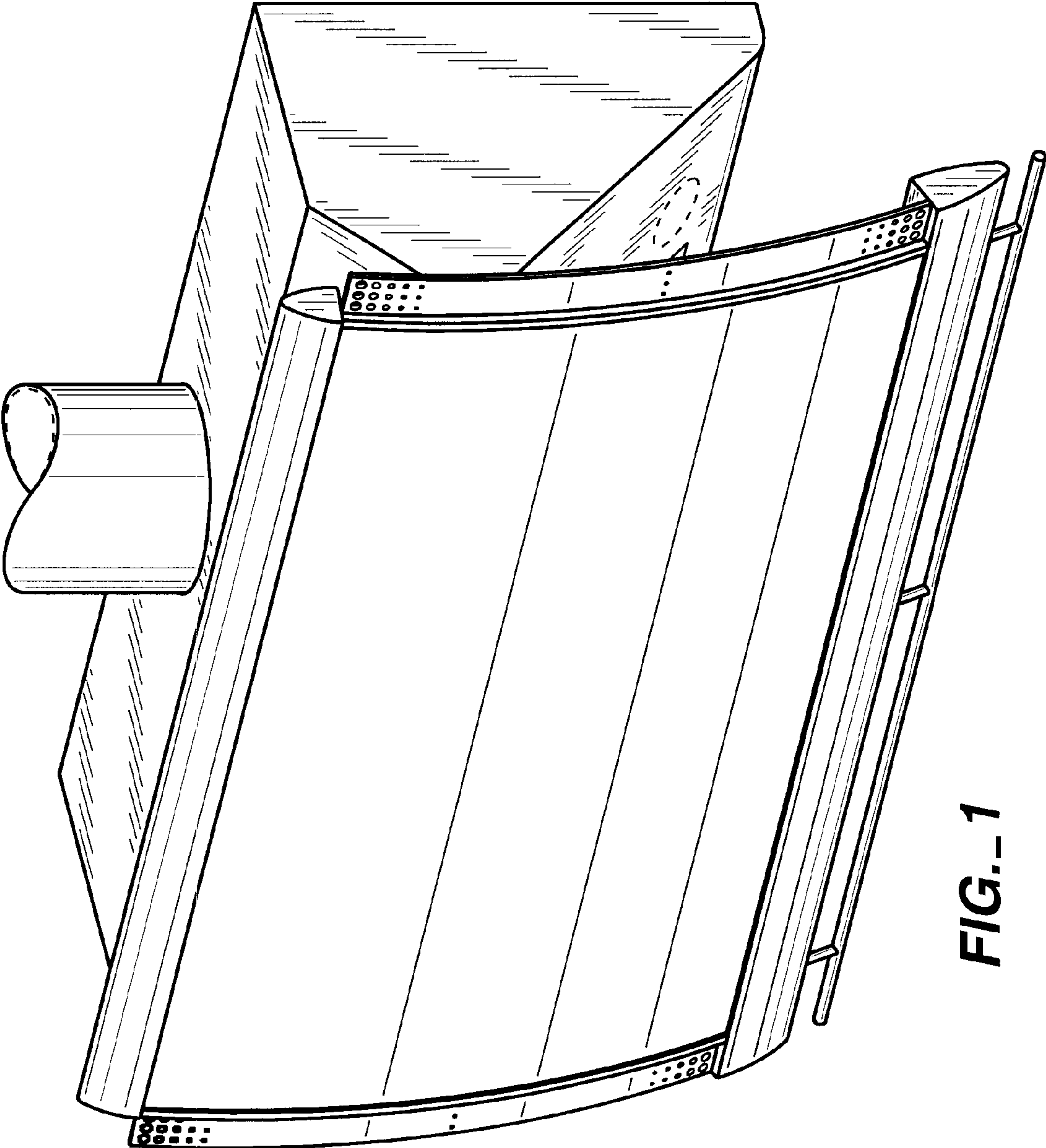
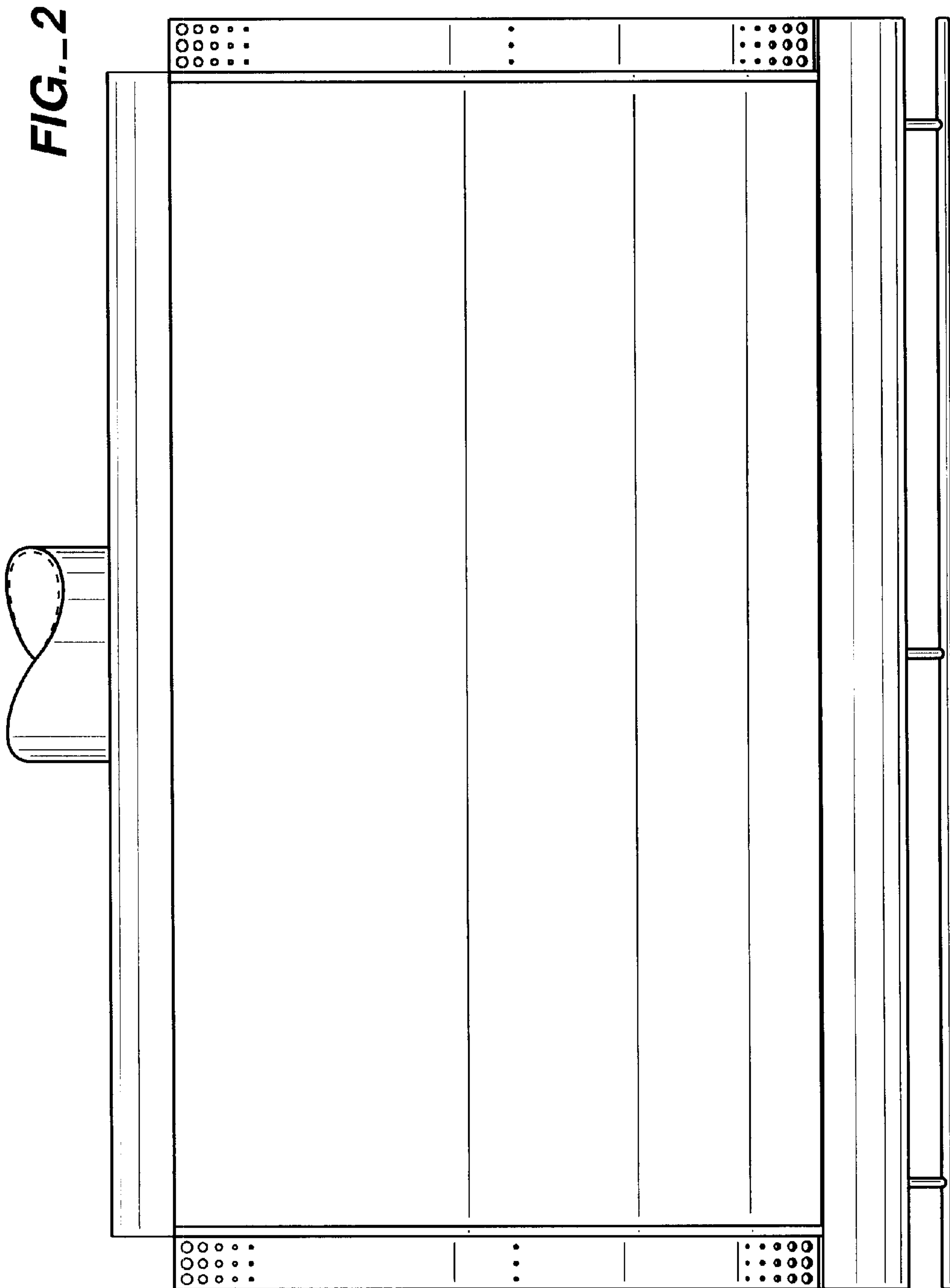


FIG.- 1



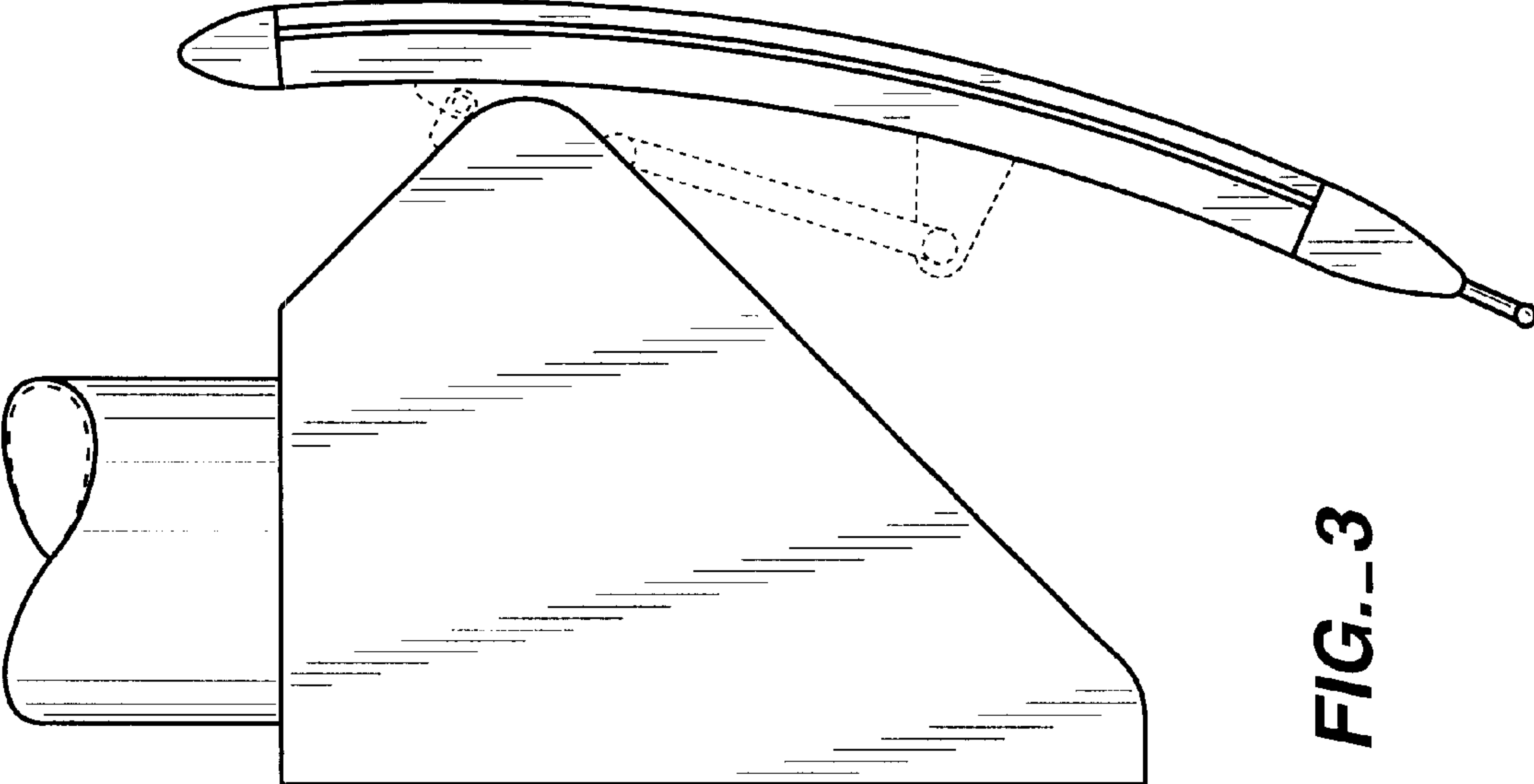
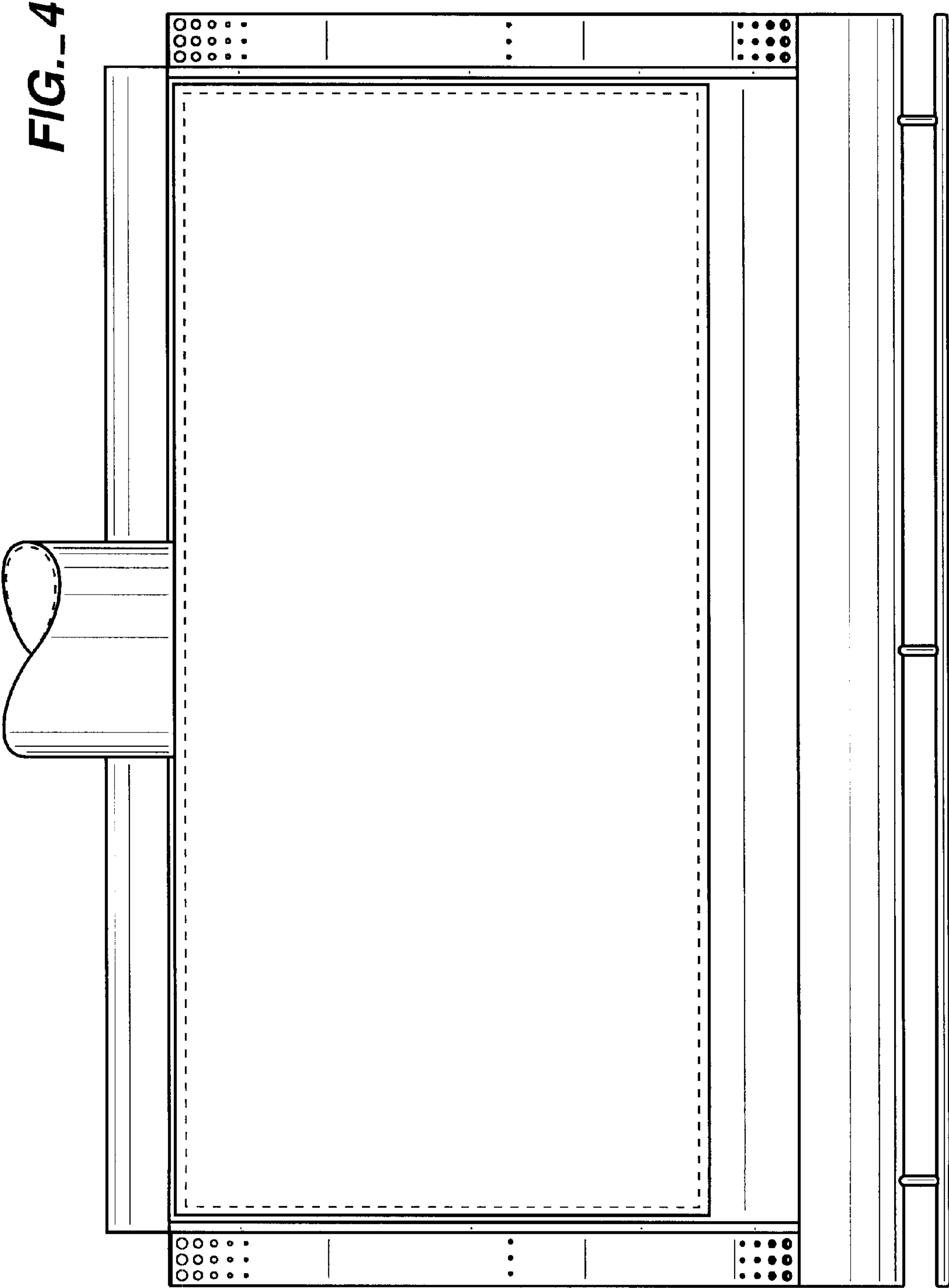


FIG.-3



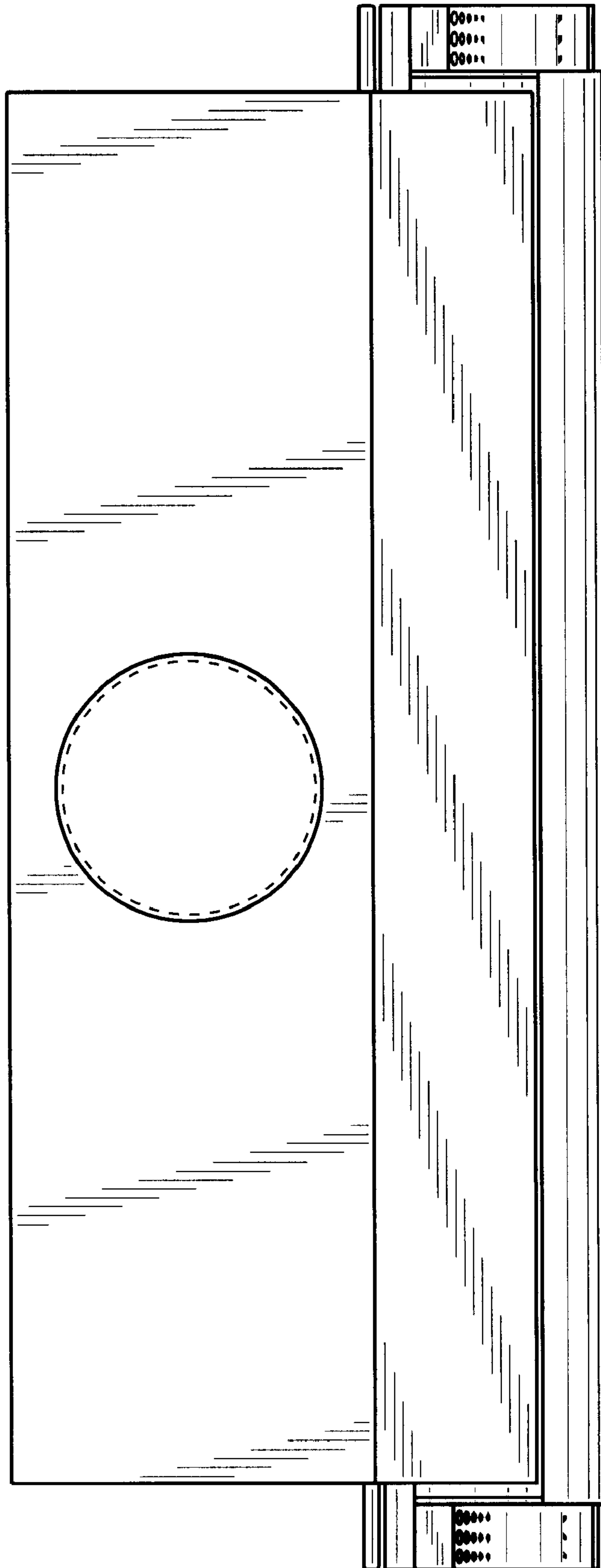


FIG. 5

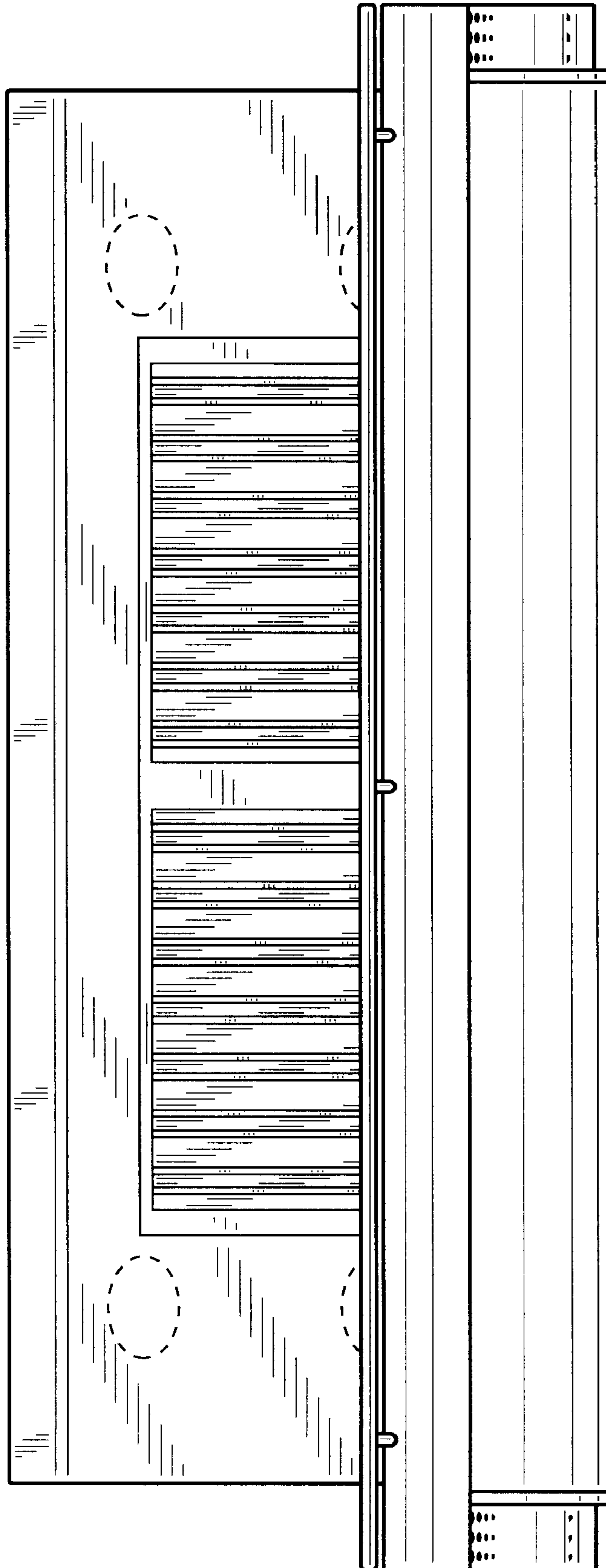


FIG. 6

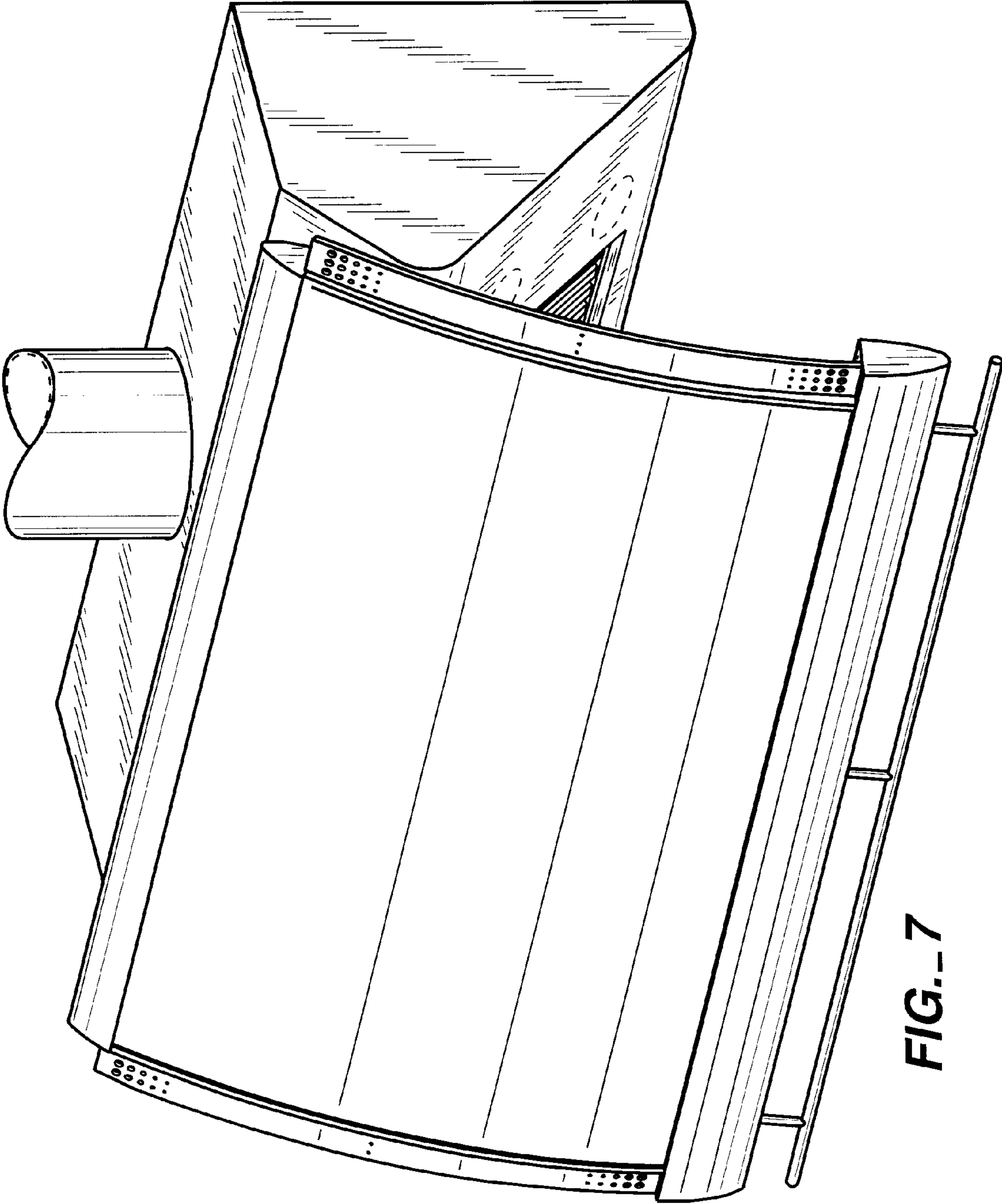
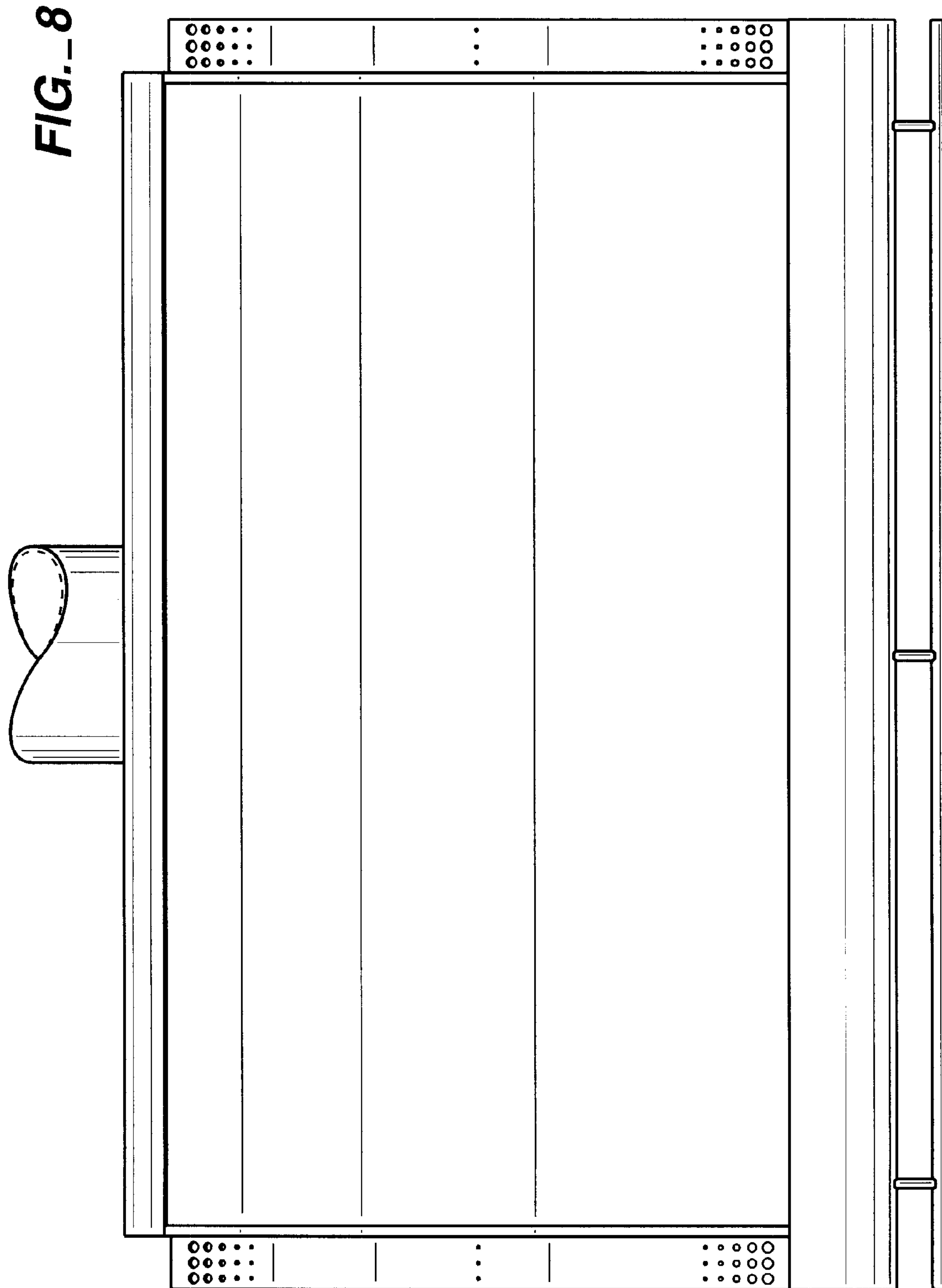


FIG. 7



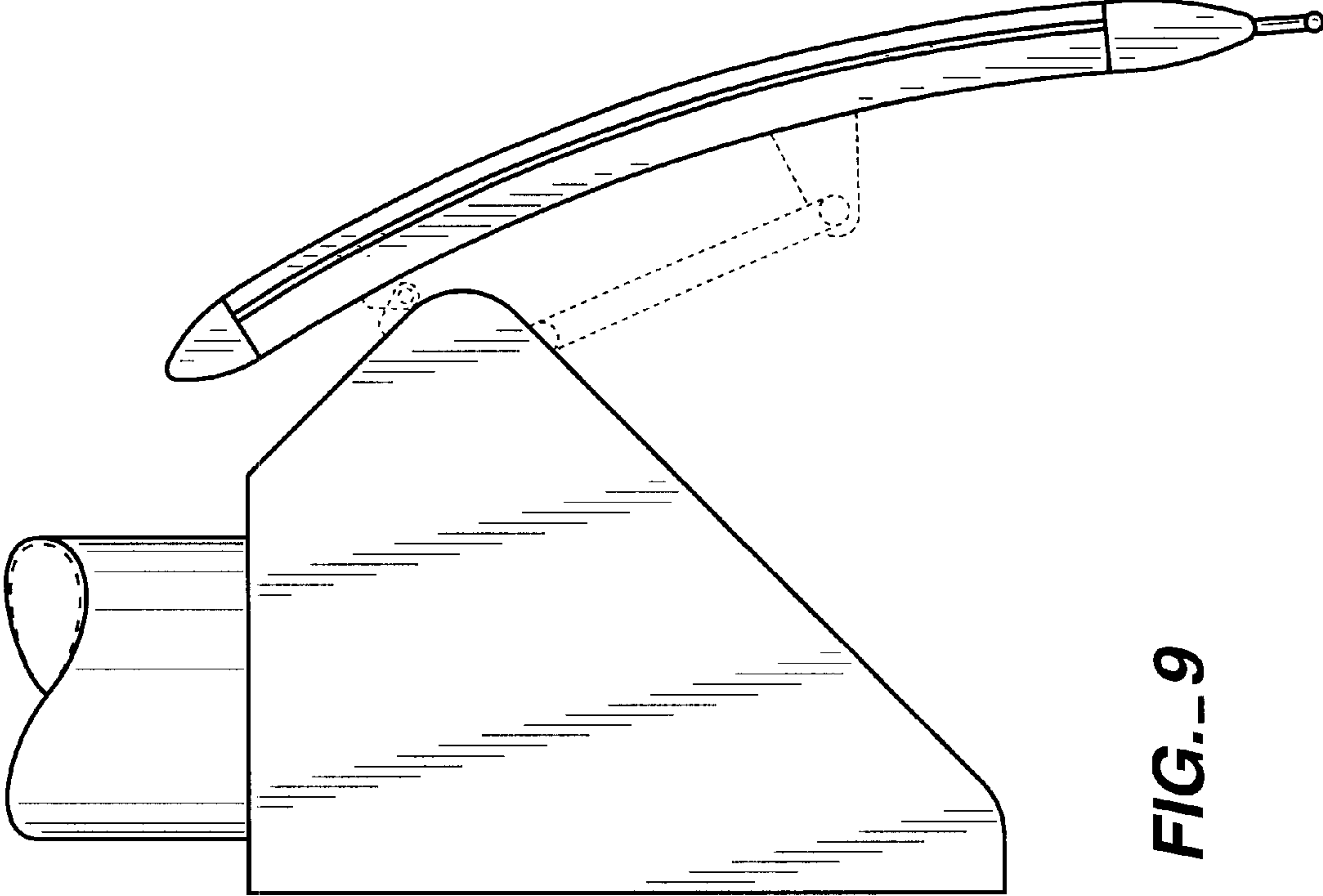
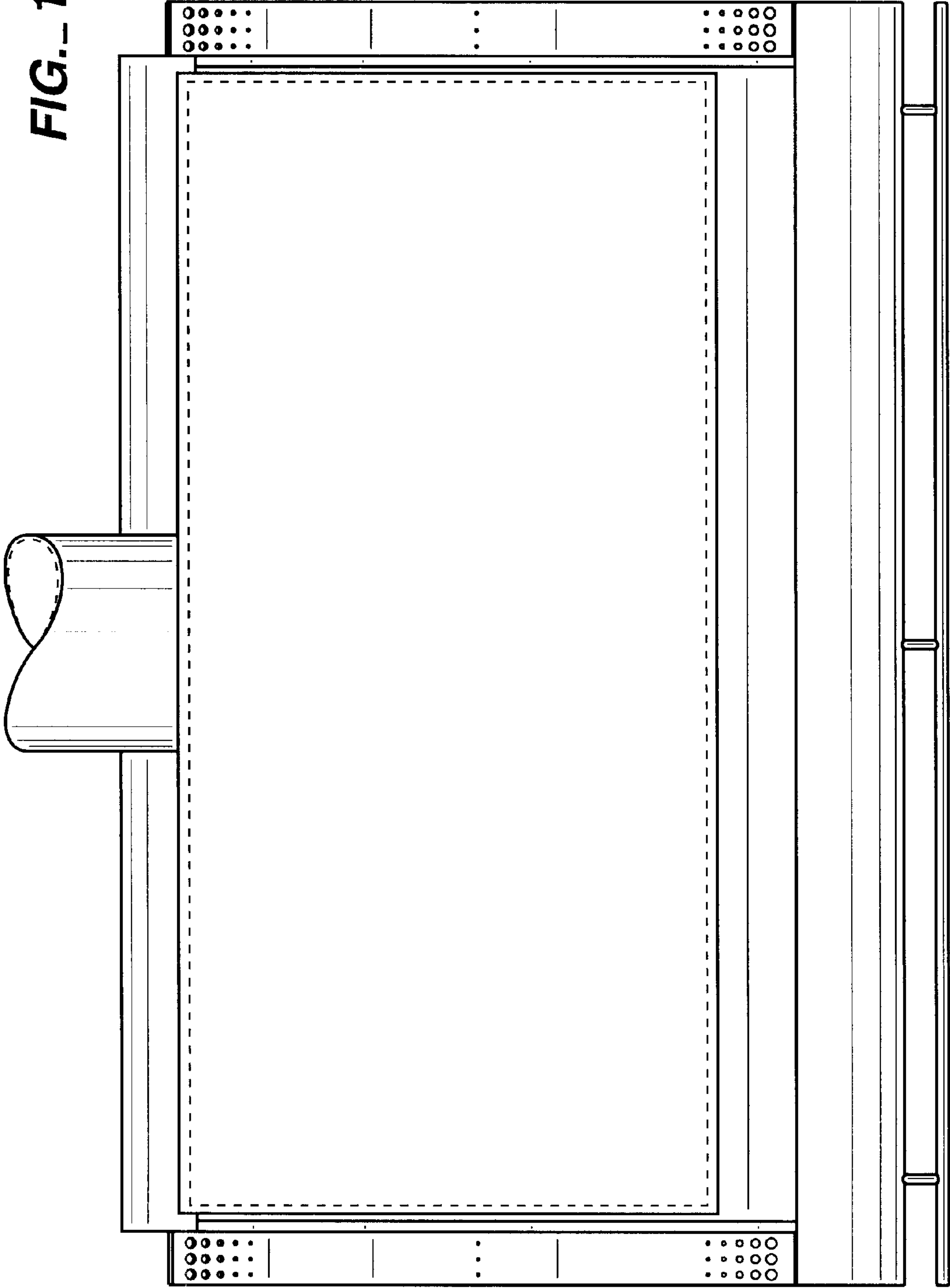


FIG. 9

FIG. 10



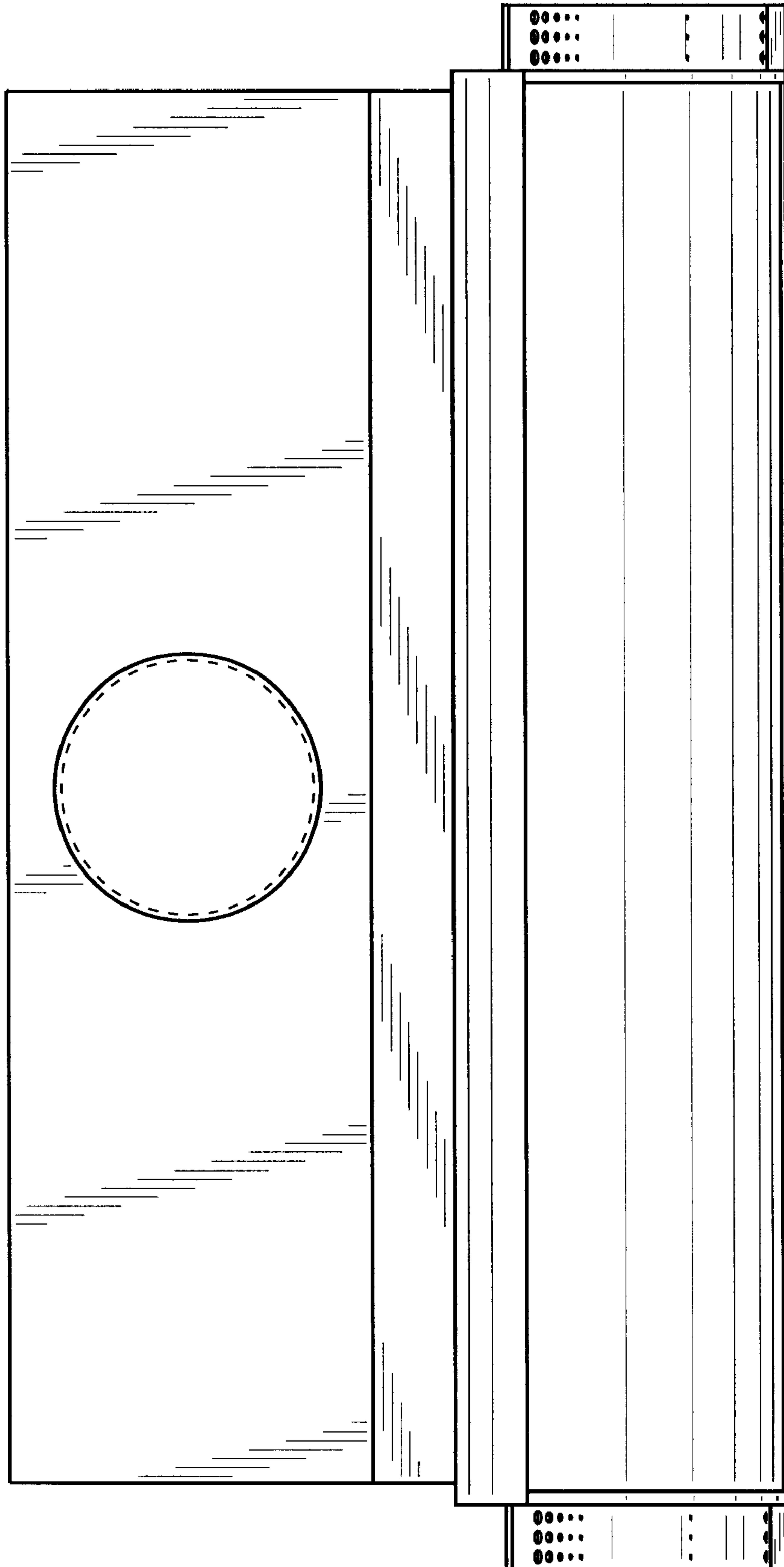


FIG. 11

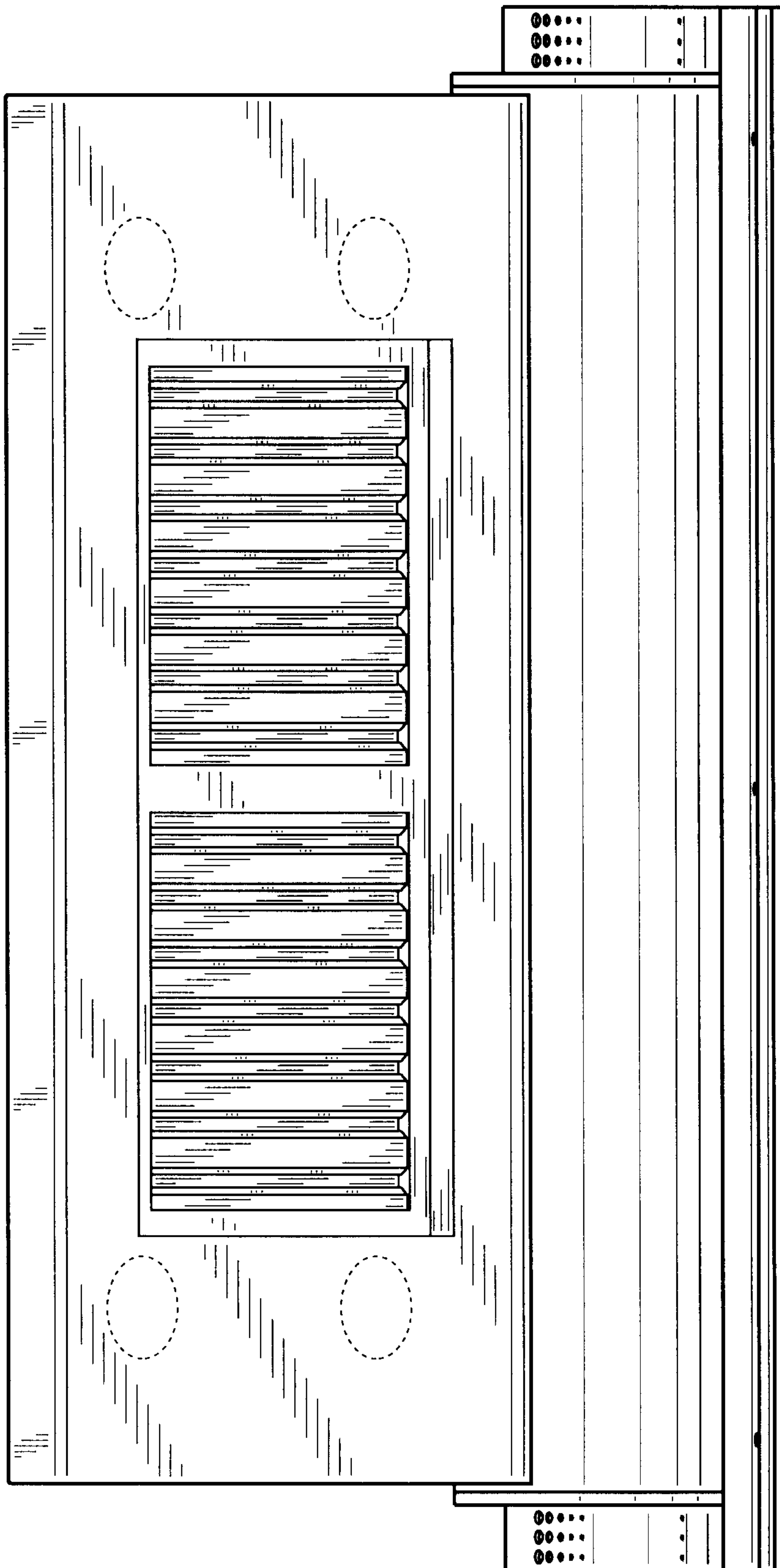


FIG.- 12