

US00D532506S

(12) **United States Design Patent**
Caserta et al.

(10) **Patent No.:** **US D532,506 S**

(45) **Date of Patent:** **** Nov. 21, 2006**

(54) **AIR FRESHENER**

(75) Inventors: **Andrea Caserta**, Barcelona (ES);
Ruben Garcia Fábrega, Barcelona
(ES); **Jose Antonio Luque Salcedo**,
Barcelona (ES); **David Moreno Pérez**,
Barcelona (ES)

(73) Assignee: **Zobebe Espana, S.A.**, Barcelona (ES)

(**) Term: **14 Years**

(21) Appl. No.: **29/245,523**

(22) Filed: **Dec. 22, 2005**

(51) **LOC (8) Cl.** **23-03**

(52) **U.S. Cl.** **D23/366**

(58) **Field of Classification Search** 392/386,
392/390–394, 398, 401, 403, 405–406; 239/135–136,
239/34, 35, 56–58, 37, 41, 42, 60; 261/DIG. 17,
261/DIG. 65, DIG. 88, DIG. 89; D23/355–369
See application file for complete search history.

(56) **References Cited**

U.S. PATENT DOCUMENTS

D161,351 S	*	12/1950	Levine	D23/368
D243,017 S	*	1/1977	Fossella	D23/369
D250,042 S	*	10/1978	Pardo et al.	D23/369
D346,856 S	*	5/1994	Kany	D23/368
D367,526 S	*	2/1996	Bignon	D23/366
D372,526 S	*	8/1996	Rymer	D23/366
D376,420 S	*	12/1996	Rymer	D23/368
D438,607 S	*	3/2001	Edwards et al.	D23/366

D447,551 S	*	9/2001	A'Court	D23/366
D500,550 S	*	1/2005	Bariou et al.	D23/368
D516,193 S	*	2/2006	Caserta et al.	D23/366
D518,161 S	*	3/2006	Davis et al.	D23/366
D518,162 S	*	3/2006	Miro	D23/366
D518,883 S	*	4/2006	Jaworski et al.	D23/366

* cited by examiner

Primary Examiner—Sandra S. Snapp

(74) *Attorney, Agent, or Firm*—Knobbe Martens Olson &
Bear LLP

(57) **CLAIM**

The ornamental design for an air freshener, as shown and
described.

DESCRIPTION

FIG. 1 is a back perspective view of the air freshener
showing an attachment for securing the air freshener in a
closed position;

FIG. 2 is a front perspective view thereof;

FIG. 3 is a back elevational view thereof;

FIG. 4 is a top plan view thereof;

FIG. 5 is a side elevational view thereof;

FIG. 6 is a bottom plan view thereof;

FIG. 7 is a front elevational view thereof;

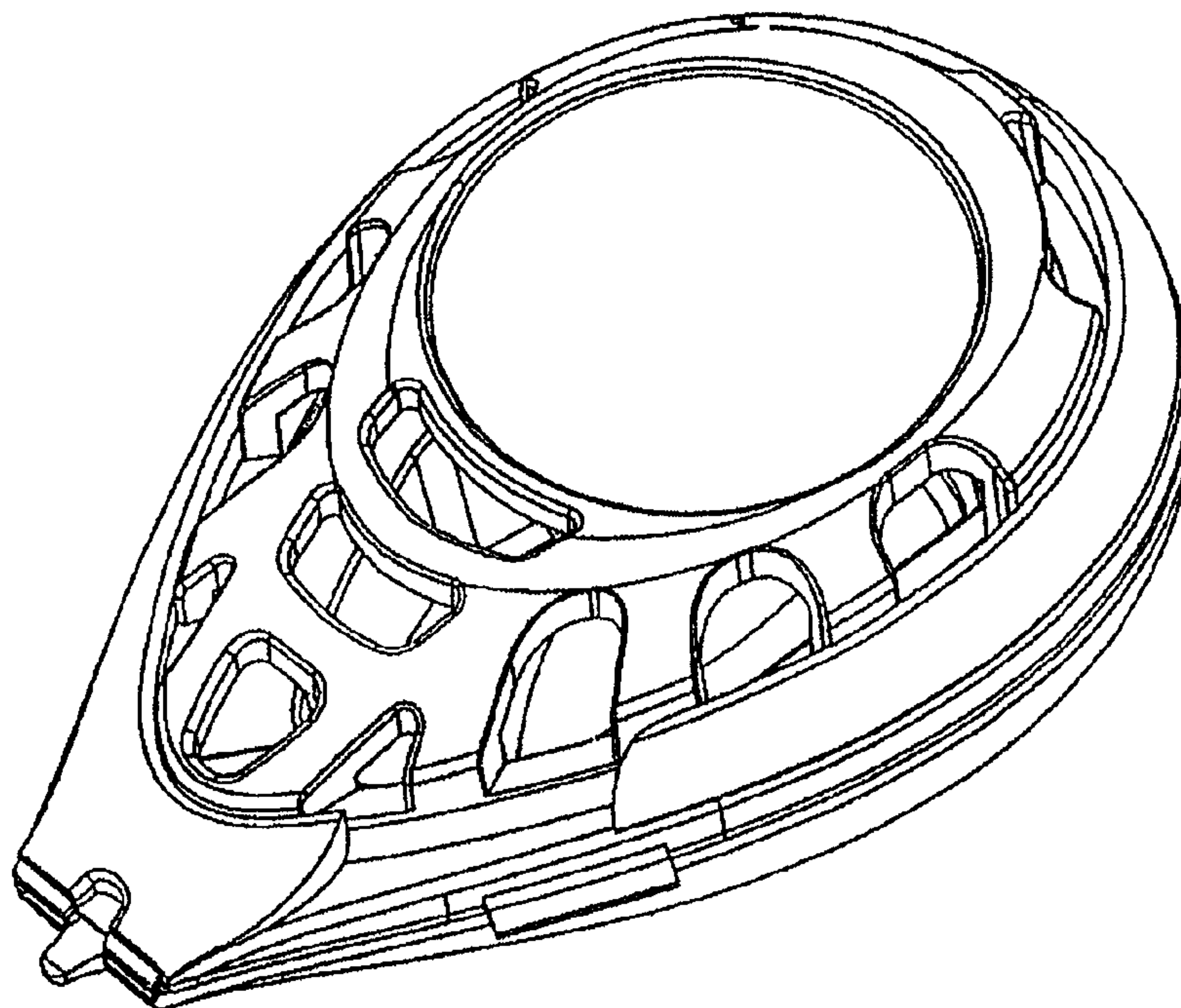
FIG. 8 is a front perspective view showing an attachment for
securing the air freshener in an open position;

FIG. 9 is a front elevational view thereof;

FIG. 10 is a side elevational view thereof; and,

FIG. 11 is a back elevational view thereof.

1 Claim, 11 Drawing Sheets



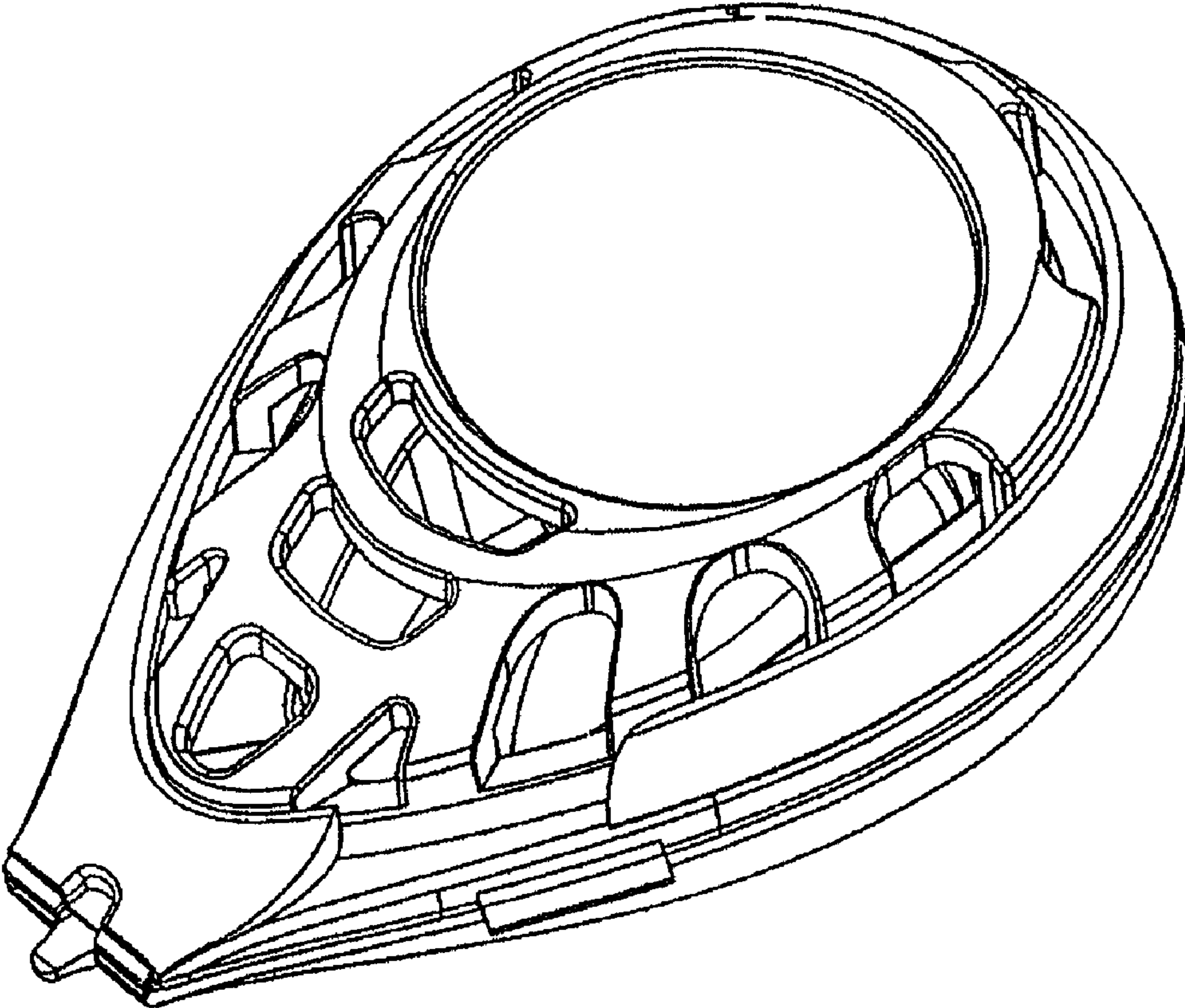


FIG. 1

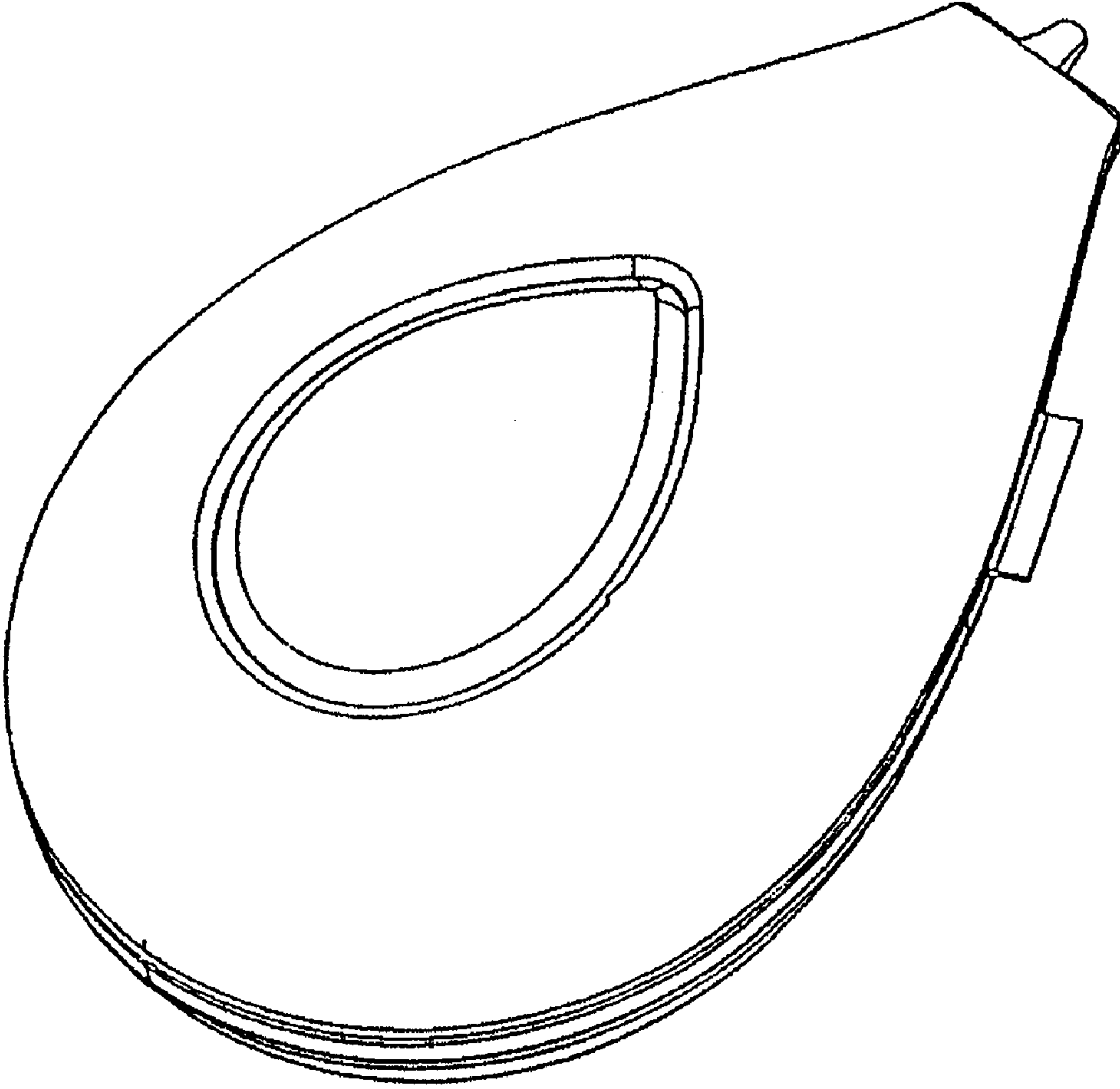


FIG. 2

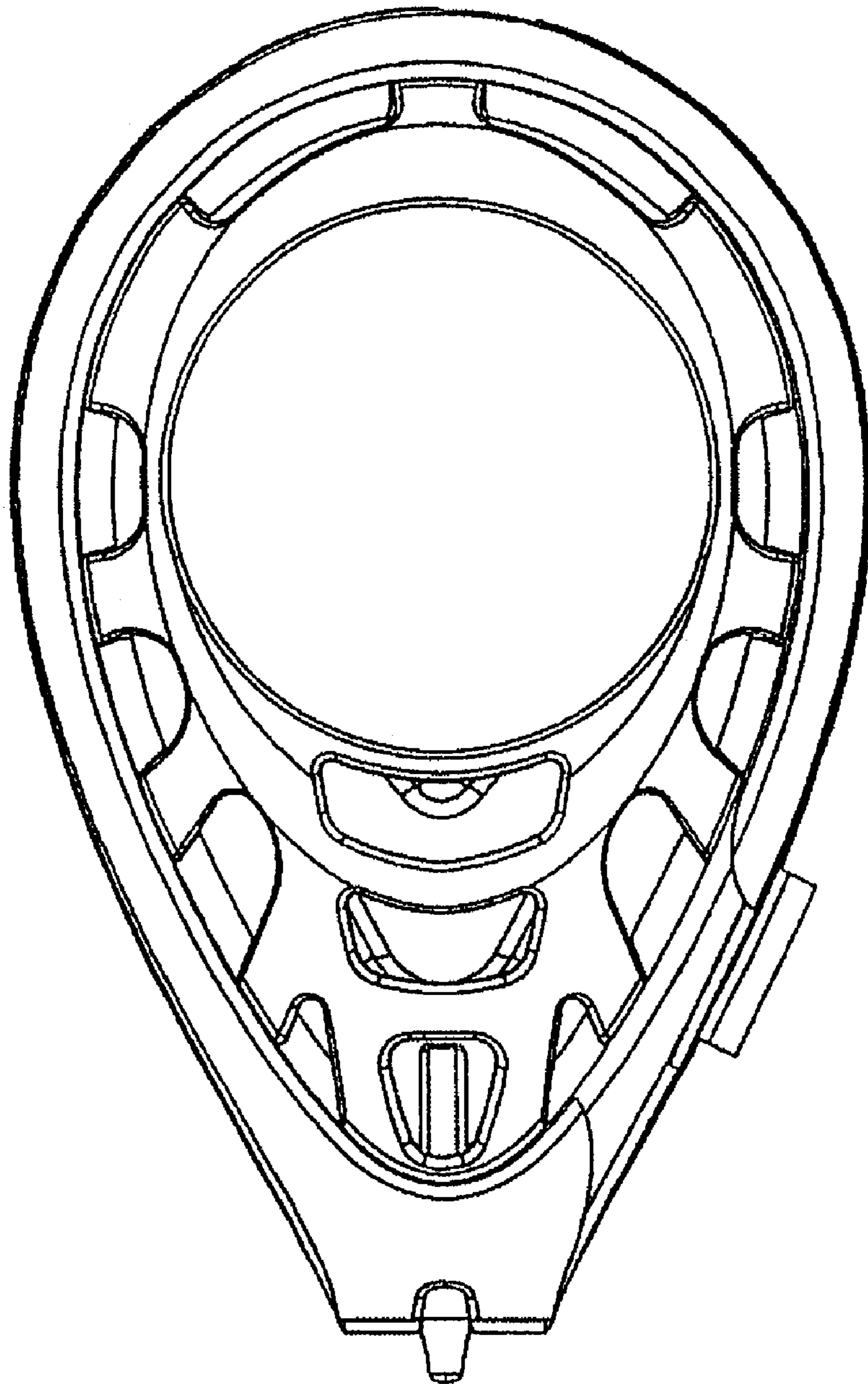


FIG. 3

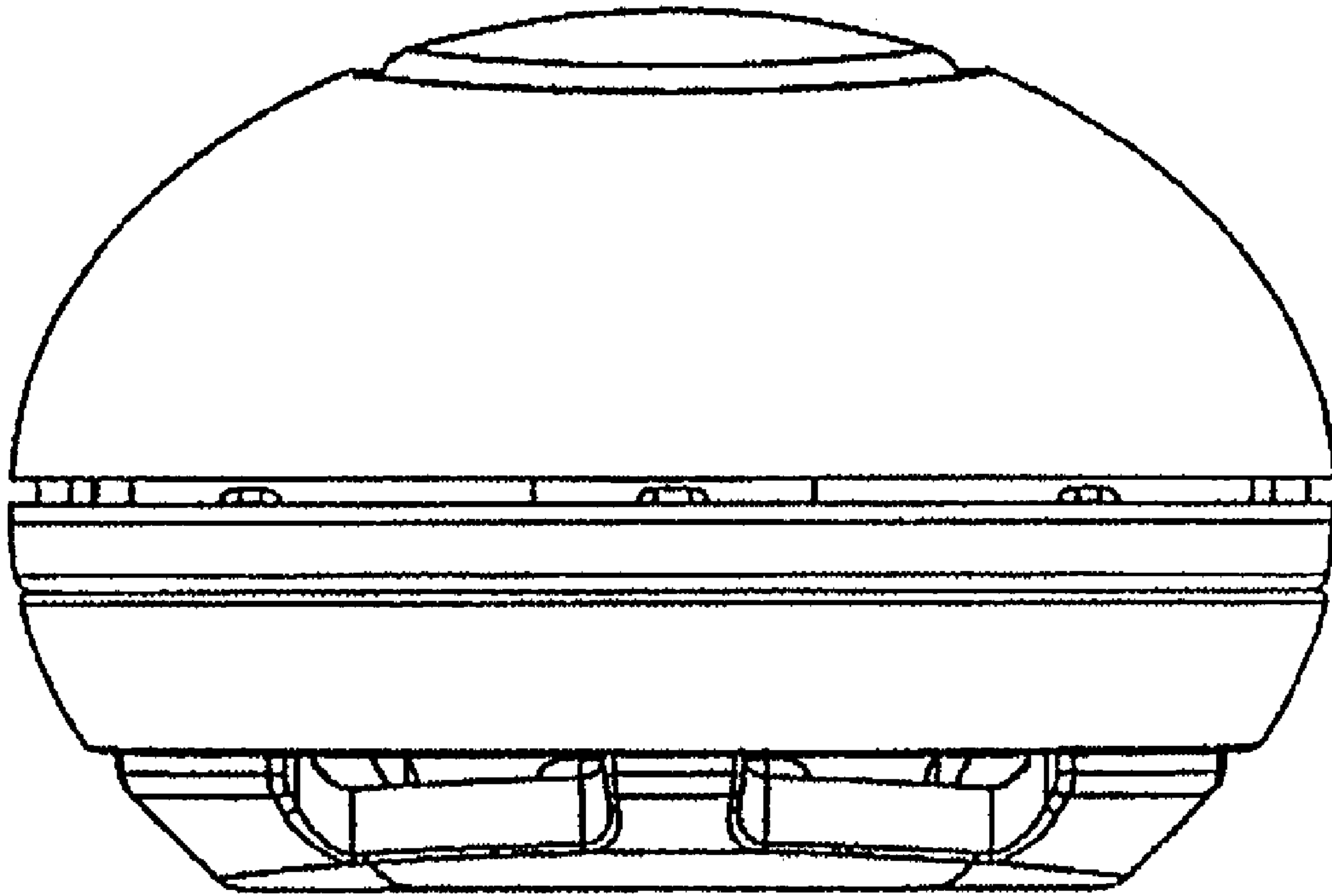


FIG. 4

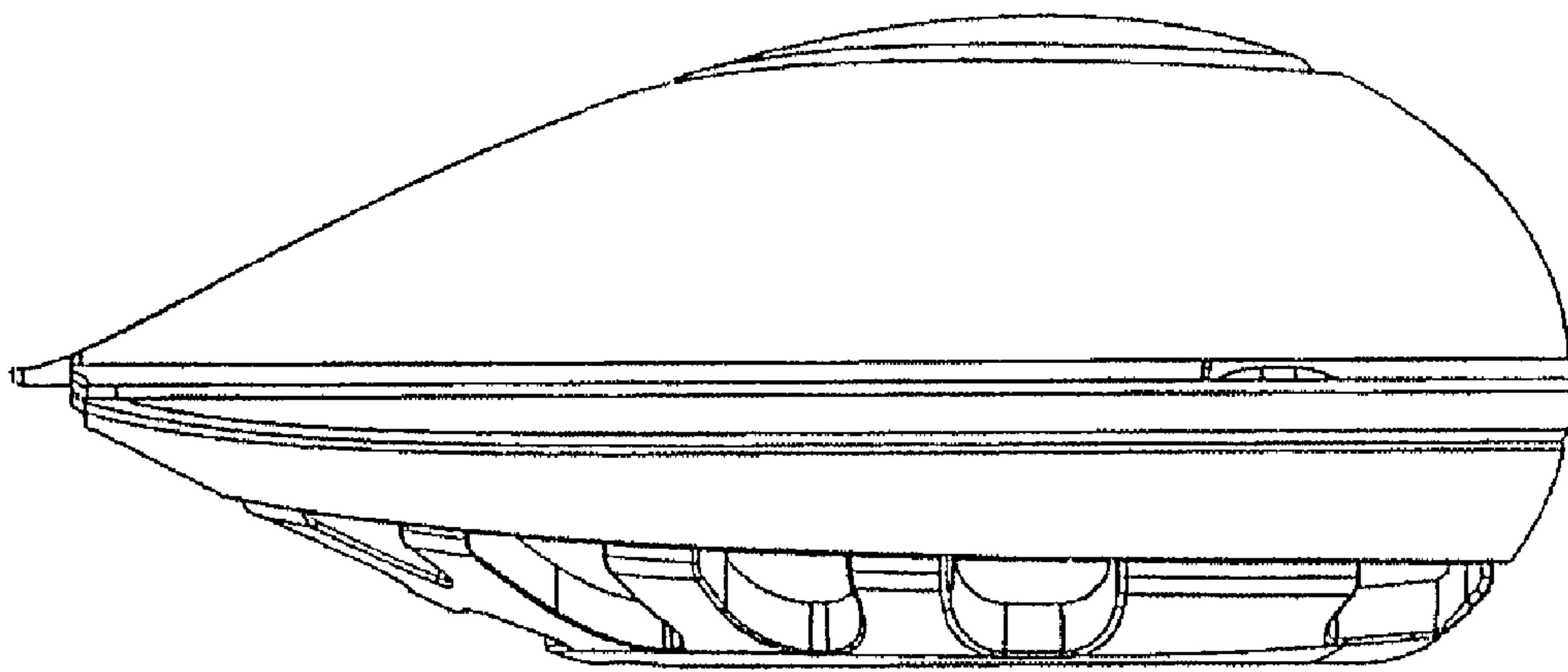


FIG. 5

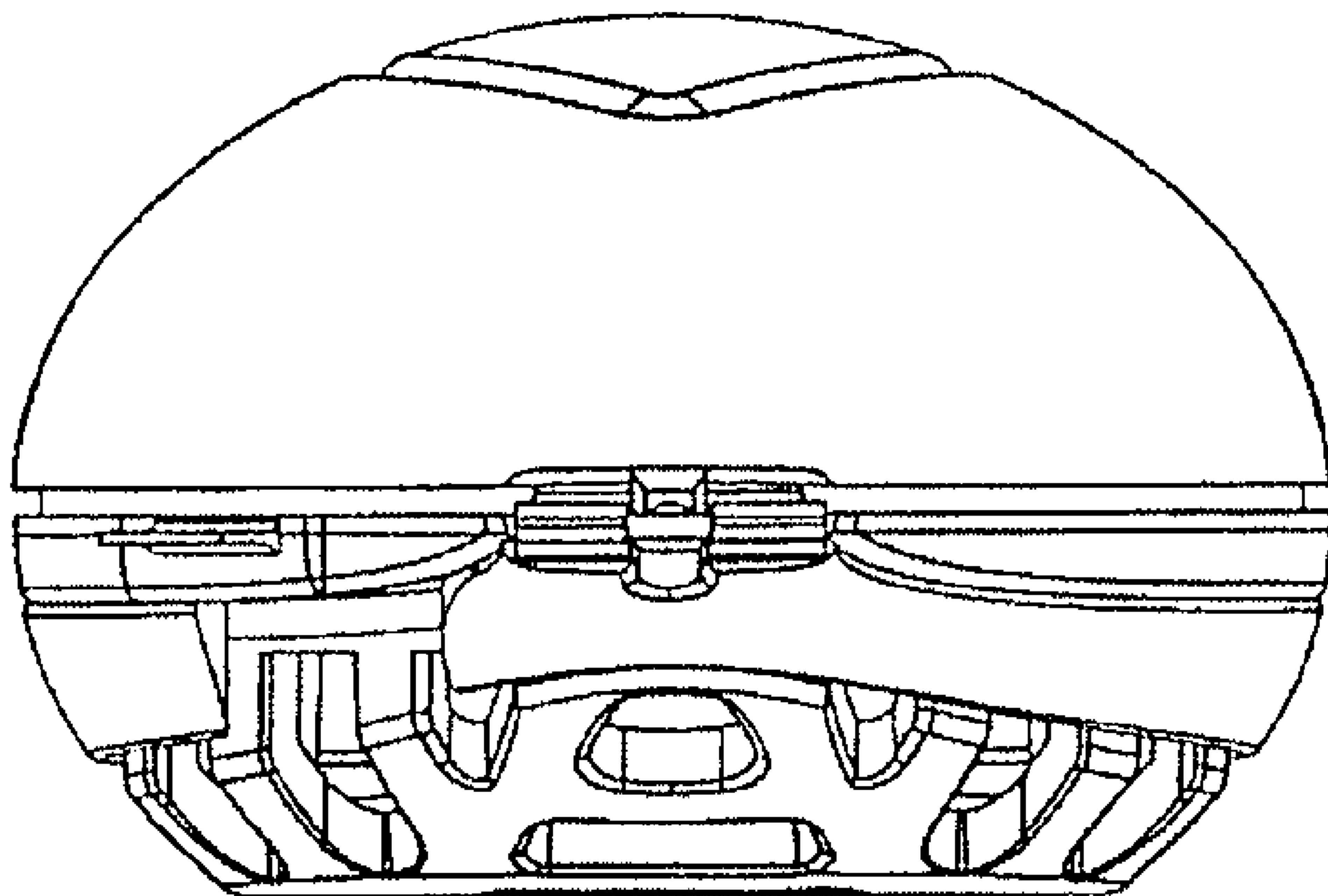


FIG. 6

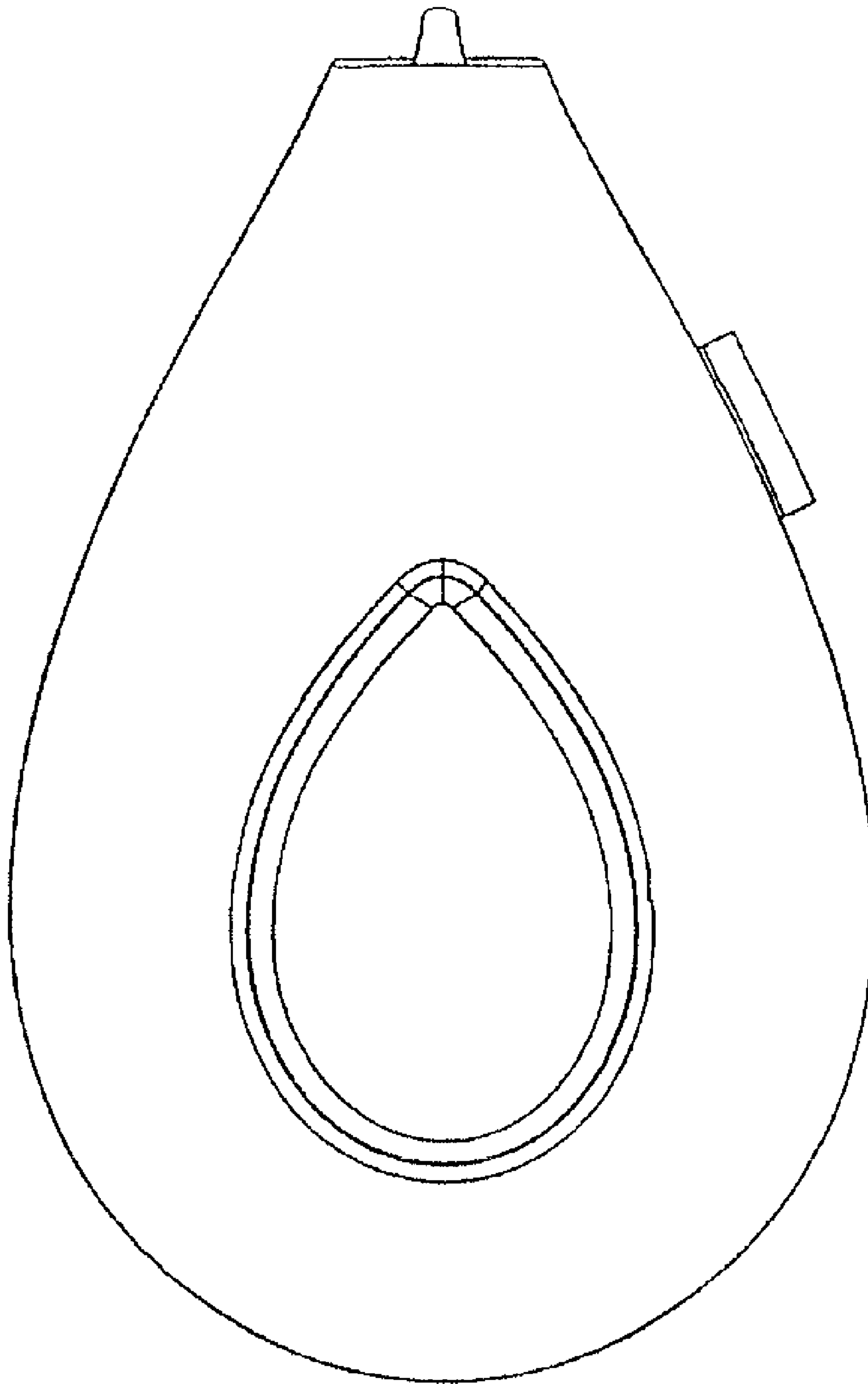


FIG. 7

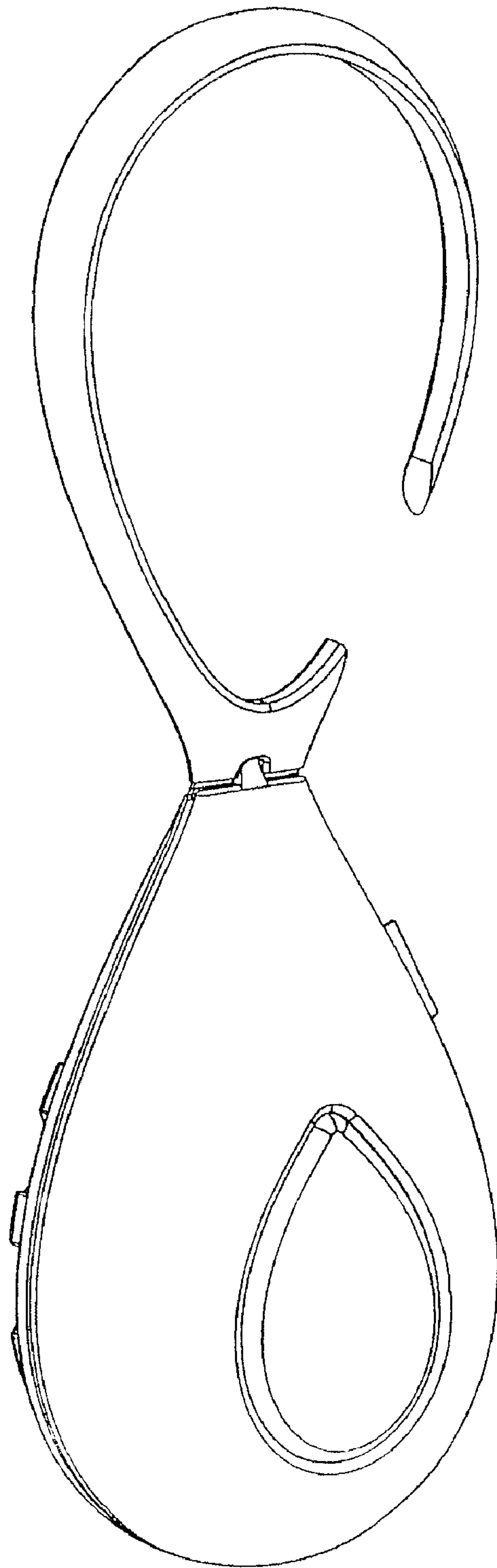


FIG. 8

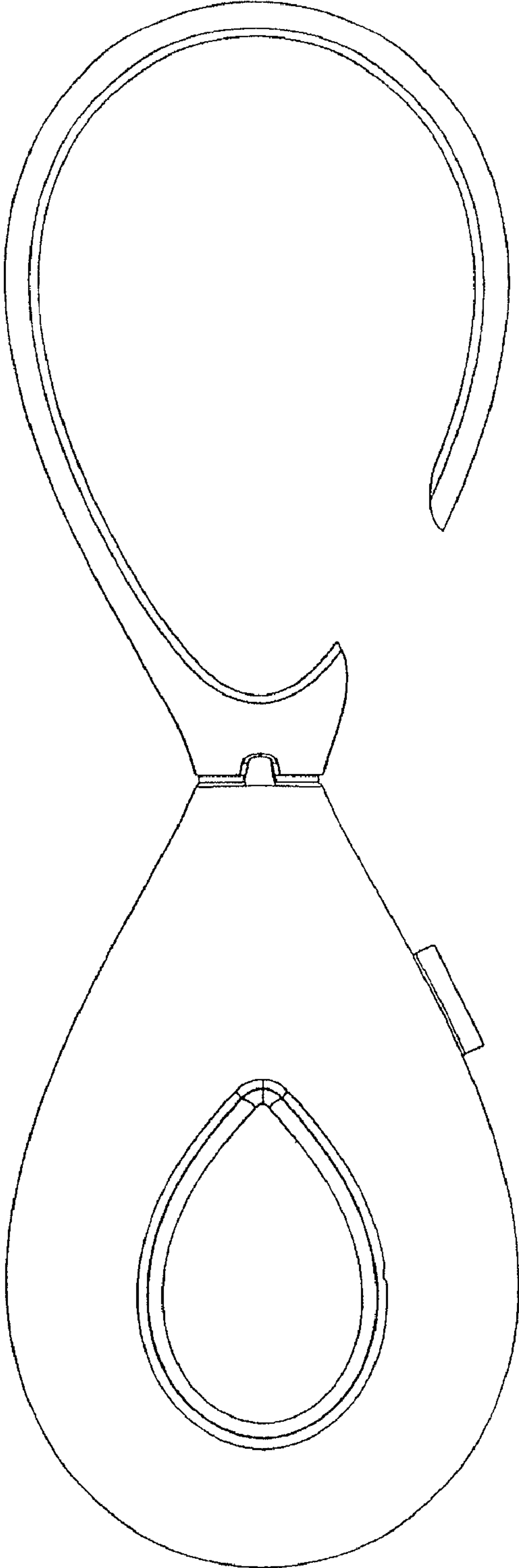


FIG. 9

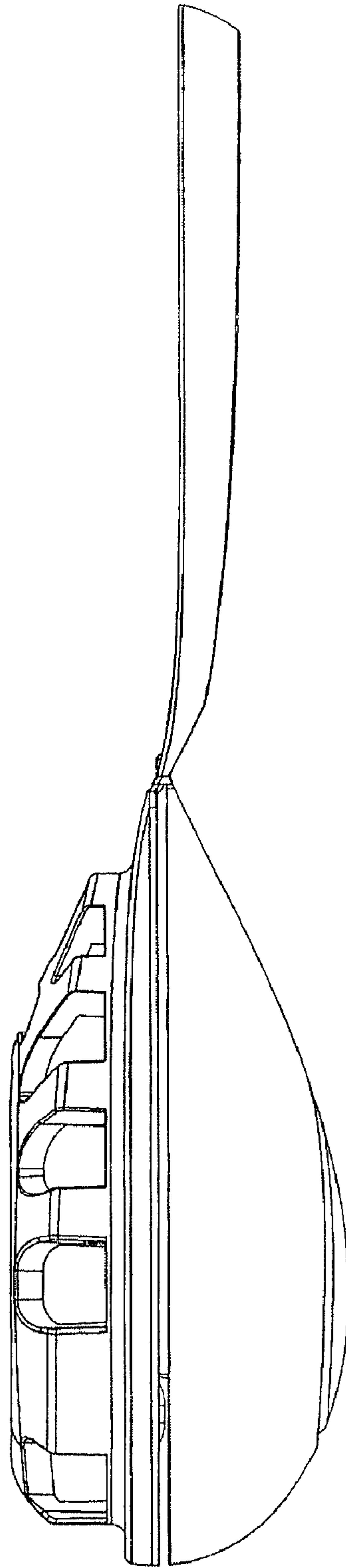


FIG. 10

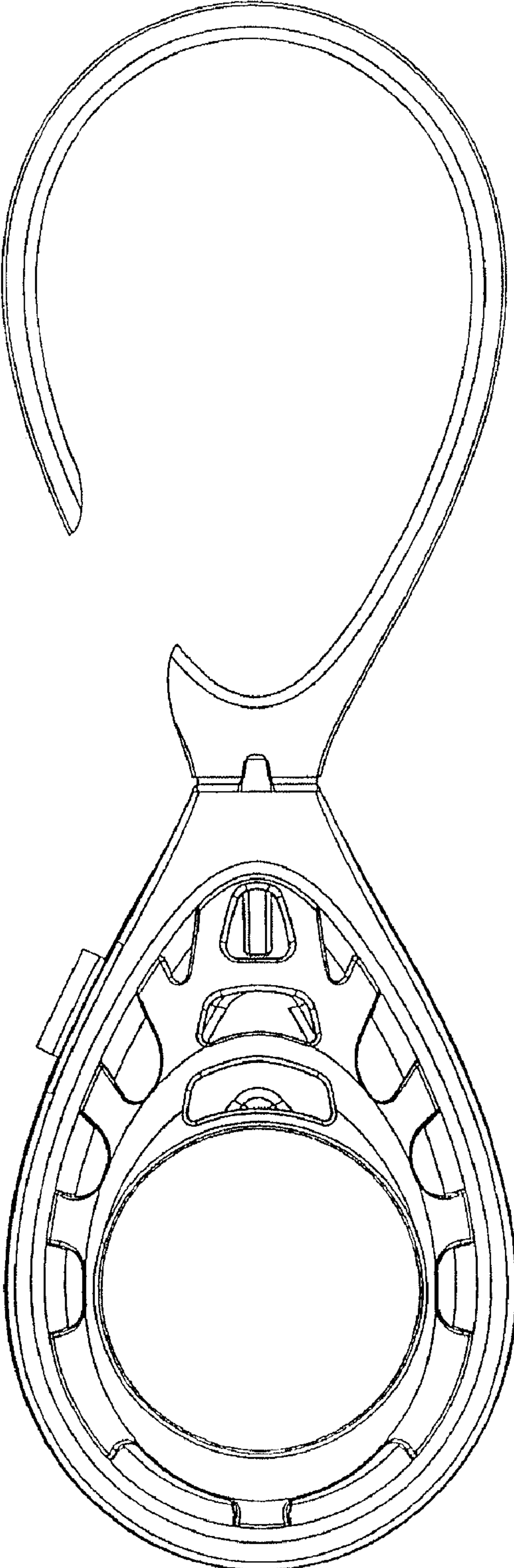


FIG. 11