



US00D532503S

(12) **United States Design Patent**
Shimizu

(10) **Patent No.:** **US D532,503 S**

(45) **Date of Patent:** **** Nov. 21, 2006**

(54) **OUT DOOR UNIT FOR AIR CONDITIONER**

(75) Inventor: **Hisashi Shimizu**, Kusatsu (JP)

(73) Assignee: **Daikin Industries Ltd.**, Osaka (JP)

(**) Term: **14 Years**

(21) Appl. No.: **29/257,351**

(22) Filed: **Apr. 4, 2006**

(30) **Foreign Application Priority Data**

Jan. 18, 2006 (JP) 2006-000842

(51) **LOC (8) Cl.** **23-04**

(52) **U.S. Cl.** **D23/351**

(58) **Field of Classification Search** D23/351-354;
62/259.1, 259.4, 262-263, 298; 312/236;
454/201-204

See application file for complete search history.

(56) **References Cited**

U.S. PATENT DOCUMENTS

D398,388 S * 9/1998 Aihara et al. D23/351

D403,757 S * 1/1999 Aketa et al. D23/351

D414,253 S * 9/1999 Kobayashi et al. D23/351

D443,349 S * 6/2001 Nonaka D23/351

D495,407 S * 8/2004 Asaoka et al. D23/351

D497,983 S * 11/2004 Nanjo et al. D23/351

D508,118 S * 8/2005 Motonishi et al. D23/351

* cited by examiner

Primary Examiner—Brian N Vinson

(74) *Attorney, Agent, or Firm*—Manabu Kanesaka

(57) **CLAIM**

The ornamental design for an out door unit for air conditioner, as shown and described.

DESCRIPTION

FIG. 1 is a perspective view of an out door unit for air conditioner showing my new design;

FIG. 2 is a front view thereof;

FIG. 3 is a rear view thereof;

FIG. 4 is a plan view thereof;

FIG. 5 is a bottom view thereof;

FIG. 6 is a right side view thereof; and,

FIG. 7 is a left side view thereof.

1 Claim, 3 Drawing Sheets

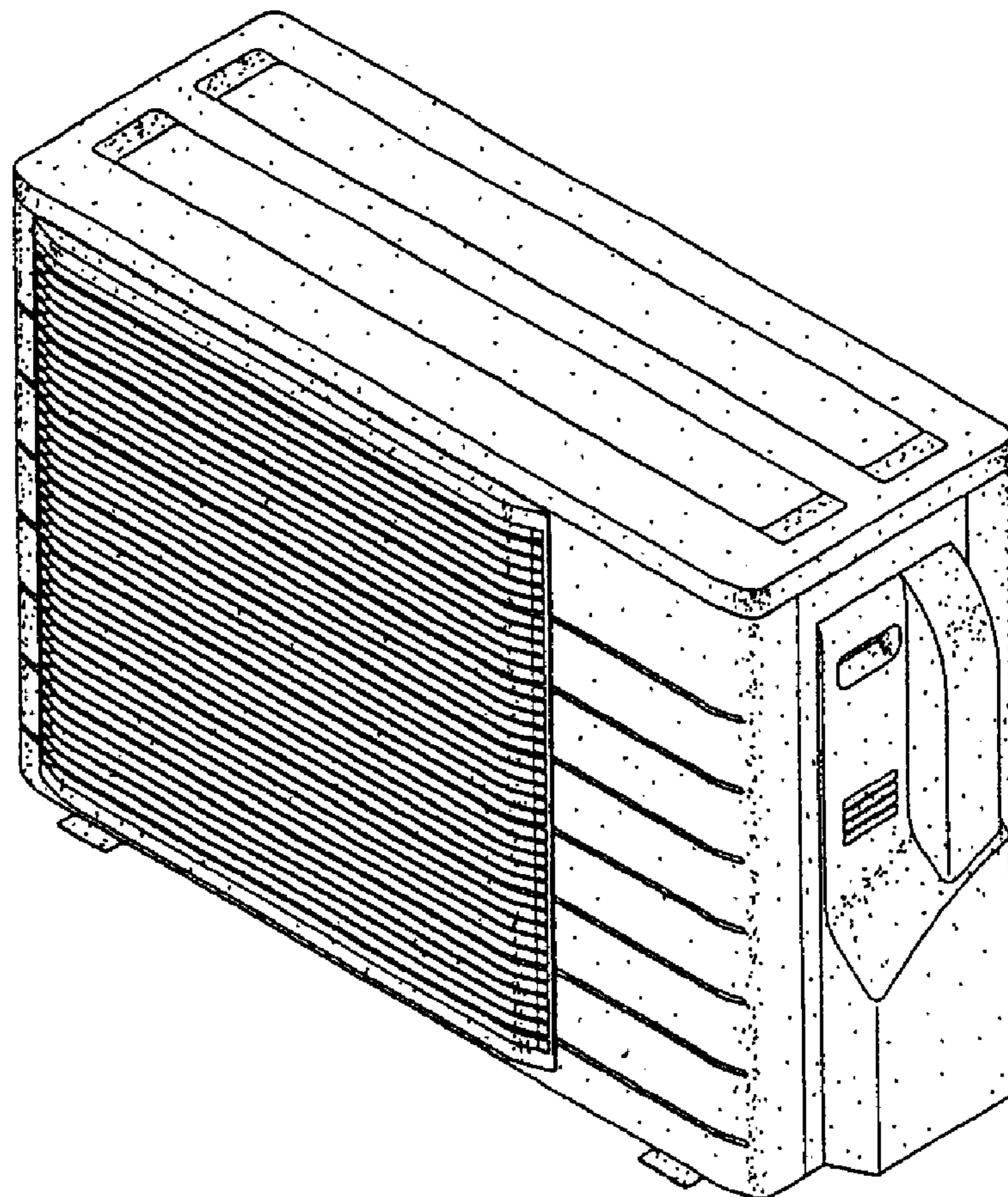


Fig. 1

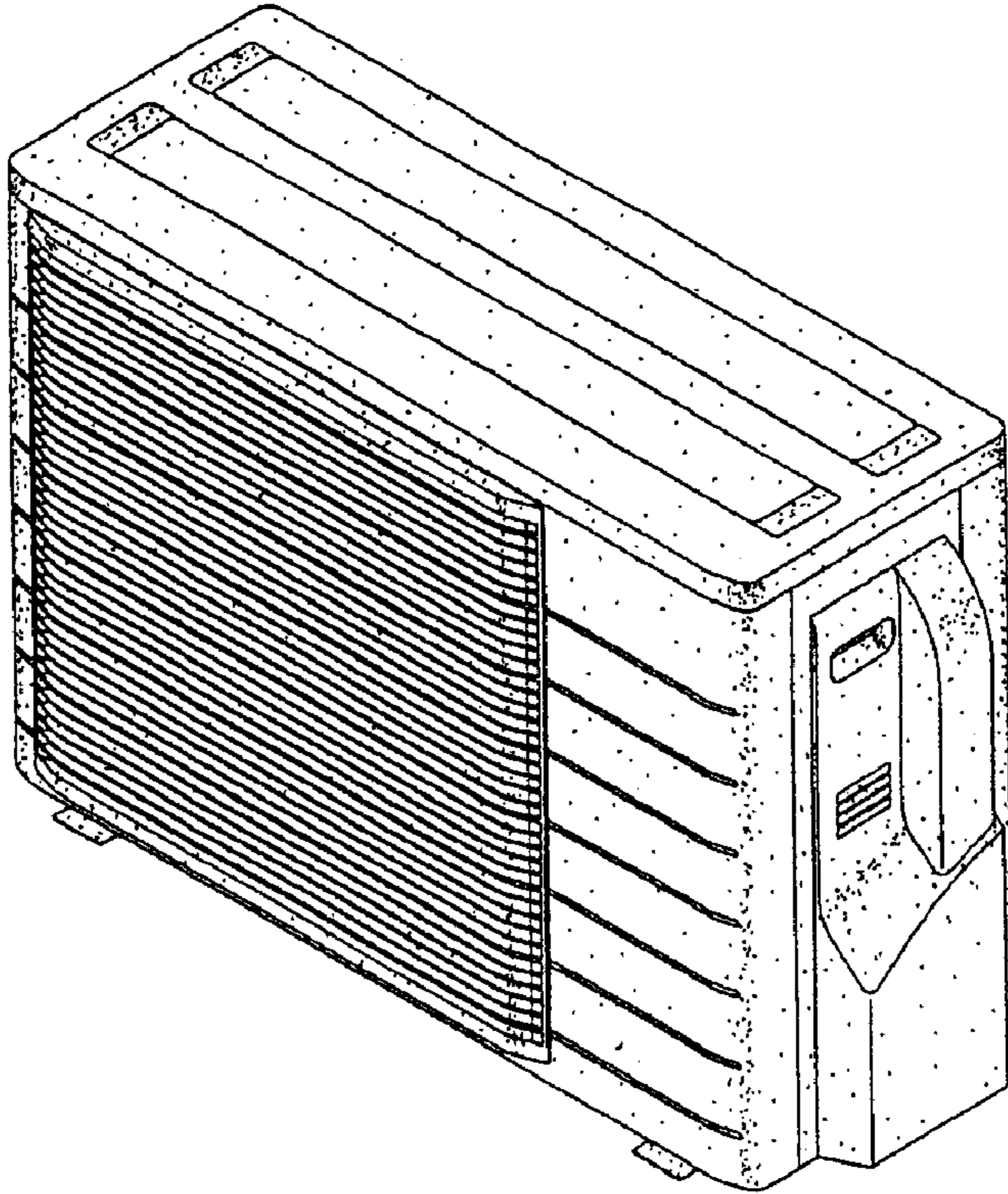


Fig. 2

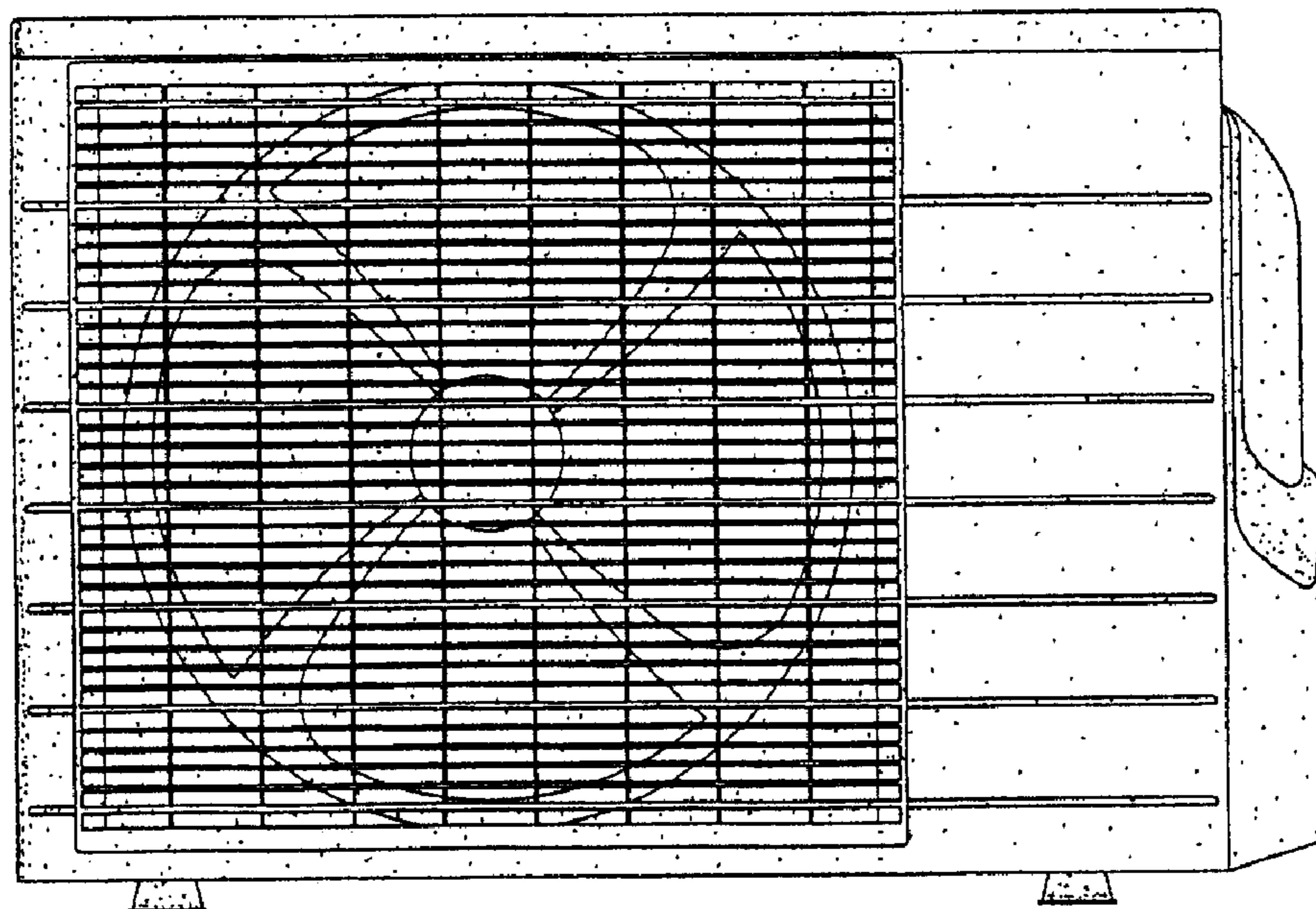


Fig. 3

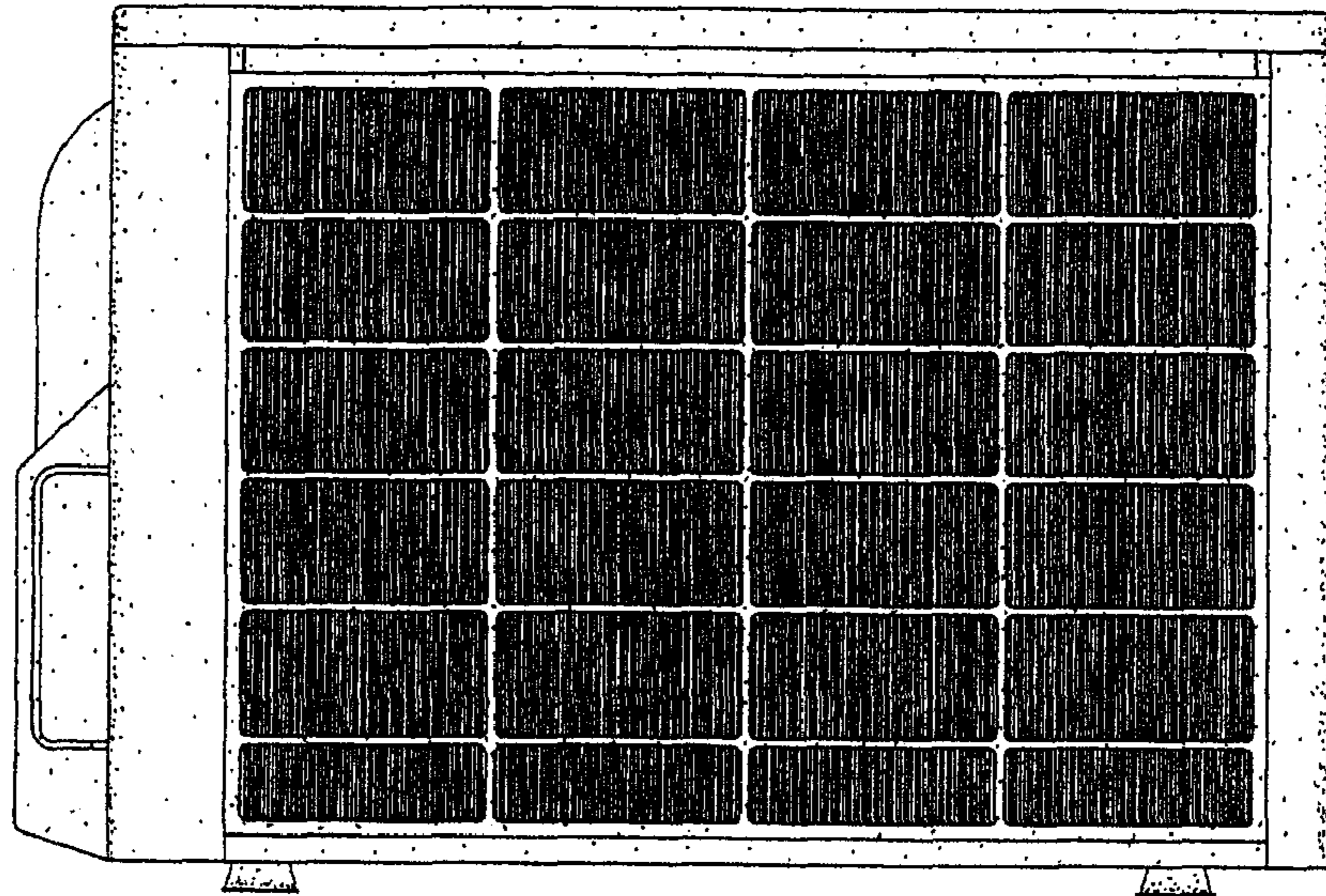


Fig. 4

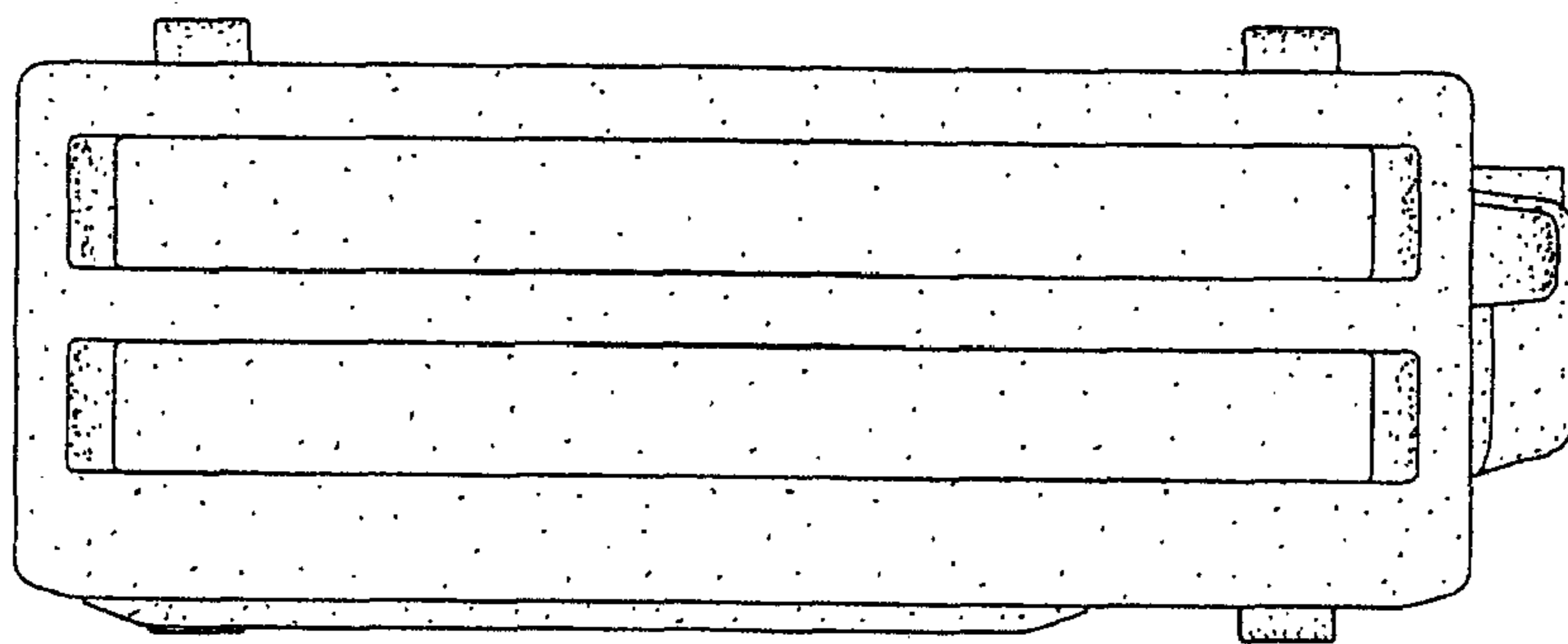


Fig. 5

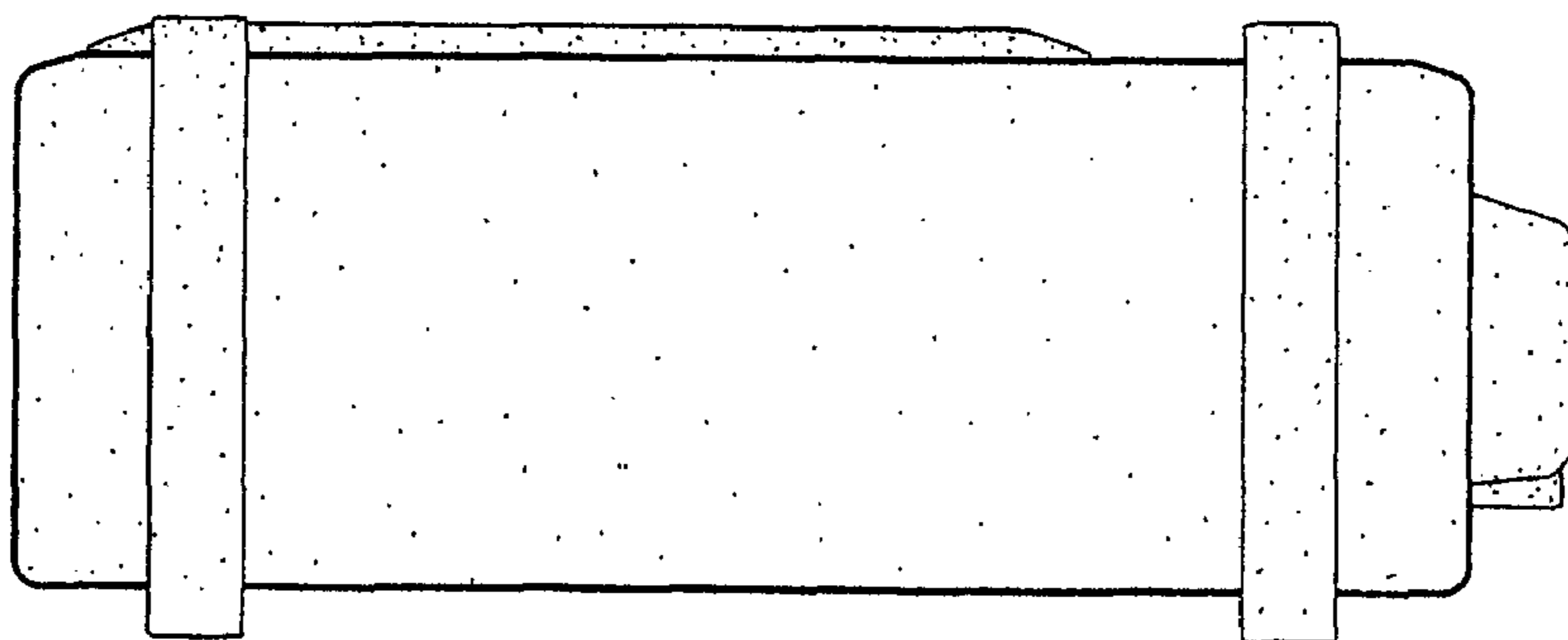


Fig. 6

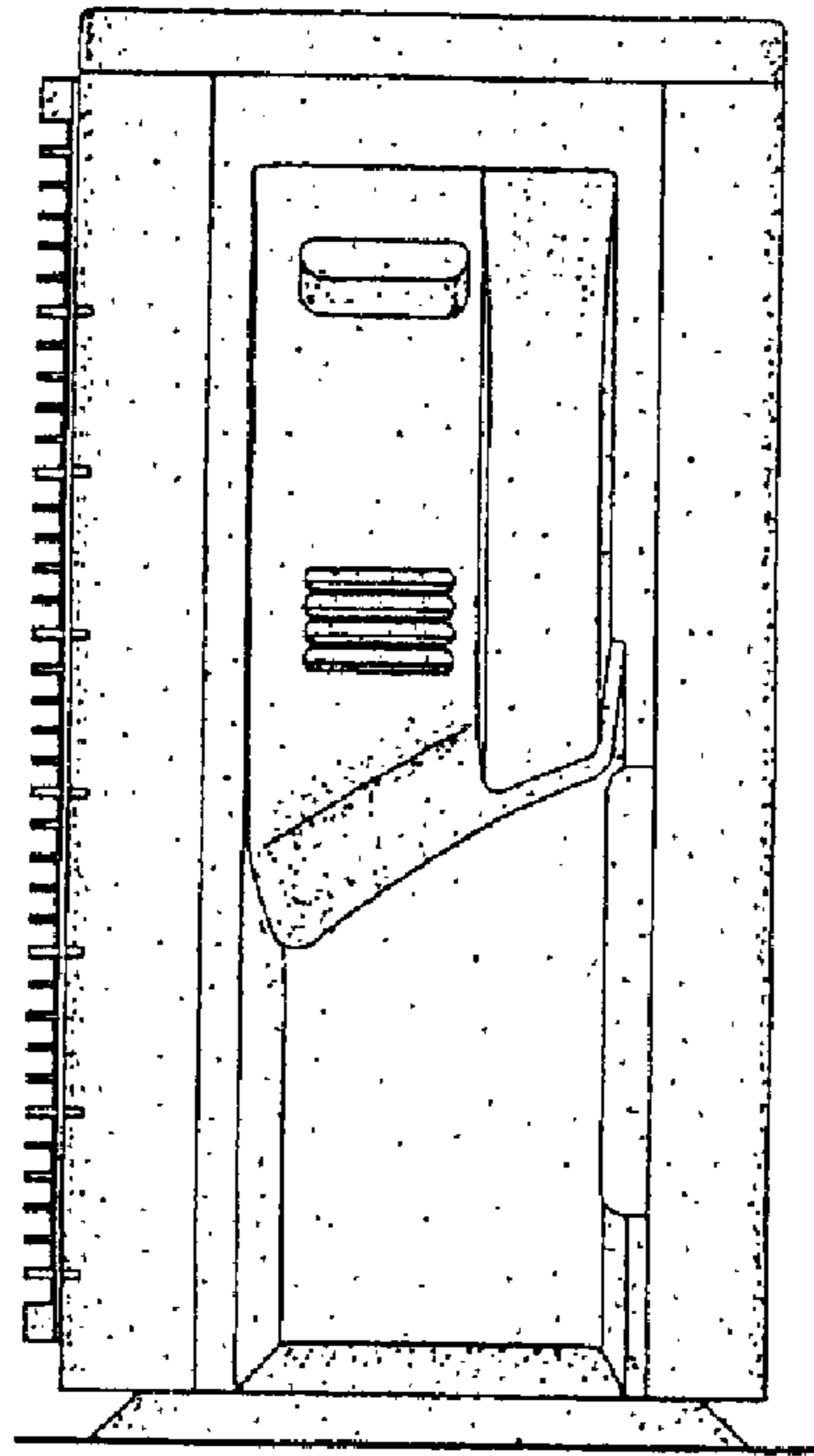


Fig. 7

