



US00D532501S

(12) **United States Design Patent**  
**Giovino**

(10) **Patent No.:** **US D532,501 S**

(45) **Date of Patent:** **\*\* Nov. 21, 2006**

(54) **PATIO HEATER**

D474,532 S 5/2003 Chan et al.  
D486,211 S \* 2/2004 Chan et al. .... D23/339  
D486,567 S \* 2/2004 Sakai ..... D23/339

(75) Inventor: **Christopher J. Giovino**, Randolph, NJ  
(US)

\* cited by examiner

(73) Assignee: **Sunjoy Industries Group, Inc.**,  
Steubenville, OH (US)

*Primary Examiner*—Brian N Vinson  
(74) *Attorney, Agent, or Firm*—Hugo A. Delevie

(\*\*) Term: **14 Years**

(57) **CLAIM**

(21) Appl. No.: **29/246,566**

The ornamental design for a patio heater, as shown and described.

(22) Filed: **Apr. 24, 2006**

**DESCRIPTION**

(51) **LOC (8) Cl.** ..... **23-03**

(52) **U.S. Cl.** ..... **D23/339**

(58) **Field of Classification Search** ..... D23/328,  
D23/332, 335–336, 342; 126/51, 92 R, 92 B,  
126/92 AC, 93; 362/92, 217, 253; 431/331,  
431/344

See application file for complete search history.

FIG. 1 is a perspective view of a patio heater in accordance with the invention;

FIG. 2 is a front elevation of the patio heater of FIG. 1;

FIG. 3 is a rear elevation of the patio heater of FIG. 1;

FIG. 4 is a left side elevation of the patio heater of FIG. 1;

FIG. 5 is a right side elevation of the patio heater of FIG. 1;

FIG. 6 is a top plan view of the patio heater of FIG. 1; and,

FIG. 7 is a bottom view of the patio heater of FIG. 1.

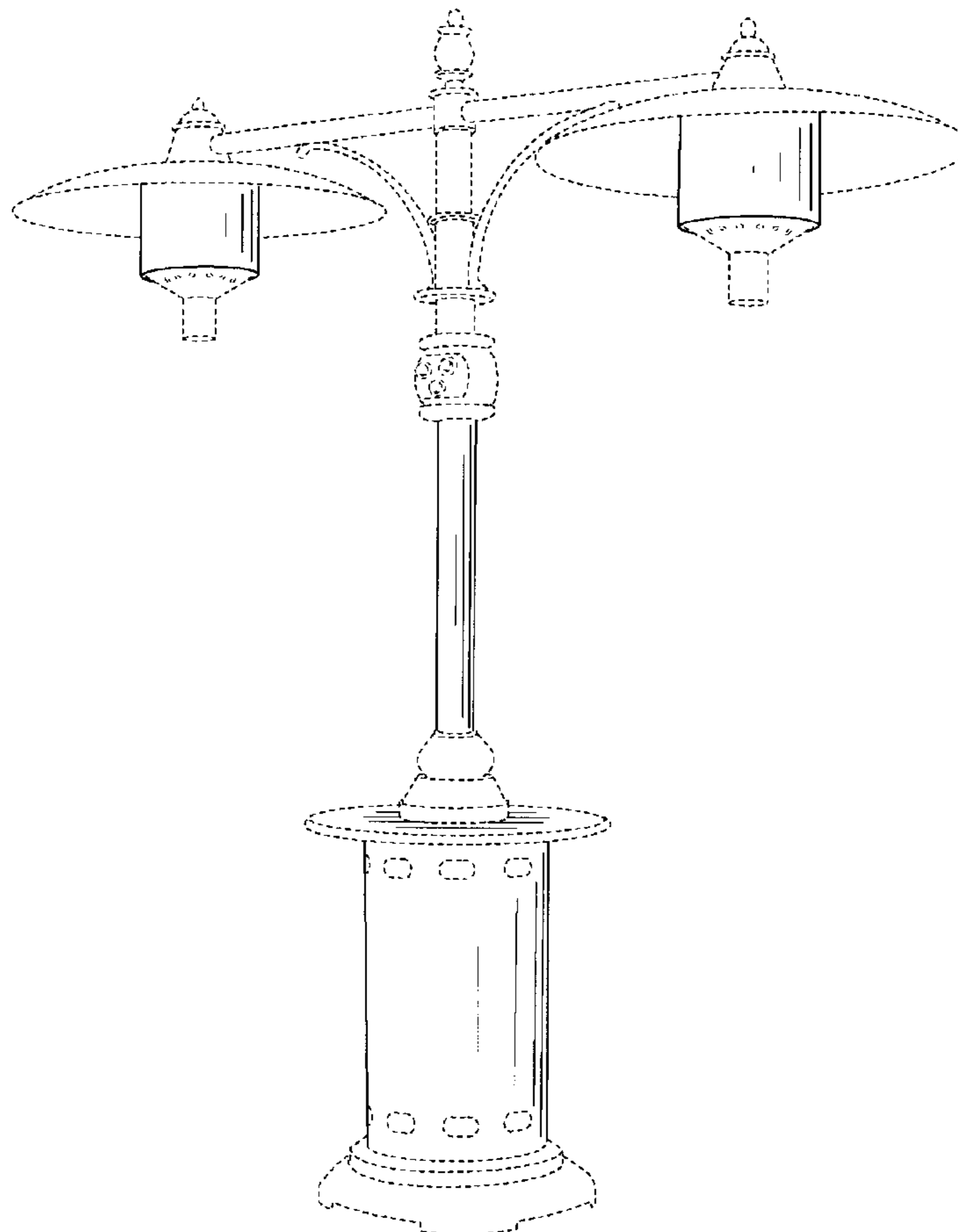
Broken lines are used in the Drawings to denote certain subject matter, for example, environmental structure or boundaries, that are for illustrative purposes only and form no part of the claimed design.

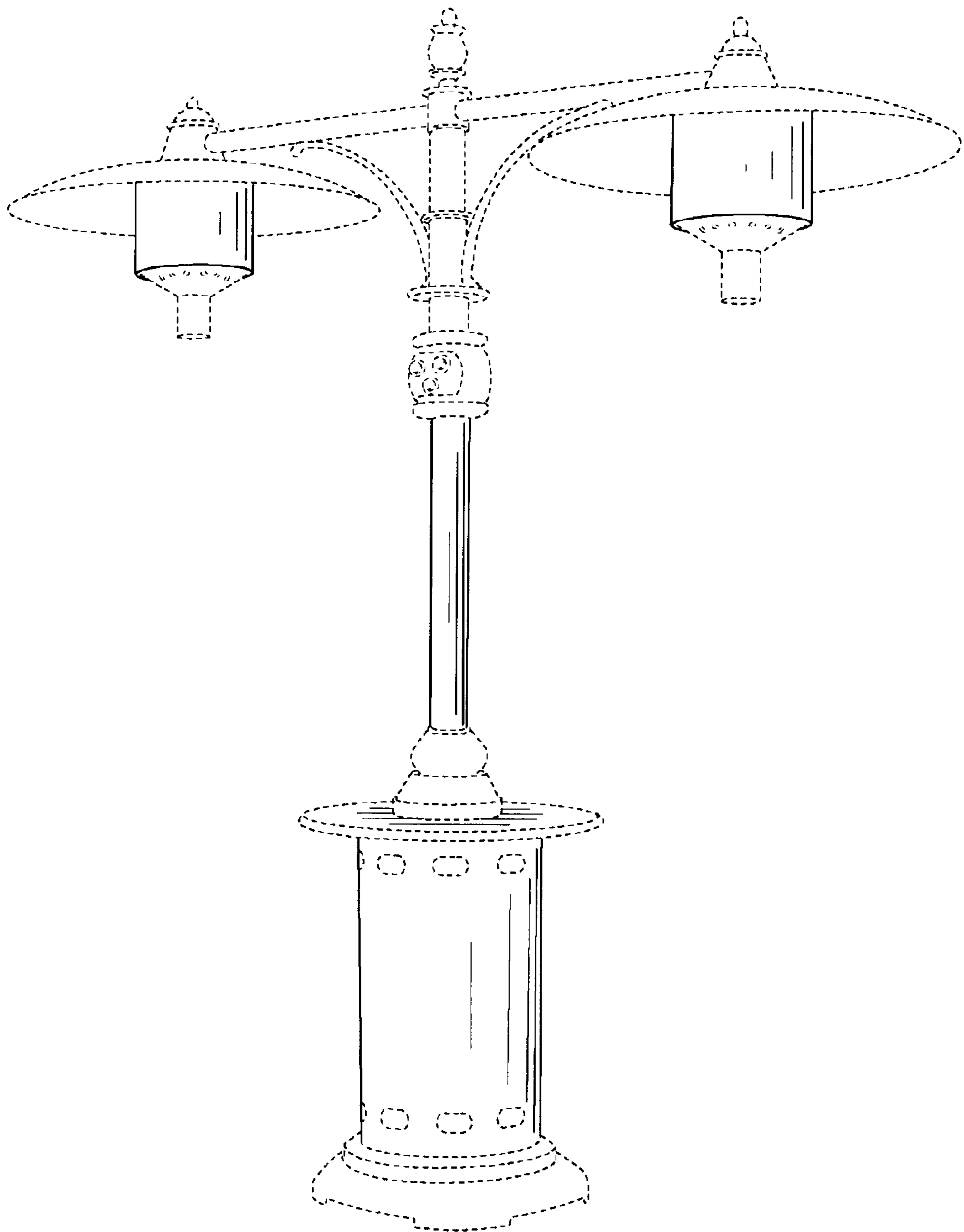
(56) **References Cited**

**U.S. PATENT DOCUMENTS**

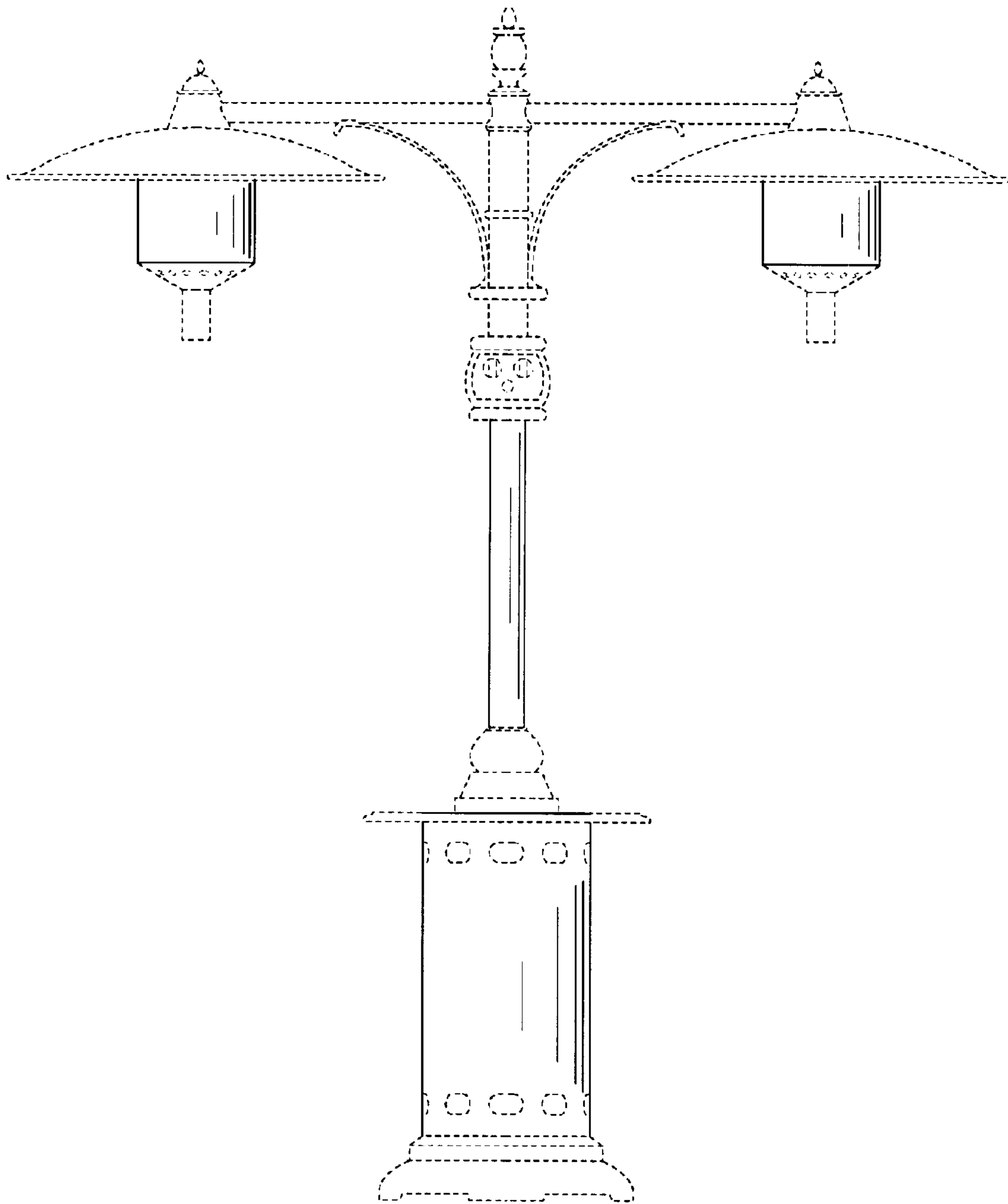
D429,803 S \* 8/2000 Schmidt ..... D23/339  
D471,622 S \* 3/2003 Bossler ..... D23/339  
D471,967 S 3/2003 Bossler  
D472,623 S \* 4/2003 Bossler ..... D23/339

**1 Claim, 6 Drawing Sheets**

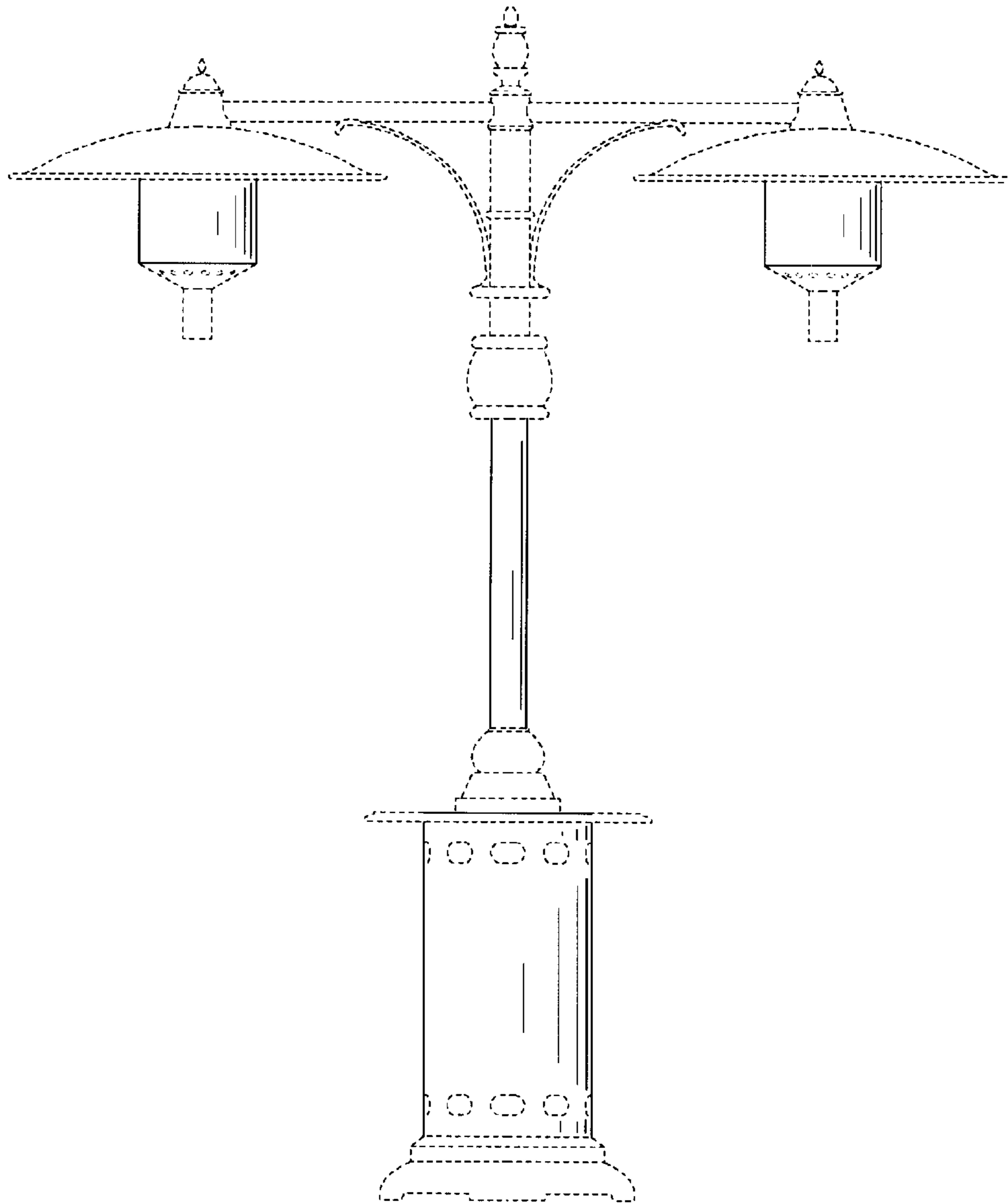




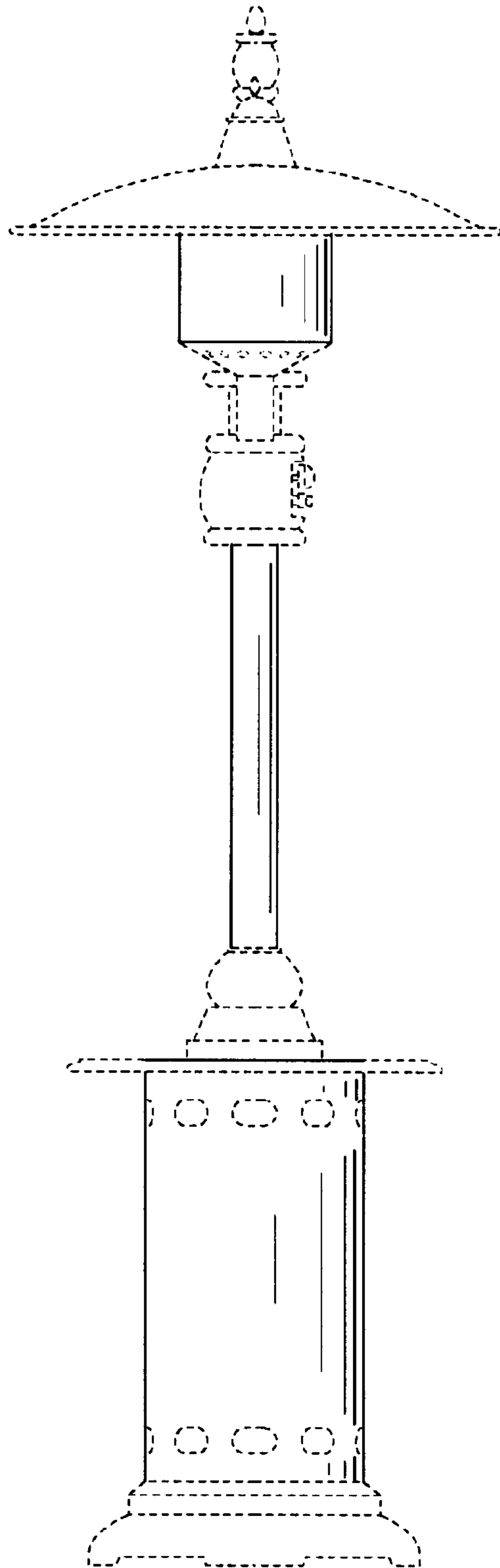
**FIG. 1**



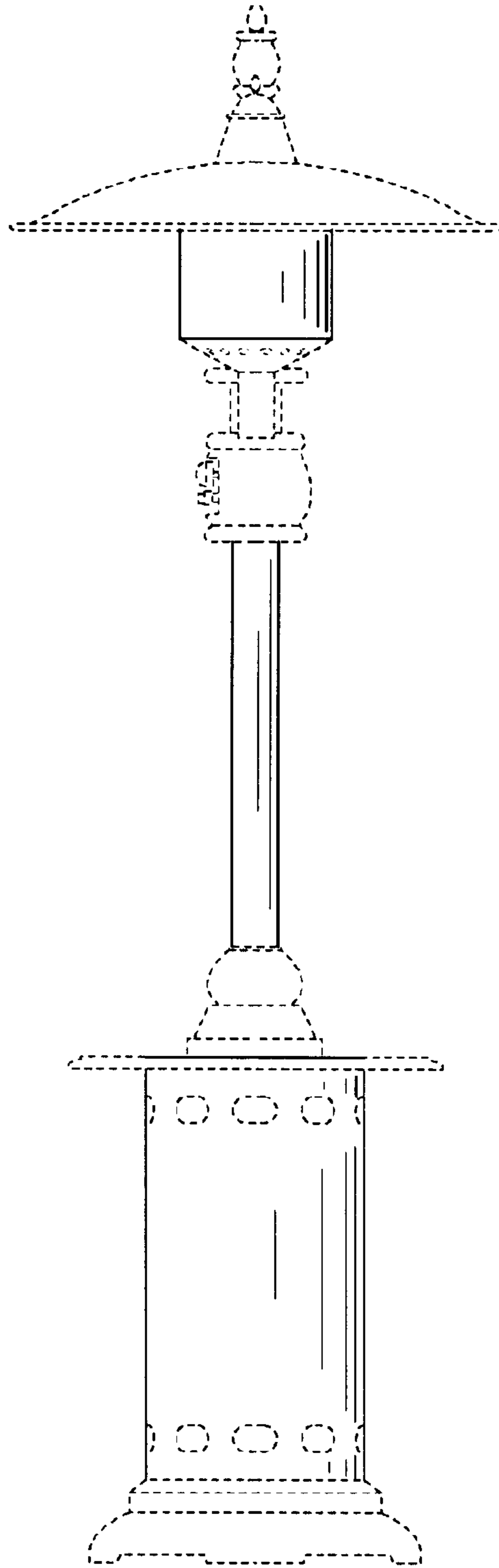
**FIG. 2**



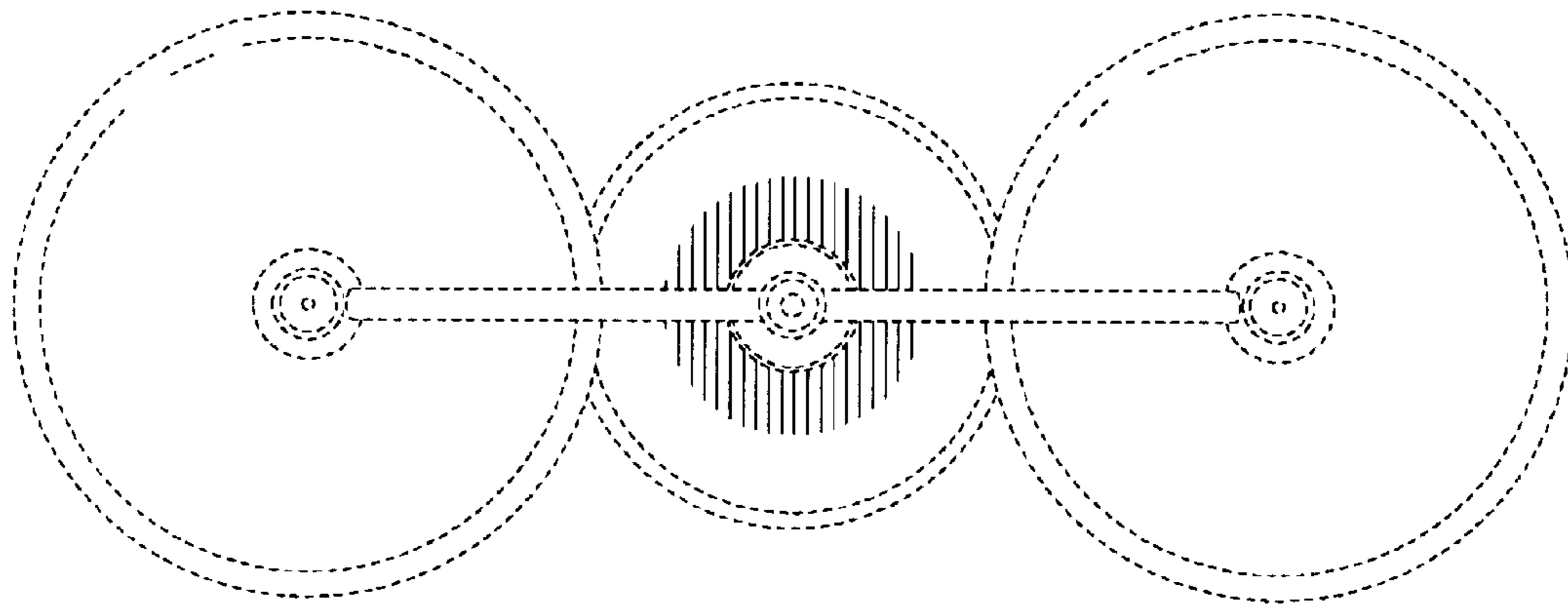
**FIG. 3**



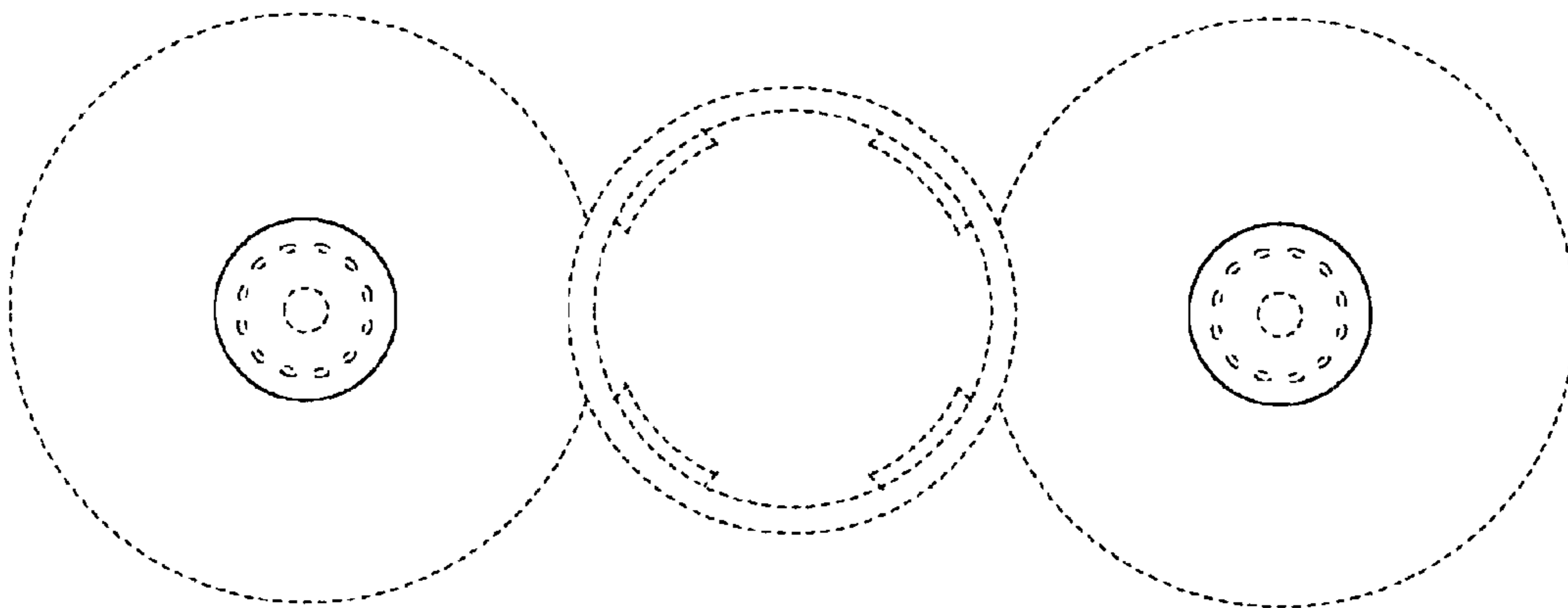
**FIG. 4**



**FIG. 5**



**FIG. 6**



**FIG. 7**