



US00D532500S

(12) **United States Design Patent**  
**Yeung**

(10) **Patent No.:** **US D532,500 S**

(45) **Date of Patent:** **\*\* Nov. 21, 2006**

(54) **PATIO HEATER**

(75) Inventor: **K. W. Yeung**, Kwai Chung (HK)

(73) Assignee: **Housely Industries Limited**, New Territories (HK)

(\*\*) Term: **14 Years**

(21) Appl. No.: **29/235,460**

(22) Filed: **Aug. 2, 2005**

(30) **Foreign Application Priority Data**

Feb. 9, 2005 (EM) ..... 000292883-0001

(51) **LOC (8) Cl.** ..... **23-03**

(52) **U.S. Cl.** ..... **D23/339**

(58) **Field of Classification Search** ..... D23/328,  
D23/332, 335-336, 342; 126/51, 92 R, 92 B,  
126/92 AC, 93; 362/92, 217, 253; 431/331,  
431/344

See application file for complete search history.

(56) **References Cited**

**U.S. PATENT DOCUMENTS**

D429,803 S \* 8/2000 Schmidt ..... D23/339

D471,622 S \* 3/2003 Bossler ..... D23/339

D472,623 S \* 4/2003 Bossler ..... D23/339

D486,211 S \* 2/2004 Chan et al. .... D23/339

D486,567 S \* 2/2004 Sakai ..... D23/339

\* cited by examiner

*Primary Examiner*—Brian N Vinson

(74) *Attorney, Agent, or Firm*—Law Office of Sergei Orel, LLC

(57) **CLAIM**

The ornamental design for a patio heater, as shown and described.

**DESCRIPTION**

FIG. 1 Front view.

FIG. 2 Rear view.

FIG. 3 Right view.

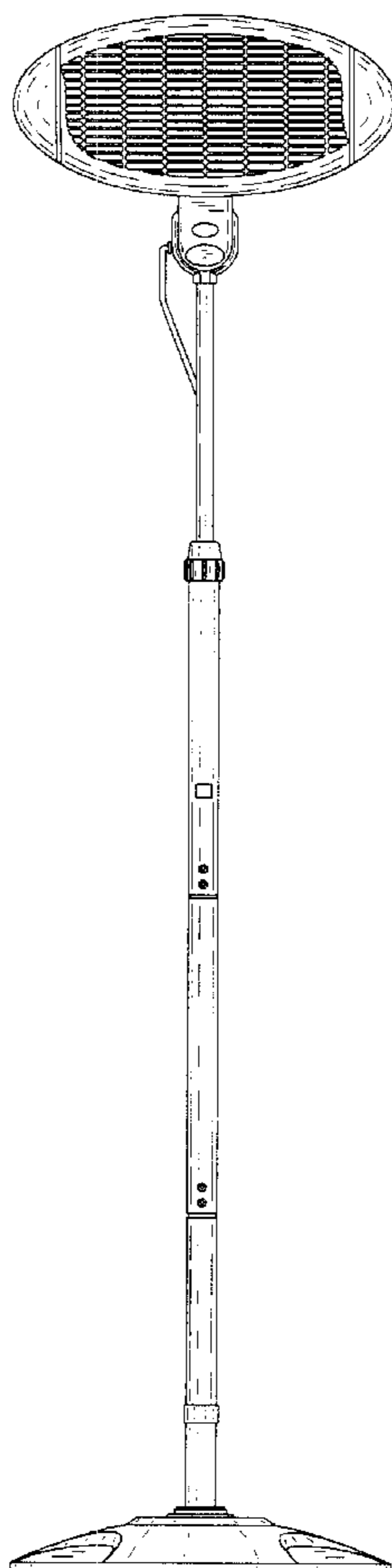
FIG. 4 Left view.

FIG. 5 Top view.

FIG. 6 Bottom view; and,

FIG. 7 Perspective view.

**1 Claim, 4 Drawing Sheets**



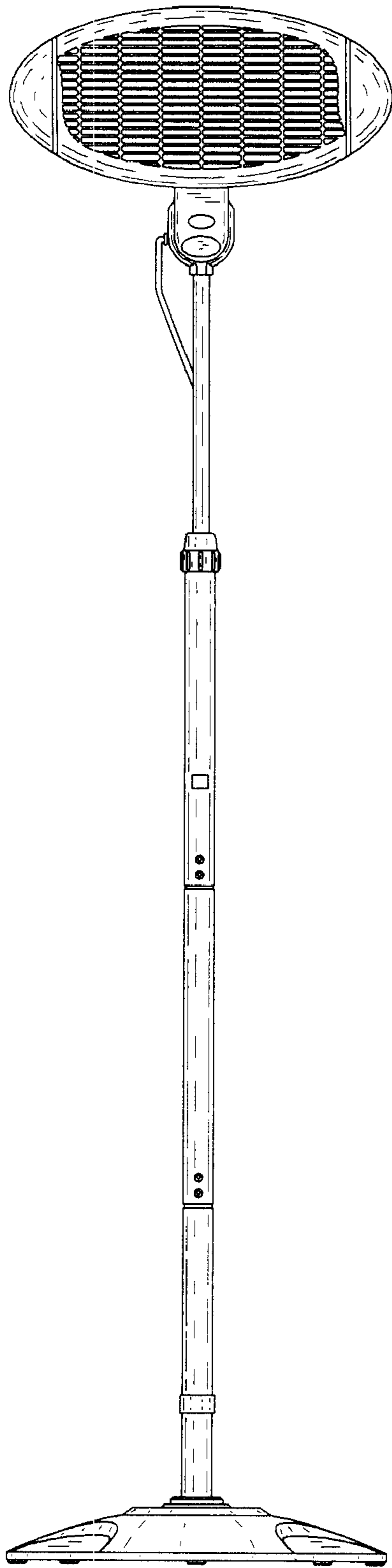


Fig.1

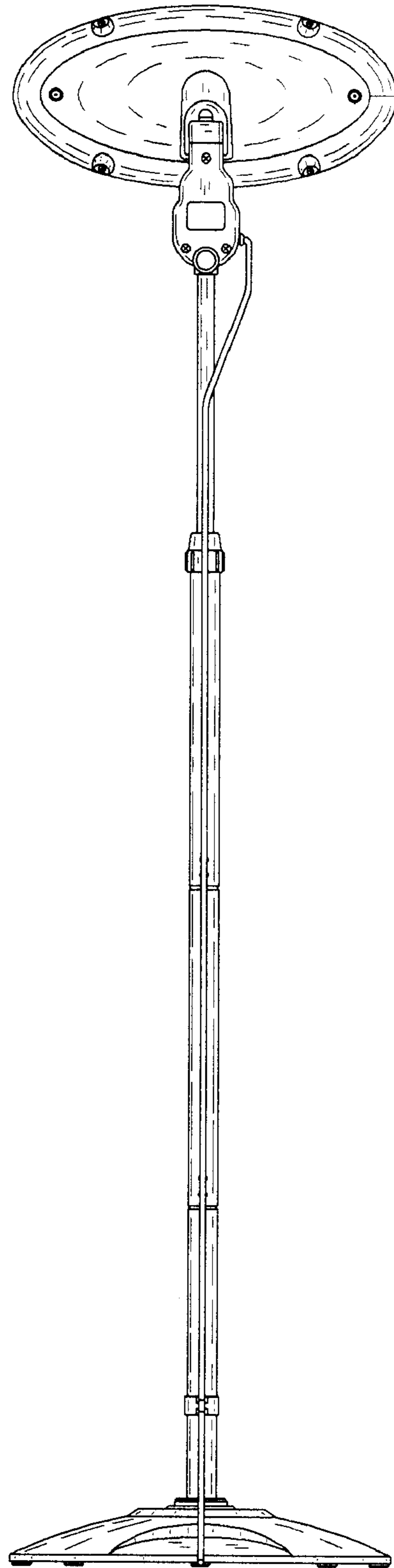


Fig.2

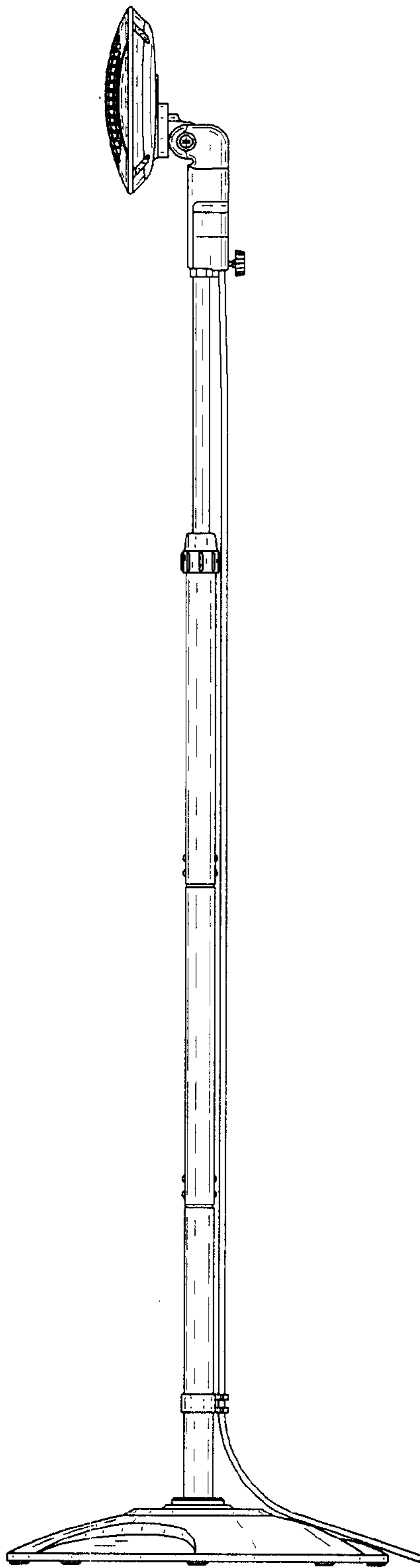


Fig.3

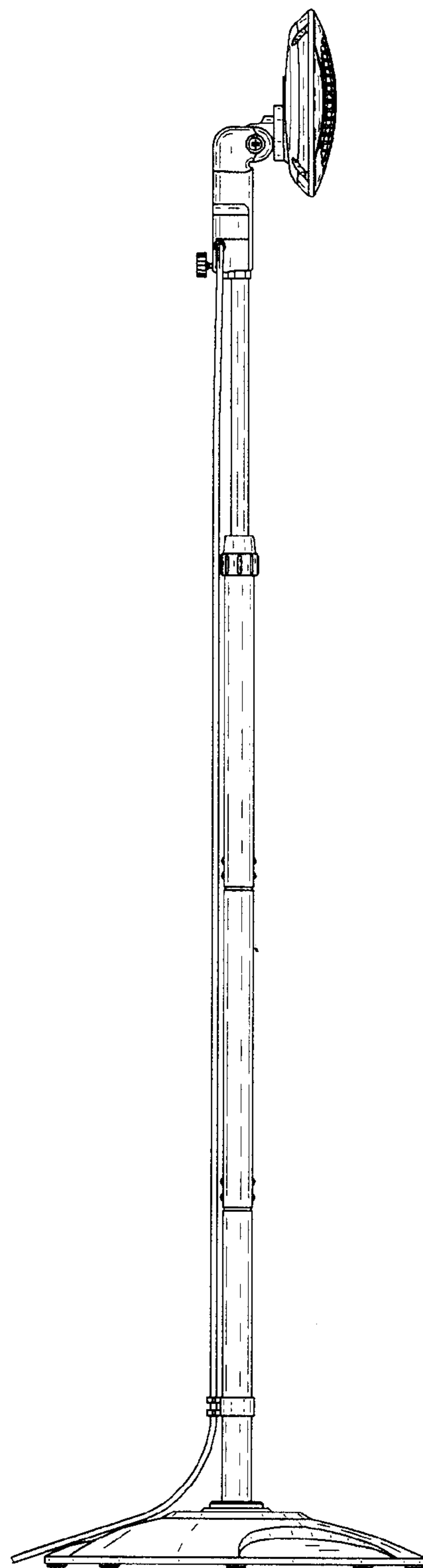


Fig.4

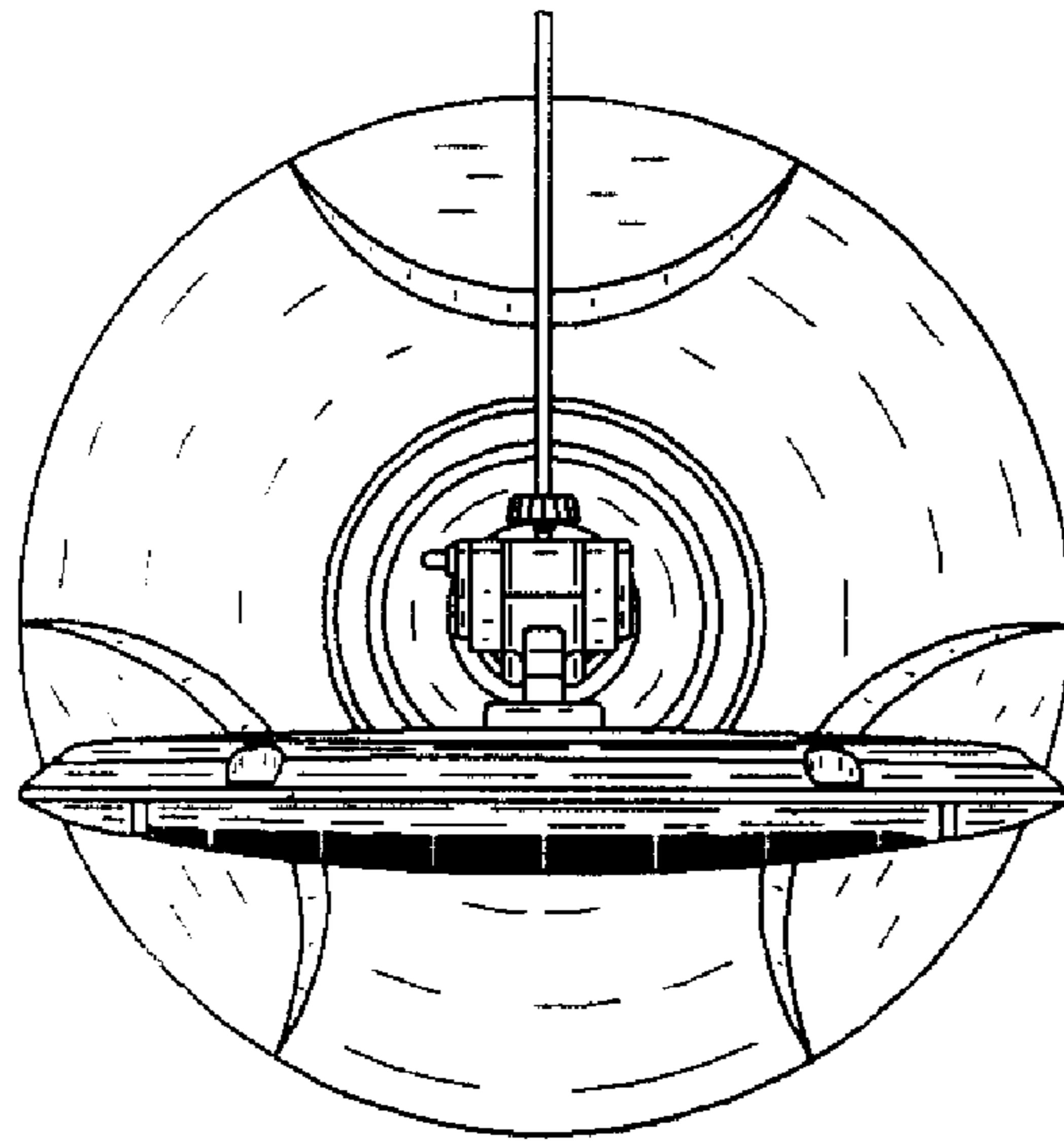


Fig.5

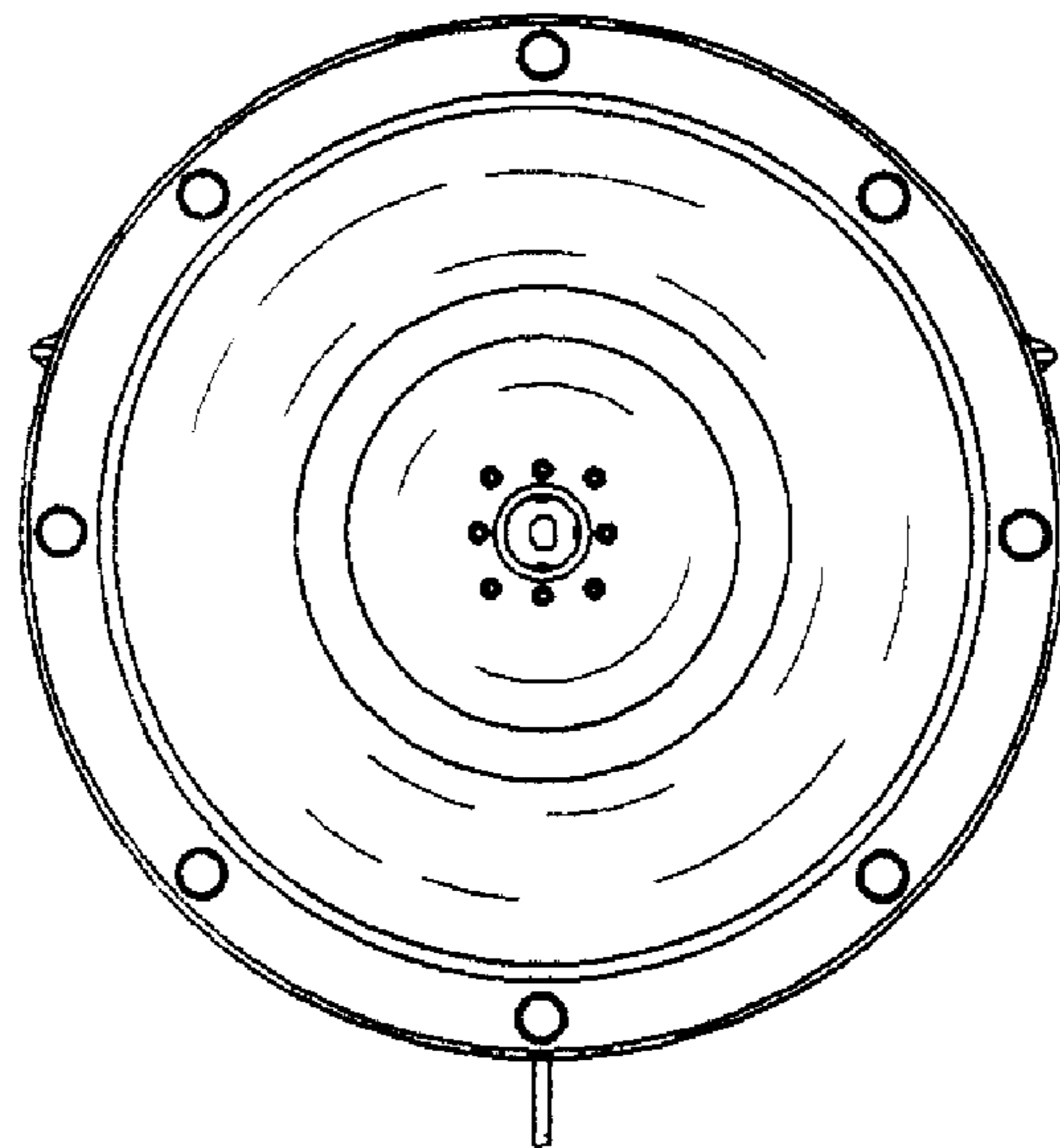


Fig.6

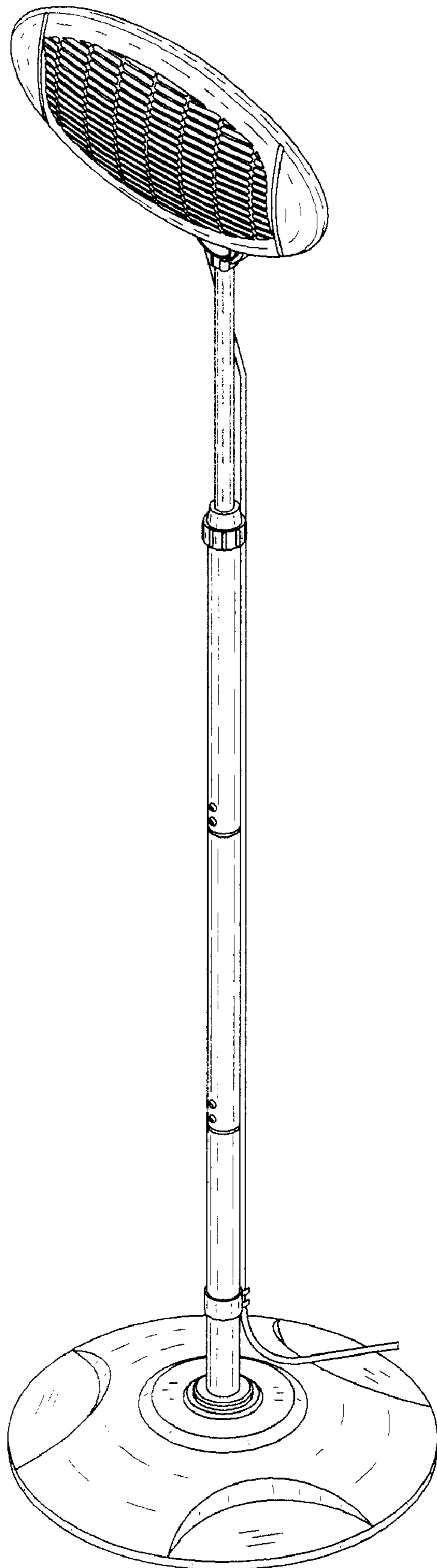


Fig.7