

US00D532495S

(12) **United States Design Patent** (10) **Patent No.:** **US D532,495 S**
Kohler, Jr. et al. (45) **Date of Patent:** **** Nov. 21, 2006**

(54) **TUB WITH APRON**

(75) Inventors: **Herbert V. Kohler, Jr.**, Kohler, WI (US); **Jeffrey A. Pipe**, Sheboygan, WI (US)

(73) Assignee: **Kohler Co.**, Kohler, WI (US)

(**) Term: **14 Years**

(21) Appl. No.: **29/218,890**

(22) Filed: **Nov. 24, 2004**

(51) **LOC (8) Cl.** **23-02**

(52) **U.S. Cl.** **D23/306**

(58) **Field of Classification Search** D23/273, D23/276-277, 280.1-280.3, 303, 306; D24/204-205; 4/538, 584
See application file for complete search history.

(56) **References Cited**

U.S. PATENT DOCUMENTS

D278,844 S	*	5/1985	Stairs, Jr.	D23/277
D318,323 S	*	7/1991	Stairs, Jr.	D23/277
D331,622 S	*	12/1992	Dannenberg	D23/277
D398,381 S	*	9/1998	Singla Palacin	D23/277
D490,144 S	*	5/2004	Lanius	D23/280.1

OTHER PUBLICATIONS

Kohler catalog p. 9.28, Baths, Proflex 6036 and Portrait 5'. American Standard catalog p. 6, Lexington and Spectra and Bildor.

Ideal-Standard catalog p. 80, Tulip GL.

* cited by examiner

Primary Examiner—Robert A. Delehanty

(74) *Attorney, Agent, or Firm*—Quarles & Brady LLP

(57) **CLAIM**

The ornamental design for a tub with apron, as shown and described.

DESCRIPTION

In a preferred embodiment, the nature of this product is as a tub with apron in the form of a bathing tub, primary useful for washing the human body, and/or an apron structure therefor.

FIG. 1 is a left, top, front perspective view of a tub with apron according to our new design in the form of an apron; FIG. 2 is a top plan view thereof; FIG. 3 is a left side elevation view thereof; FIG. 4 is a right side elevation view thereof; FIG. 5 is a rear elevation view thereof; FIG. 6 is a bottom plan view thereof; and, FIG. 7 is a front elevation view thereof.

The broken line showing of portions of the tub are for illustrative purposes and form no part of the claimed design.

1 Claim, 4 Drawing Sheets

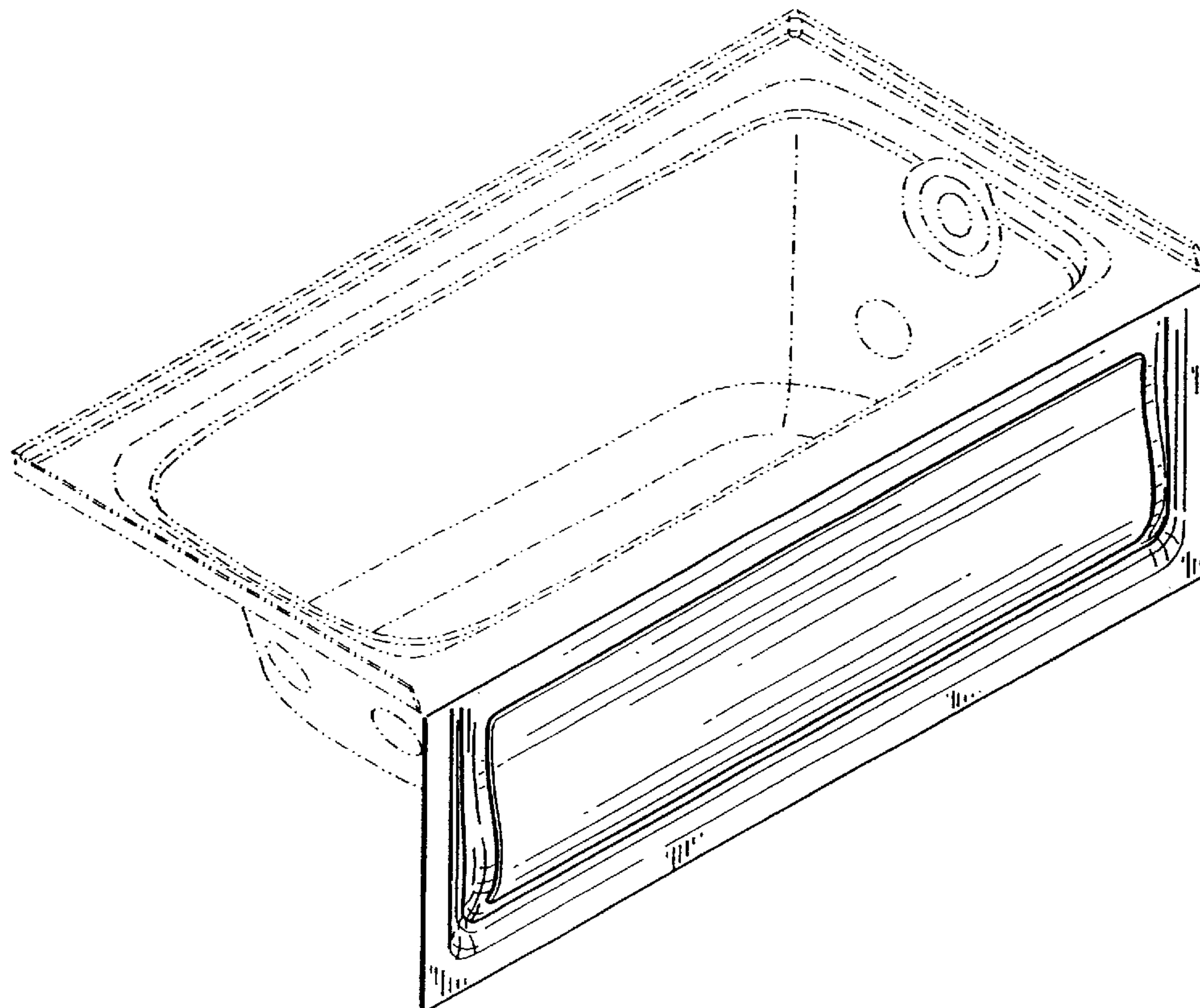


FIG. 1

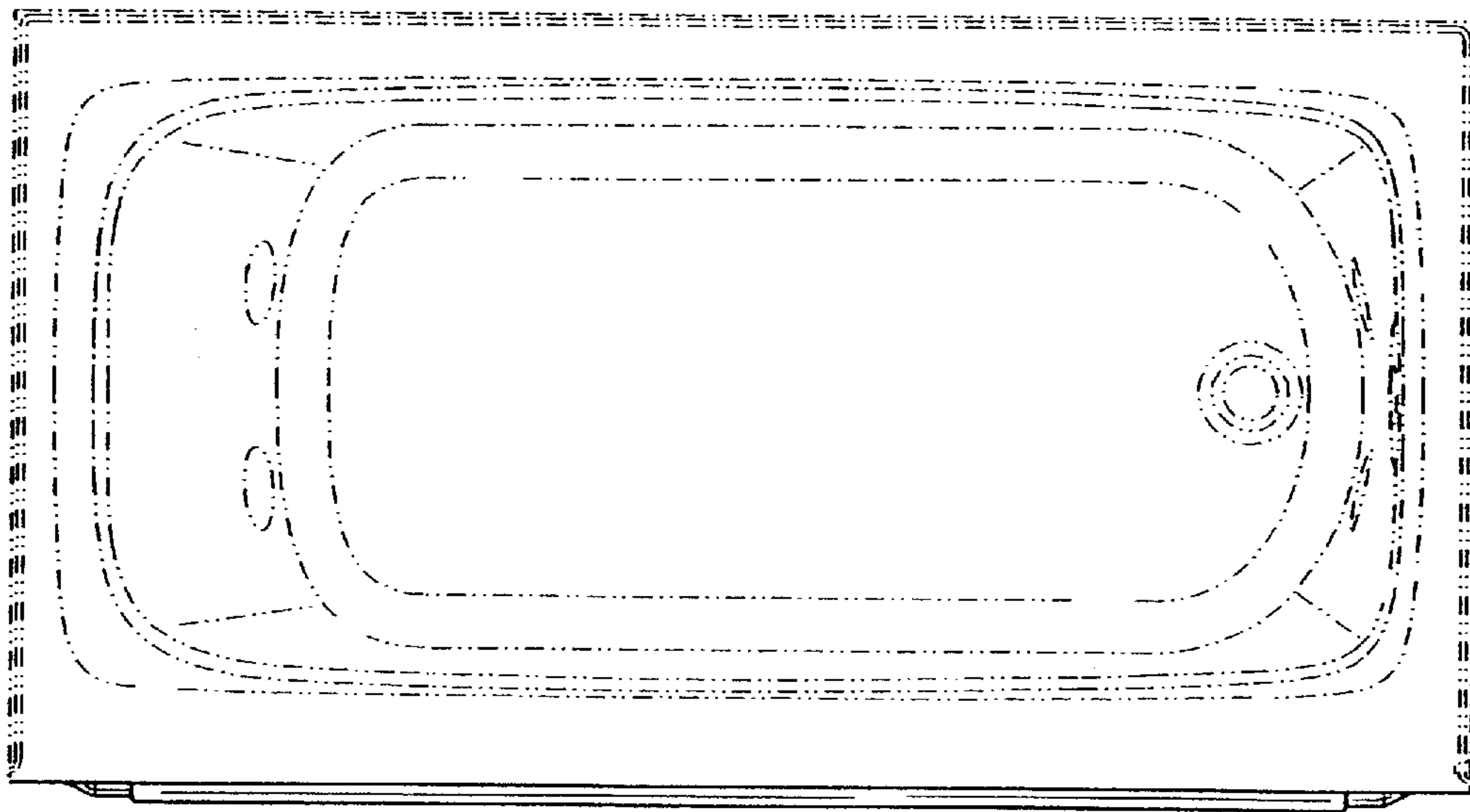
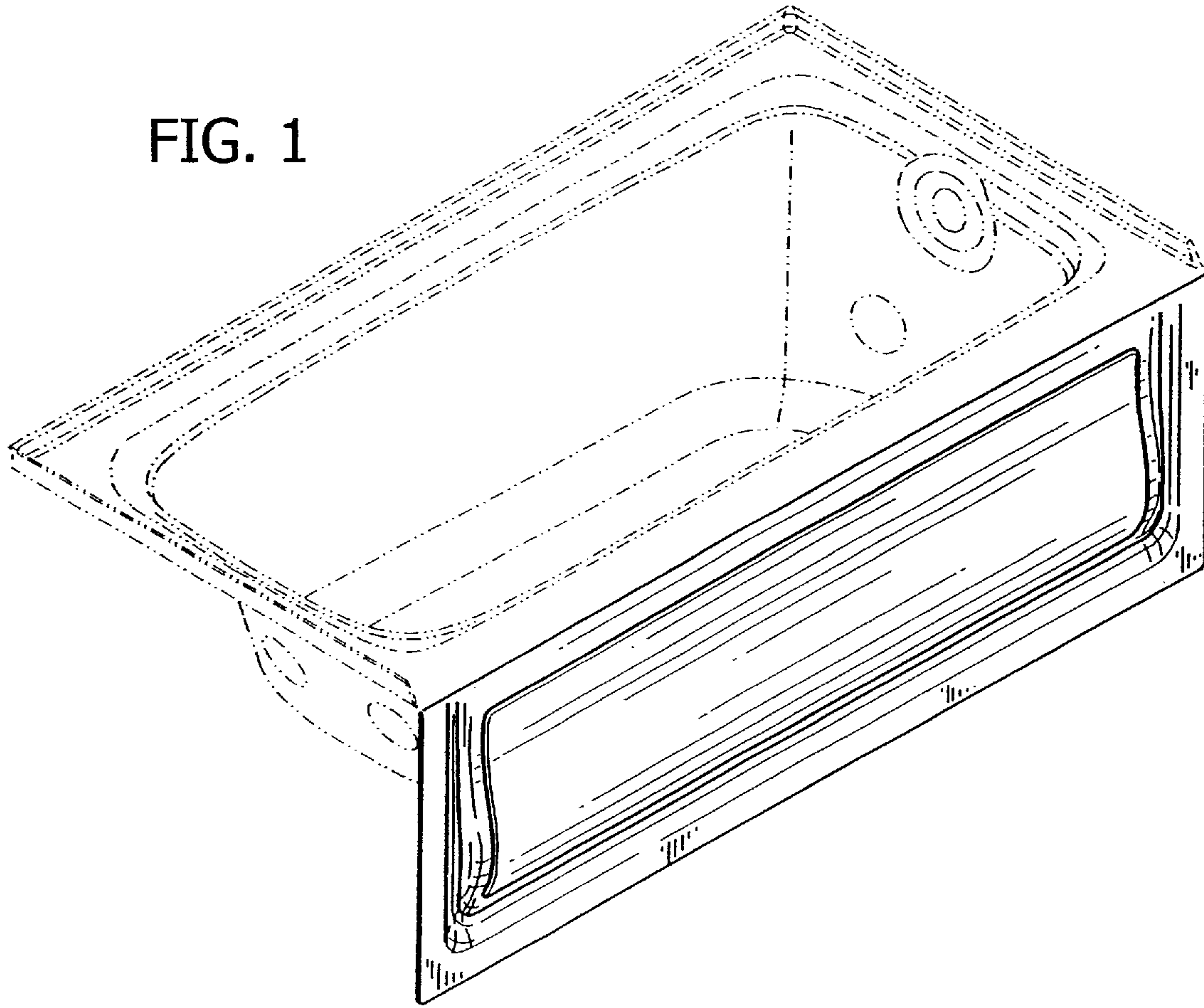


FIG. 2

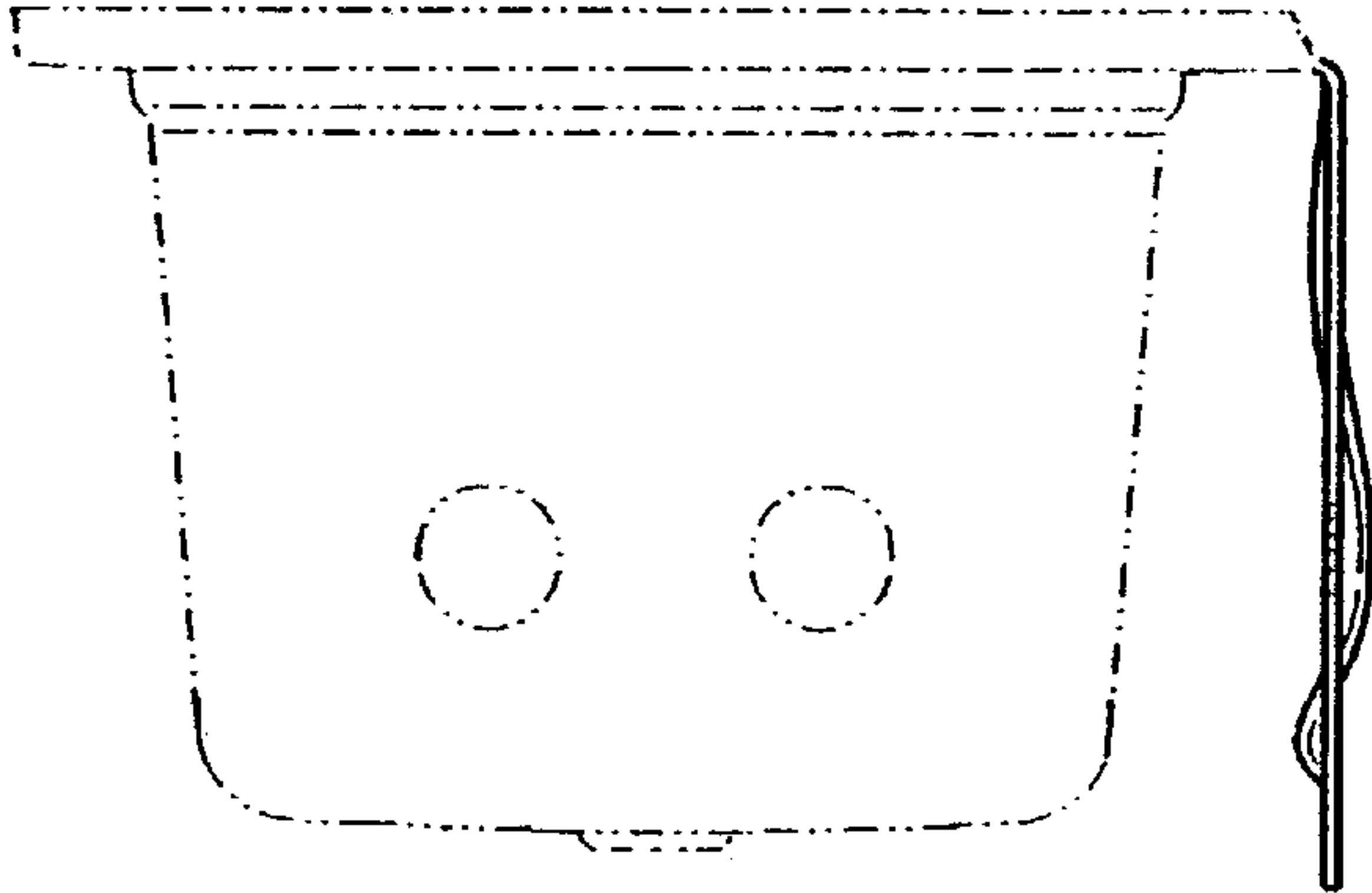


FIG. 3

FIG. 4

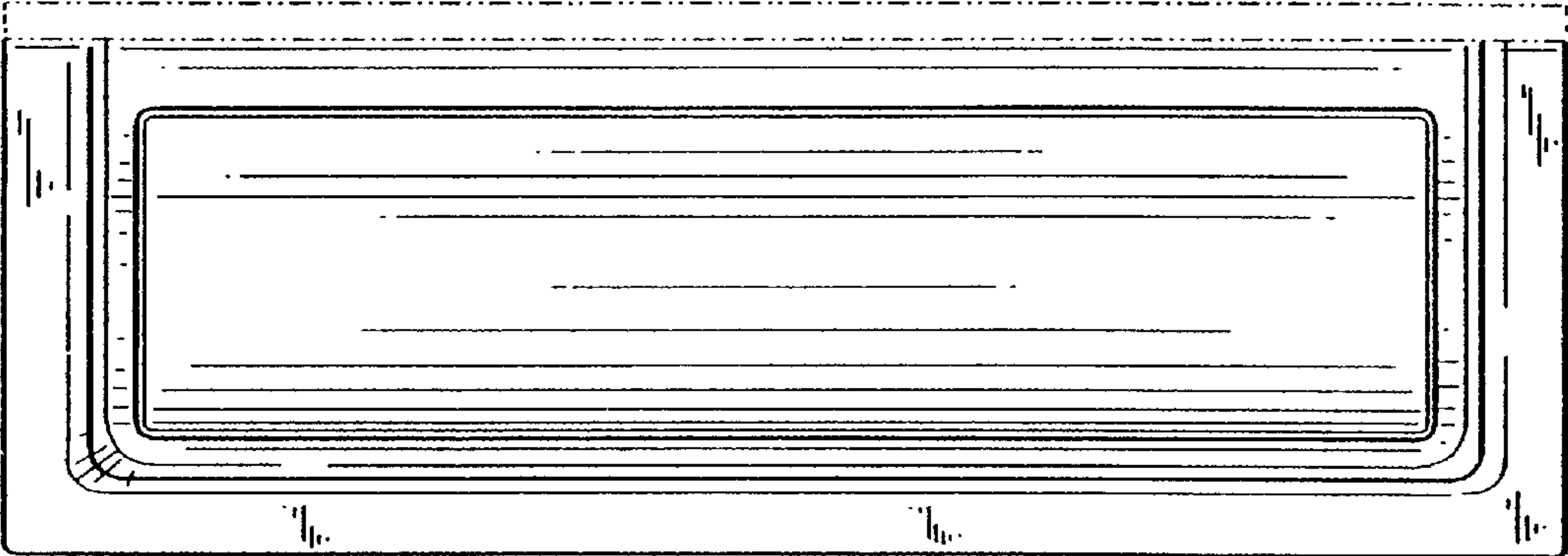
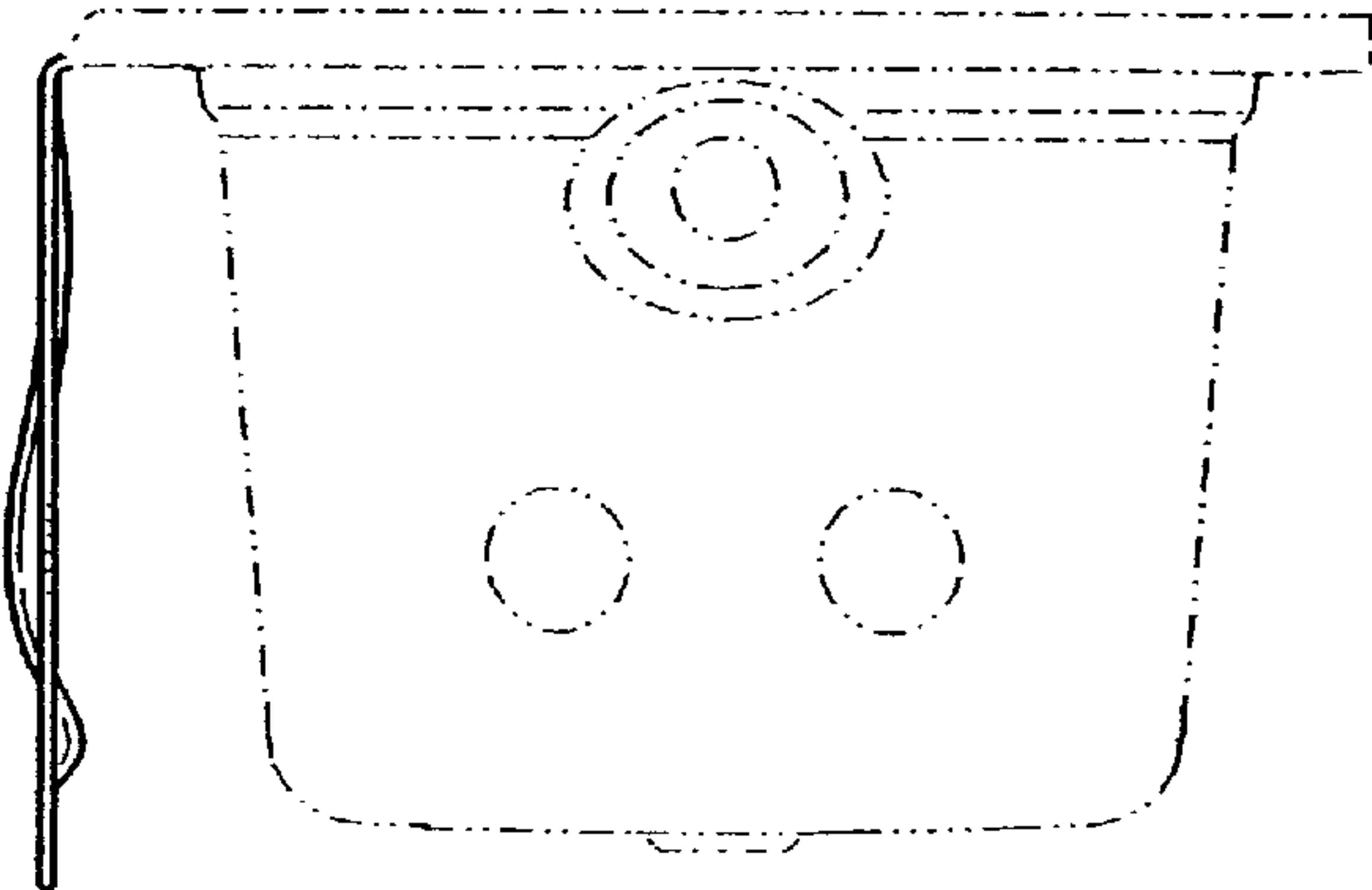


FIG. 5

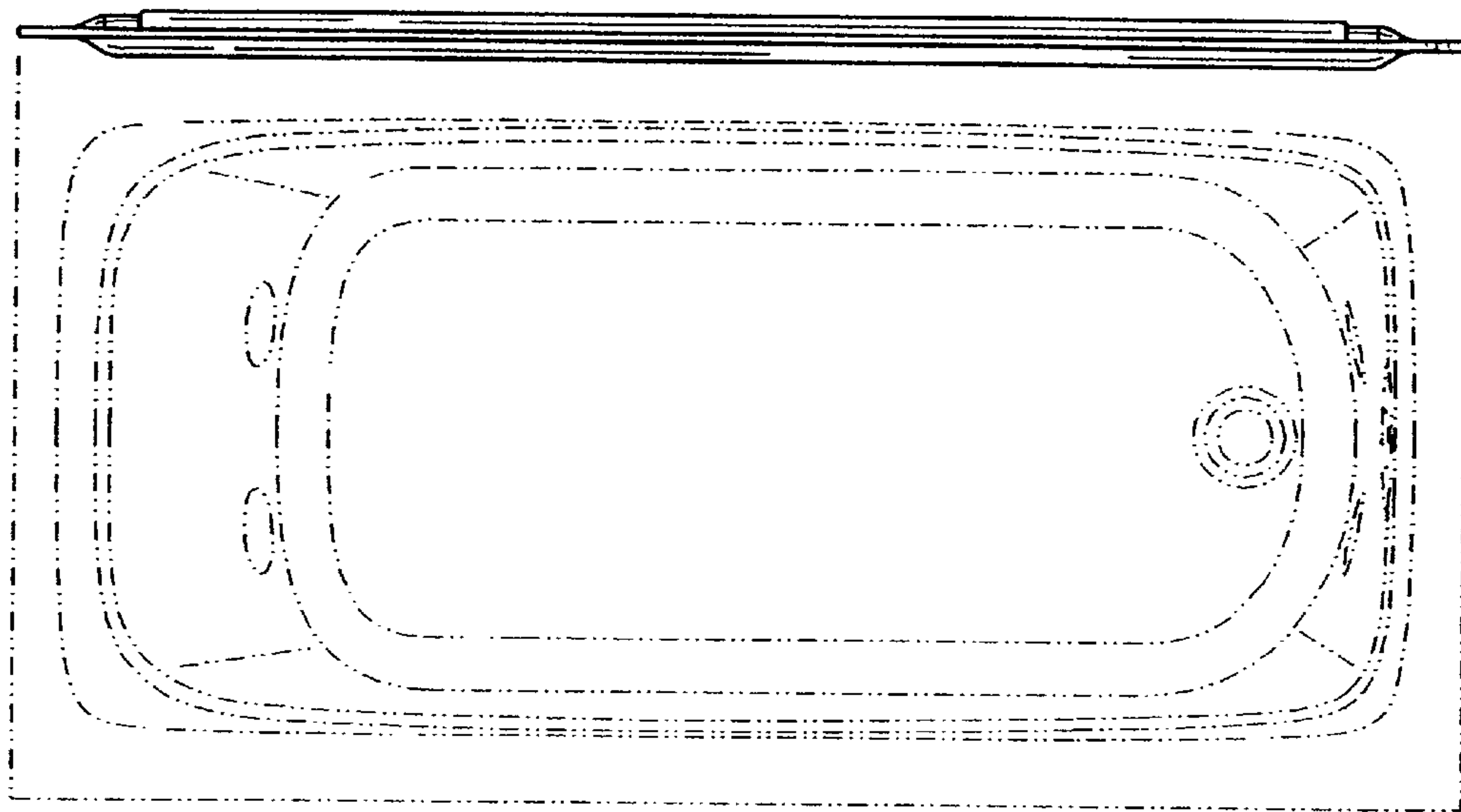


FIG. 6

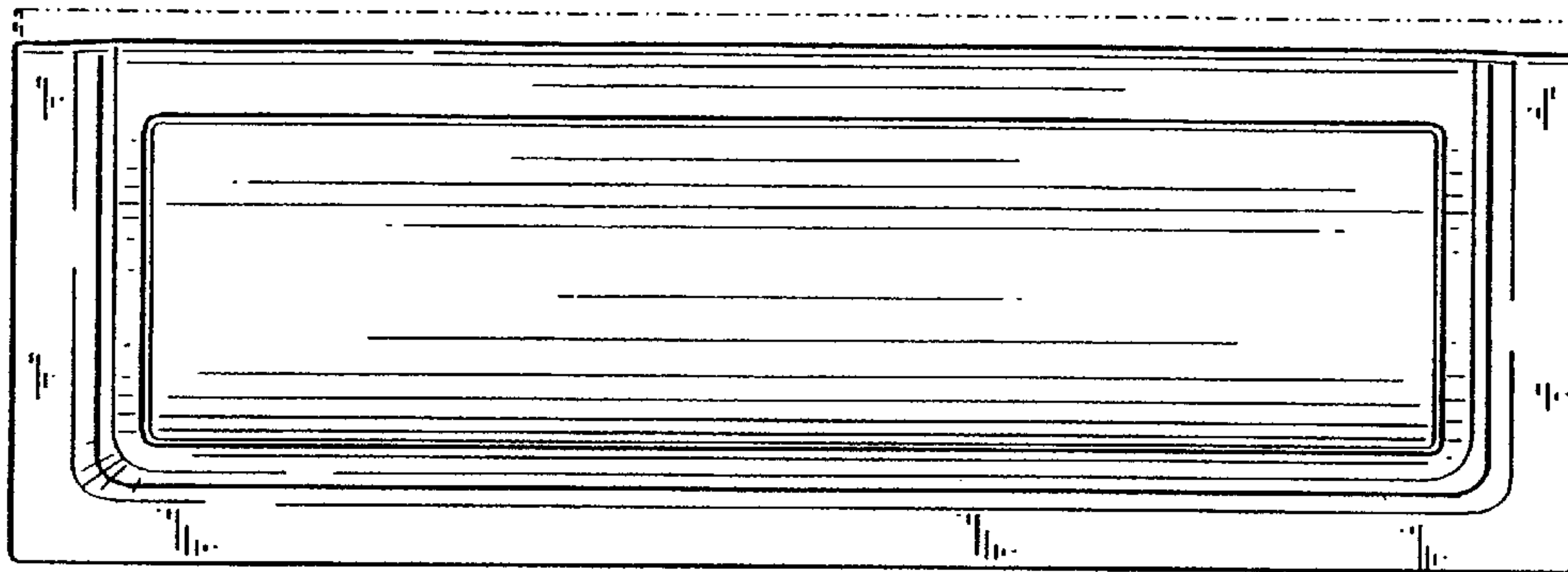


FIG. 7