



US00D532494S

(12) **United States Design Patent**  
**Mukai**

(10) **Patent No.:** **US D532,494 S**

(45) **Date of Patent:** **\*\* Nov. 21, 2006**

(54) **WATER CLOSET**

(75) **Inventor:** **Yoshitaka Mukai**, Kitakyushu (JP)

(73) **Assignee:** **Toto Ltd**, Kitakyushu (JP)

(\*\*) **Term:** **14 Years**

(21) **Appl. No.:** **29/257,010**

(22) **Filed:** **Mar. 29, 2006**

(51) **LOC (8) Cl.** ..... **23-02**

(52) **U.S. Cl.** ..... **D23/301**

(58) **Field of Classification Search** ..... D23/273-274,  
D23/295-301, 303, 309, 313; 4/663-665,  
4/300-300.3, 312-313, 328-329, 353, 420,  
4/443-446, 449, 459-460, 479-480, 902,  
4/905, DIG. 11, DIG. 12, DIG. 15

See application file for complete search history.

(56) **References Cited**

**U.S. PATENT DOCUMENTS**

D101,441 S \* 10/1936 Dreyfuss ..... D23/301

D116,810 S \* 9/1939 Uphues ..... D23/301  
3,995,327 A \* 12/1976 Hendrick ..... 4/363  
D520,614 S \* 5/2006 Tani ..... D23/301

\* cited by examiner

*Primary Examiner*—Robert A. Delehanty

(74) *Attorney, Agent, or Firm*—Birch, Stewart, Kolasch & Birch, LLP

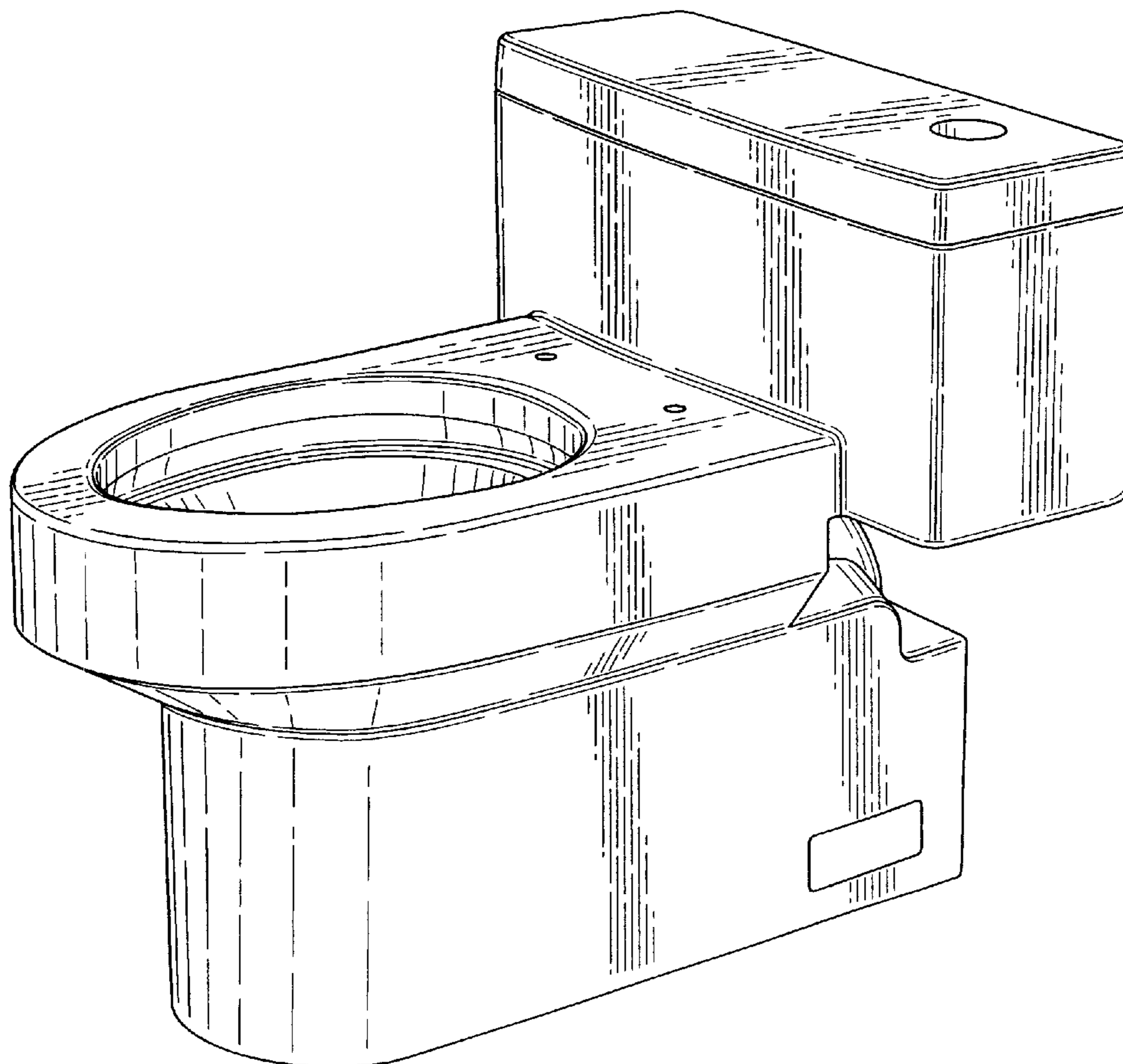
(57) **CLAIM**

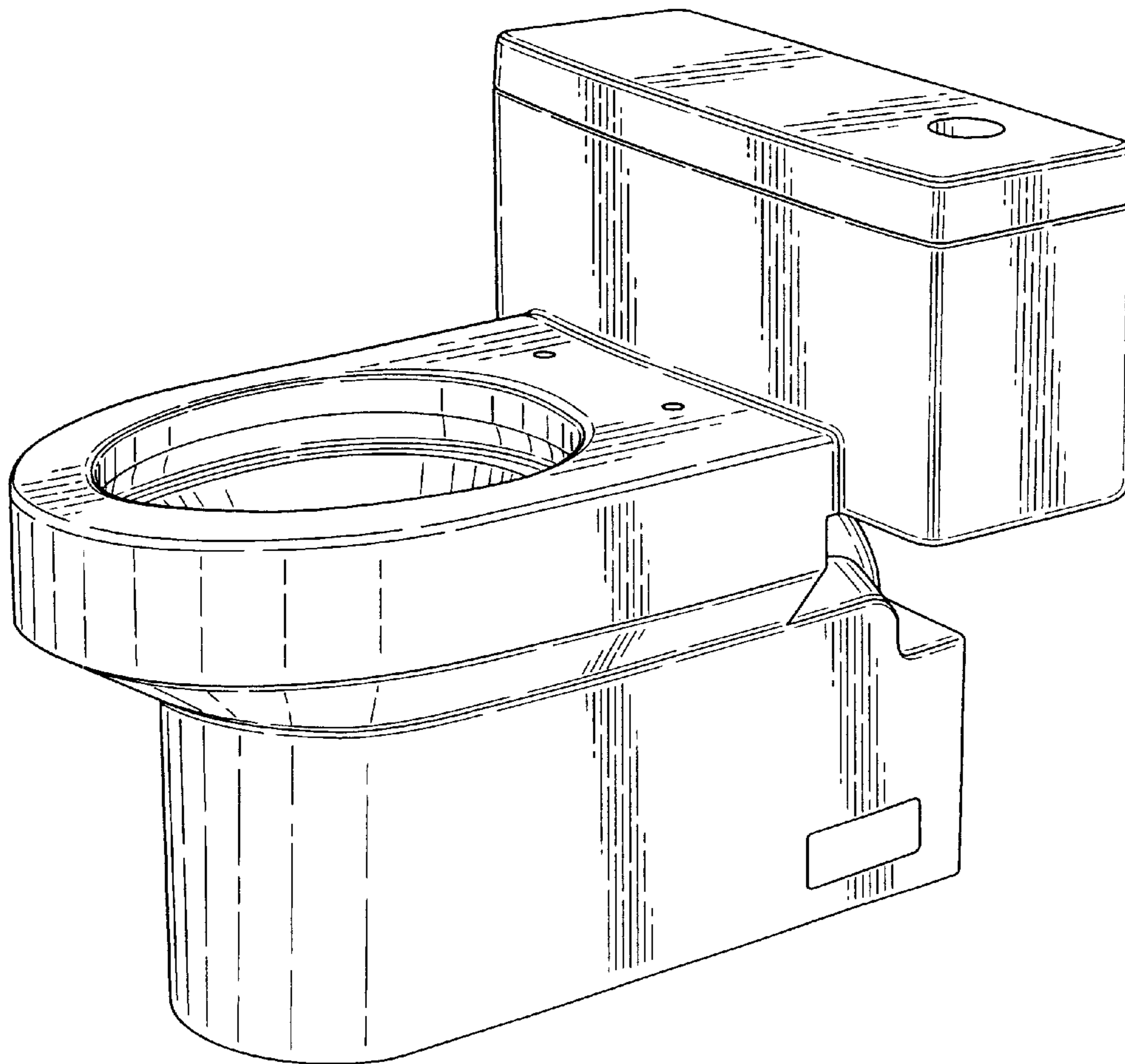
The ornamental design for a water closet, as shown and described.

**DESCRIPTION**

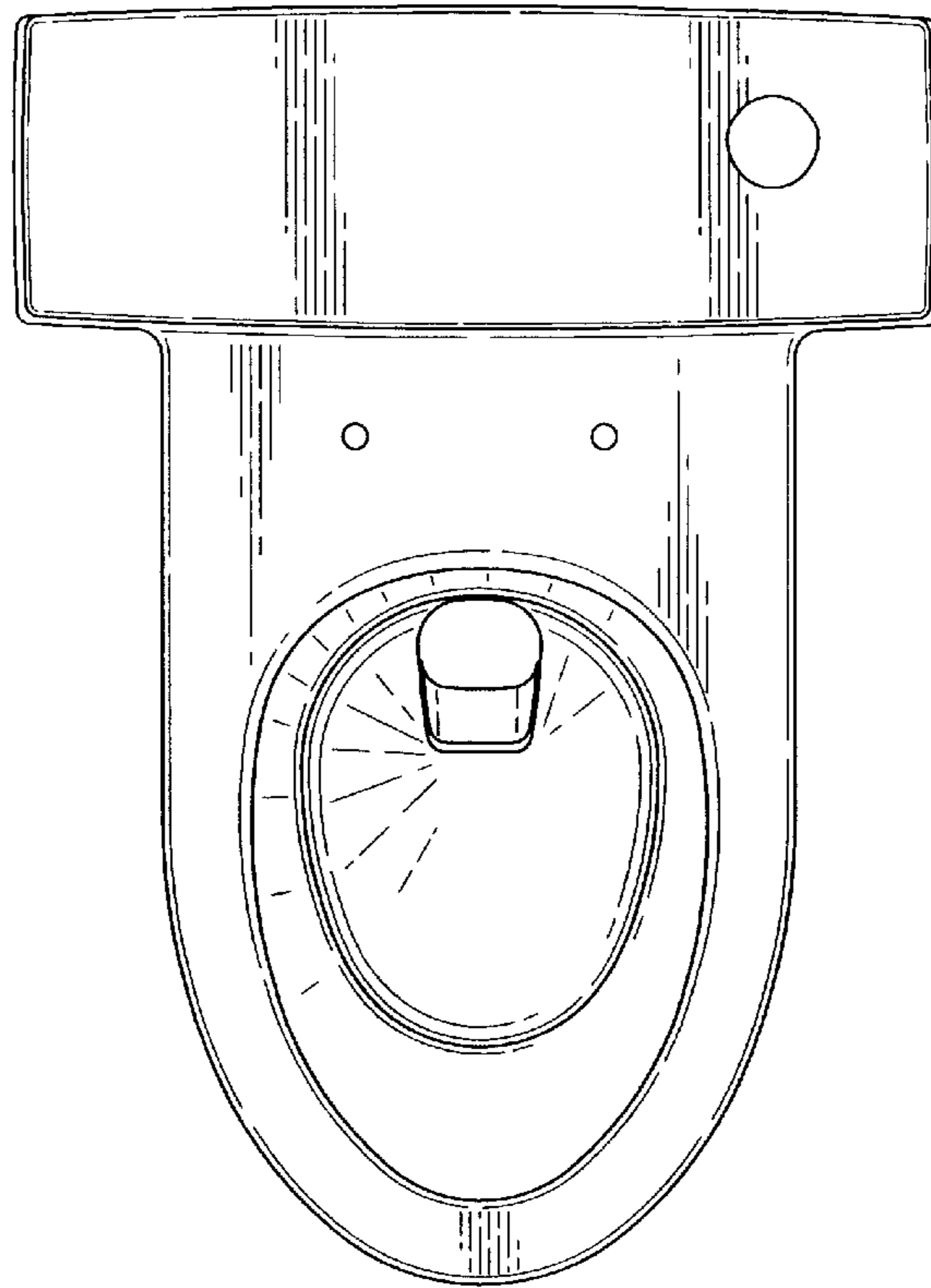
FIG. 1 is a perspective view of the top, front and right side of a water closet showing my new design;  
FIG. 2 is a top plan view thereof;  
FIG. 3 is a front view thereof;  
FIG. 4 is a left side view thereof;  
FIG. 5 is a right side view thereof;  
FIG. 6 is a rear view thereof; and,  
FIG. 7 is a bottom view thereof.

**1 Claim, 4 Drawing Sheets**

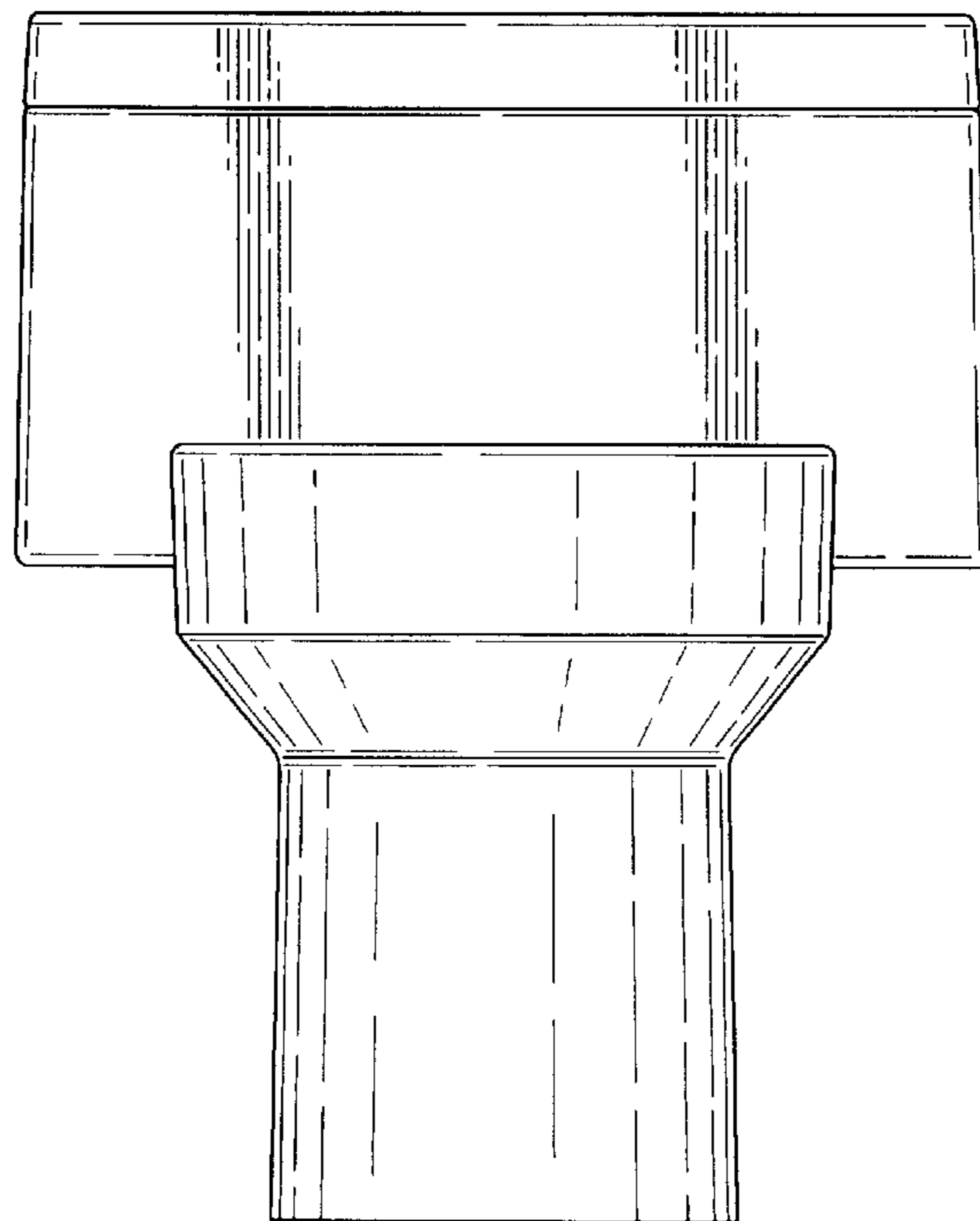




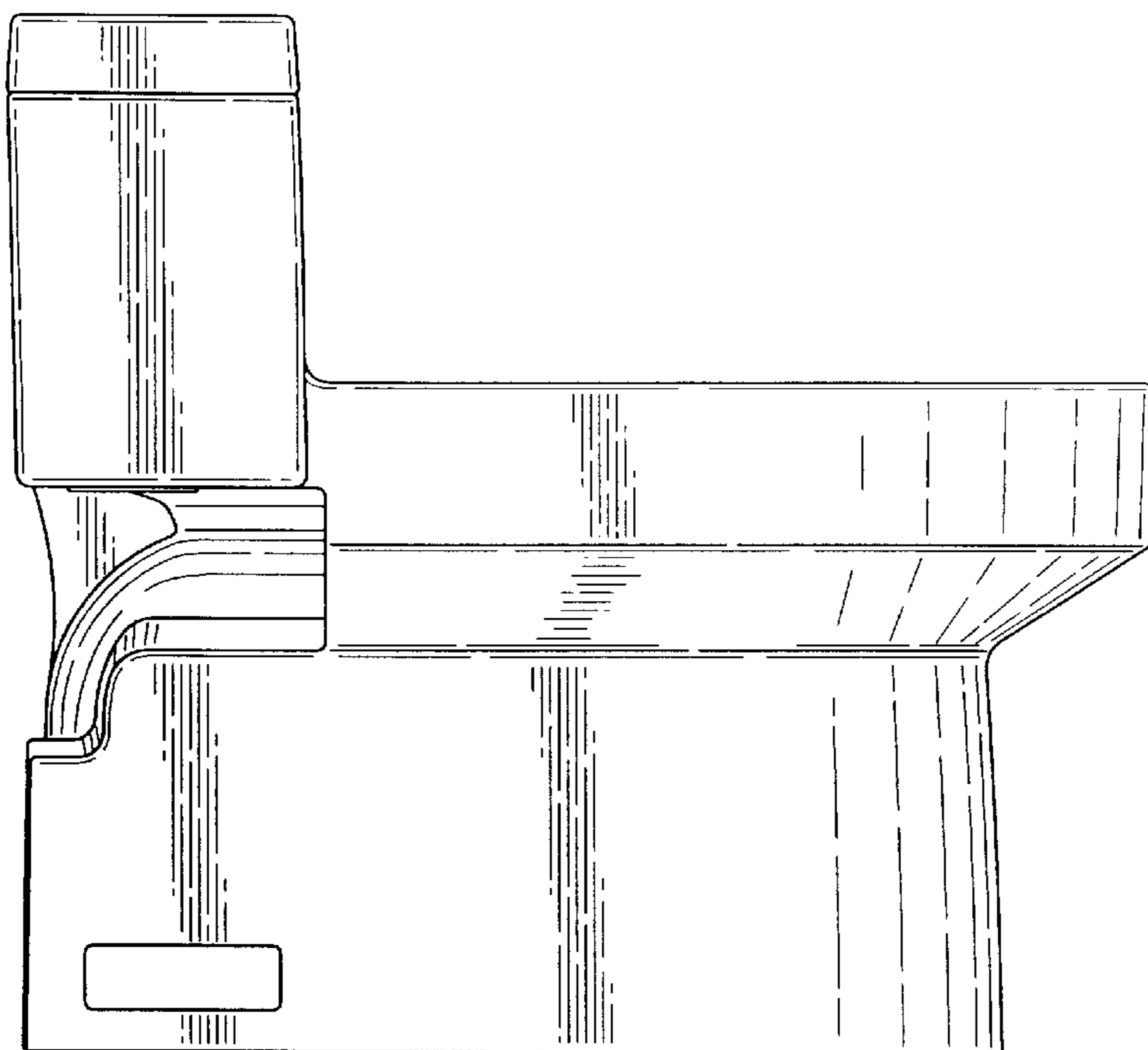
*FIG. 1*



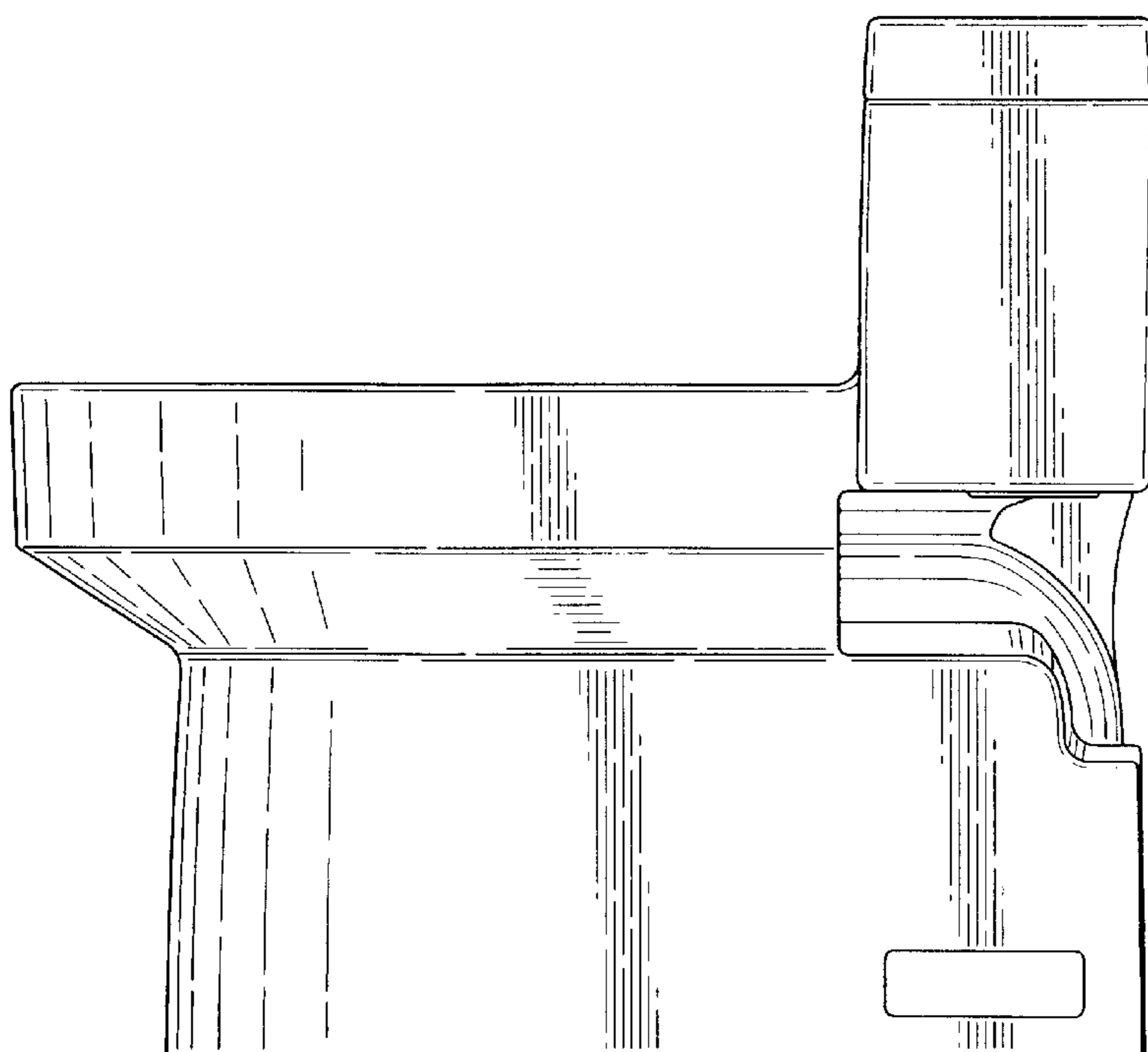
*FIG. 2*



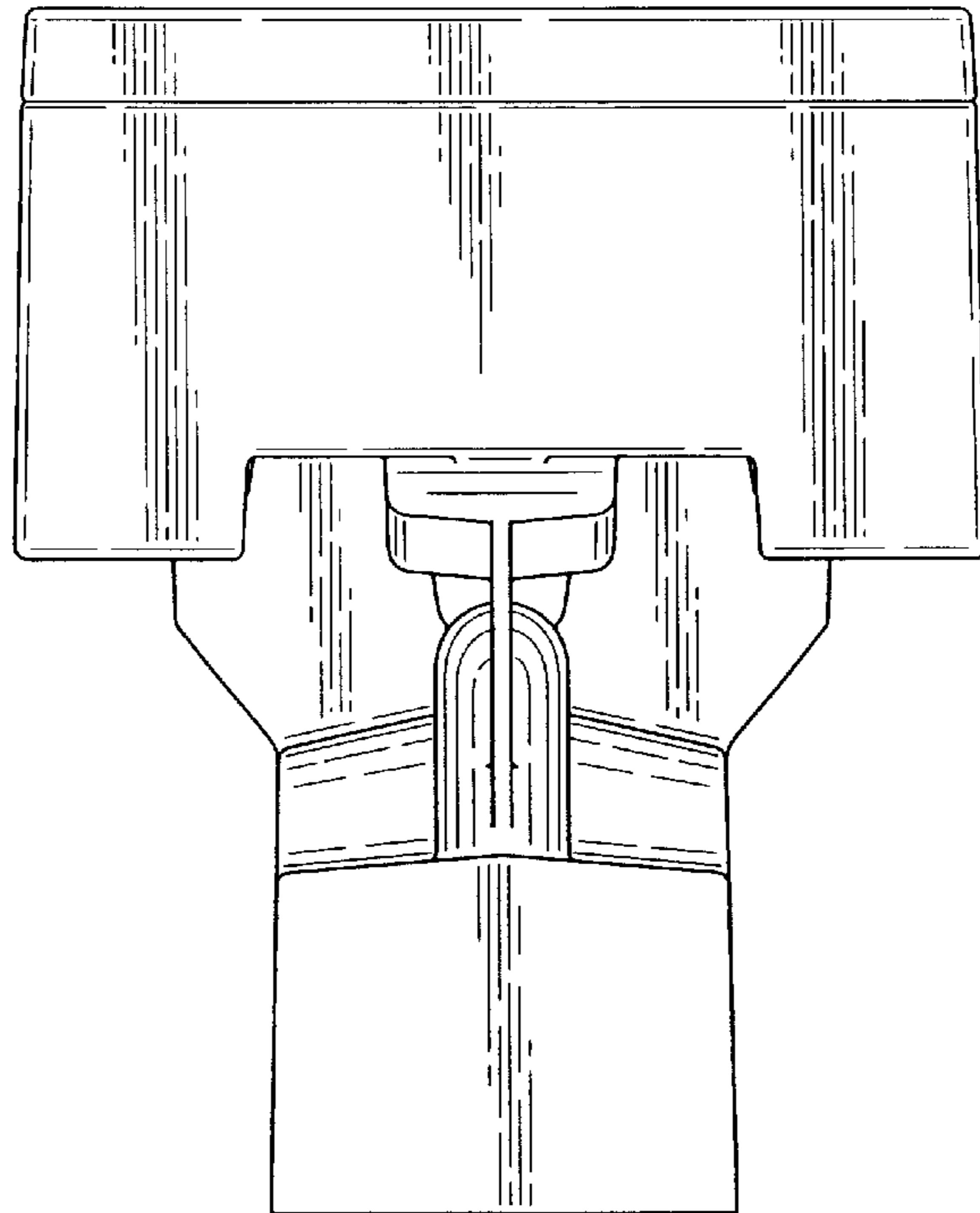
*FIG. 3*



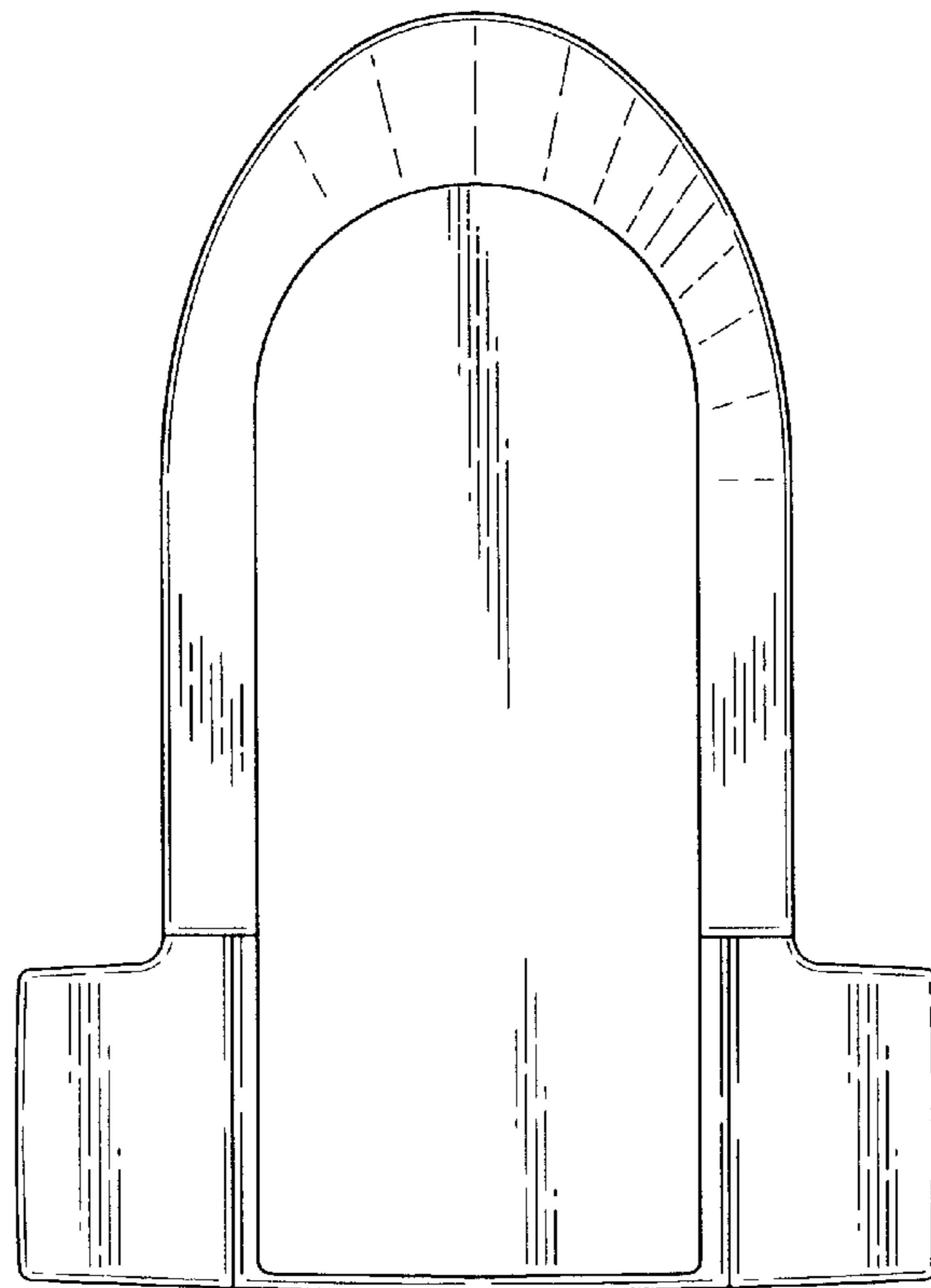
*FIG. 4*



*FIG. 5*



*FIG. 6*



*FIG. 7*