



US00D532493S

(12) **United States Design Patent**
Bucher

(10) **Patent No.:** **US D532,493 S**

(45) **Date of Patent:** **** Nov. 21, 2006**

(54) **TOILET**

(75) **Inventor:** **Christophe Bucher**, Hillsborough, NJ
(US)

(73) **Assignee:** **American Standard International
Inc.**, New York, NY (US)

(**) **Term:** **14 Years**

(21) **Appl. No.:** **29/245,454**

(22) **Filed:** **Dec. 22, 2005**

(51) **LOC (8) Cl.** **23-02**

(52) **U.S. Cl.** **D23/301**

(58) **Field of Classification Search** D23/273-274,
D23/295-301, 303, 309, 313; 4/663-665,
4/300-300.3, 312-313, 328-329, 353, 420,
4/443-446, 449, 459-460, 479-480, 902,
4/905, DIG. 11, DIG. 12, DIG. 15
See application file for complete search history.

(56) **References Cited**

U.S. PATENT DOCUMENTS

D407,150 S * 3/1999 Sim D23/301

D409,734 S * 5/1999 Sim D23/301
D472,310 S * 3/2003 Kawamura D23/301
D507,335 S * 7/2005 Gordon D23/295
D514,208 S * 1/2006 Gordon D23/301

* cited by examiner

Primary Examiner—Robert A. Delehanty

(57) **CLAIM**

The ornamental design for a toilet, as shown and described.

DESCRIPTION

FIG. 1 is a perspective view of a toilet showing my new design;

FIG. 2 is a top plan view thereof;

FIG. 3 is a front elevational view thereof;

FIG. 4 is a left side elevational view thereof;

FIG. 5 is a right side elevational view thereof;

FIG. 6 is a rear elevational view thereof; and,

FIG. 7 is a bottom plan view.

The broken line showing of a handle and plumbing features is for illustrative purposes only and forms no part of the claimed design.

1 Claim, 7 Drawing Sheets

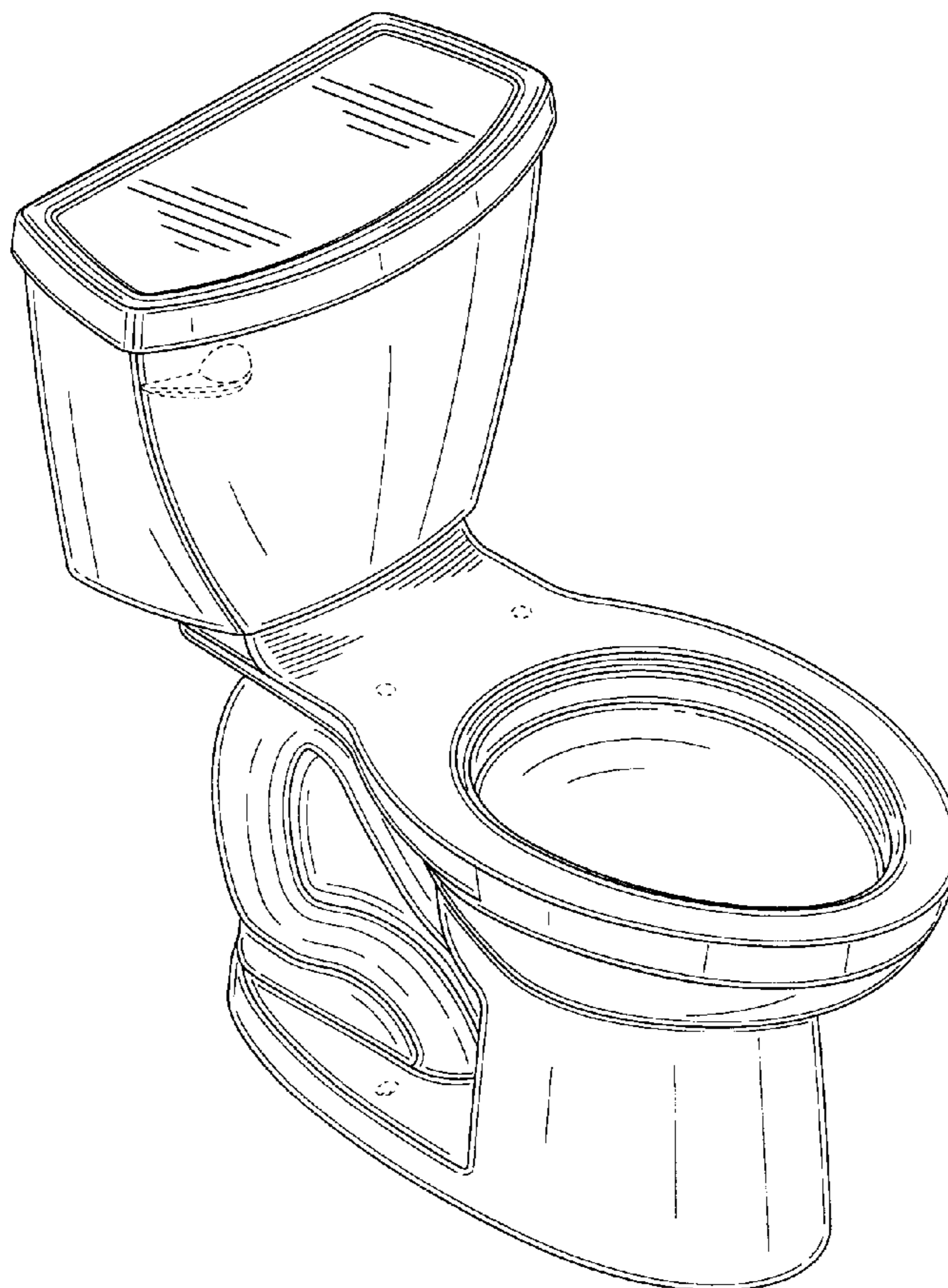


FIG. 1



FIG. 2

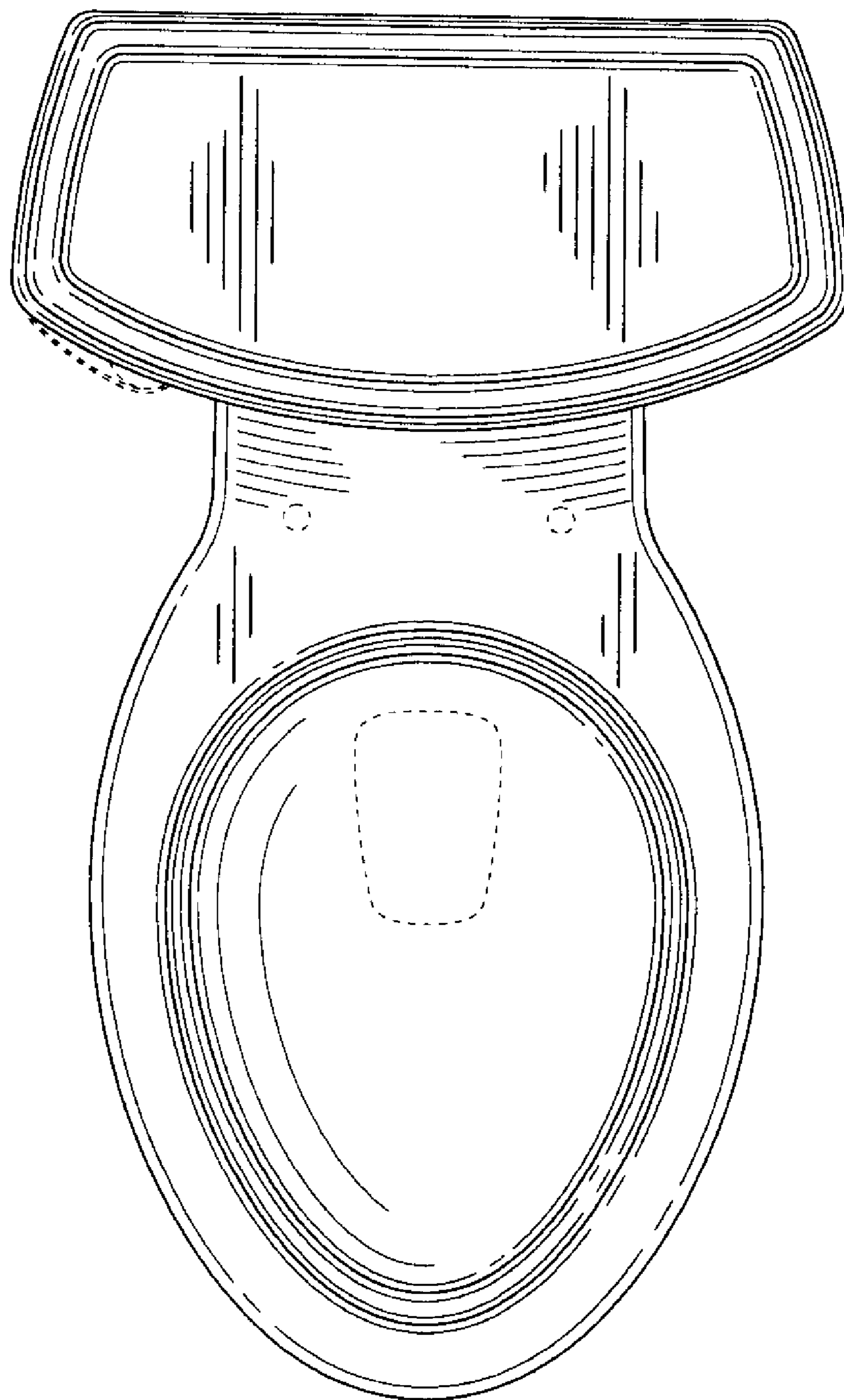


FIG. 3

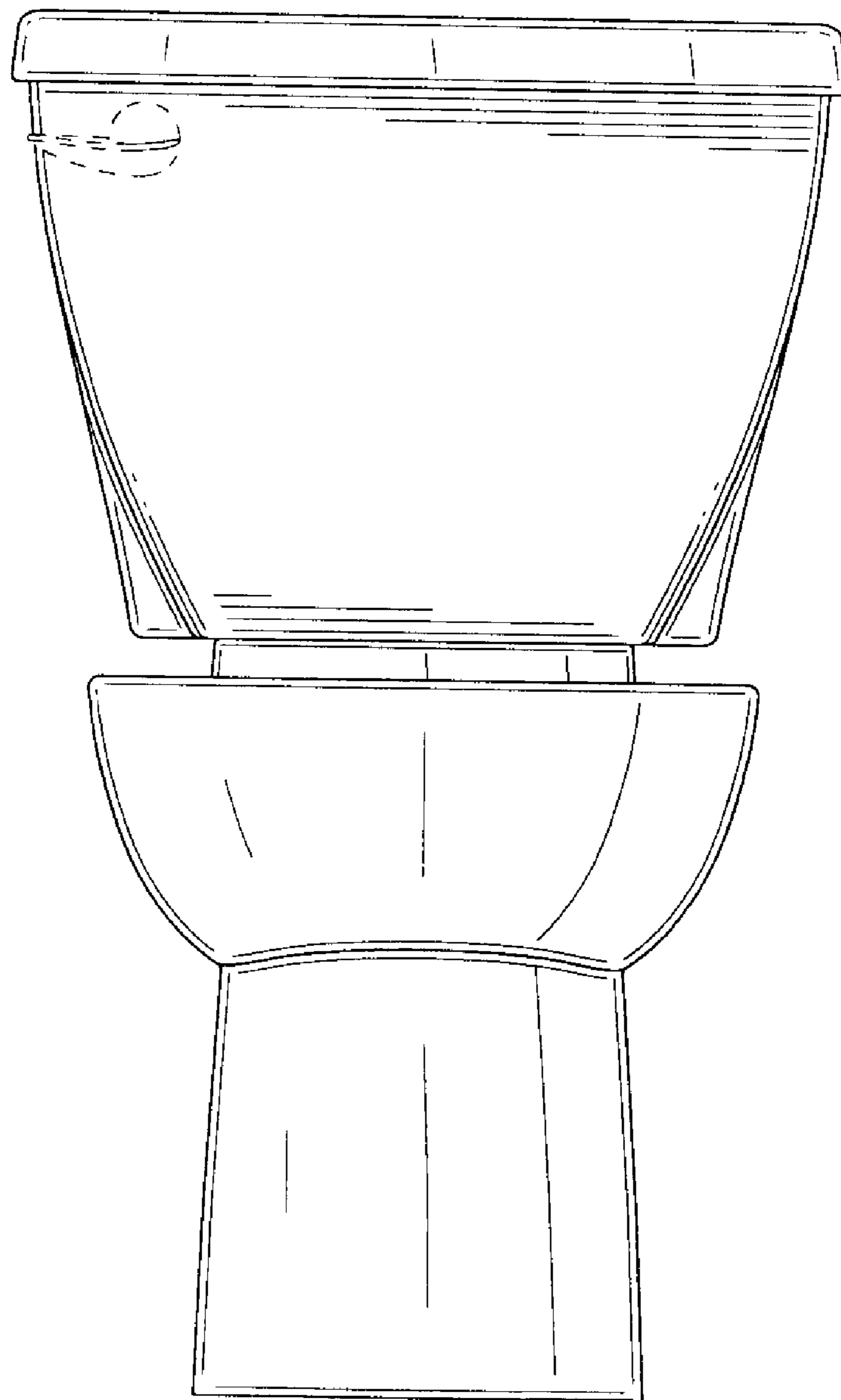


FIG. 4

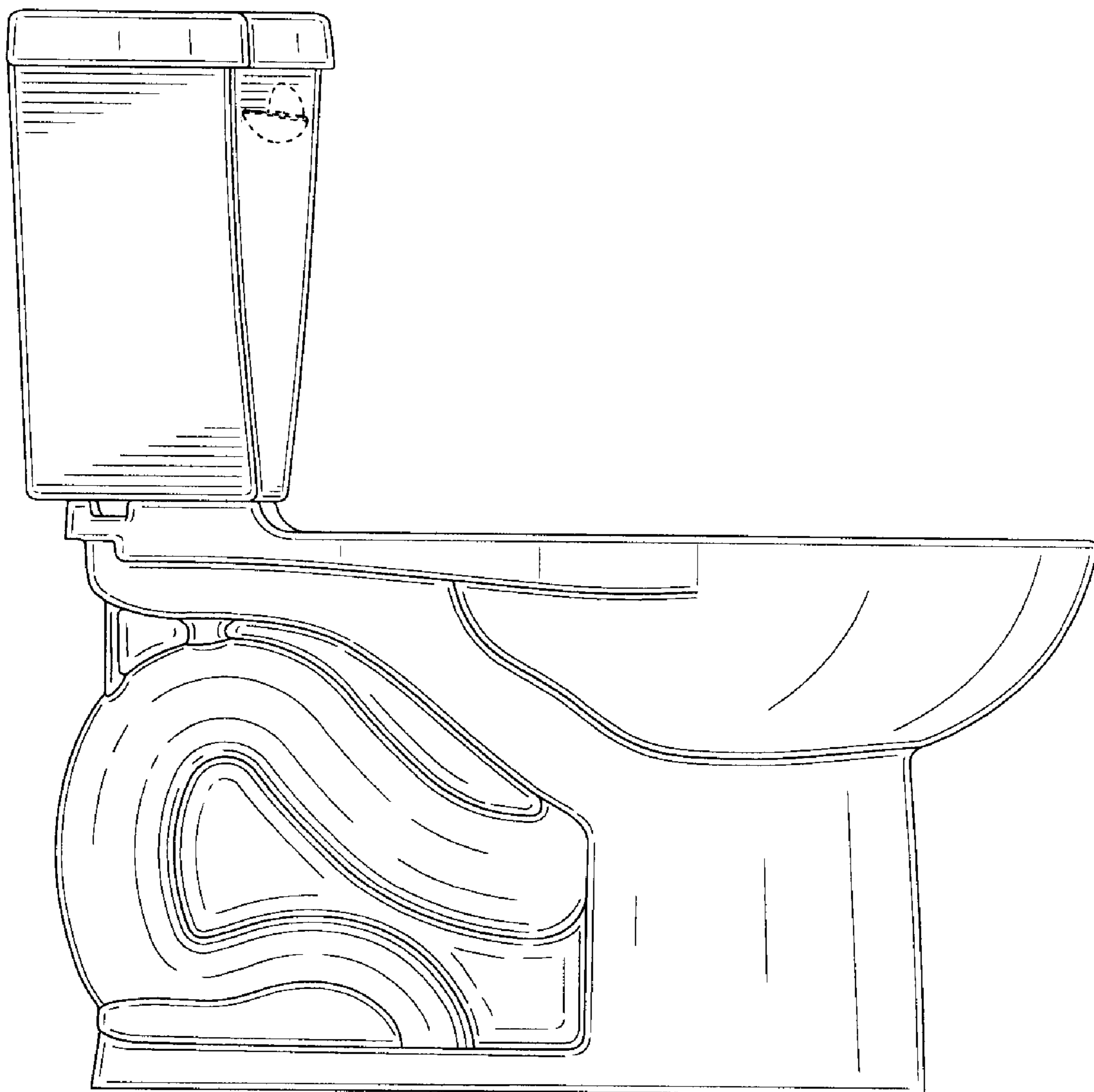


FIG. 5

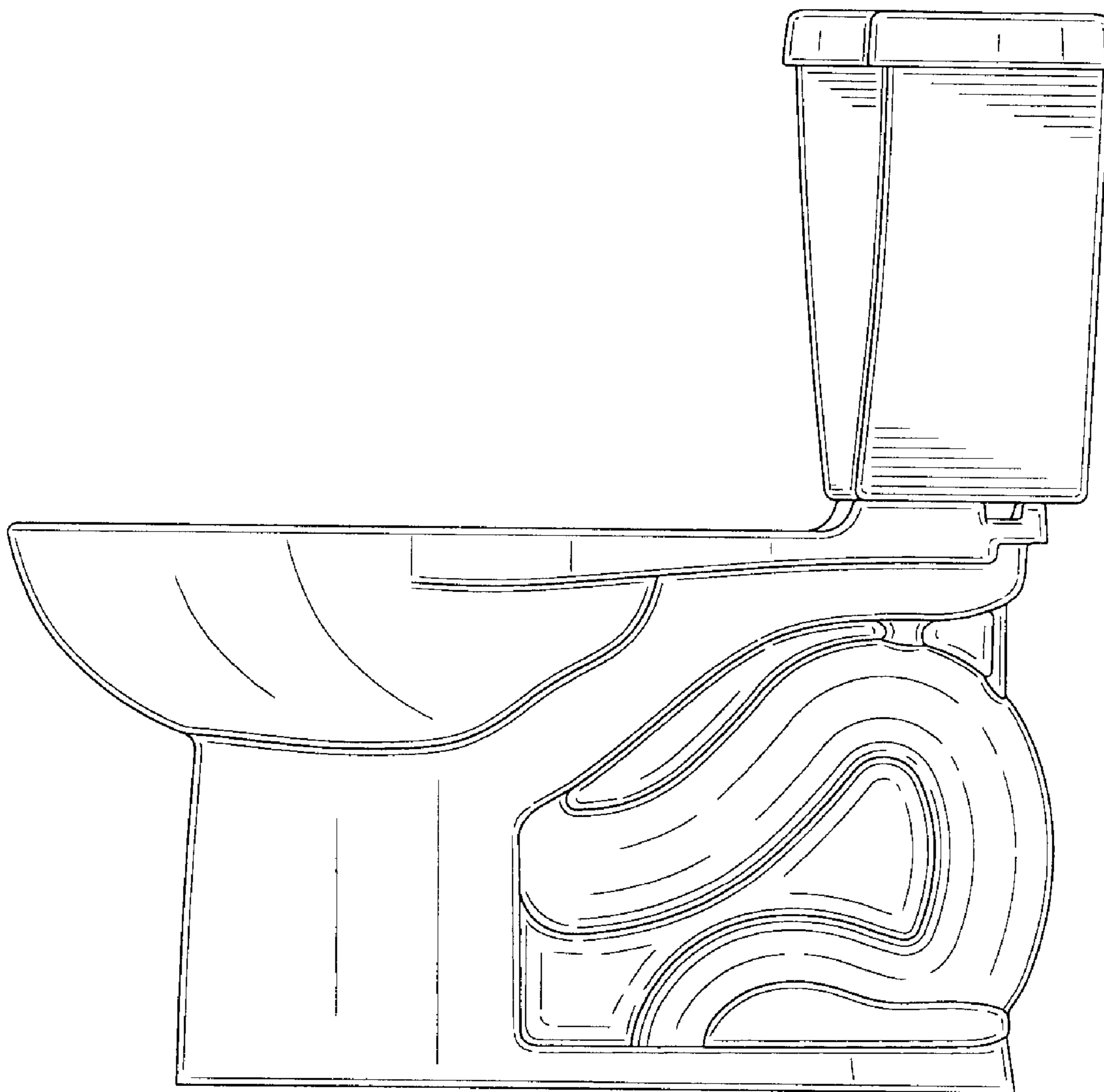


FIG. 6

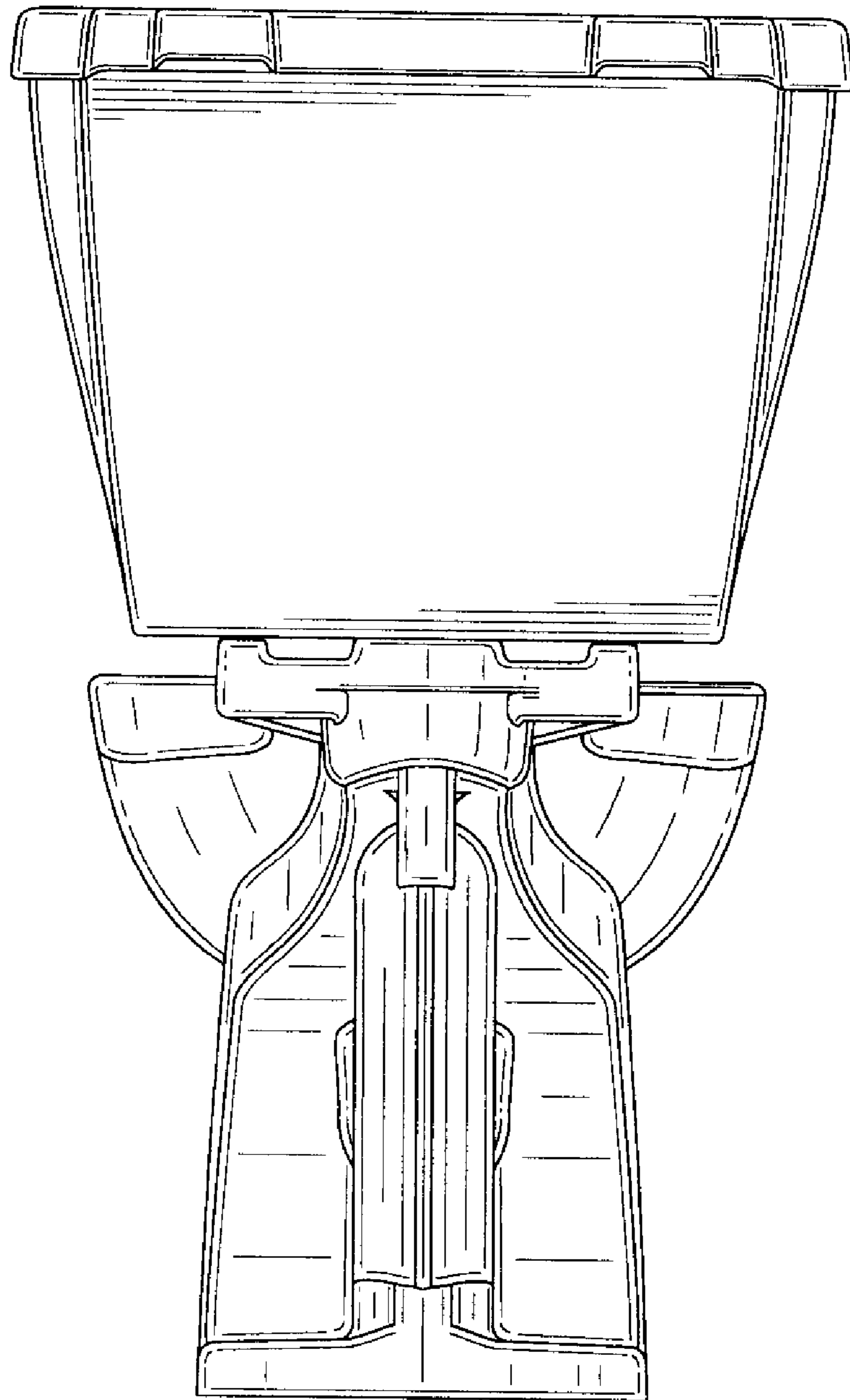


FIG. 7

