



US00D532492S

(12) **United States Design Patent**
Giese

(10) **Patent No.:** **US D532,492 S**

(45) **Date of Patent:** **** Nov. 21, 2006**

(54) **PORTABLE TOILET**

5,513,395 A 5/1996 Chlebek et al.
5,615,420 A 4/1997 Guyton

(75) Inventor: **Robert Dale Giese**, Kenosha, WI (US)

FOREIGN PATENT DOCUMENTS

(73) Assignee: **Dometic Sanitation Corporation**, Big Prairie, OH (US)

GB 324437 1/1930

(**) Term: **14 Years**

* cited by examiner

Primary Examiner—Robert A. Delehanty

(21) Appl. No.: **29/245,226**

(74) *Attorney, Agent, or Firm*—Pearne & Gordon LLP

(22) Filed: **Dec. 20, 2005**

(57) **CLAIM**

(51) **LOC (8) Cl.** **23-02**

The ornamental design for a portable toilet, as shown and described.

(52) **U.S. Cl.** **D23/299**

(58) **Field of Classification Search** D23/273–274,
D23/295–301, 303, 309, 313; 4/663–665,
4/300–300.3, 312–313, 328–329, 353, 420,
4/443–446, 449, 459–460, 479–480, 902,
4/905, DIG. 11, DIG. 12, DIG. 15
See application file for complete search history.

DESCRIPTION

(56) **References Cited**

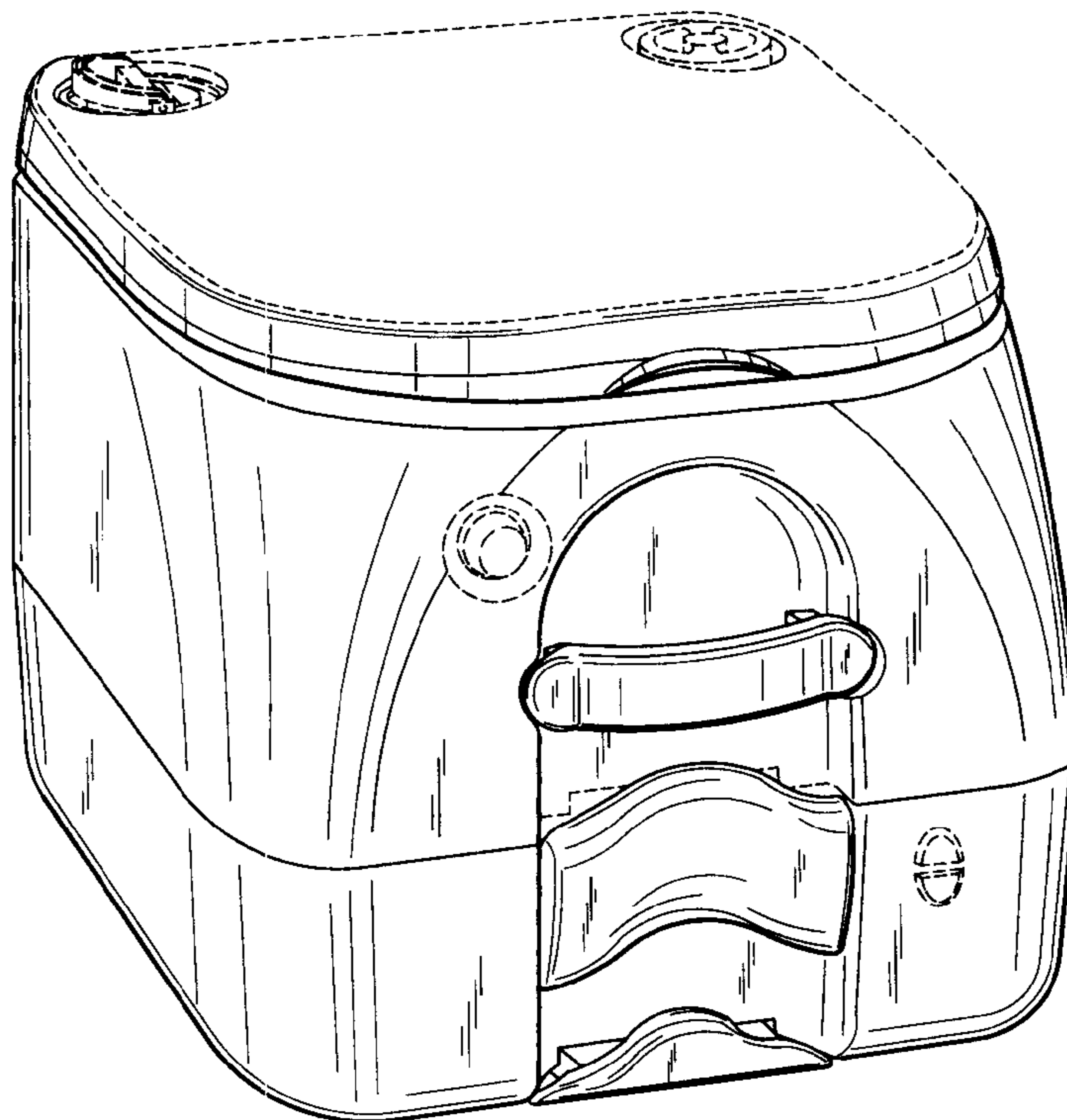
U.S. PATENT DOCUMENTS

D203,381 S	*	1/1966	Brown	D23/299
3,251,068 A	*	5/1966	Milette et al.	D23/299
3,727,242 A		4/1973	Miller		
D233,150 S	*	10/1974	Workman	D23/299
D233,755 S	*	11/1974	Hewson	D23/299
D250,344 S	*	11/1978	Sargent et al.	D23/299
D255,597 S	*	6/1980	Sargent et al.	D23/299
D255,828 S	*	7/1980	Butler et al.	D23/299
D257,385 S	*	10/1980	Sargent et al.	D23/299
4,547,916 A		10/1985	Henke et al.		
4,603,443 A		8/1986	Stewart		

FIG. 1 is a front, left perspective view of portable toilet in showing my new design;
FIG. 2 is a front, right perspective view thereof;
FIG. 3 is a back perspective view thereof;
FIG. 4 is a top view thereof;
FIG. 5 is a bottom view thereof;
FIG. 6 is a front view thereof;
FIG. 7 is a rear view thereof;
FIG. 8 is a left side view thereof;
FIG. 9 is a right side view thereof;
FIG. 10 is a front, right perspective view thereof showing a lid in an open position; and,
FIG. 11 is a front, left perspective view thereof showing the lid in an open position.

The broken line showing of portions of the portable toilet is for illustrative purposes only and forms no part of the claimed design.

1 Claim, 6 Drawing Sheets



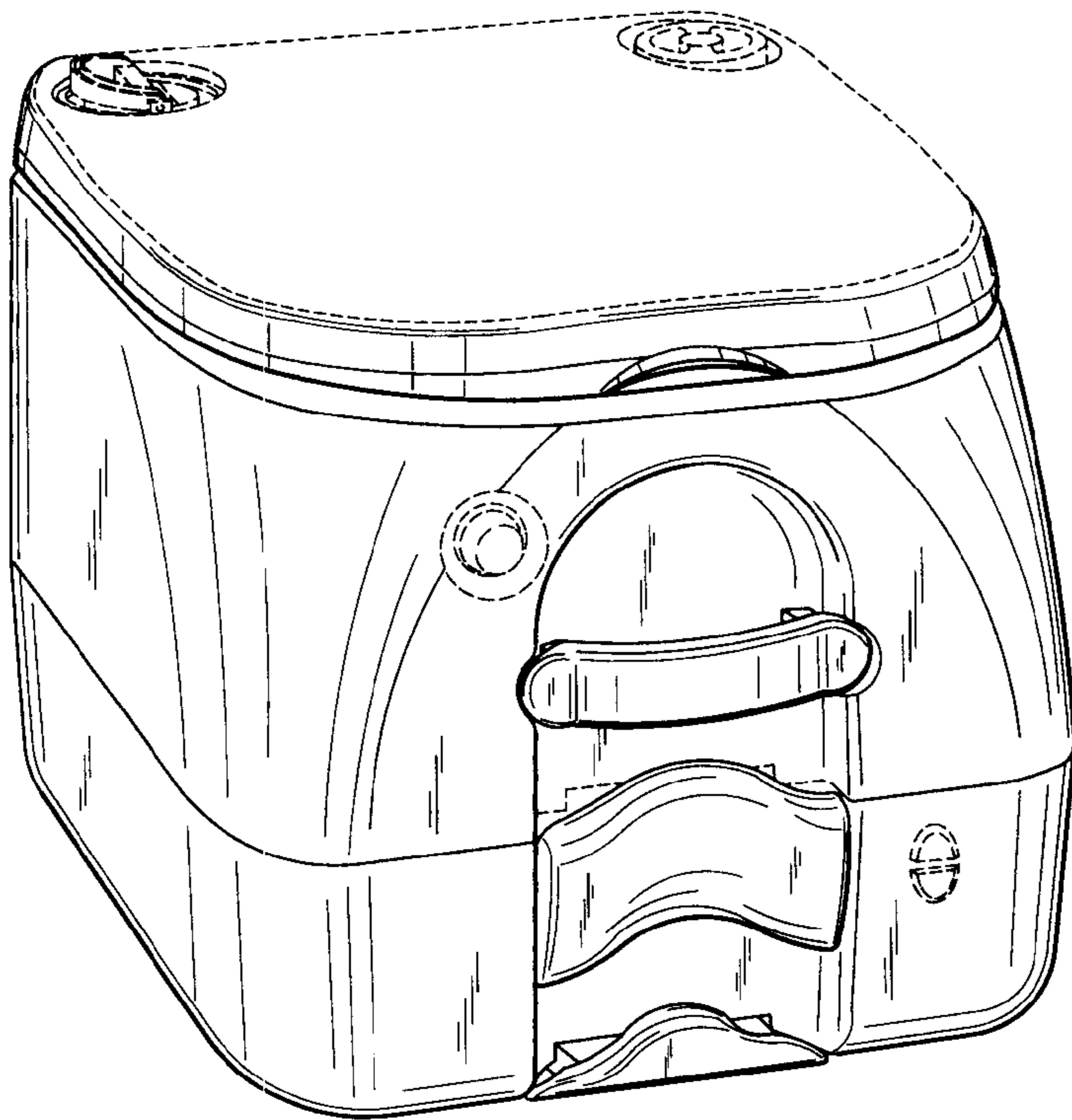


FIG. 1

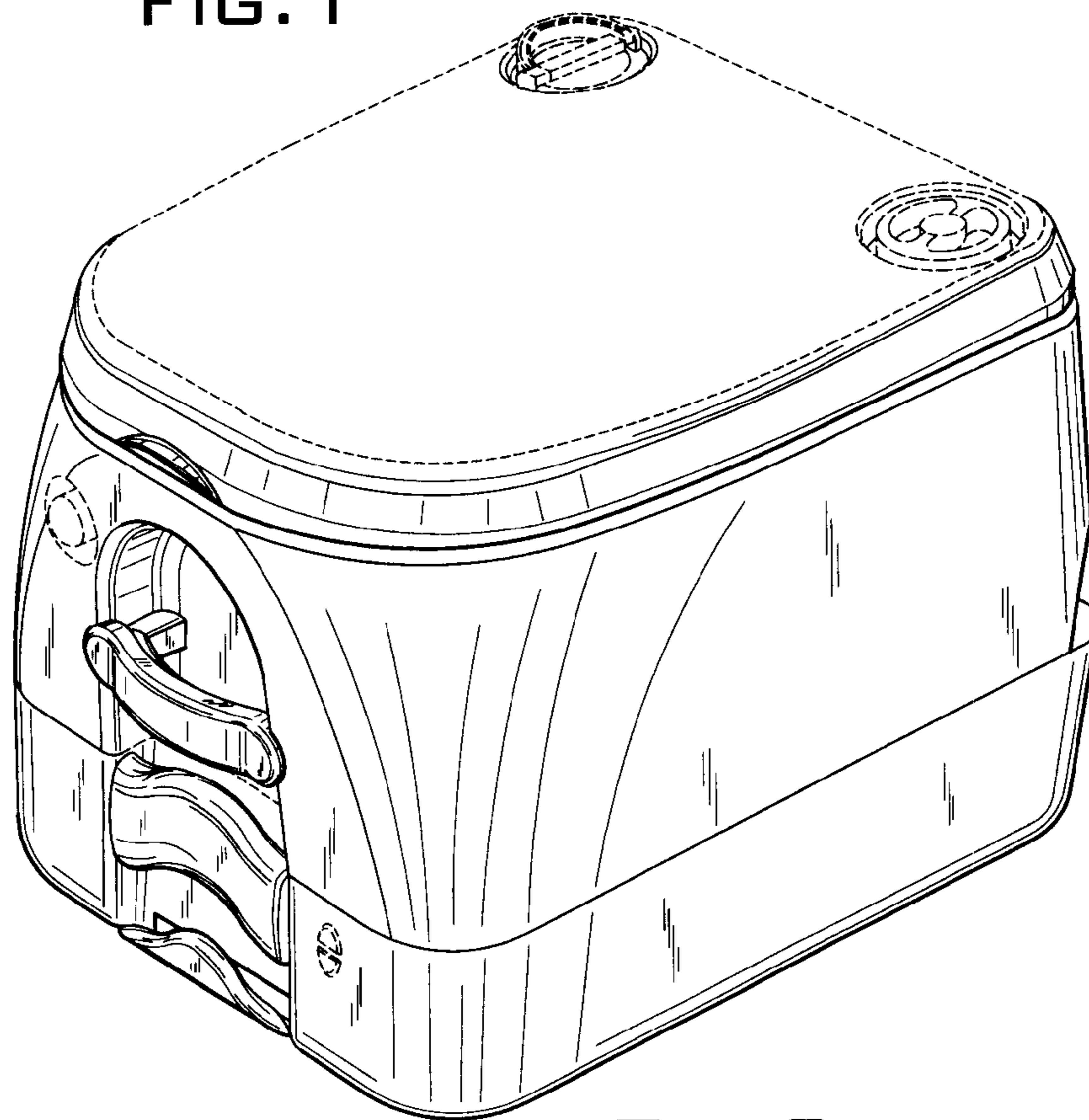


FIG. 2

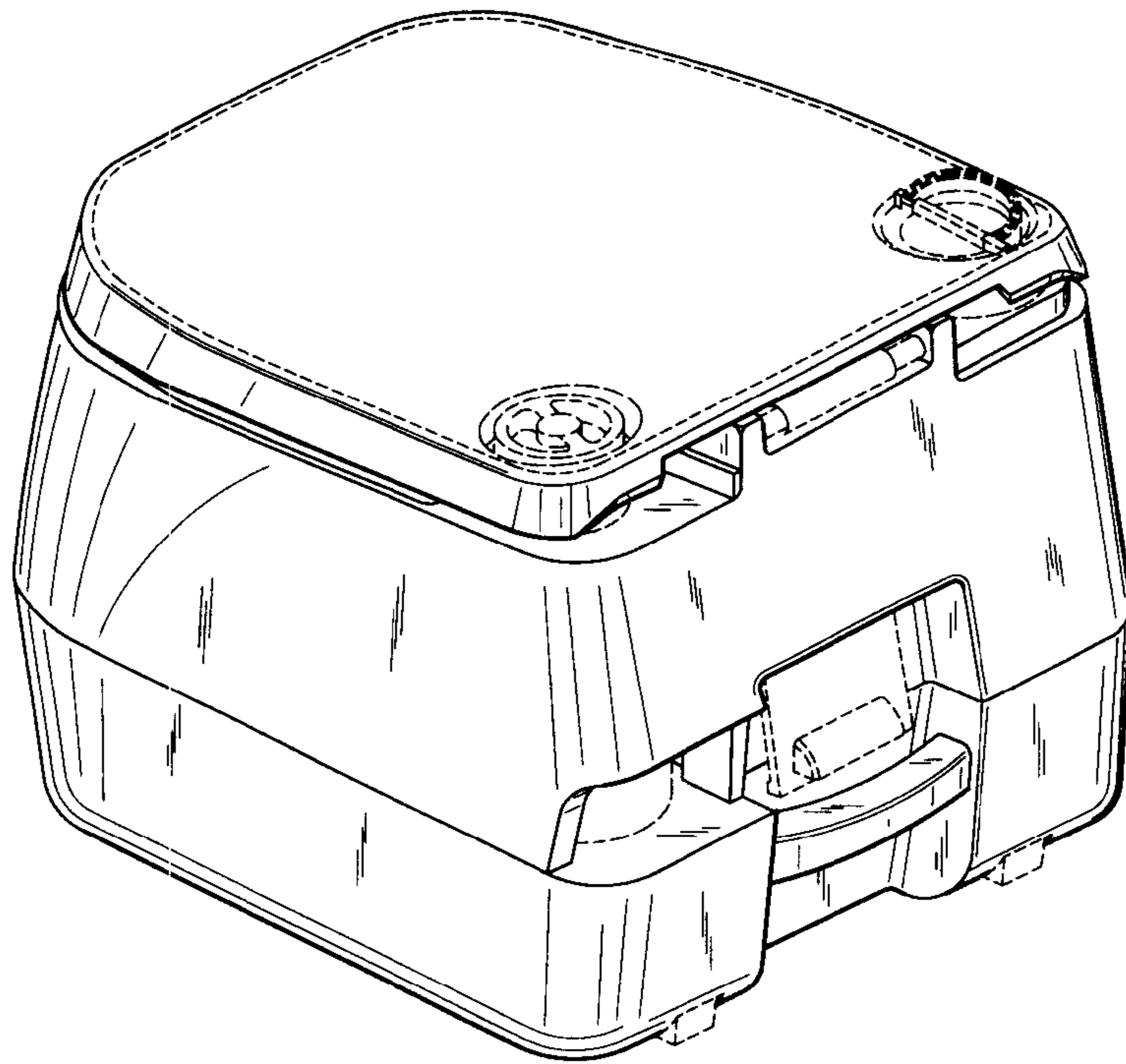


FIG. 3

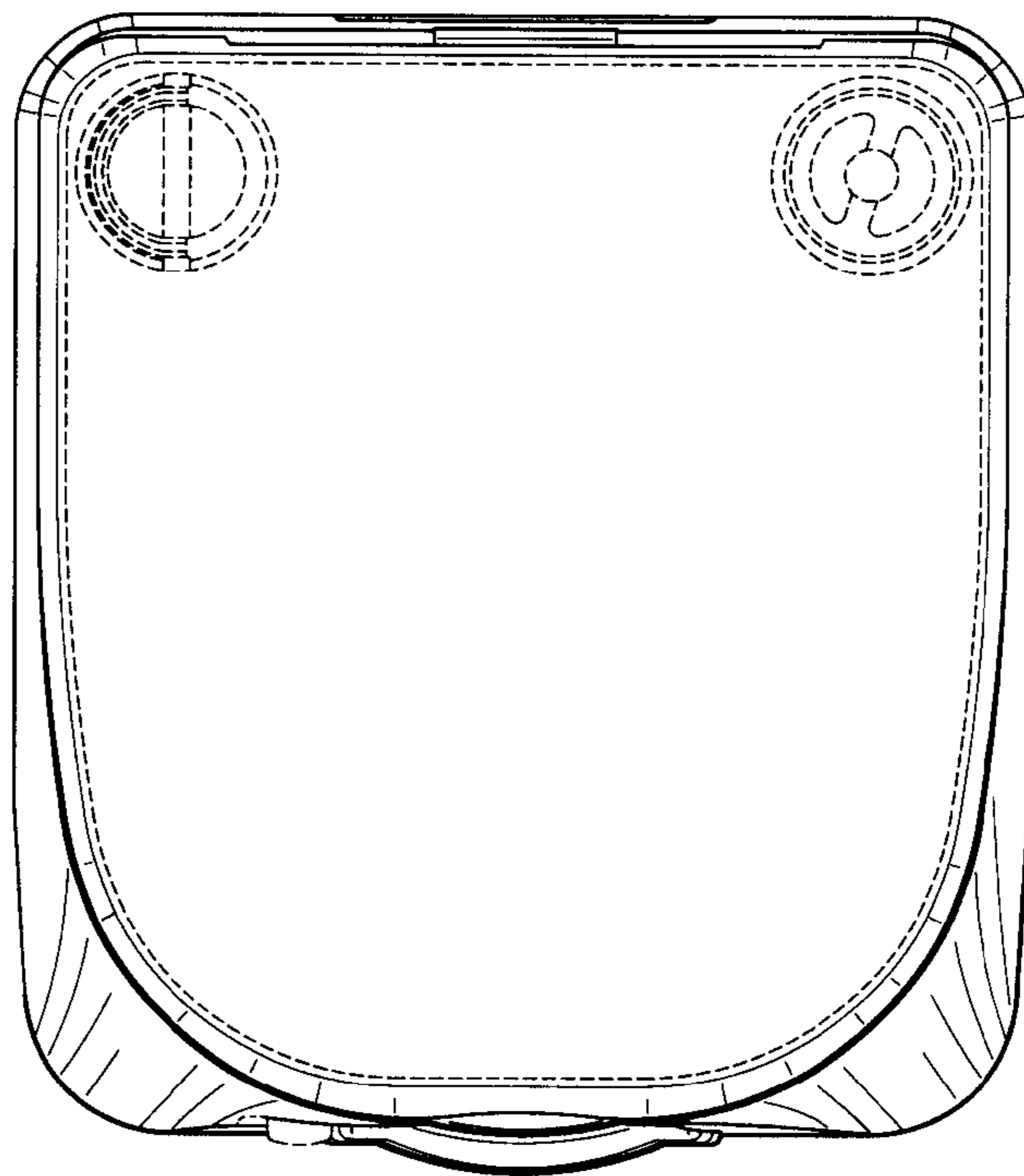


FIG. 4

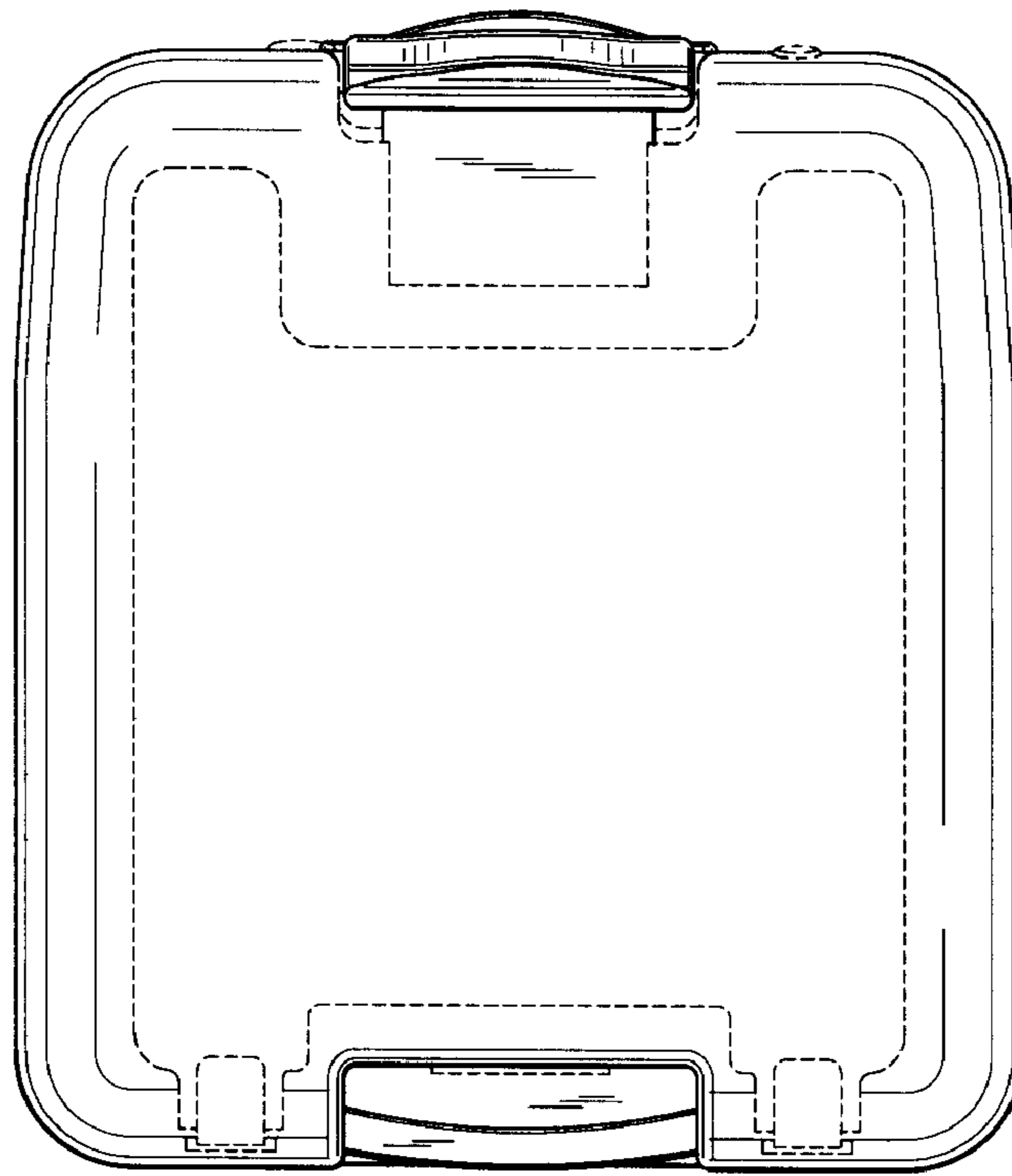


FIG. 5

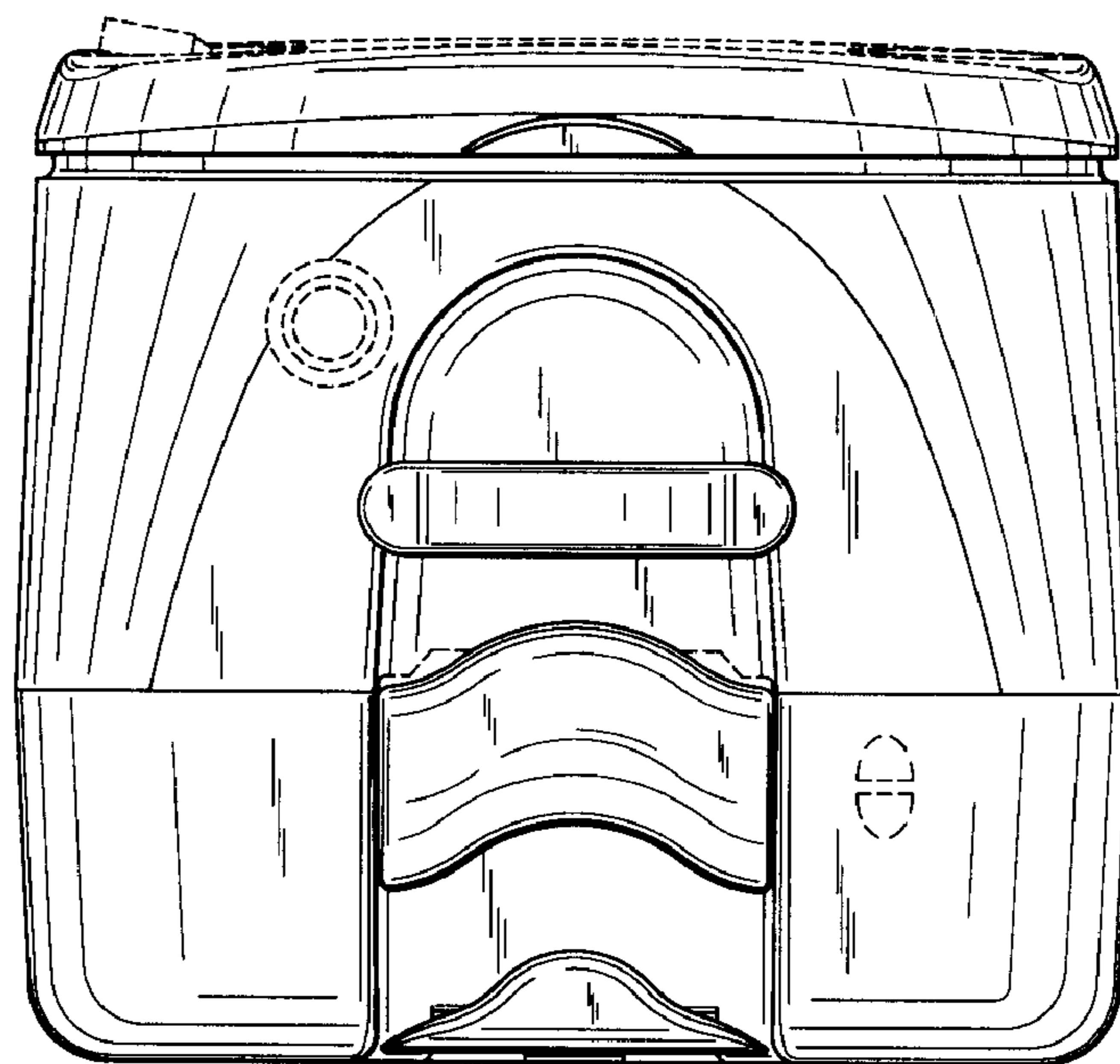


FIG. 6

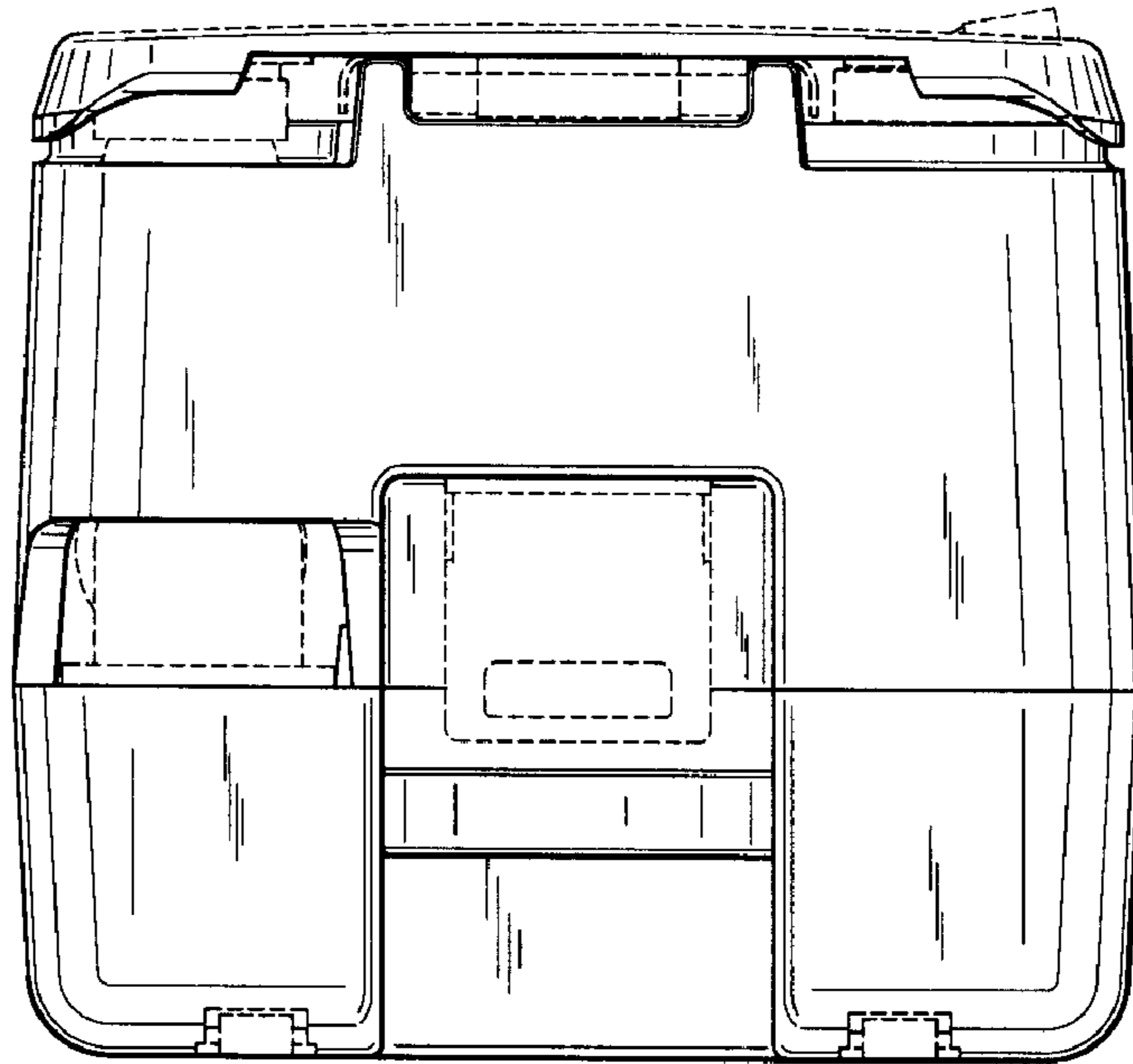


FIG. 7

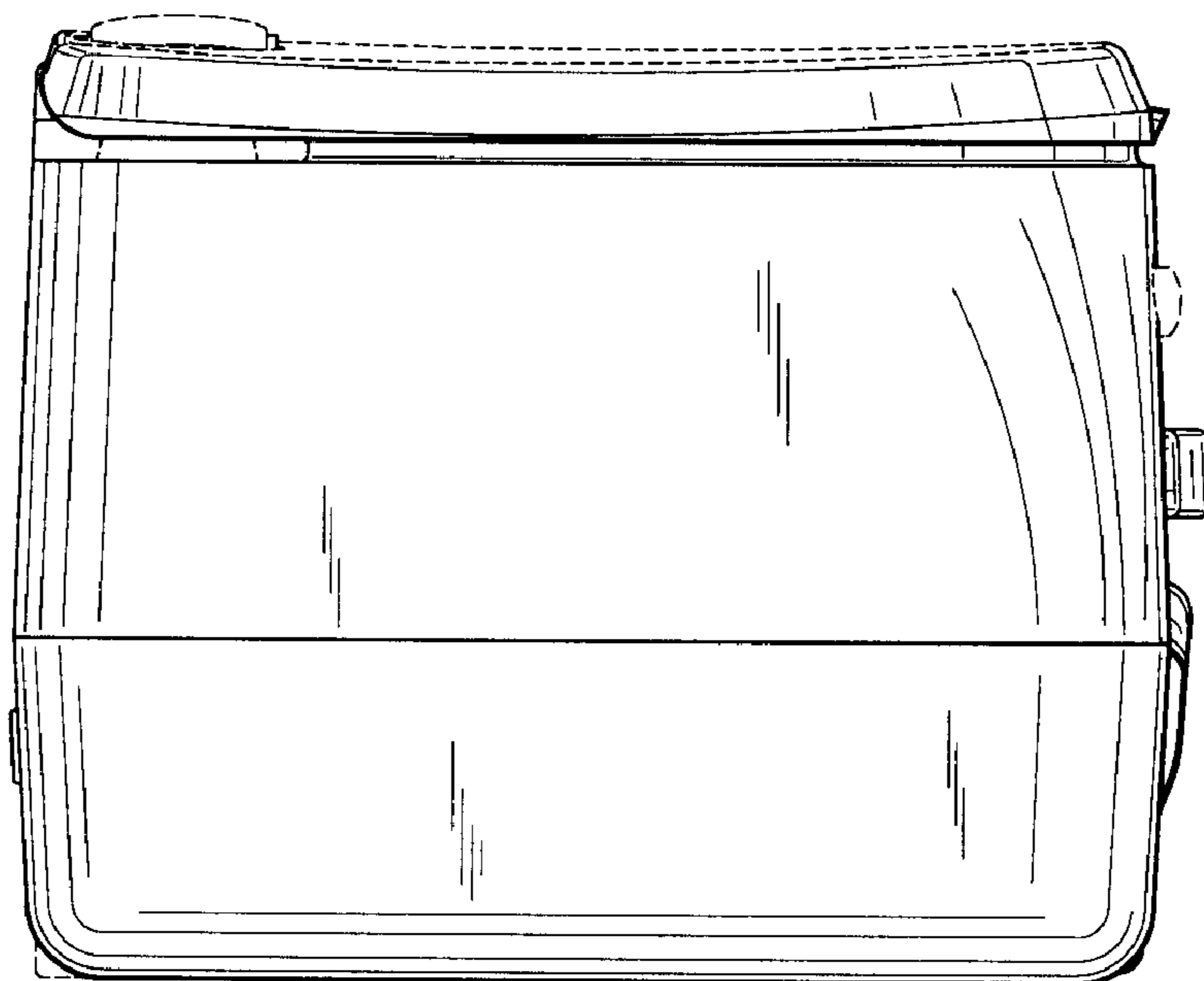


FIG. 8

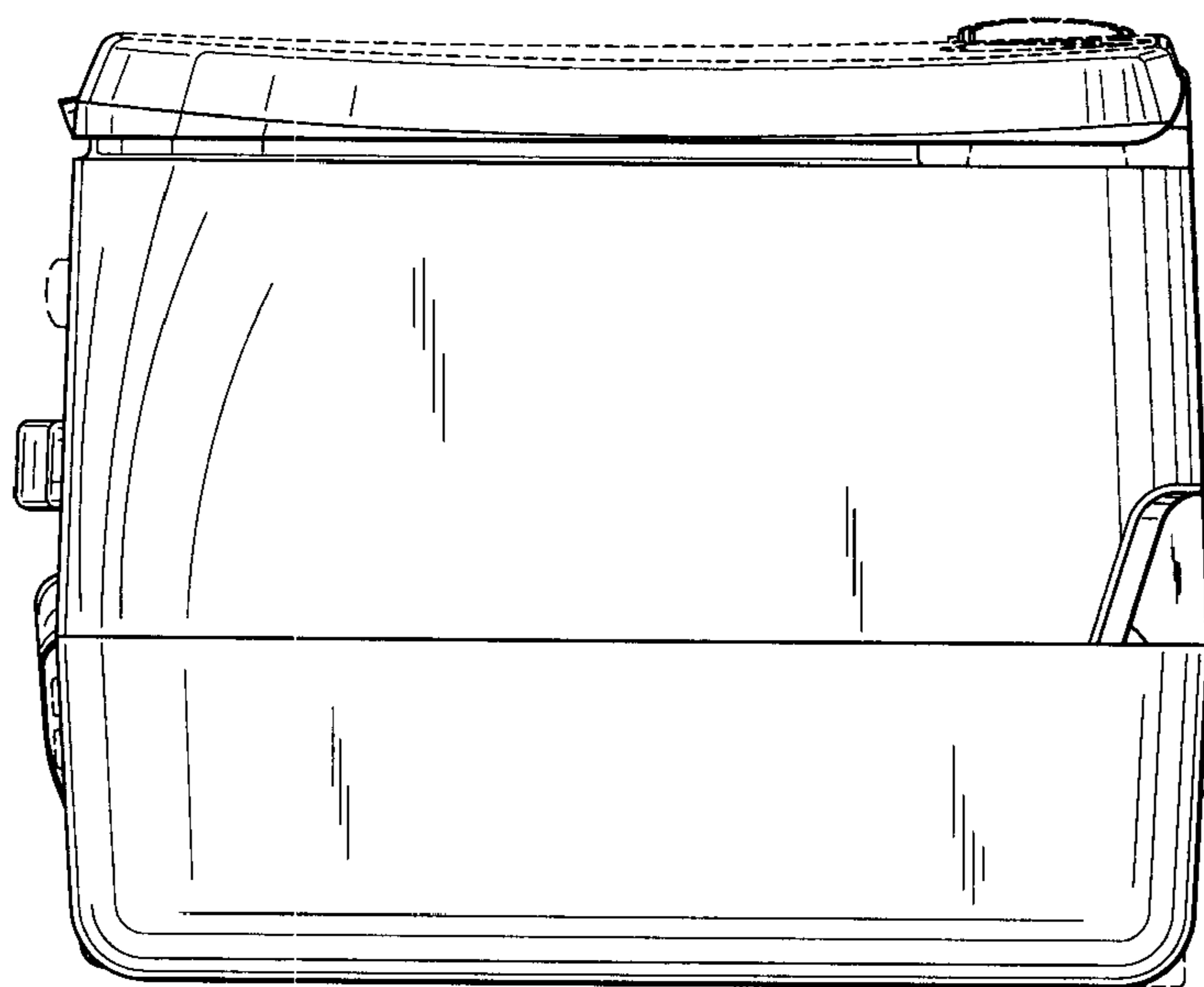


FIG. 9

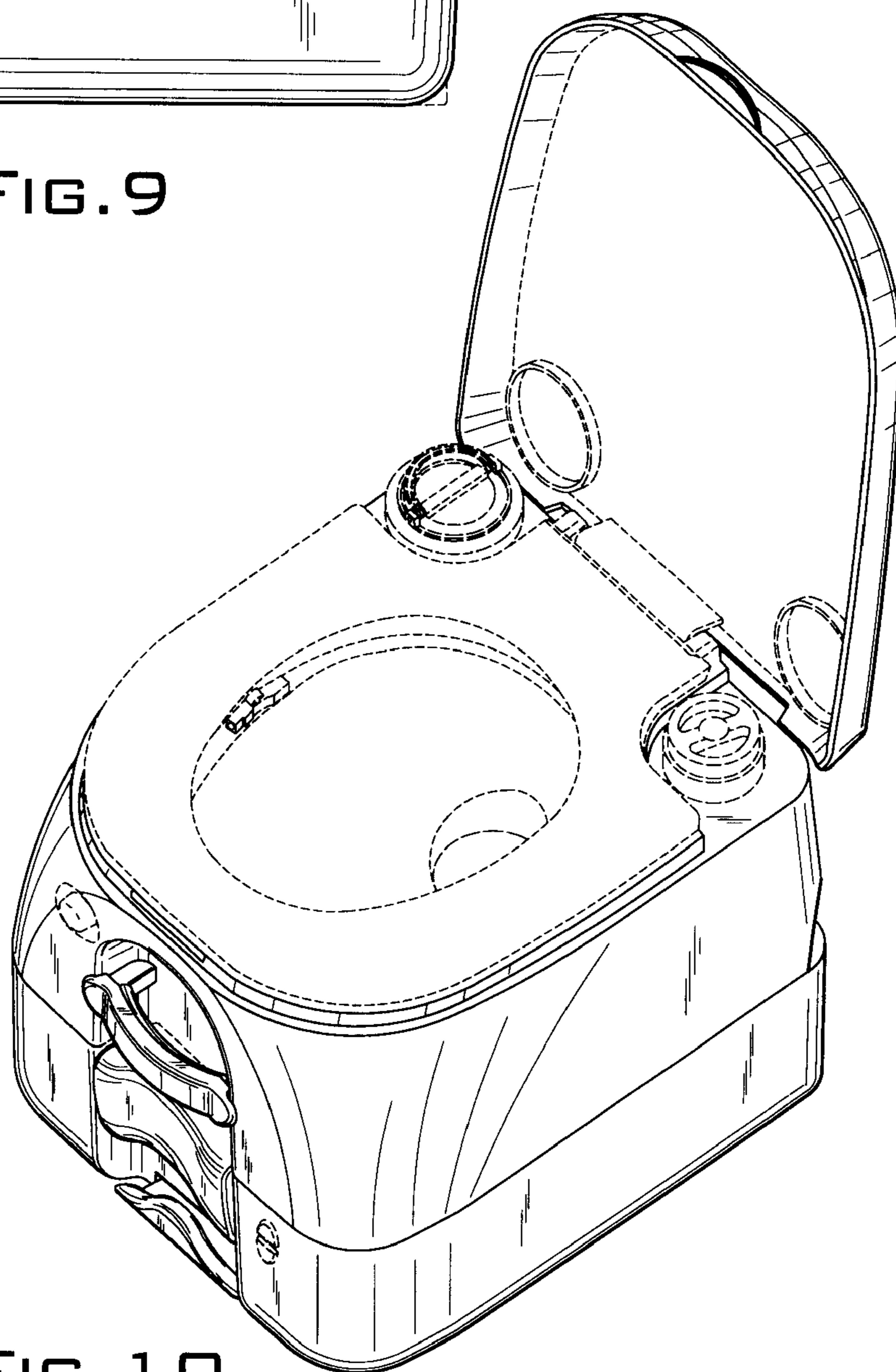


FIG. 10

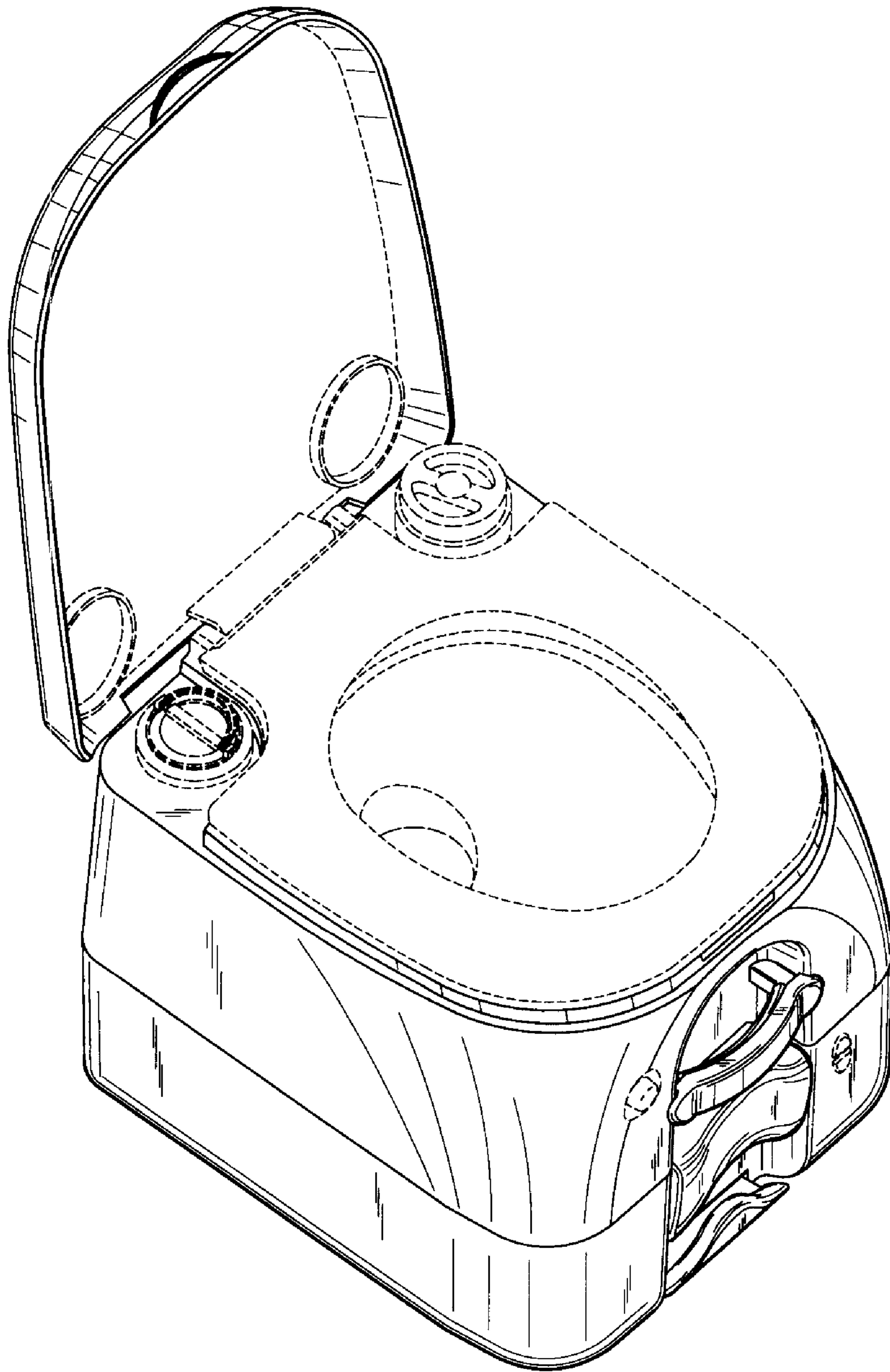


FIG. 1 1