



US00D532491S

(12) **United States Design Patent** (10) **Patent No.:** **US D532,491 S**  
**Soulier** (45) **Date of Patent:** **\*\* Nov. 21, 2006**

(54) **LAVATORY**

(75) Inventor: **Jean-Hugues Soulier**, Vaucresson (FR)

(73) Assignee: **Kohler France SAS**, Paris (FR)

(\*\*) Term: **14 Years**

(21) Appl. No.: **29/220,907**

(22) Filed: **Jan. 7, 2005**

(51) **LOC (8) Cl.** ..... **23-02**

(52) **U.S. Cl.** ..... **D23/293.1**

(58) **Field of Classification Search** ..... D23/272-274,  
D23/284-285, 288-289, 291, 293.1, 303,  
D23/308; 4/515-516, 519, 619, 650, 661  
See application file for complete search history.

(56) **References Cited**

**U.S. PATENT DOCUMENTS**

D36,993 S \* 6/1904 Torrance et al. .... D23/293.1  
D295,671 S \* 5/1988 Kohler, Jr. .... D23/293.1  
D495,038 S \* 8/2004 Kakahana .... D23/293.1

**FOREIGN PATENT DOCUMENTS**

JP 239694-002 S 2/1975

**OTHER PUBLICATIONS**

Kohler catalog page, Lavatorie, Countertop Self-Rimming.  
Porcher website page, Porcher Bathroom Sinks, Como,  
model No. 15010, dated Oct. 21, 2004.

\* cited by examiner

*Primary Examiner*—Robert A. Delehanty

(74) *Attorney, Agent, or Firm*—Quarles & Brady LLP

(57) **CLAIM**

The ornamental design for a lavatory, as shown and described.

**DESCRIPTION**

In a preferred embodiment, the nature of this product is a plumbing fixture for washing human body parts.

FIG. 1 is a top, left, front perspective view of a lavatory embodying my new design;

FIG. 2 is a top plan view thereof;

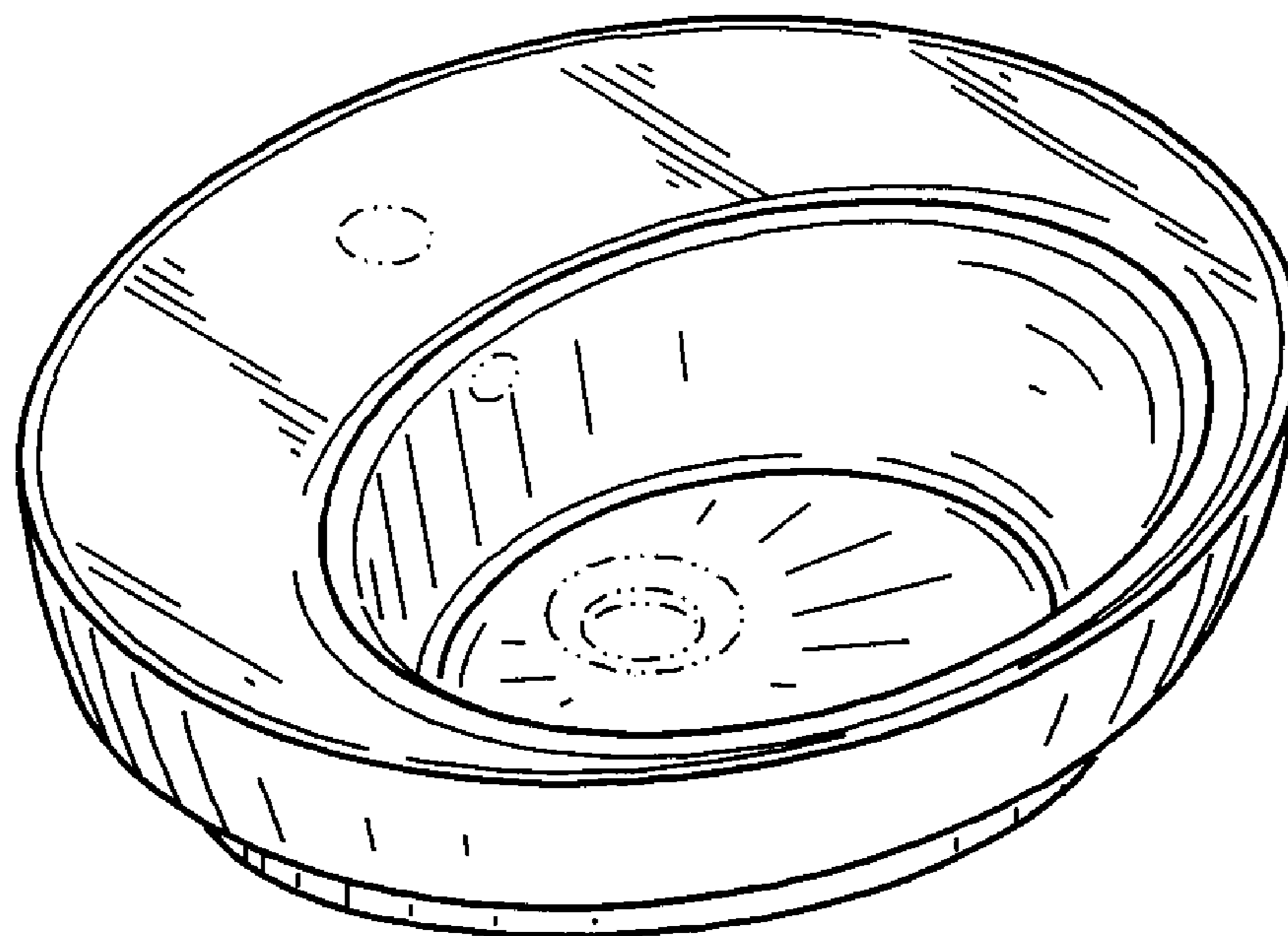
FIG. 3 is a front elevational view thereof;

FIG. 4 is a left side elevational view thereof, the right side elevational view thereof being a mirror image of the left side shown; and,

FIG. 5 is a bottom plan view thereof.

The broken line representations of holdes in FIGS. 1 and 2, a drain in FIGS. 1-2 and 5, and of understructure in FIG. 5 are for the purpose of illustration only, and form no part of the claimed design.

**1 Claim, 2 Drawing Sheets**



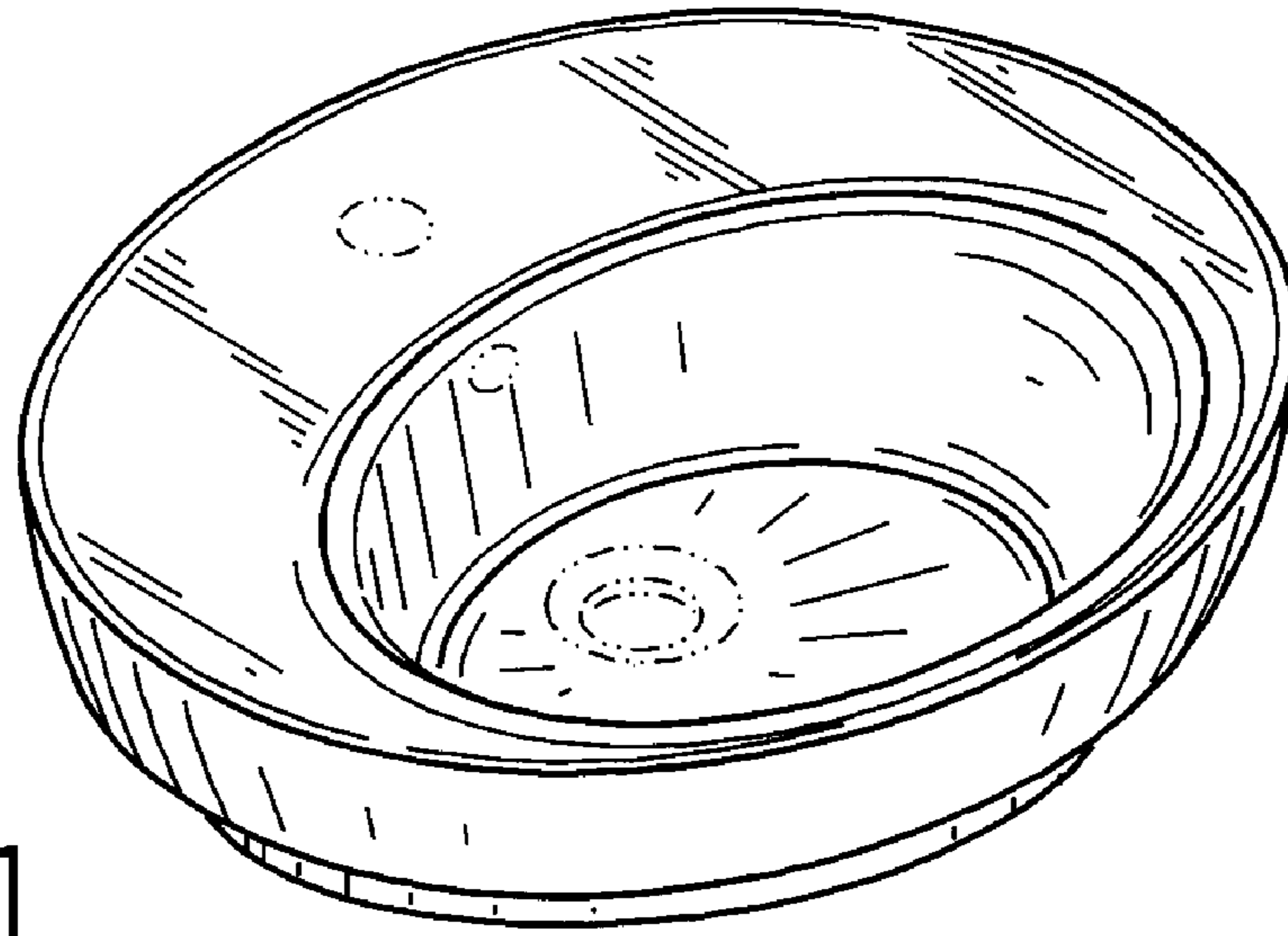


FIG. 1

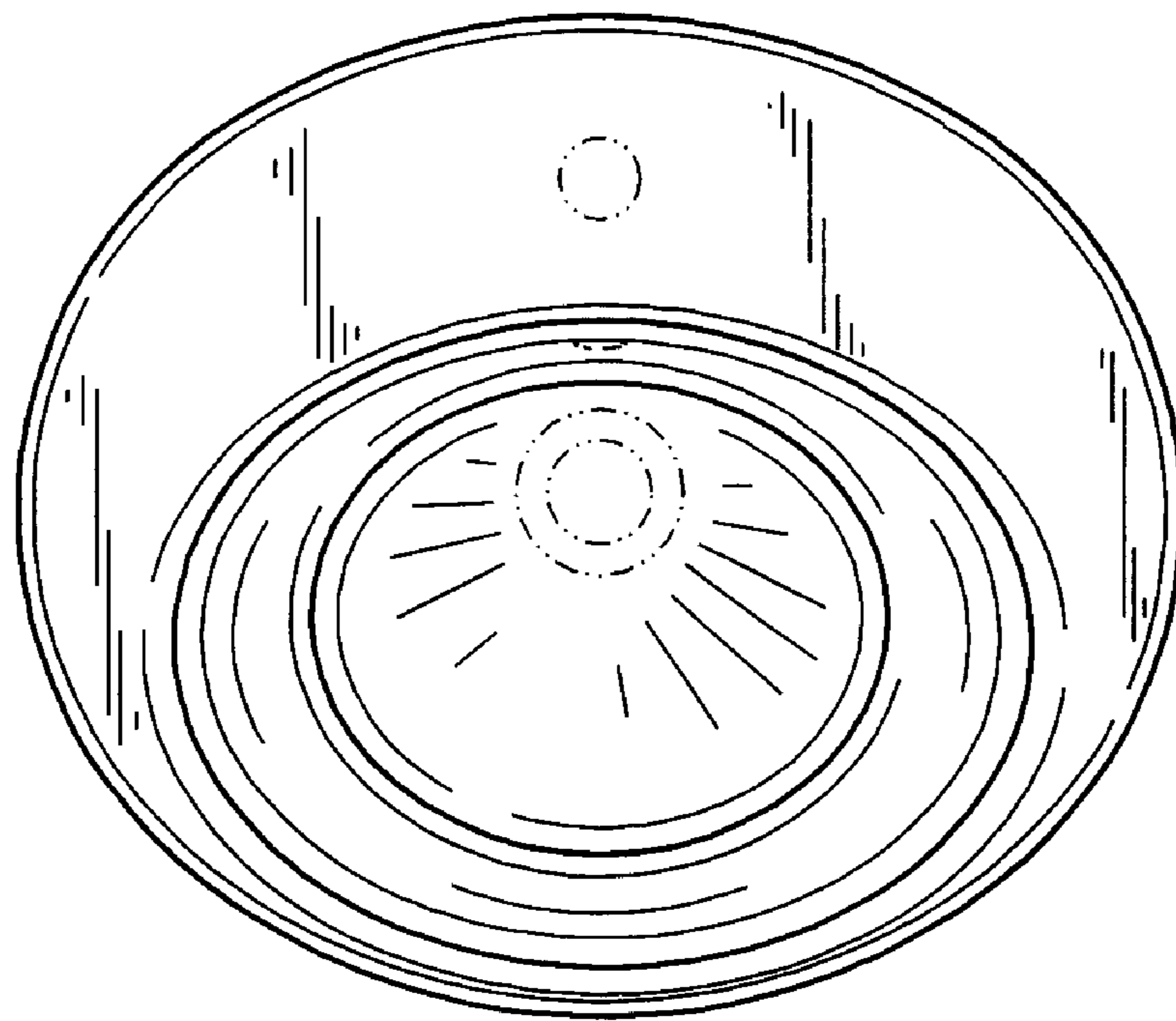


FIG. 2

FIG. 3

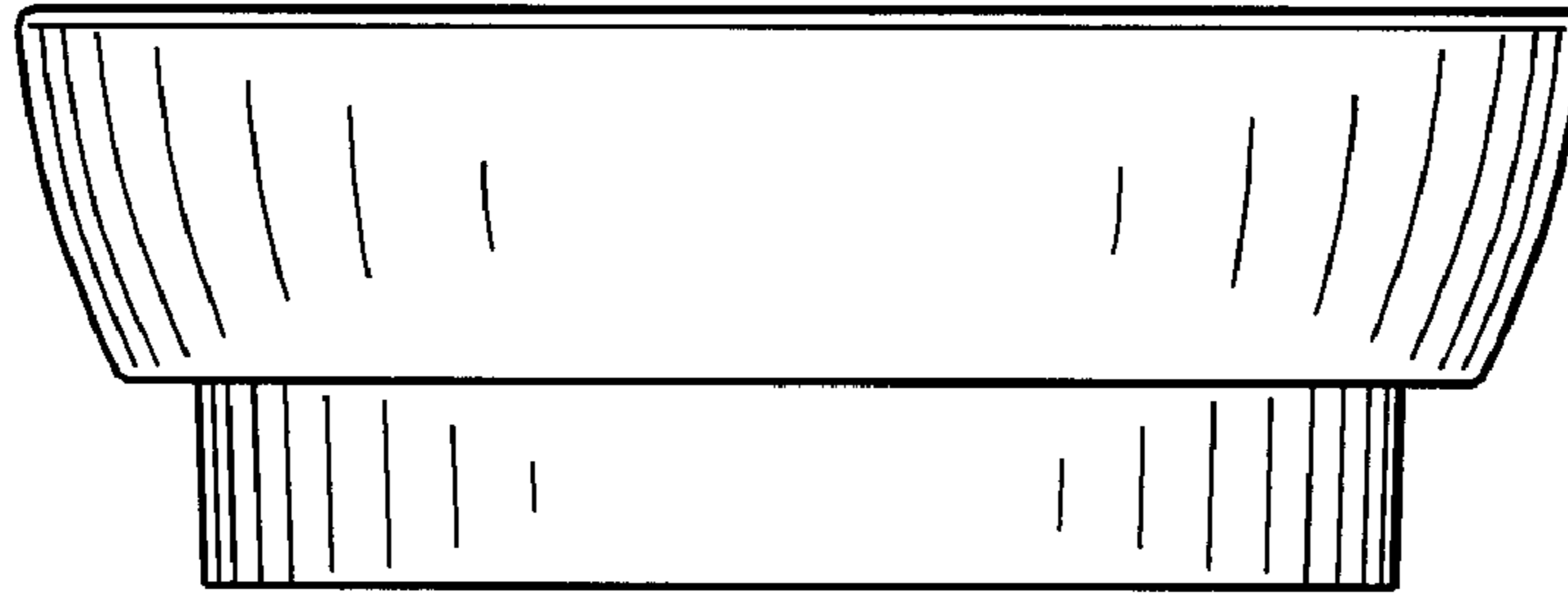


FIG. 4

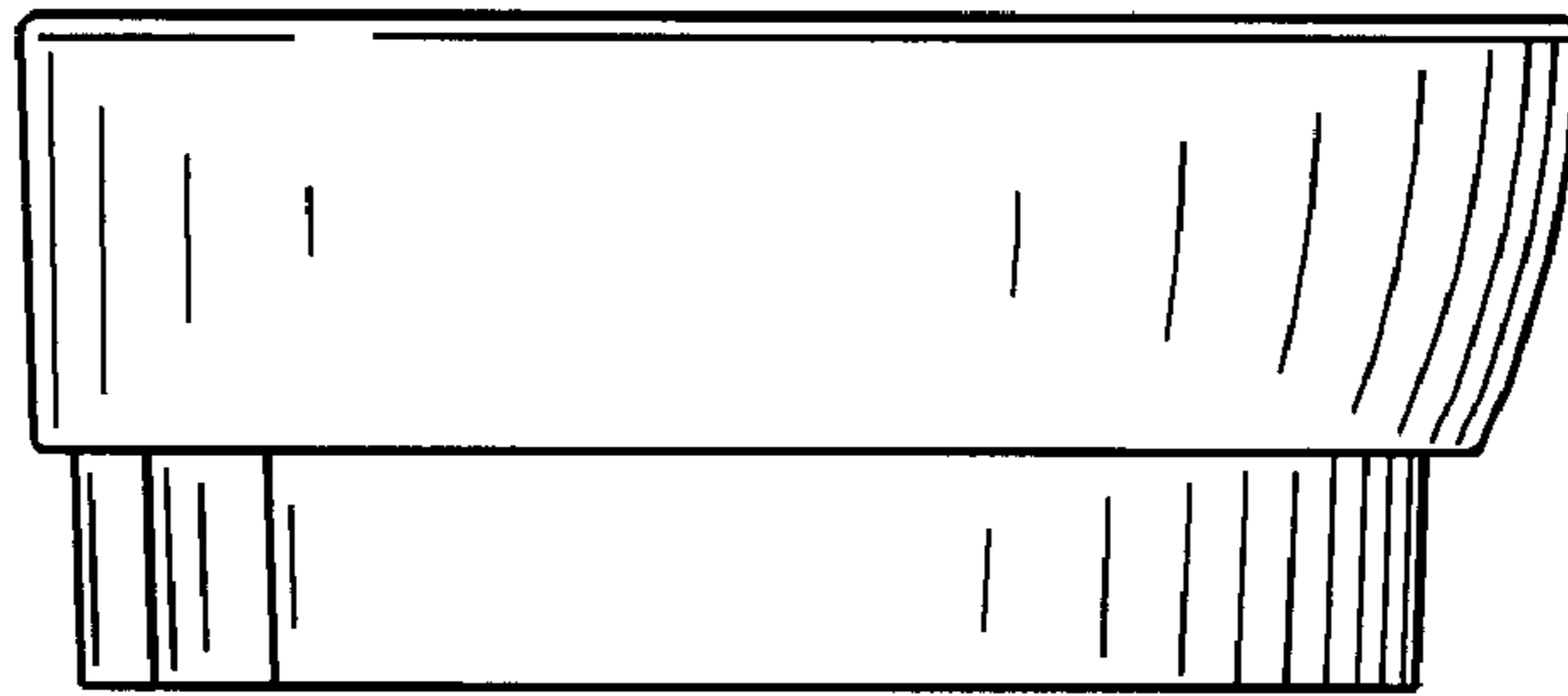


FIG. 5

