



US00D532490S

(12) **United States Design Patent**
Després

(10) **Patent No.:** **US D532,490 S**

(45) **Date of Patent:** **** Nov. 21, 2006**

(54) **BATHTUB**

(75) Inventor: **Claudia Després**, Montreal (CA)

(73) Assignee: **Universite de Montreal**, Quebec (CA)

(**) Term: **14 Years**

(21) Appl. No.: **29/229,216**

(22) Filed: **May 5, 2005**

(51) **LOC (8) Cl.** **23-02**

(52) **U.S. Cl.** **D23/277**

(58) **Field of Classification Search** D23/273,
D23/276-277, 280.1-280.3, 303-306; D24/204-205;
4/538, 584

See application file for complete search history.

(56) **References Cited**

U.S. PATENT DOCUMENTS

D483,099 S * 12/2003 Shimizu D23/280.2

D484,955 S * 1/2004 Shimizu D23/277

D502,989 S * 3/2005 Turcotte et al. D23/277

* cited by examiner

Primary Examiner—Robert A Delehanty

(74) *Attorney, Agent, or Firm*—BCP LLP

(57) **CLAIM**

The ornamental design for a bathtub, as shown and described.

DESCRIPTION

FIG. 1 is a front perspective view of the bathtub;

FIG. 2 is a front elevational view of the bathtub;

FIG. 3 is a left side elevational view of the bathtub;

FIG. 4 is a top plan view of the bathtub;

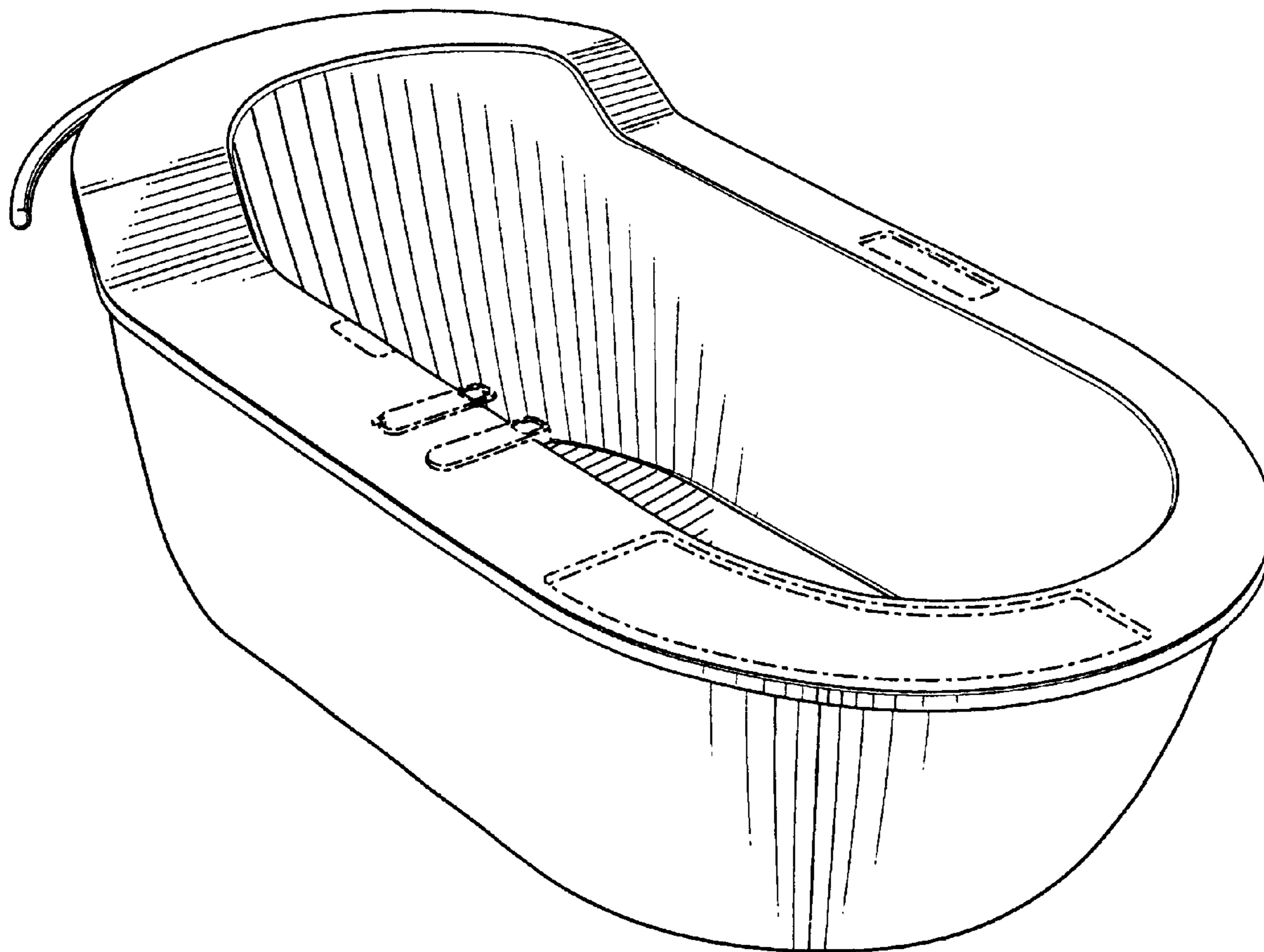
FIG. 5 is a rear elevational view of the bathtub;

FIG. 6 is a right side elevational view of the bathtub; and,

FIG. 7 is a bottom plan view of the bathtub.

The broken line showing of portions of the bathtub is for illustrative purposes only and forms no part of the claimed design.

1 Claim, 3 Drawing Sheets



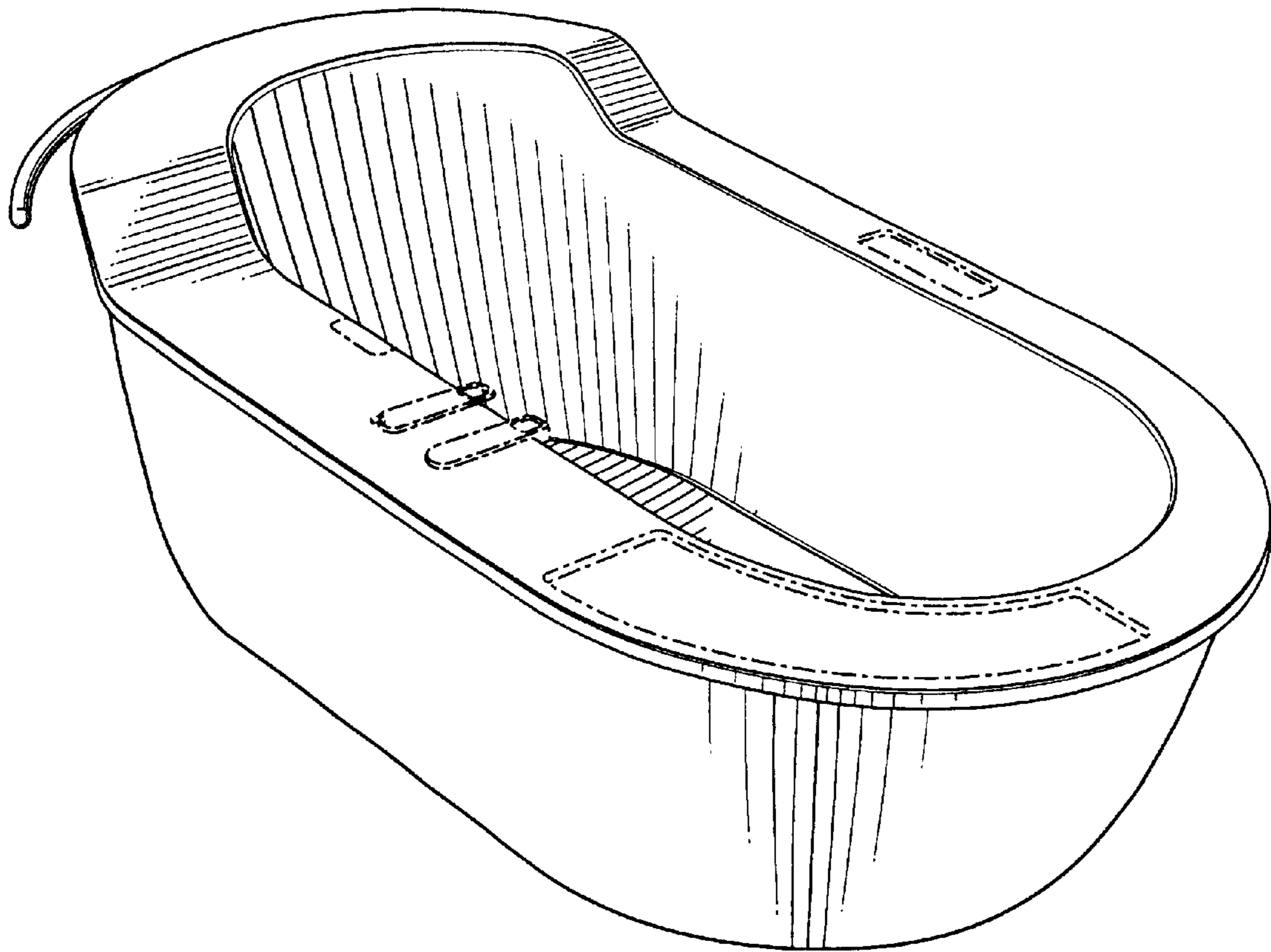


FIG. 1

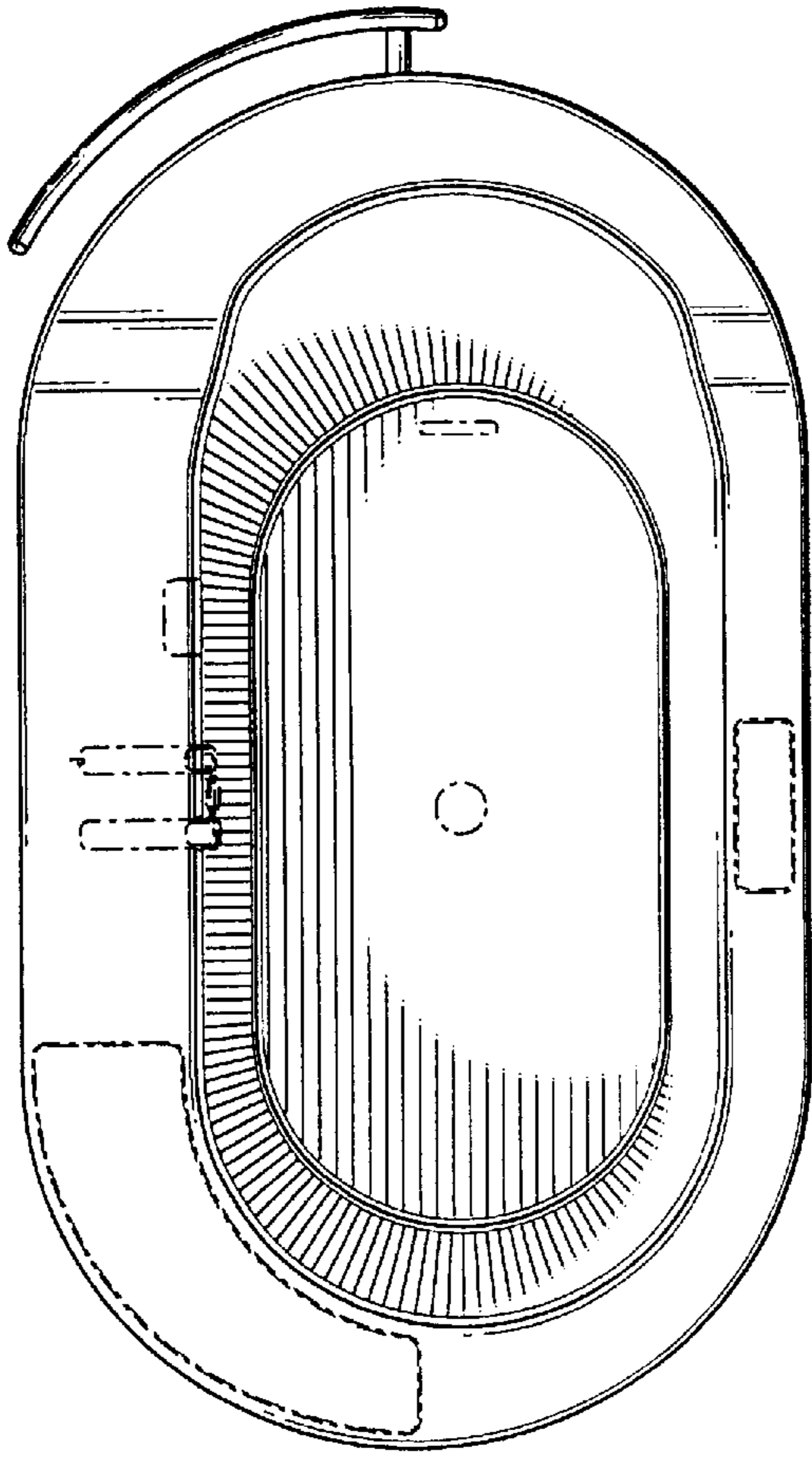


FIG. 4

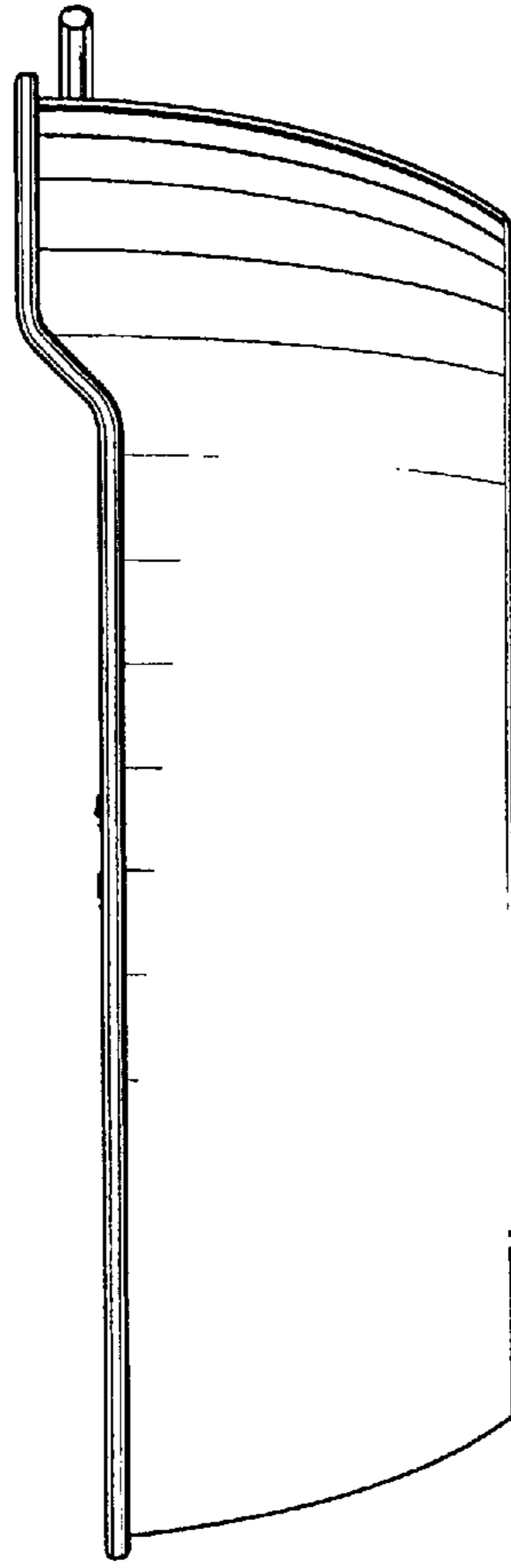


FIG. 3

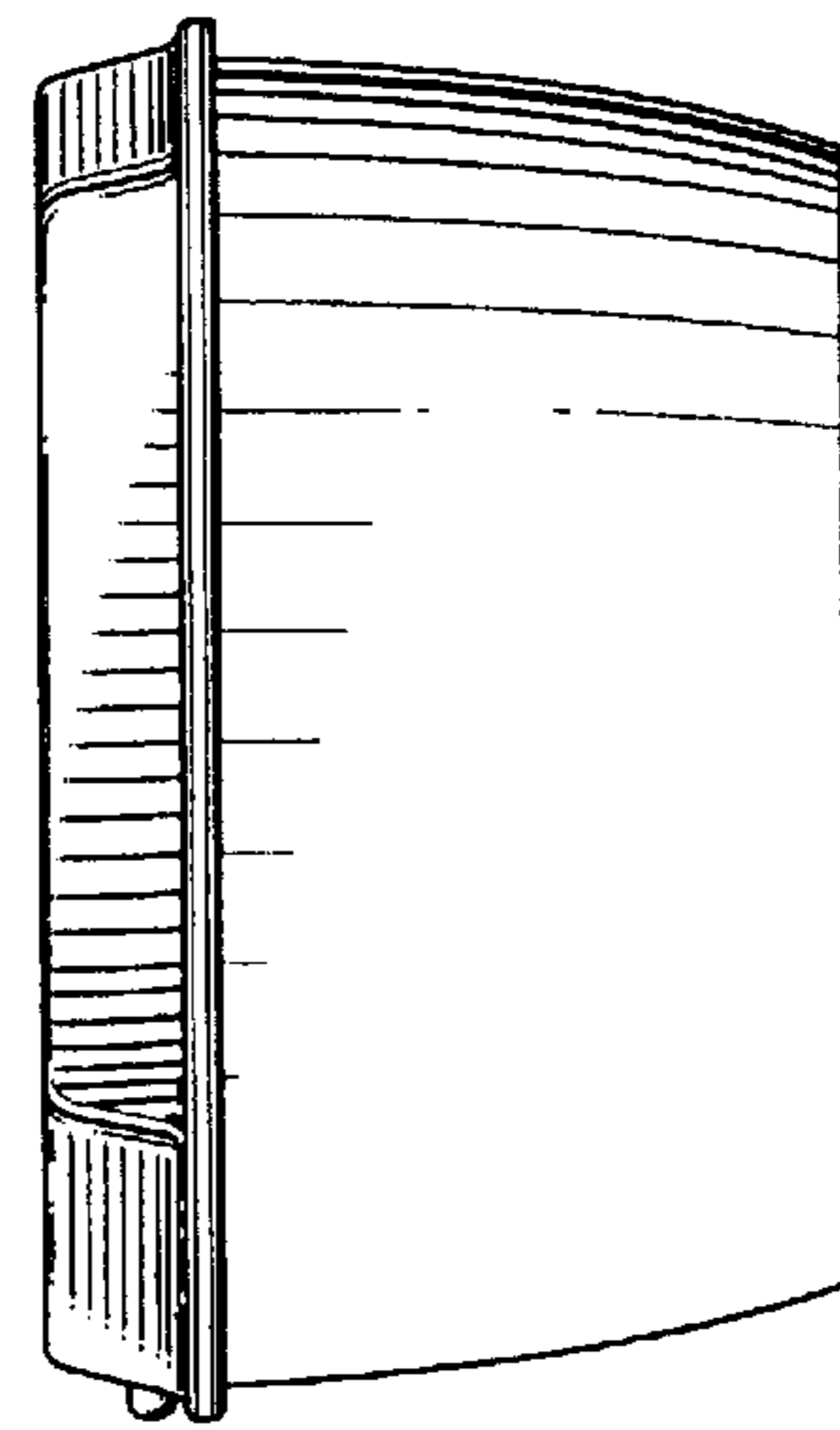


FIG. 2

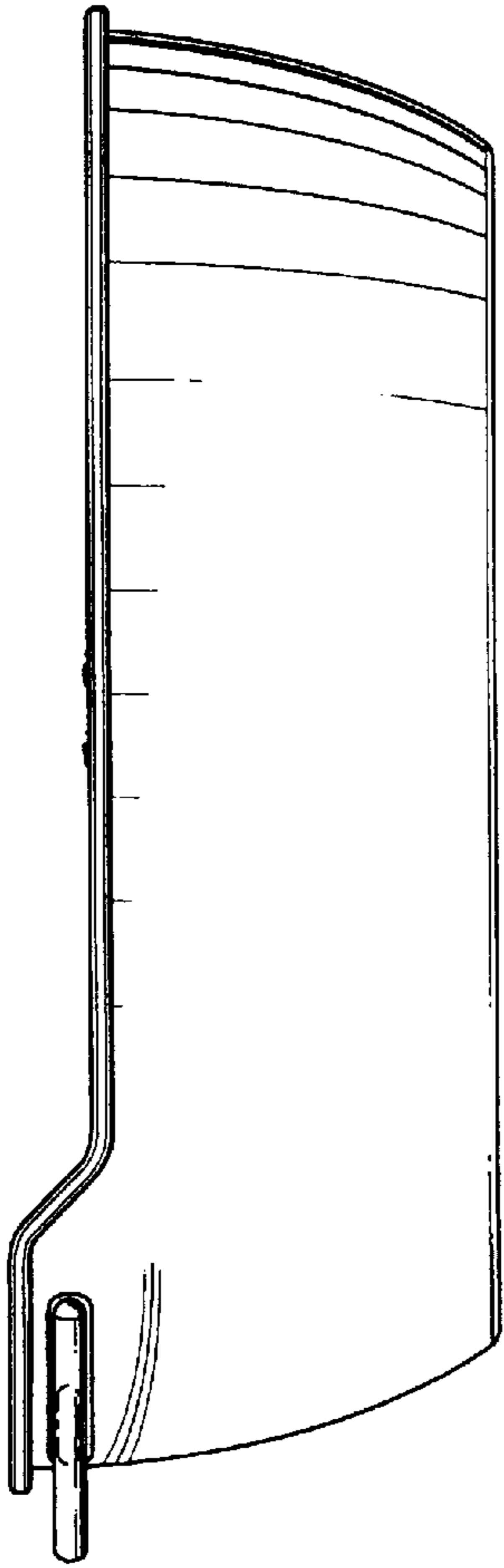


FIG. 5

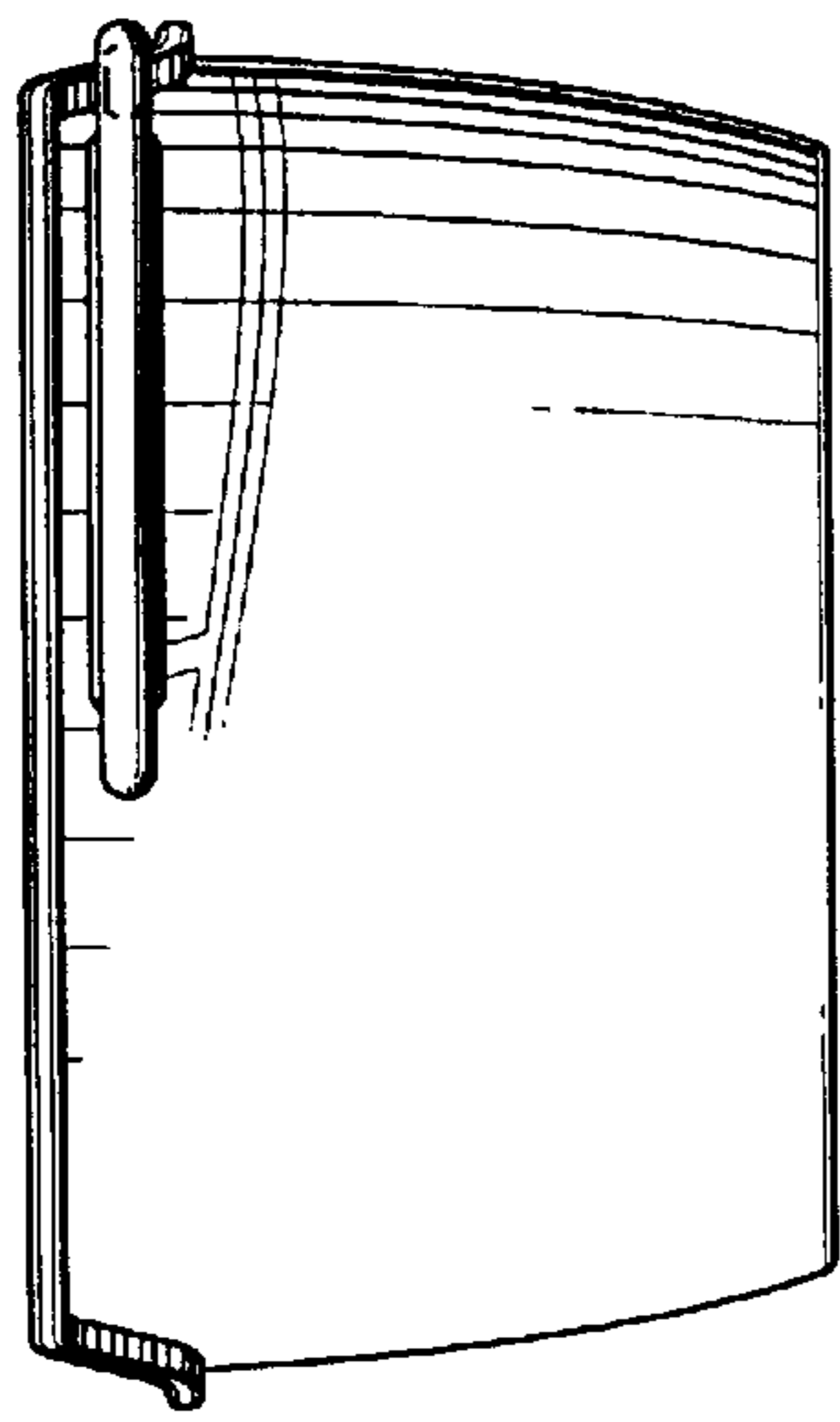


FIG. 6

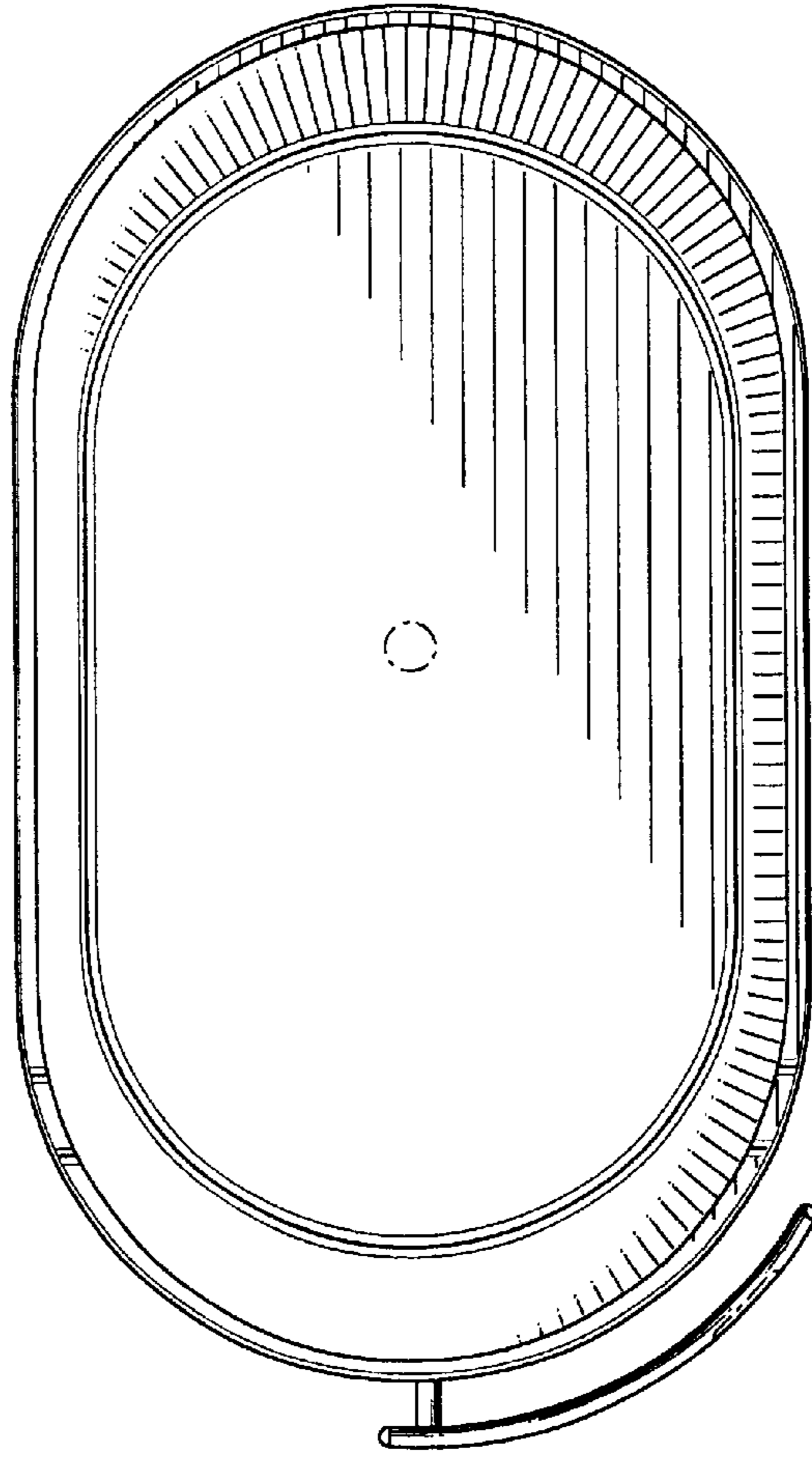


FIG. 7