



US00D532484S

(12) **United States Design Patent** (10) **Patent No.:** **US D532,484 S**  
**Blomstrom** (45) **Date of Patent:** **\*\* Nov. 21, 2006**

(54) **SPOUT**

(75) Inventor: **John K. Blomstrom**, Sheboygan Falls, WI (US)

(73) Assignee: **Kohler Co.**, Kohler, WI (US)

(\*\*) Term: **14 Years**

(21) Appl. No.: **29/238,282**

(22) Filed: **Sep. 13, 2005**

**Related U.S. Application Data**

(62) Division of application No. 29/208,604, filed on Jun. 30, 2004, now Pat. No. Des. 513,636.

(51) **LOC (8) Cl.** ..... **23-01**

(52) **U.S. Cl.** ..... **D23/241; D23/242**

(58) **Field of Classification Search** ..... **D23/238-257; 4/675-678; 137/801**

See application file for complete search history.

(56) **References Cited**

**U.S. PATENT DOCUMENTS**

D21,933 S	10/1892	Graham
D96,839 S	1/1935	Johnston
D287,269 S	12/1986	Piesco
D355,956 S	2/1995	Jans
D375,345 S	11/1996	Warshawsky
D382,940 S	8/1997	Ku
D468,810 S	1/2003	Smith
D486,563 S	2/2004	Hsieh
D492,009 S	6/2004	Egee

**OTHER PUBLICATIONS**

Harden Catalog, p. 13, #16-01-2-0B-B.  
1999 Kallista Catalog, p. 68, Barbara Barry Basin Set with Lever Handles.

Sterling Catalog, "ColorSplash", p. 4, 4" Mini-Spread Lavatory Faucets and ColorSplash Kitchen Faucets.

Harden Catalog, p. 72.

1999 Kallista Catalog, p. 45, Bacchus High-Arc Bar/Basin Set in Brushed Nickel.

Pending Design Patent Application; FIGS. 1-12; U.S. Appl. No. 29/208,604; Inventor: John K. Blomstrom; Filing Date: Jun. 30, 2004.

*Primary Examiner*—Louis S. Zarfes

*Assistant Examiner*—Gregory Andoll

(74) *Attorney, Agent, or Firm*—Quarles & Brady LLP

(57) **CLAIM**

The ornamental design for a spout, as shown and described.

**DESCRIPTION**

In a preferred embodiment, the nature of this product is as a plumbing fixture in the form of a faucet spout primary useful for washing various items.

FIG. 1 is a left, top, front perspective view of a spout embodying my new design;

FIG. 2 is a front elevational view thereof;

FIG. 3 is a left side elevational view thereof, the right side elevational view thereof being a mirror image of the left side shown;

FIG. 4 is a top plan view thereof;

FIG. 5 is a rear elevational view thereof; and,

FIG. 6 is a bottom plan view thereof.

The broken line representations of handles in FIGS. 1, 2 and 4-6, an outlet in FIGS. 1-3 and 6, wall structure in FIG. 3, and a mounting opening in FIG. 6 are for the purpose of illustration only, and form no part of the claimed design.

**1 Claim, 3 Drawing Sheets**

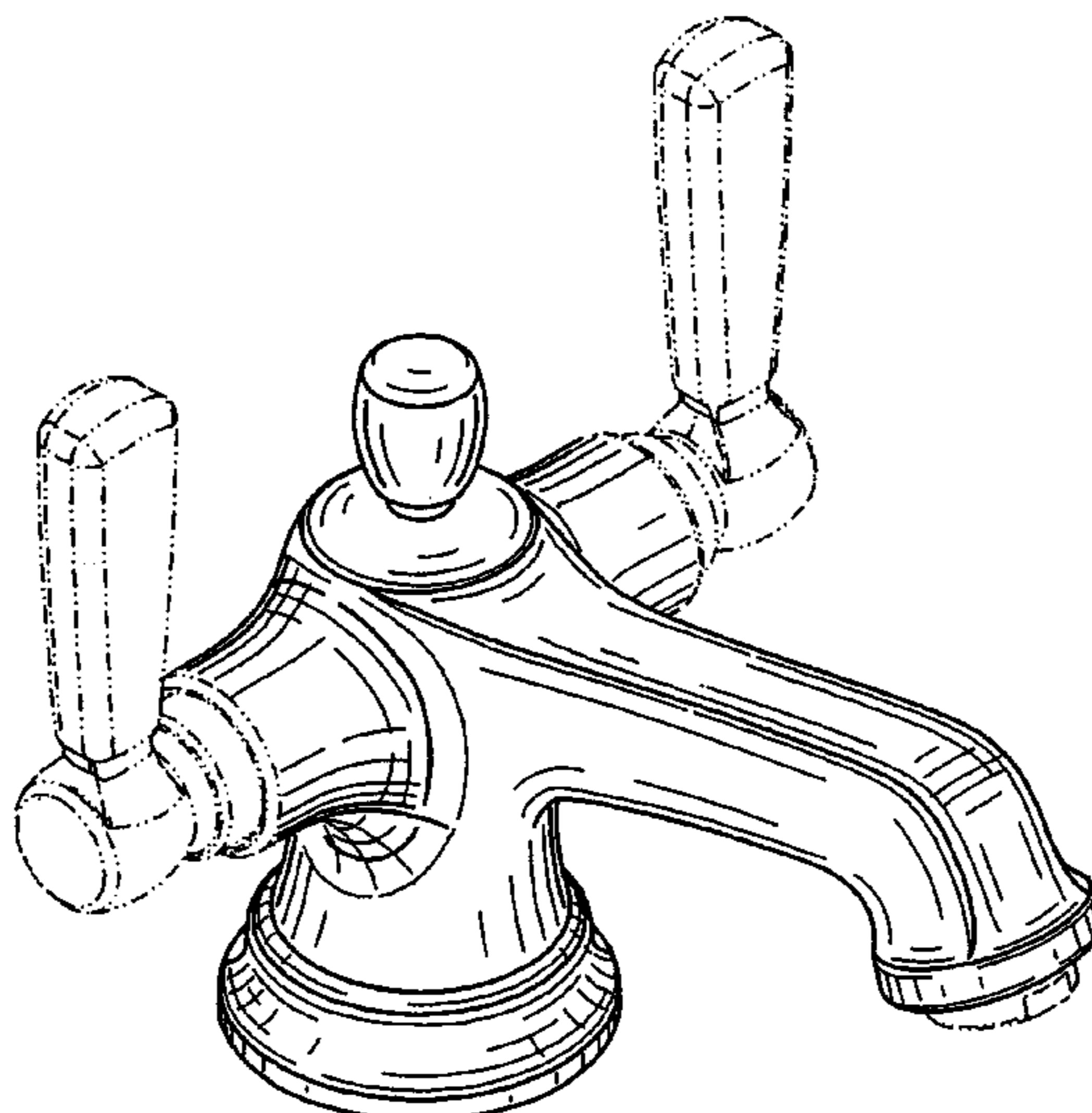


FIG. 1

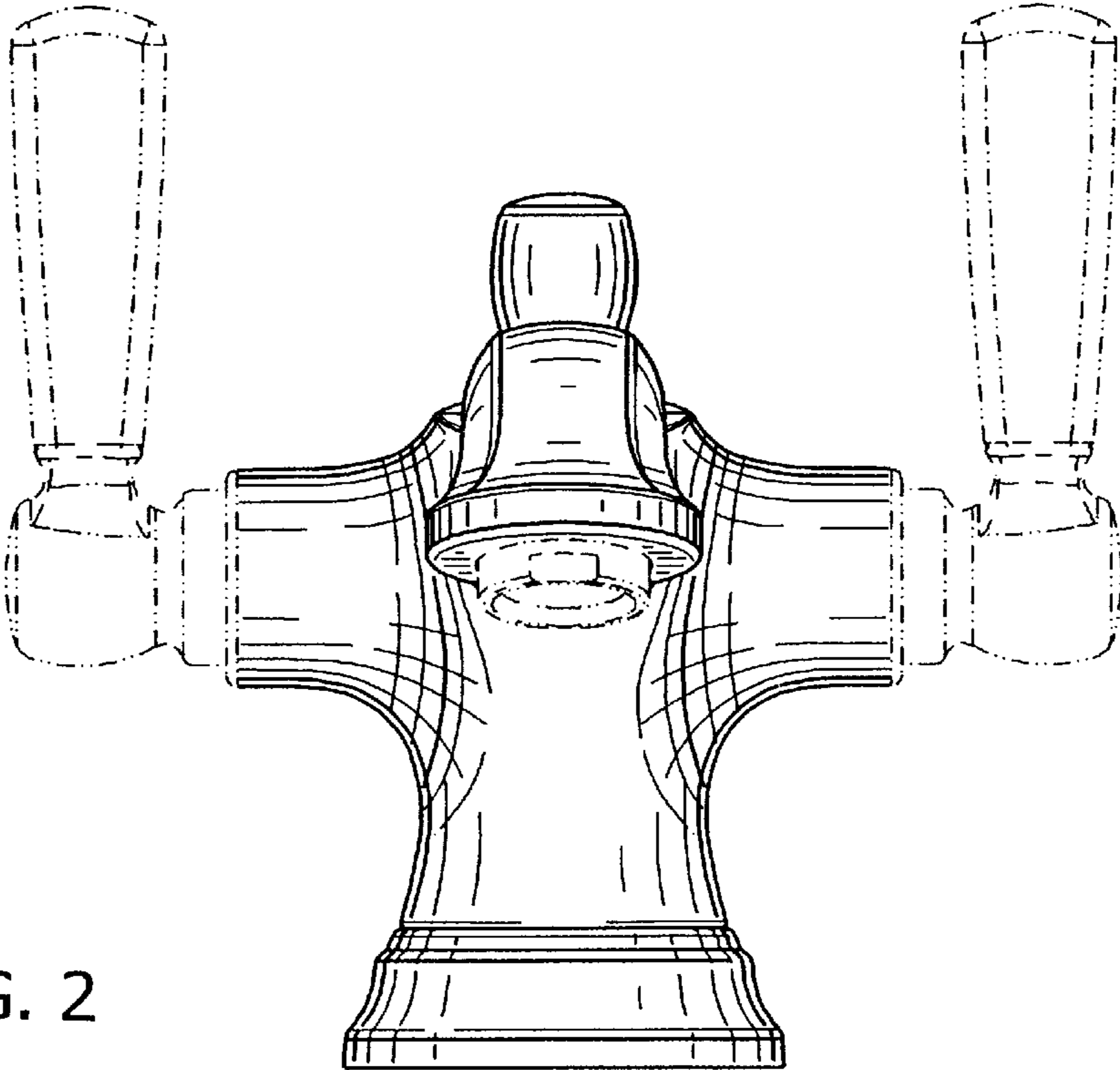
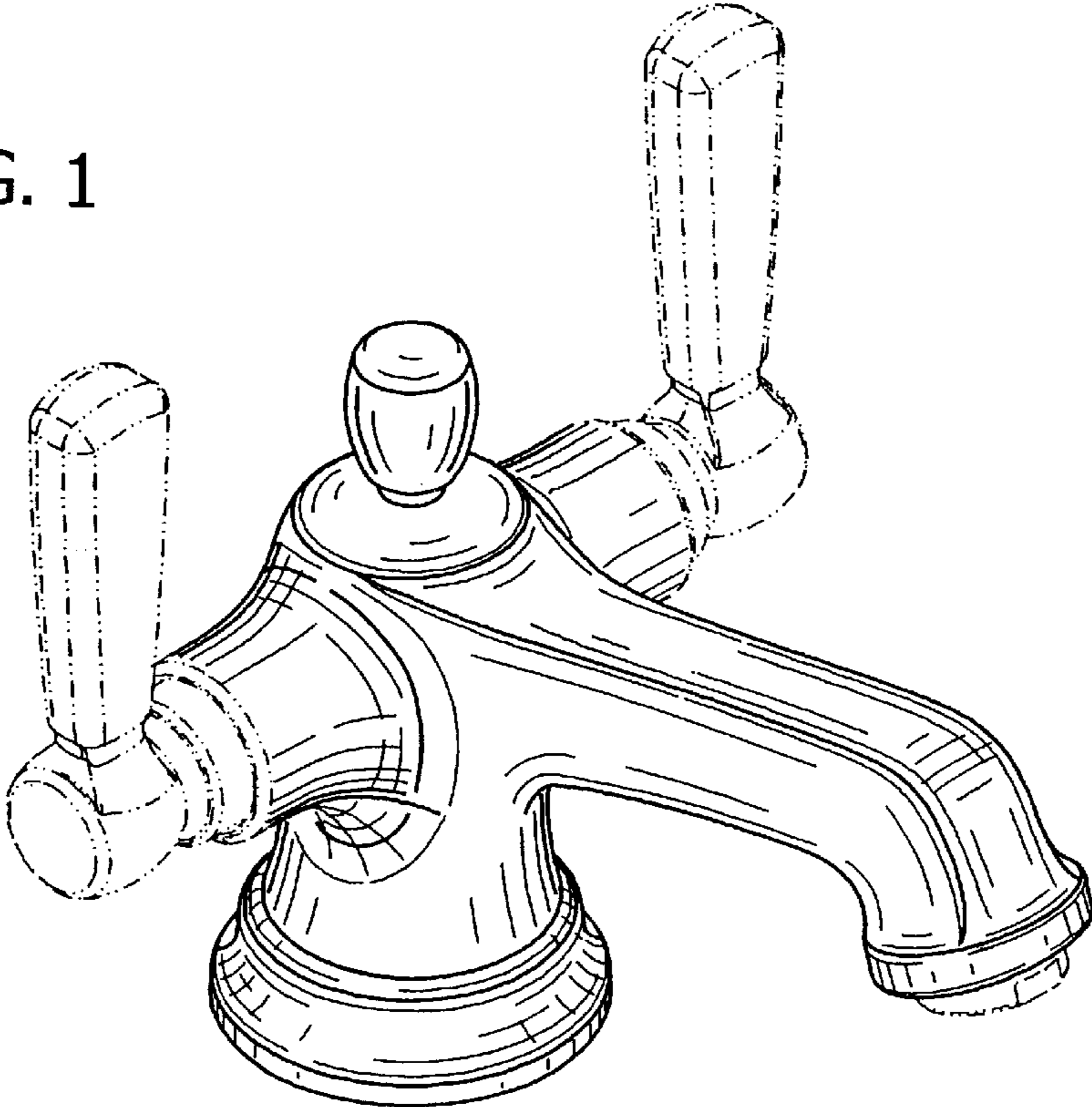


FIG. 2

FIG. 3

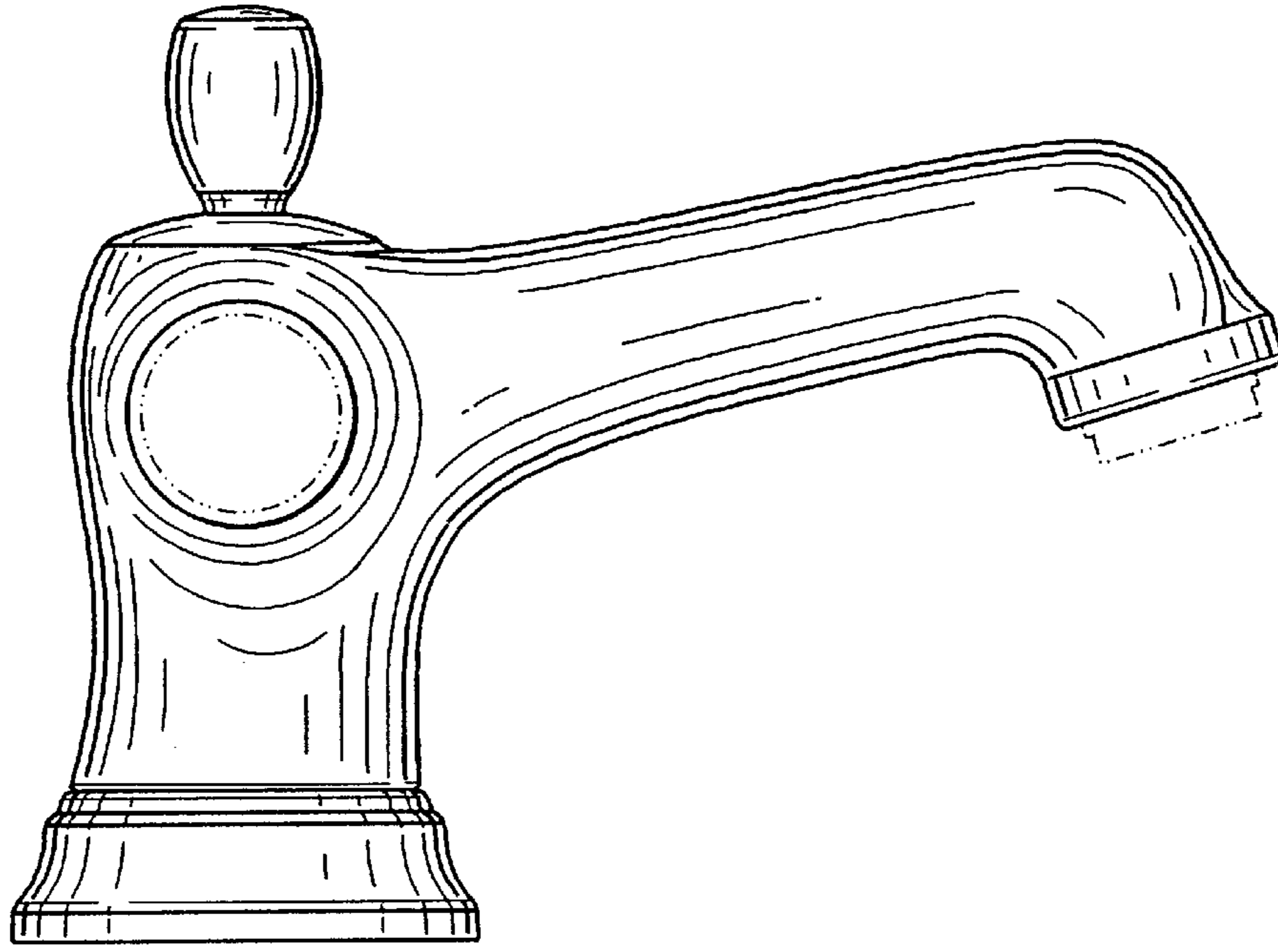
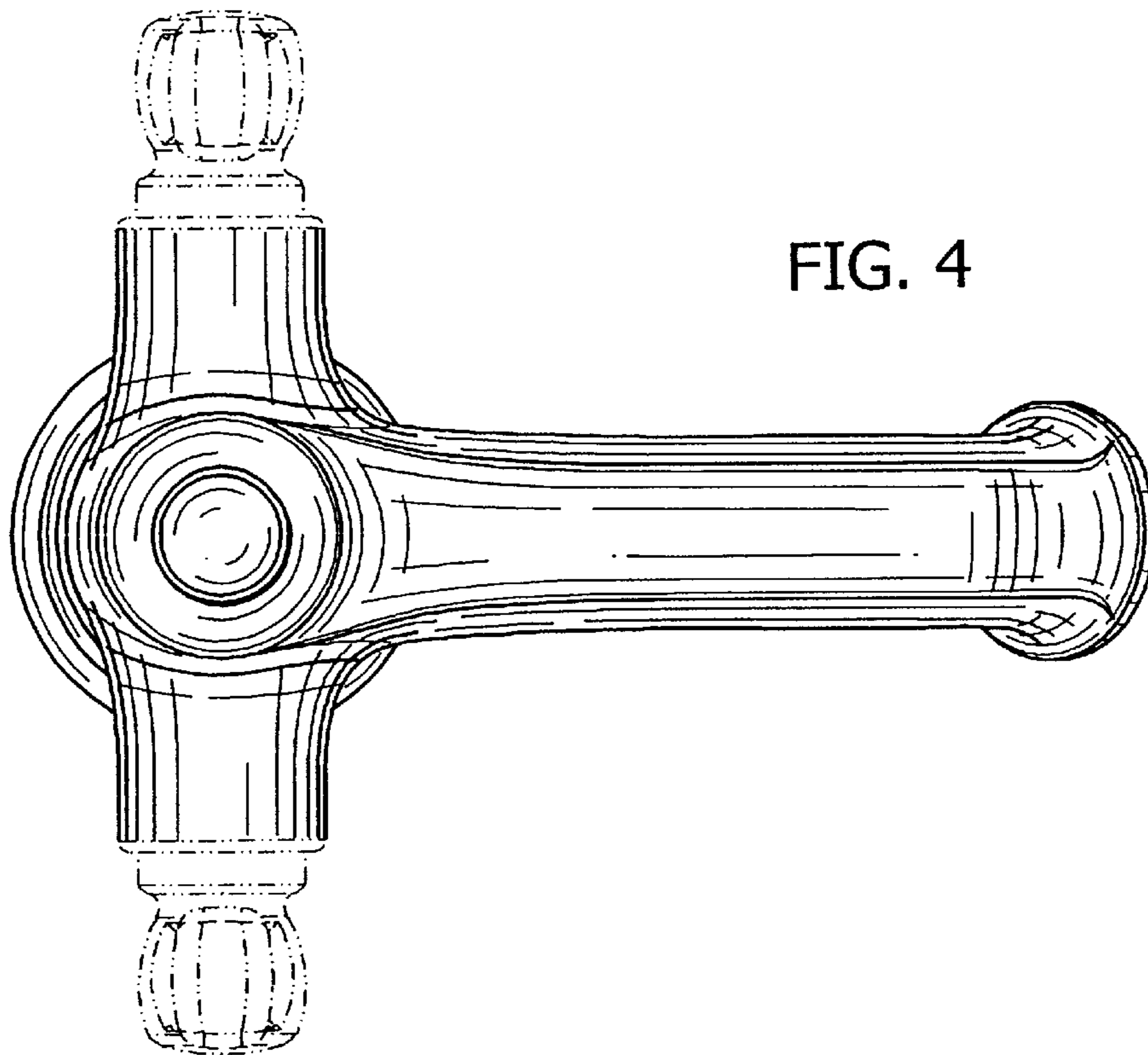


FIG. 4



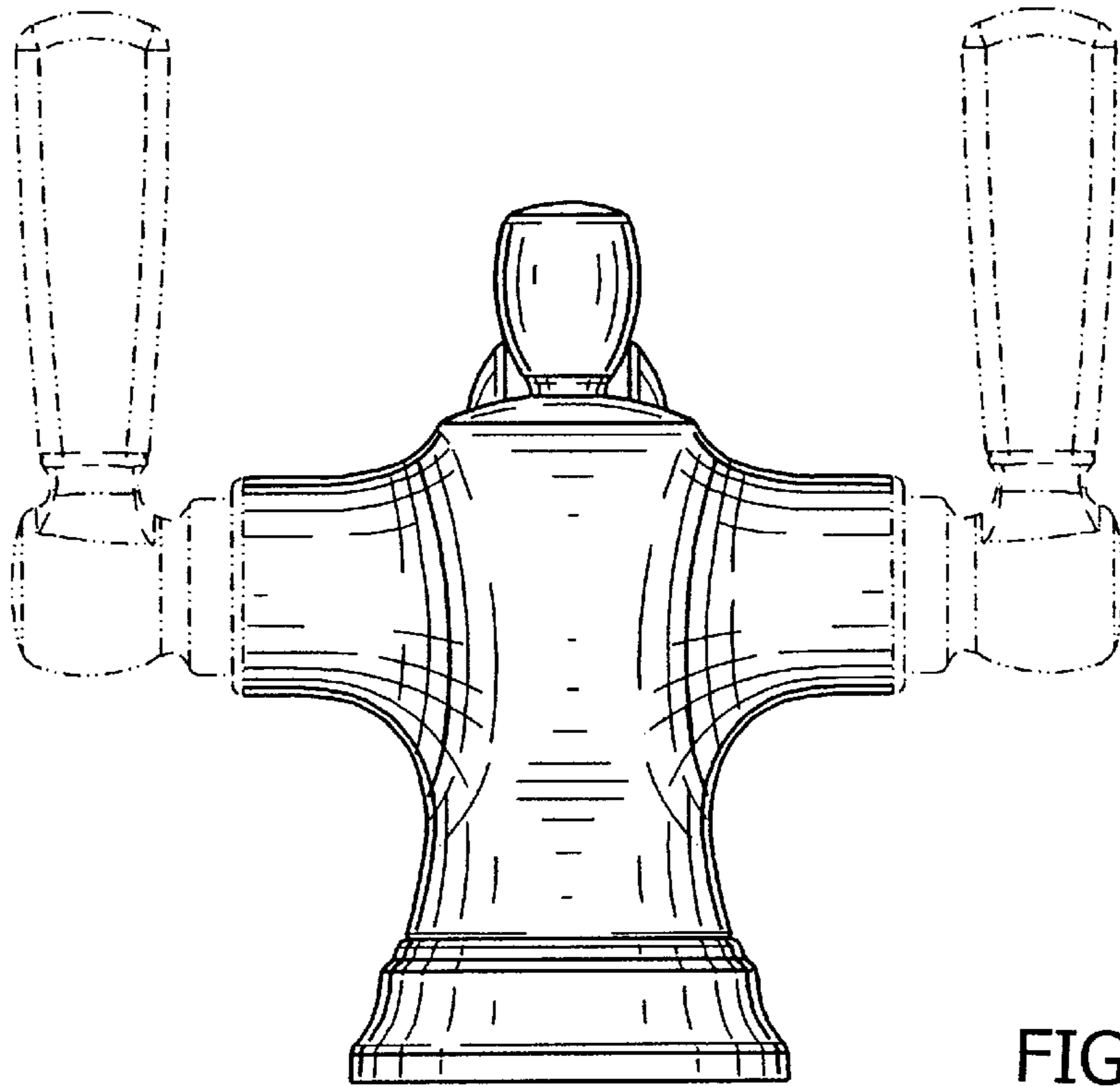


FIG. 5

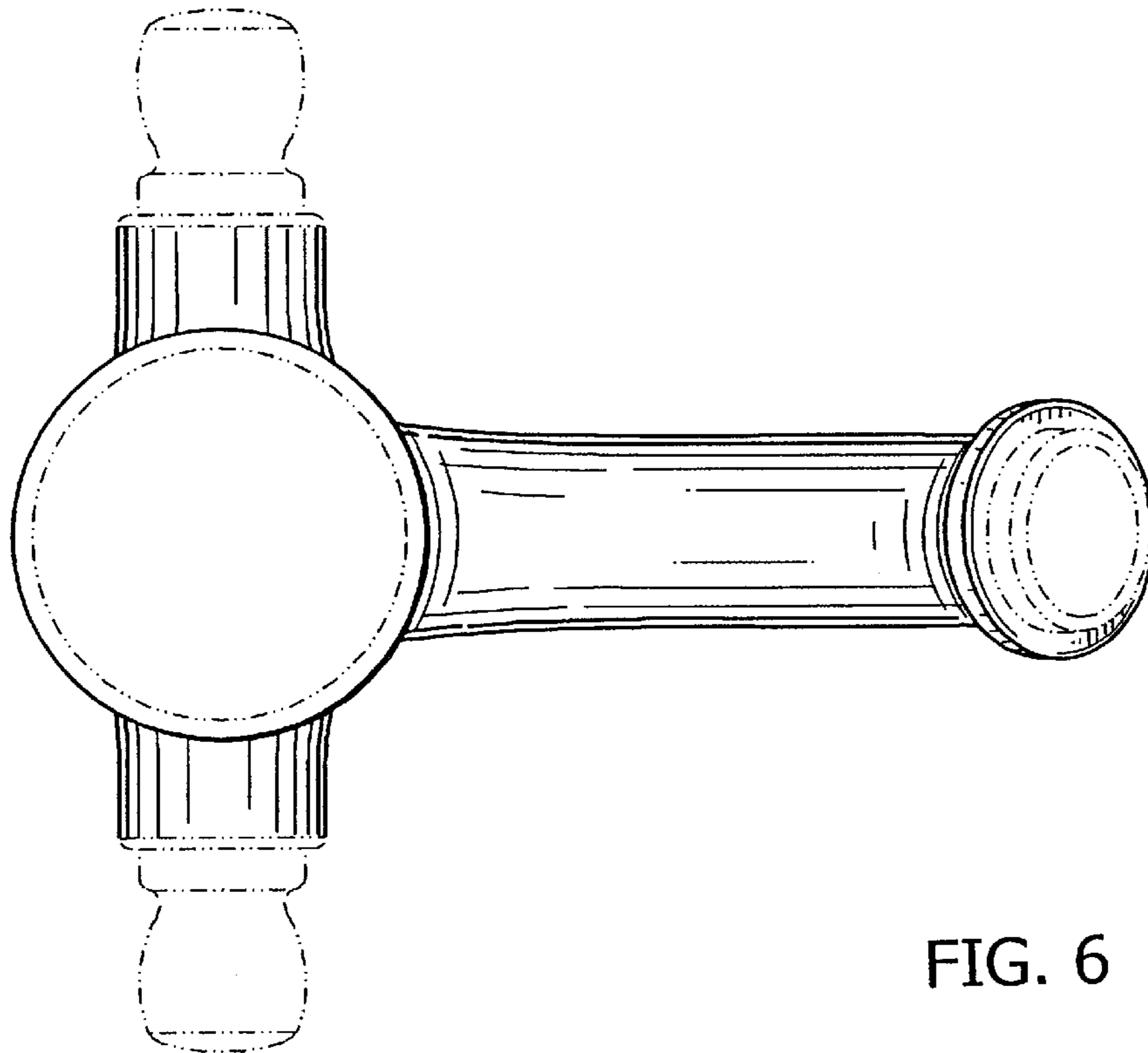


FIG. 6