



US00D532483S

(12) **United States Design Patent**
Lobermeier et al.

(10) **Patent No.:** **US D532,483 S**

(45) **Date of Patent:** **** Nov. 21, 2006**

(54) **DECK-MOUNT FAUCET**

D513,788 S * 1/2006 Lindholm D23/238
D514,665 S * 2/2006 Lindholm D23/238

(76) Inventors: **Hans Lobermeier**, Eichendorffstrasse
48, D-58706 Menden (DE); **Eric**
Falaise, Bülowstrasse 7, D-50733 Köln
(DE)

* cited by examiner

Primary Examiner—Louis S. Zarfes

Assistant Examiner—Gregory Andoll

(74) *Attorney, Agent, or Firm*—Andrew Wilford

(**) Term: **14 Years**

(21) Appl. No.: **29/258,610**

(57) **CLAIM**

(22) Filed: **Apr. 24, 2006**

The ornamental design for a deck-mount faucet, as shown.

(51) **LOC (8) Cl.** **23-01**

DESCRIPTION

(52) **U.S. Cl.** **D23/238**

(58) **Field of Classification Search** D23/238–257;
4/675–678; 137/801

FIG. 1 is a perspective view of the deck-mount faucet
according to the invention;

FIGS. 2 and 3 are front and rear views of the faucet;

FIGS. 4 and 5 are right- and left-hand side views of the
faucet; and,

FIGS. 6 and 7 are top and bottom views of the faucet.

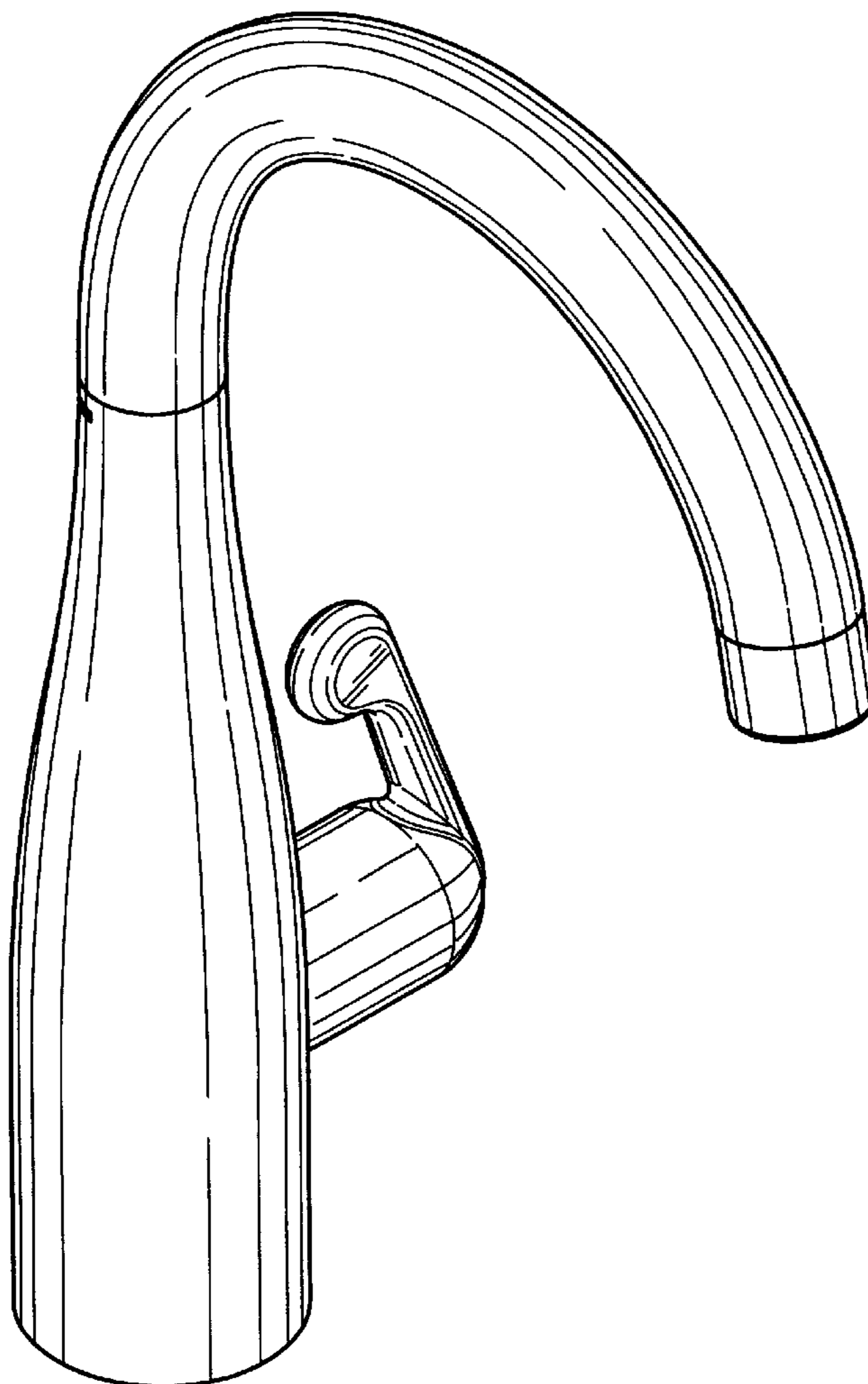
See application file for complete search history.

(56) **References Cited**

U.S. PATENT DOCUMENTS

D468,397 S * 1/2003 Czerwinski, Jr. D23/238

1 Claim, 5 Drawing Sheets



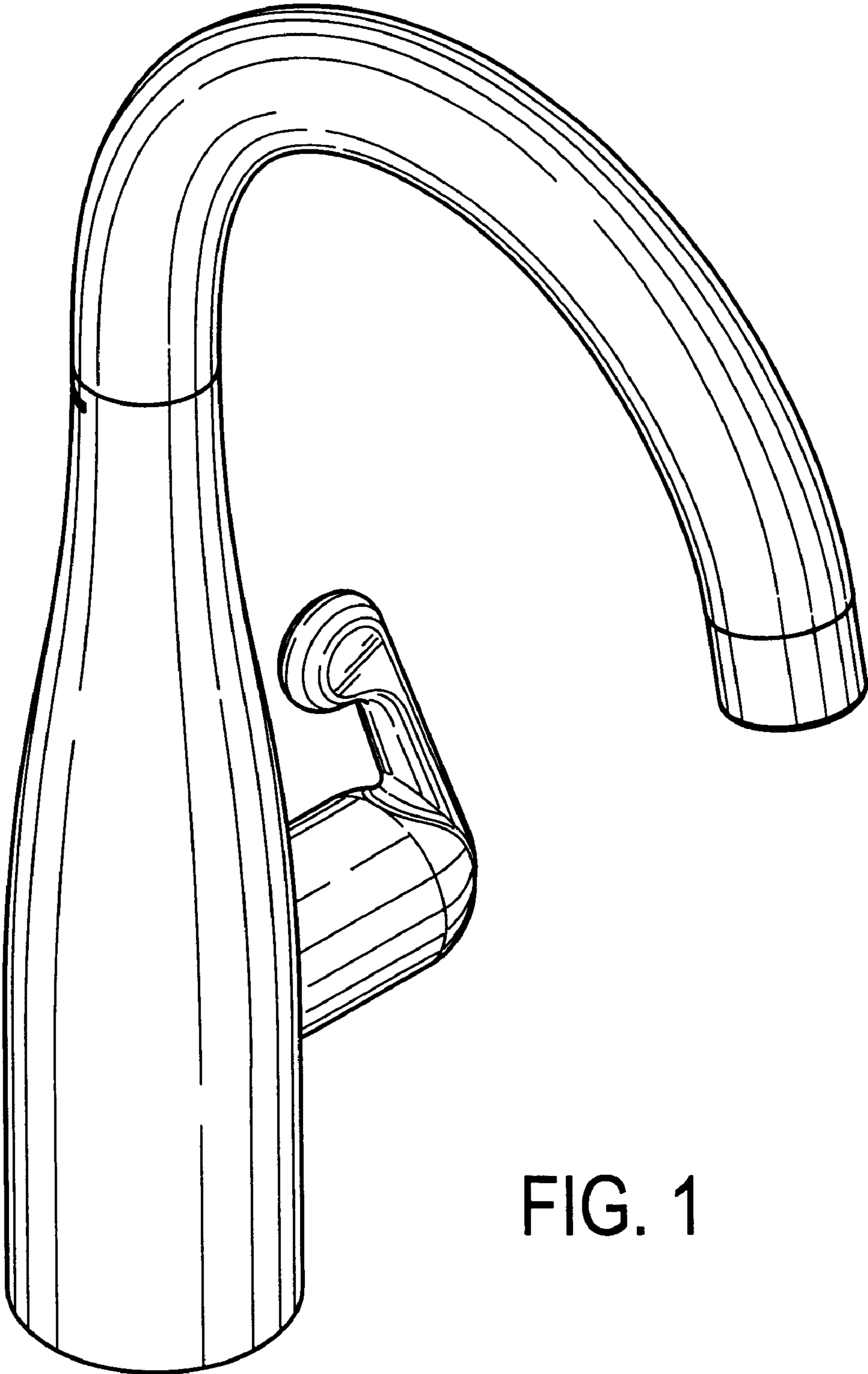


FIG. 1

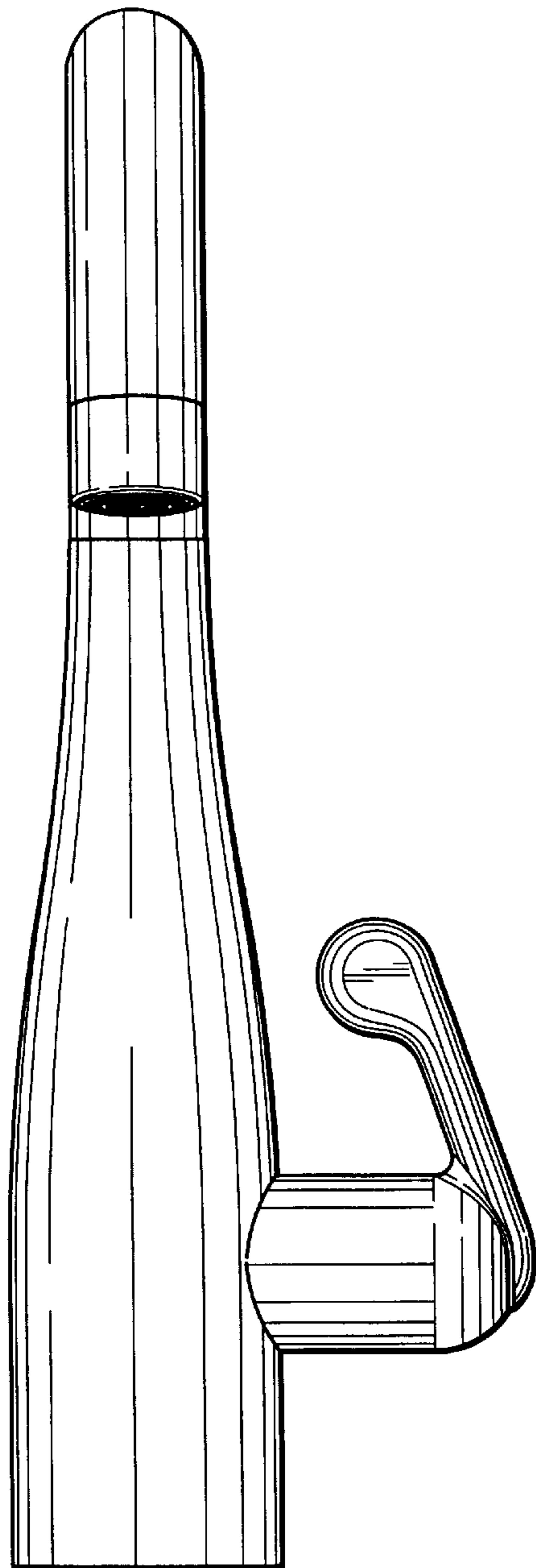


FIG. 2

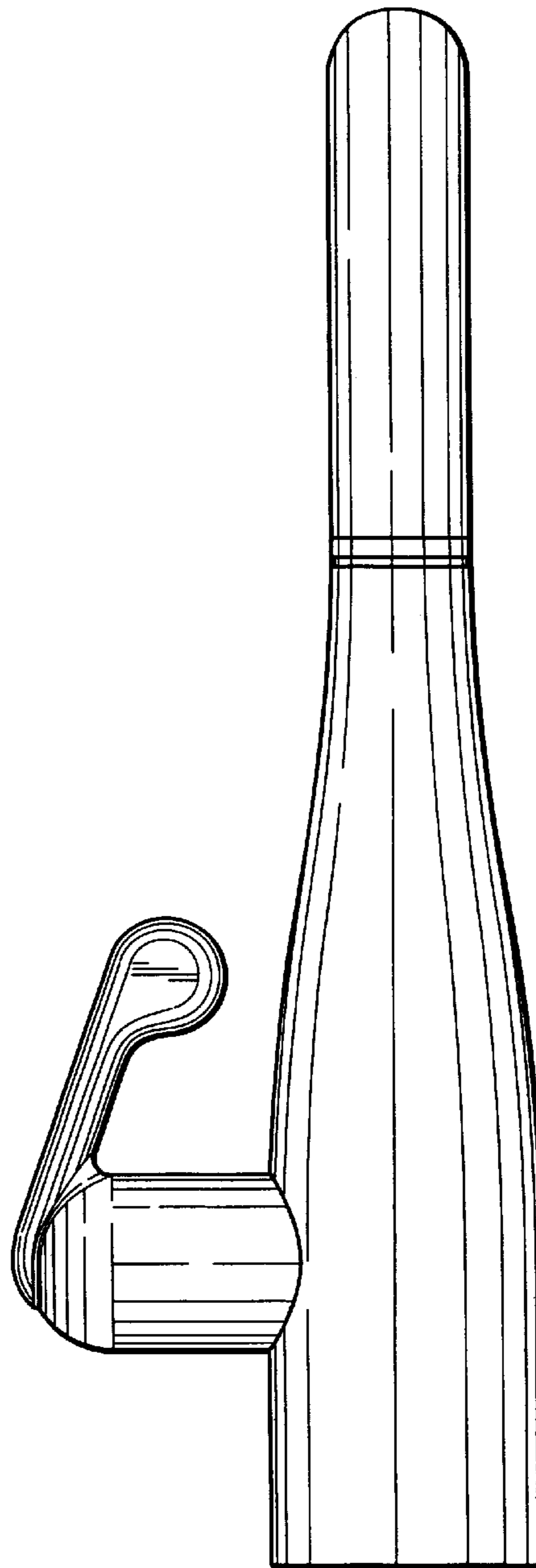


FIG. 3

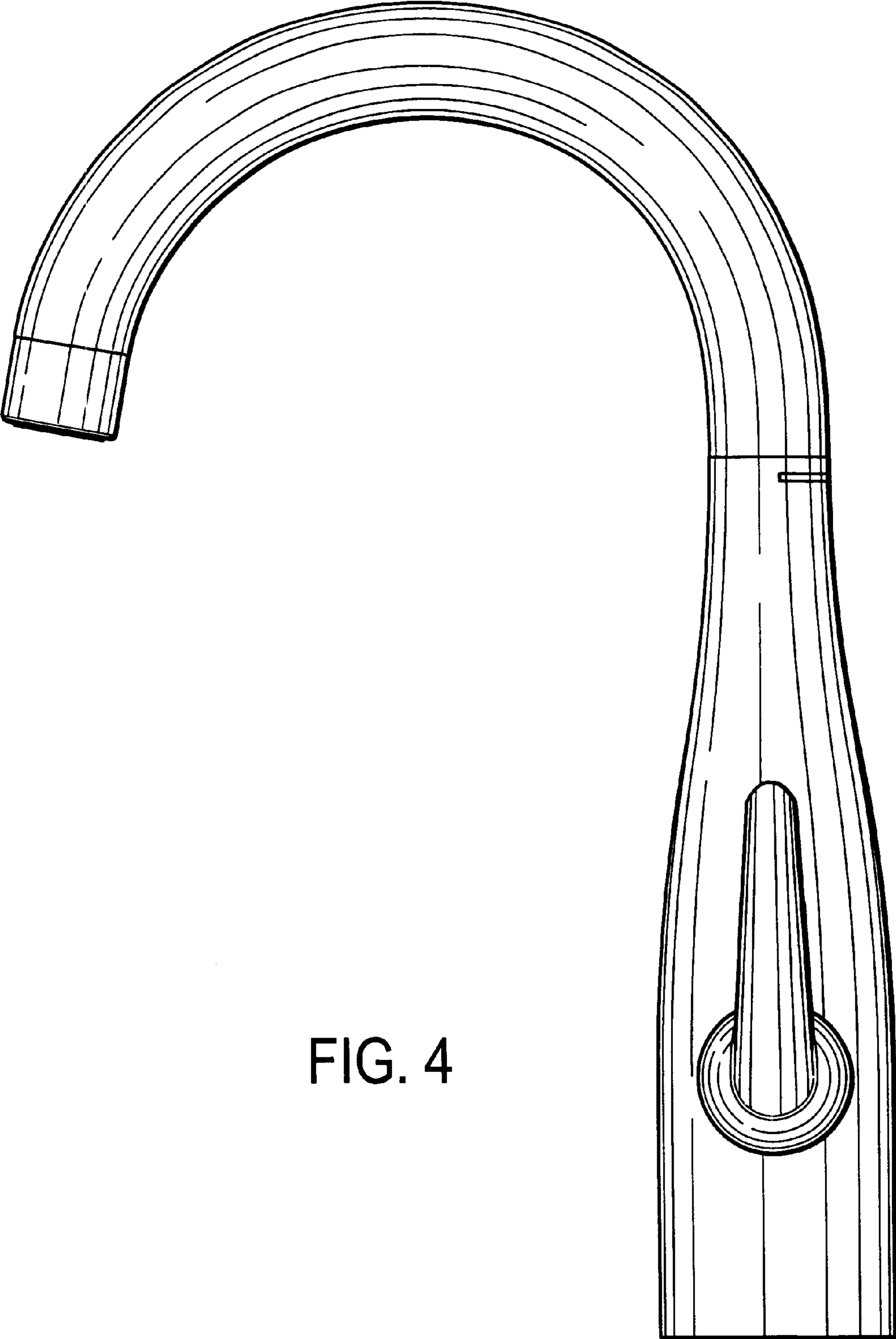


FIG. 4

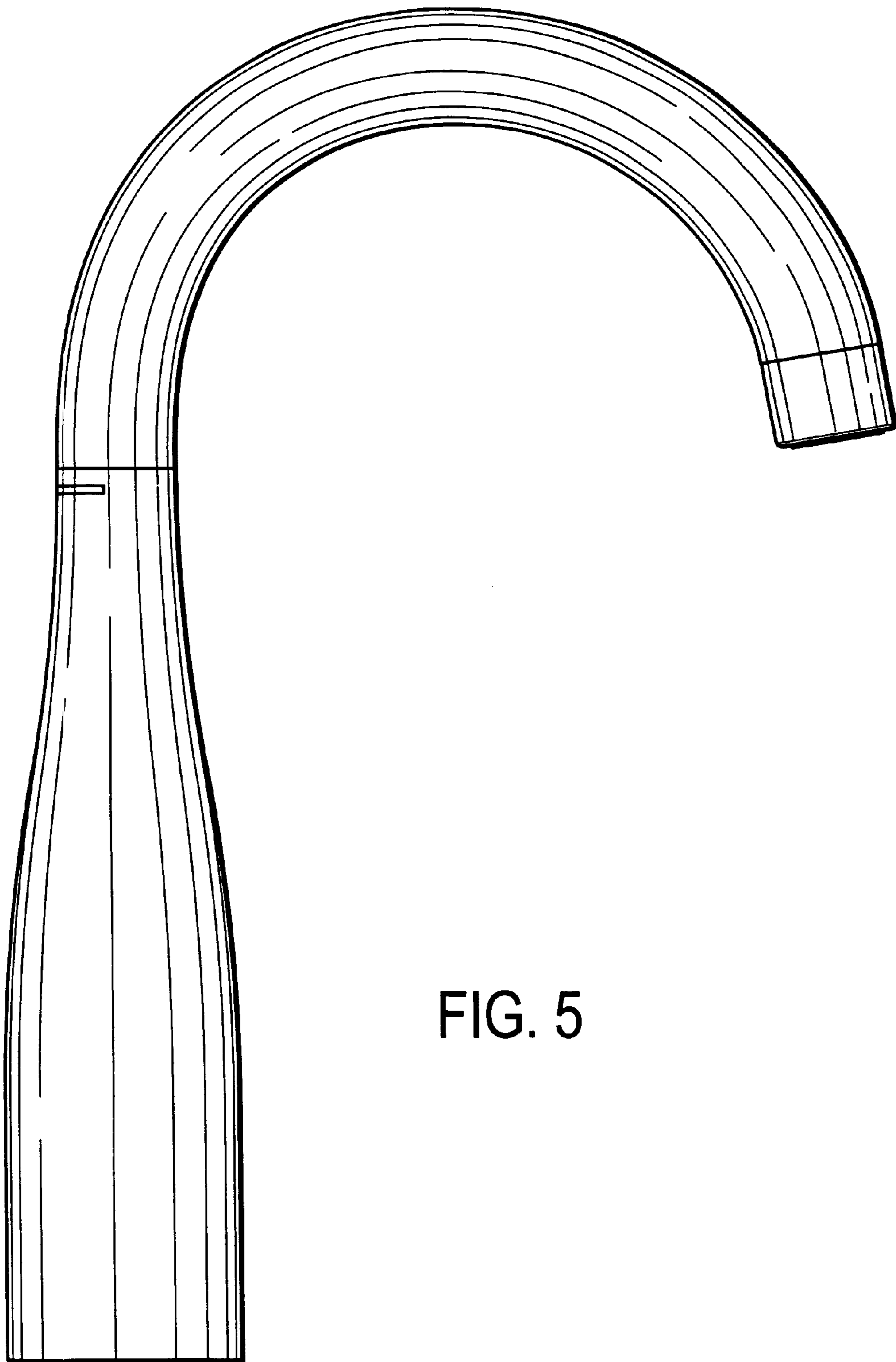


FIG. 5

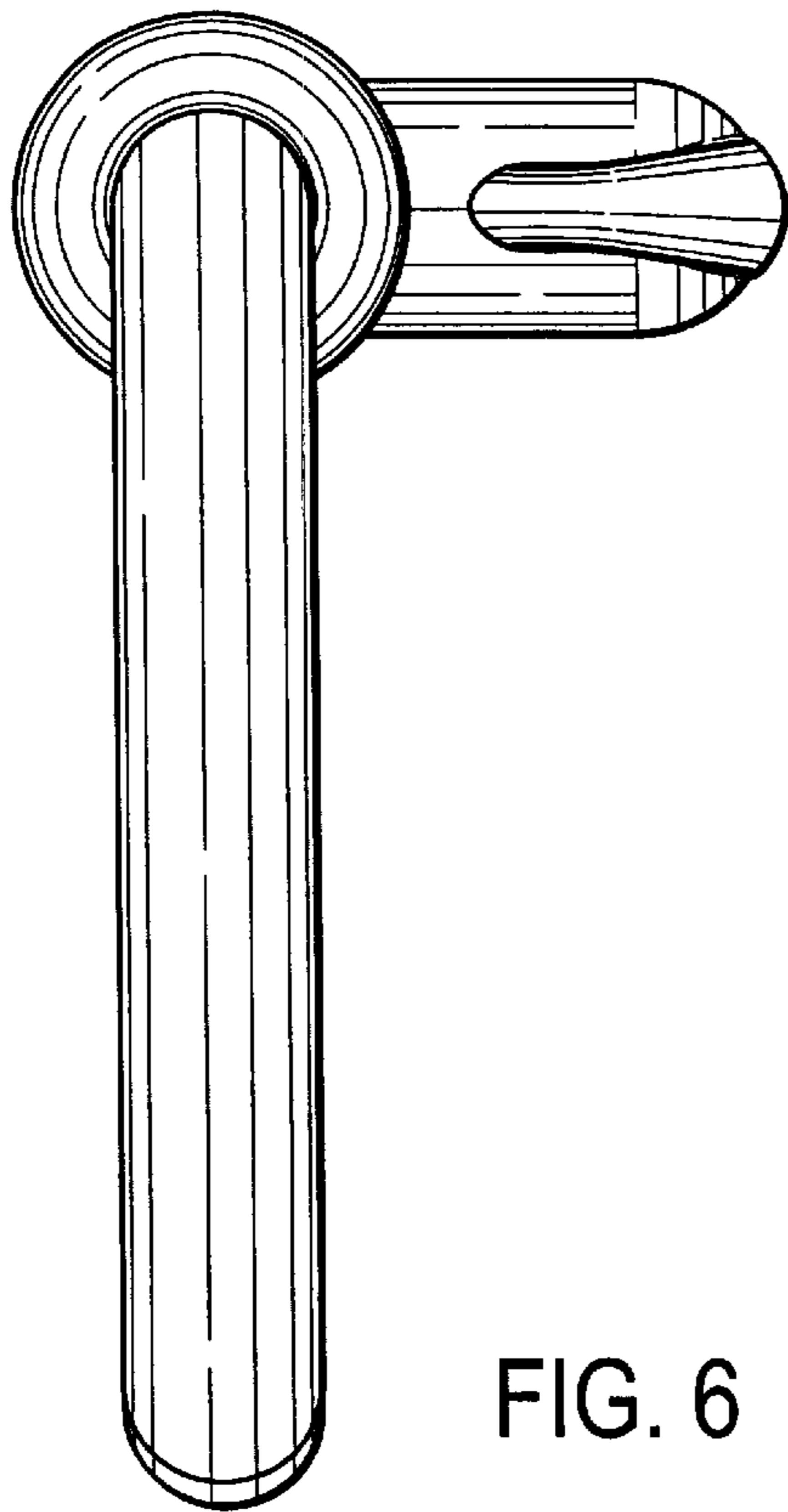


FIG. 6

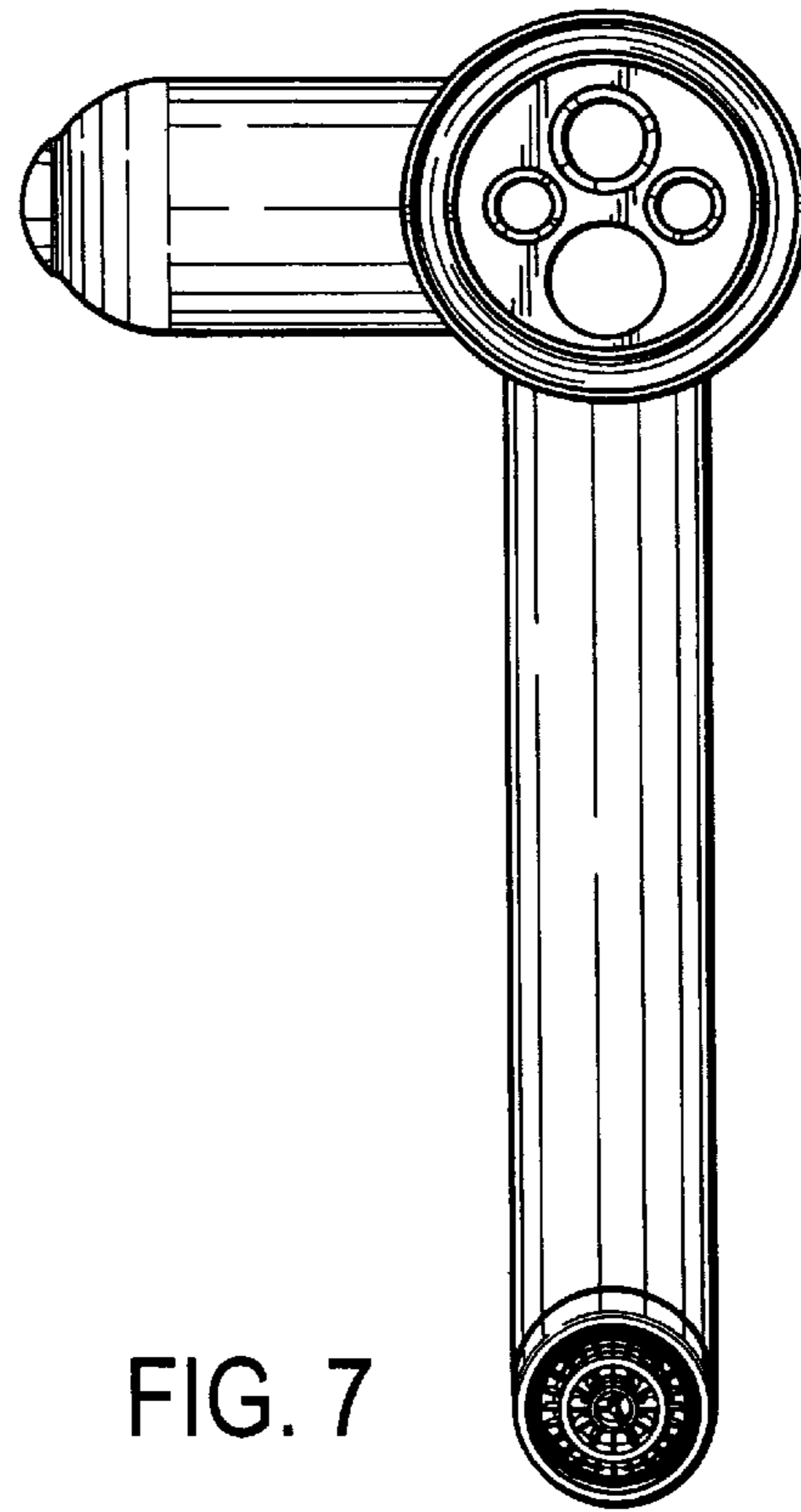


FIG. 7