



US00D532482S

(12) **United States Design Patent**
Fan

(10) **Patent No.:** **US D532,482 S**

(45) **Date of Patent:** **** Nov. 21, 2006**

(54) **SHOWERHEAD CONTROL VALVE**

6,618,872 B1 * 9/2003 Fan 4/615

(75) Inventor: **Chen-Yueh Fan**, Taipei (TW)

* cited by examiner

(73) Assignee: **Winner Double-H Co., Ltd.** (TW)

Primary Examiner—Ian Simmons

Assistant Examiner—Maurice Stevens

(**) Term: **14 Years**

(74) *Attorney, Agent, or Firm*—HersHKovitz & Associates;
Abe HersHKovitz

(21) Appl. No.: **29/235,504**

(57) **CLAIM**

(22) Filed: **Aug. 3, 2005**

The ornamental design for a showerhead control valve, as shown and described.

(51) **LOC (8) Cl.** **23-01**

DESCRIPTION

(52) **U.S. Cl.** **D23/235**

(58) **Field of Classification Search** D23/233–237,
D23/244–250; 4/559, 596, 597, 619, 604–605;
239/444–447

See application file for complete search history.

FIG. 1 is a perspective view of a showerhead control valve showing my new design;

FIG. 2 is a front view thereof;

FIG. 3 is a rear view thereof;

FIG. 4 is a right side view thereof;

FIG. 5 is a left side view thereof;

FIG. 6 is bottom view thereof;

FIG. 7 is a top view thereof; and,

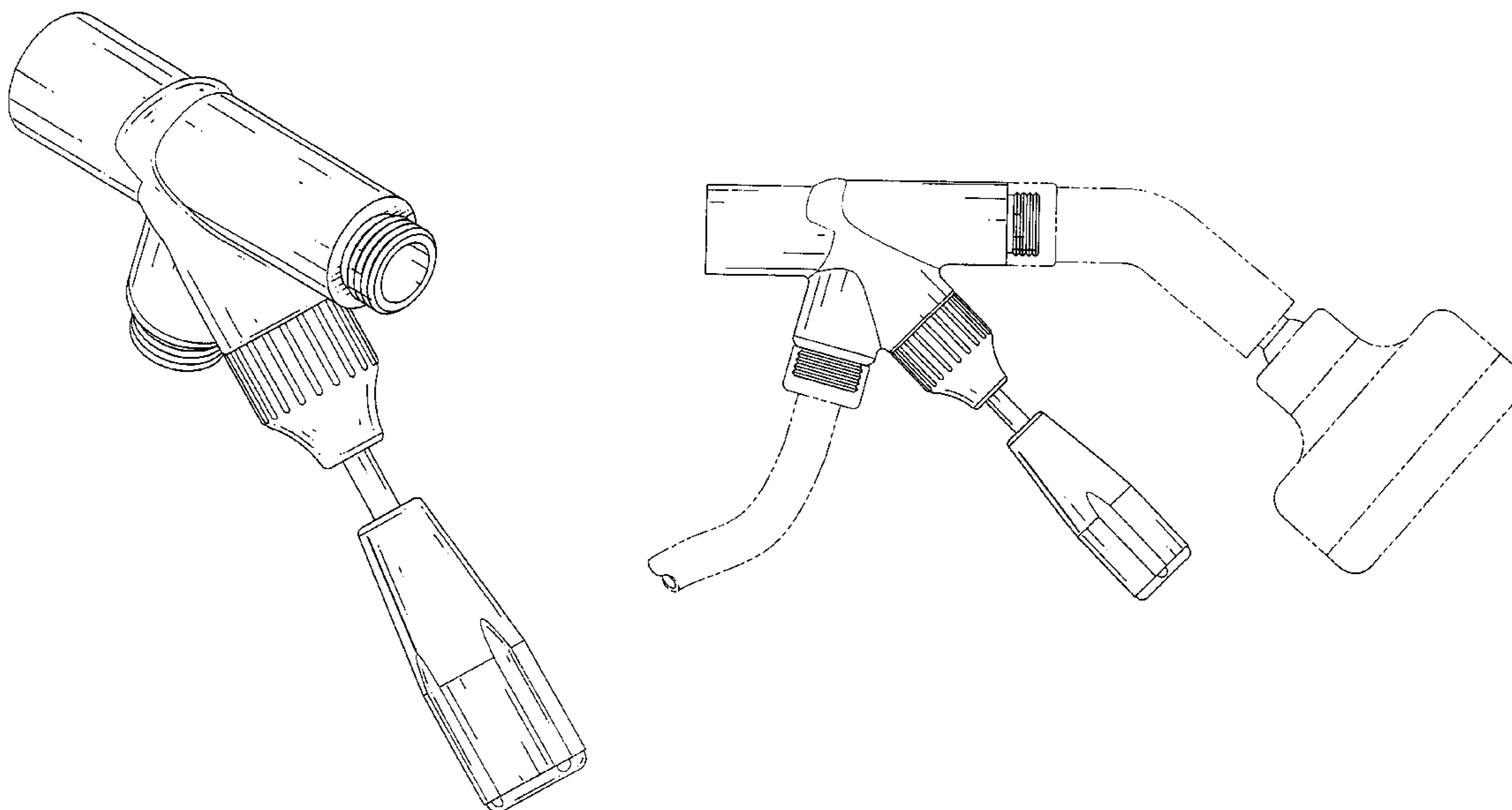
FIG. 8 is a left side view thereof with a fixed shower nozzle and a hose wherein the phantom lines are for reference only and form no part of the invention.

(56) **References Cited**

U.S. PATENT DOCUMENTS

- 2,965,313 A * 12/1960 Jay 239/581.1
- 5,368,227 A * 11/1994 McGinnis 236/92 R
- D355,705 S * 2/1995 Moineau et al. D23/233
- 5,441,075 A * 8/1995 Clare 137/454.6

1 Claim, 8 Drawing Sheets



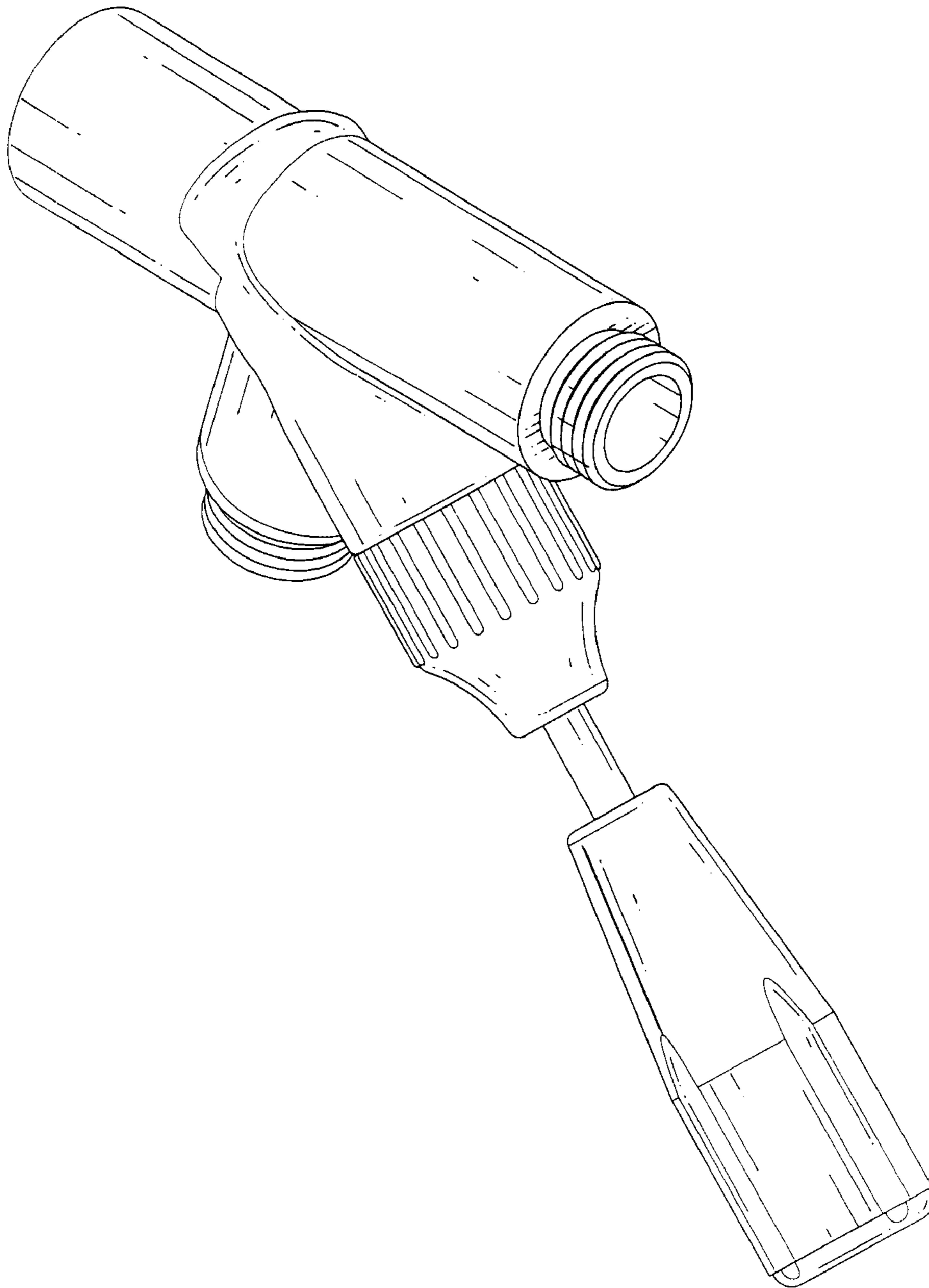


FIG. 1

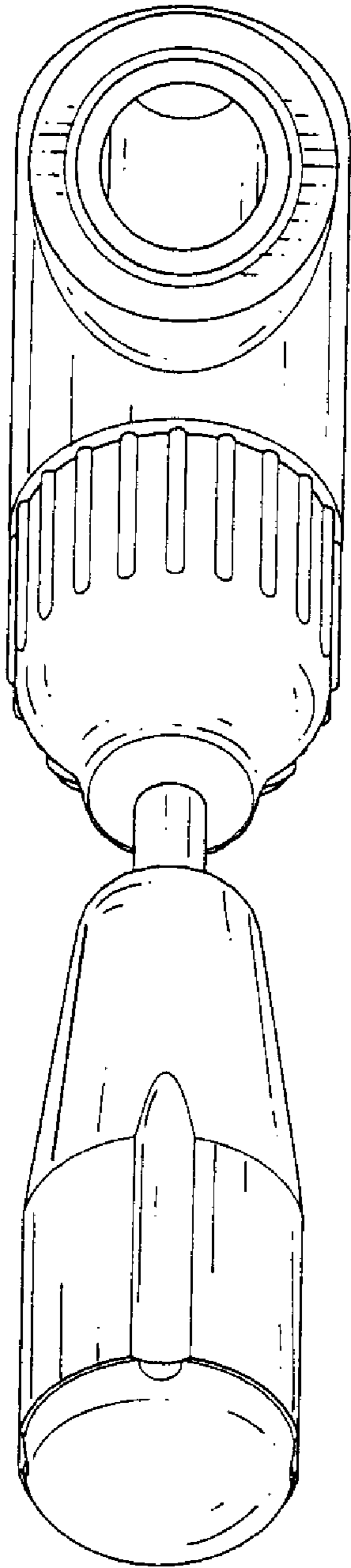


FIG. 2

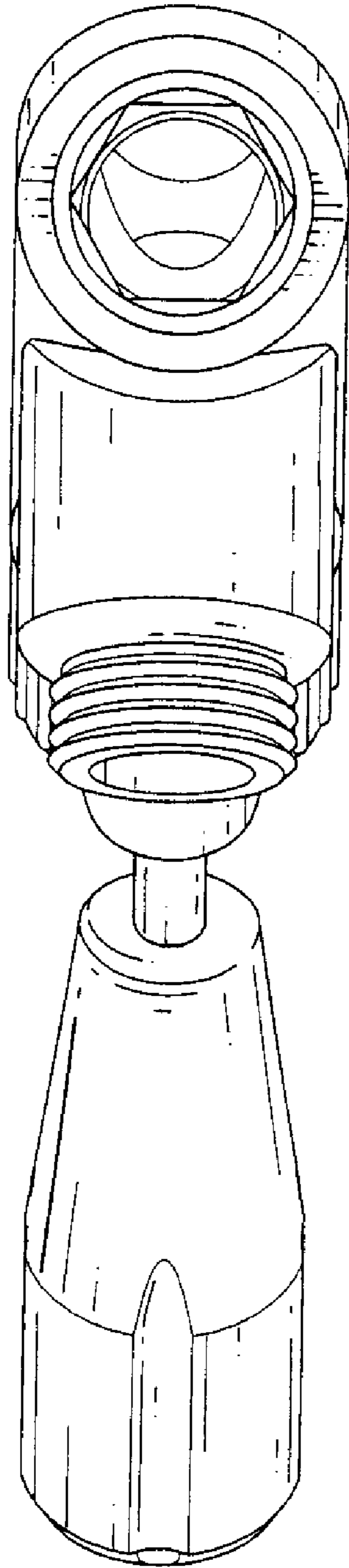


FIG. 3

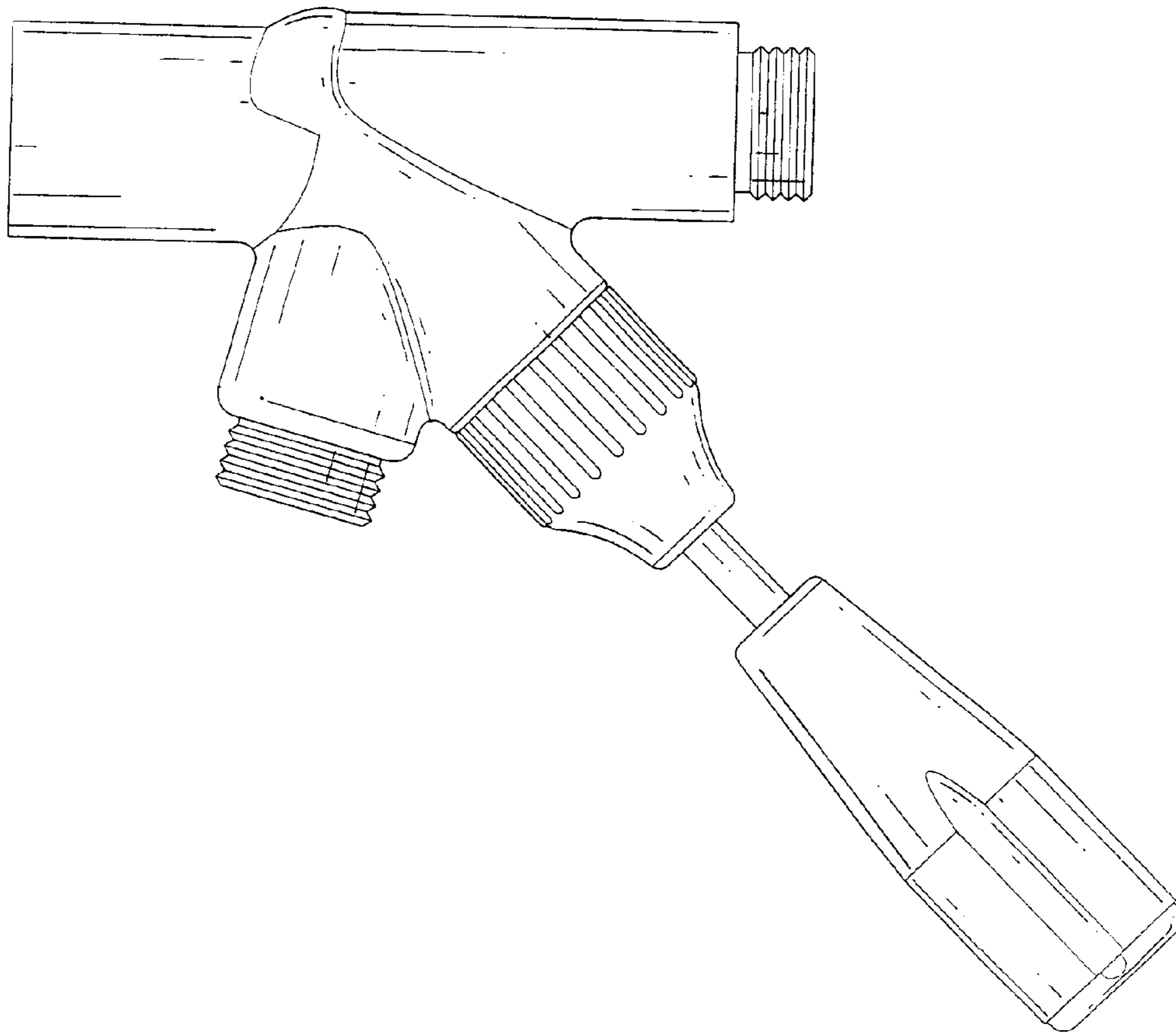


FIG. 4

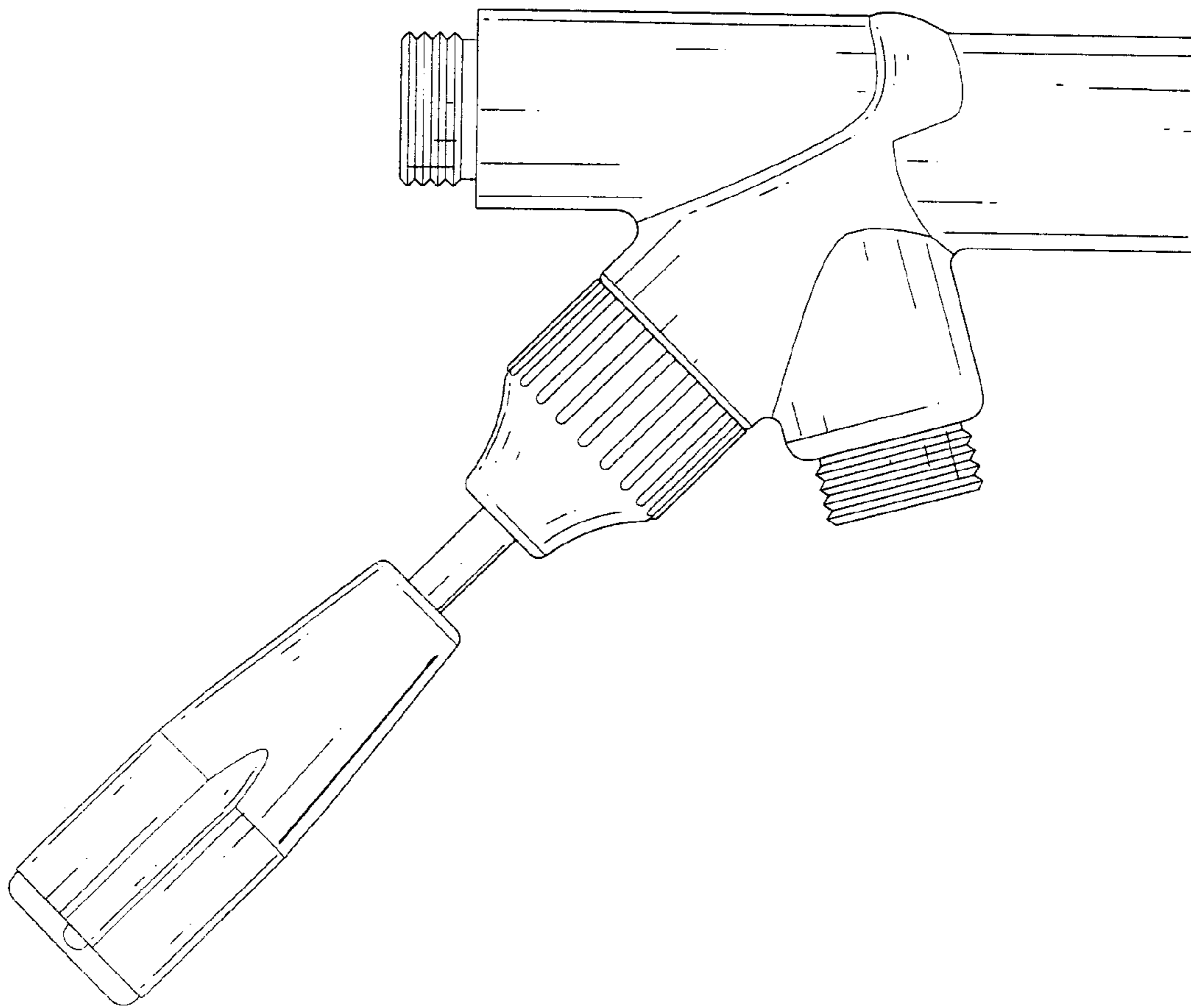


FIG. 5

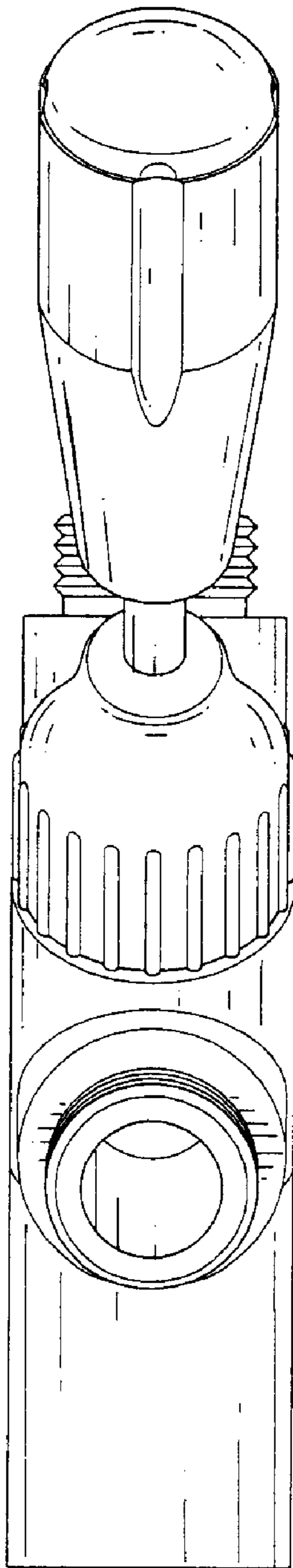


FIG. 6

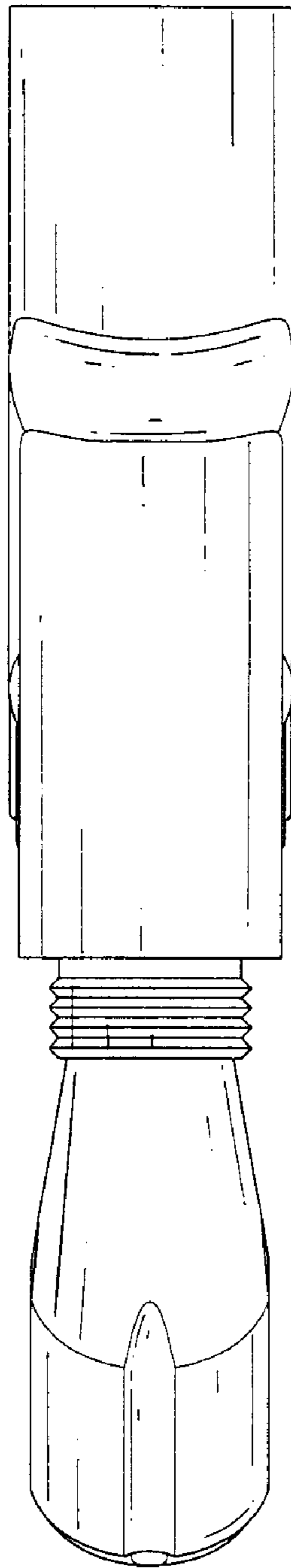


FIG. 7

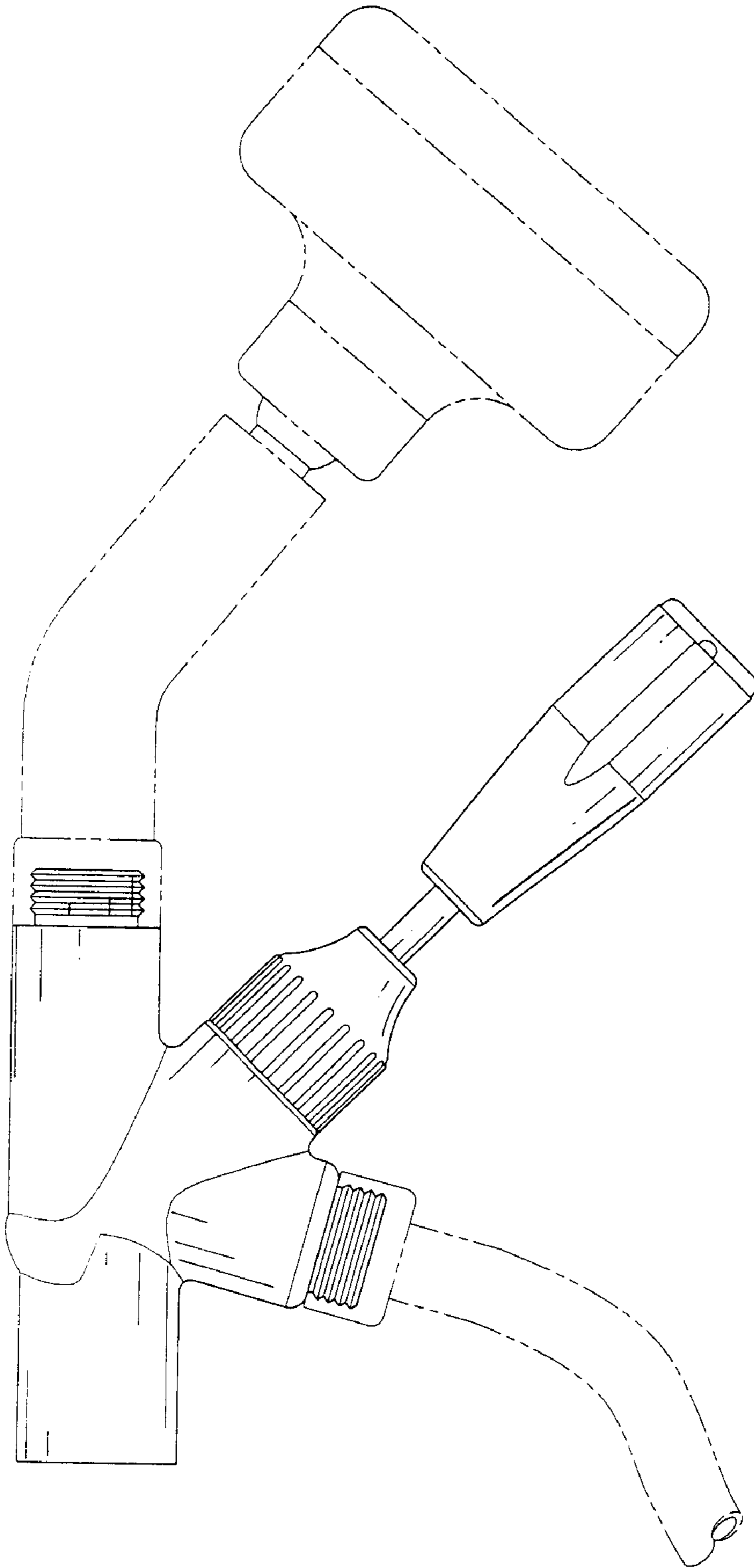


FIG. 8