



US00D532481S

(12) **United States Design Patent**
Hamada

(10) **Patent No.:** **US D532,481 S**

(45) **Date of Patent:** **** Nov. 21, 2006**

(54) **VALVE**

(75) **Inventor:** **Takeshi Hamada**, Nobeoka (JP)

(73) **Assignee:** **Asahi Organic Chemicals Industry Co., Ltd.**, Nobeoka (JP)

(**) **Term:** **14 Years**

(21) **Appl. No.:** **29/230,832**

(22) **Filed:** **May 27, 2005**

(30) **Foreign Application Priority Data**

Nov. 30, 2004 (JP) 2004-036462

(51) **LOC (8) Cl.** **23-01**

(52) **U.S. Cl.** **D23/233**

(58) **Field of Classification Search** D23/233-237,
D23/244-249; 137/884, 881, 871, 868, 867,
137/864, 861, 636, 596.16, 596.13, 625.64,
137/625.11, 595

See application file for complete search history.

(56) **References Cited**

U.S. PATENT DOCUMENTS

2,194,263 A * 3/1940 Allen et al. 251/146

D312,120 S * 11/1990 Askew D23/245

D419,216 S * 1/2000 Sato et al. D23/233
2003/0155024 A1 * 8/2003 Hanada et al. 137/861
2005/0072481 A1 * 4/2005 Hanada et al. 137/884
2005/0236051 A1 * 10/2005 McBeth et al. 137/625.11

* cited by examiner

Primary Examiner—Ian Simmons

Assistant Examiner—Maurice Stevens

(74) *Attorney, Agent, or Firm*—Buchanan Ingersoll & Rooney PC

(57) **CLAIM**

The ornamental design for a valve, as shown and described.

DESCRIPTION

FIG. 1 is a front perspective view of a valve showing my new design;

FIG. 2 is a front elevational view thereof;

FIG. 3 is a rear elevational view thereof;

FIG. 4 is a left side elevational view thereof;

FIG. 5 is a right side elevational view thereof;

FIG. 6 is a top plan view thereof; and,

FIG. 7 is a bottom plan view thereof.

The broken lines are for illustrative purposes only and form no part of the claimed design.

1 Claim, 3 Drawing Sheets

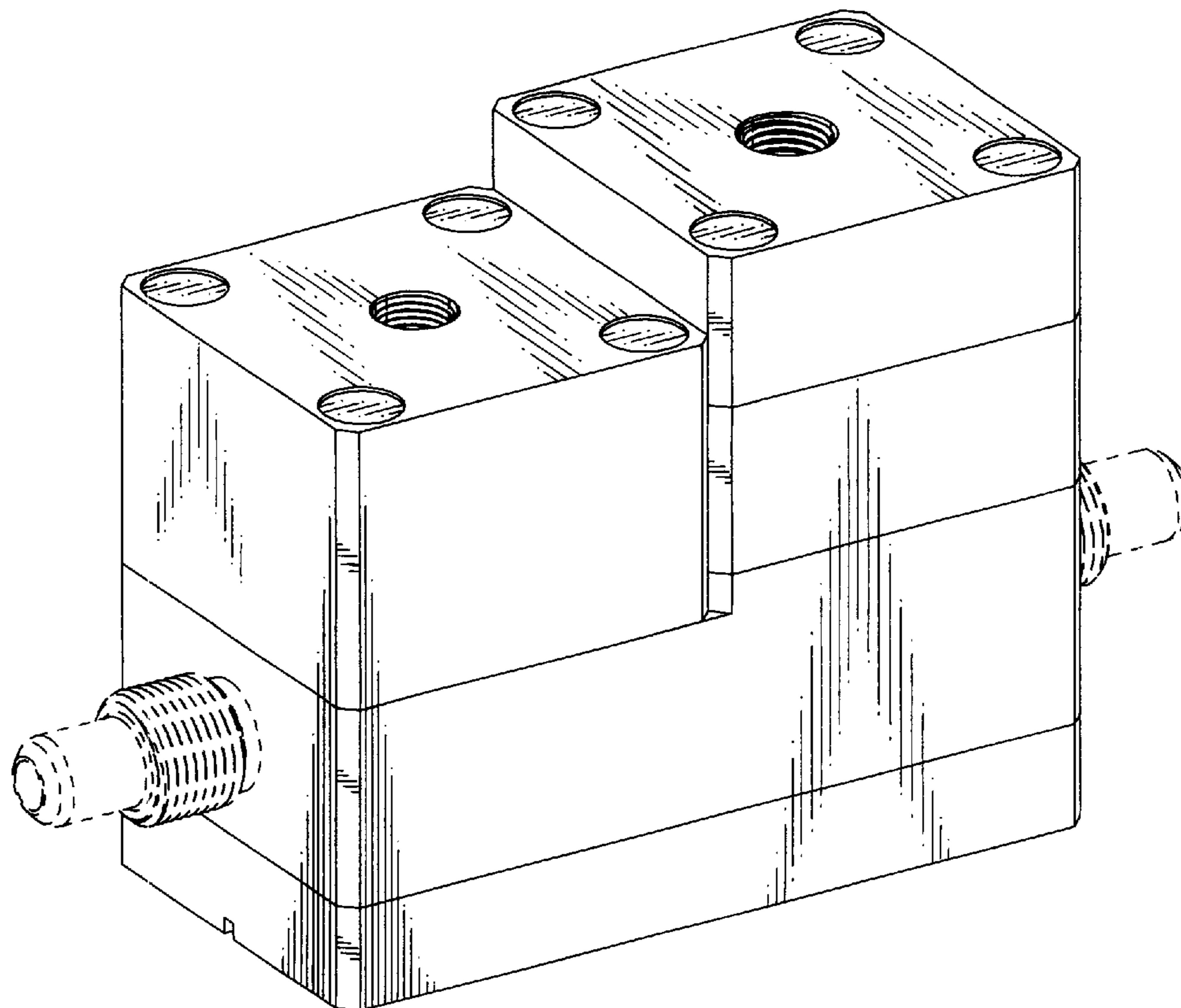


Fig.1

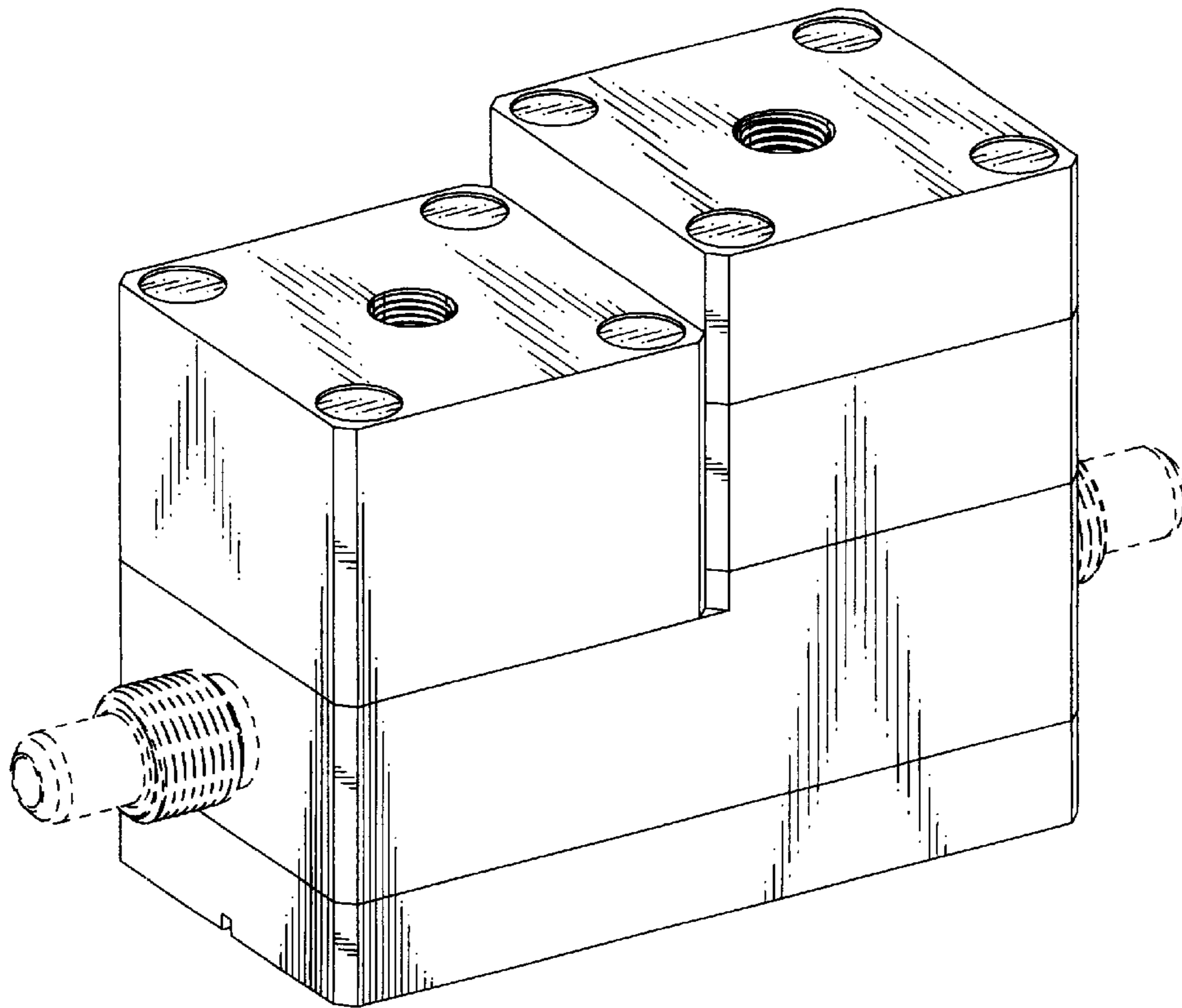


Fig.2

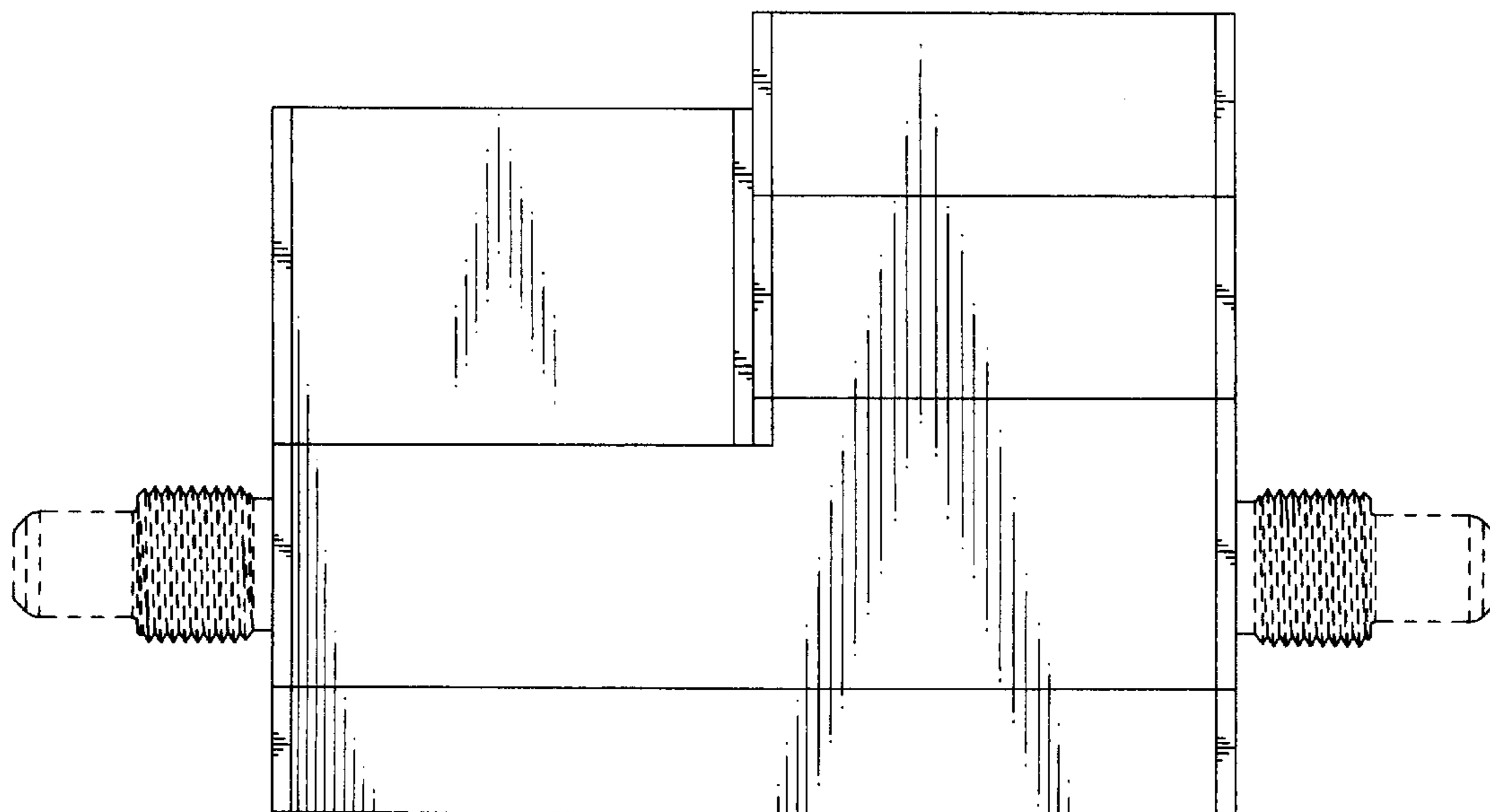


Fig.3

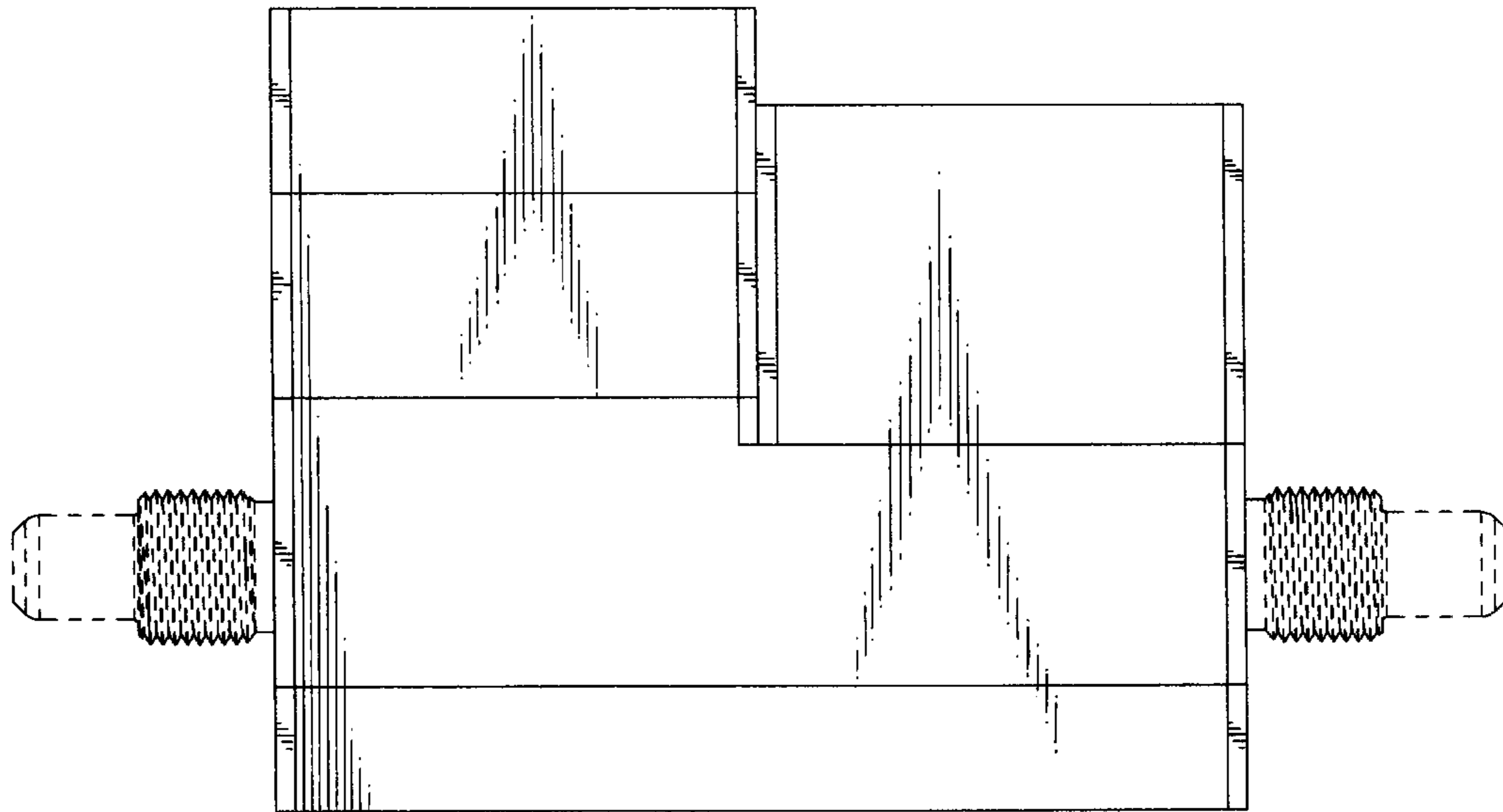


Fig.4

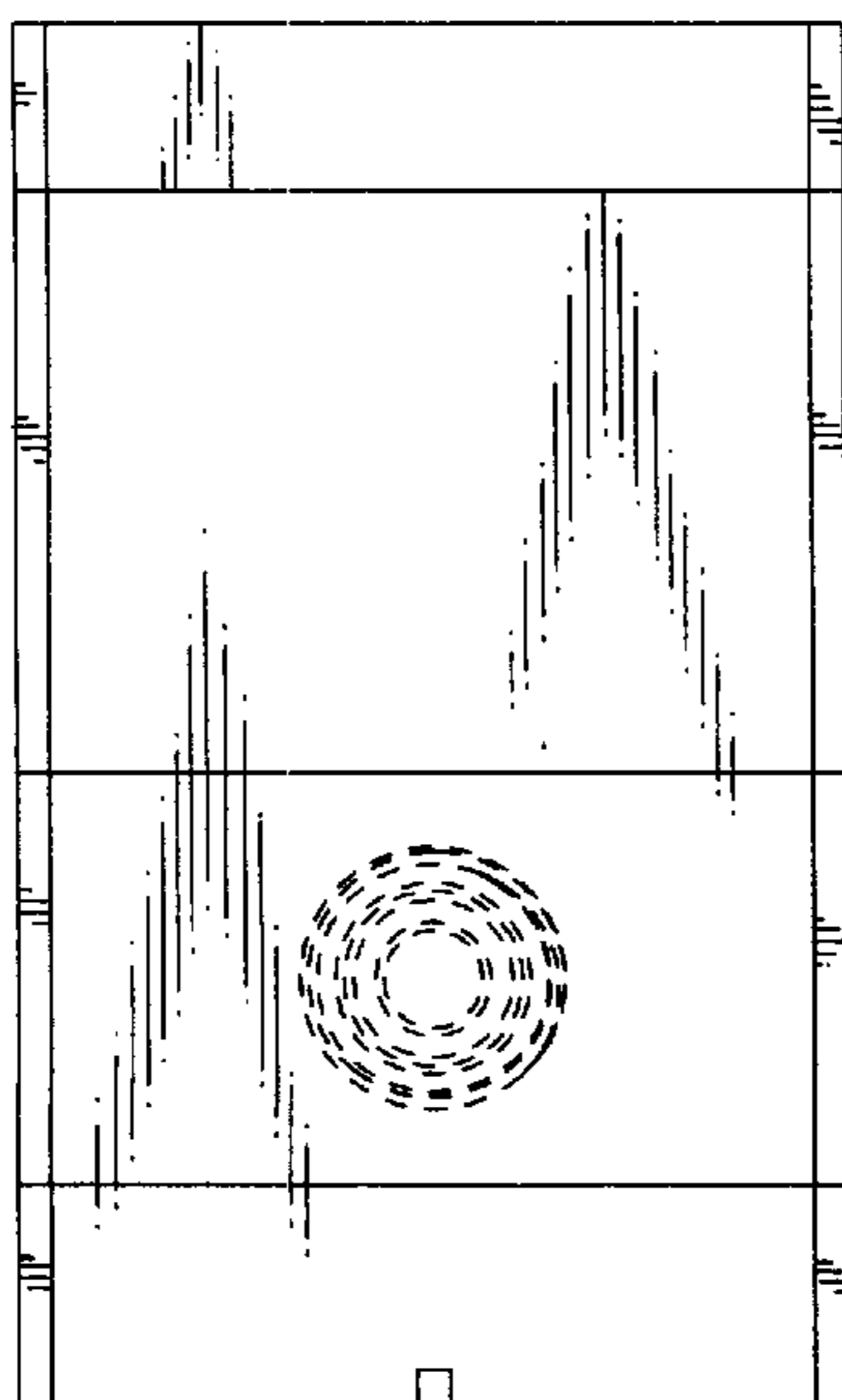


Fig.5

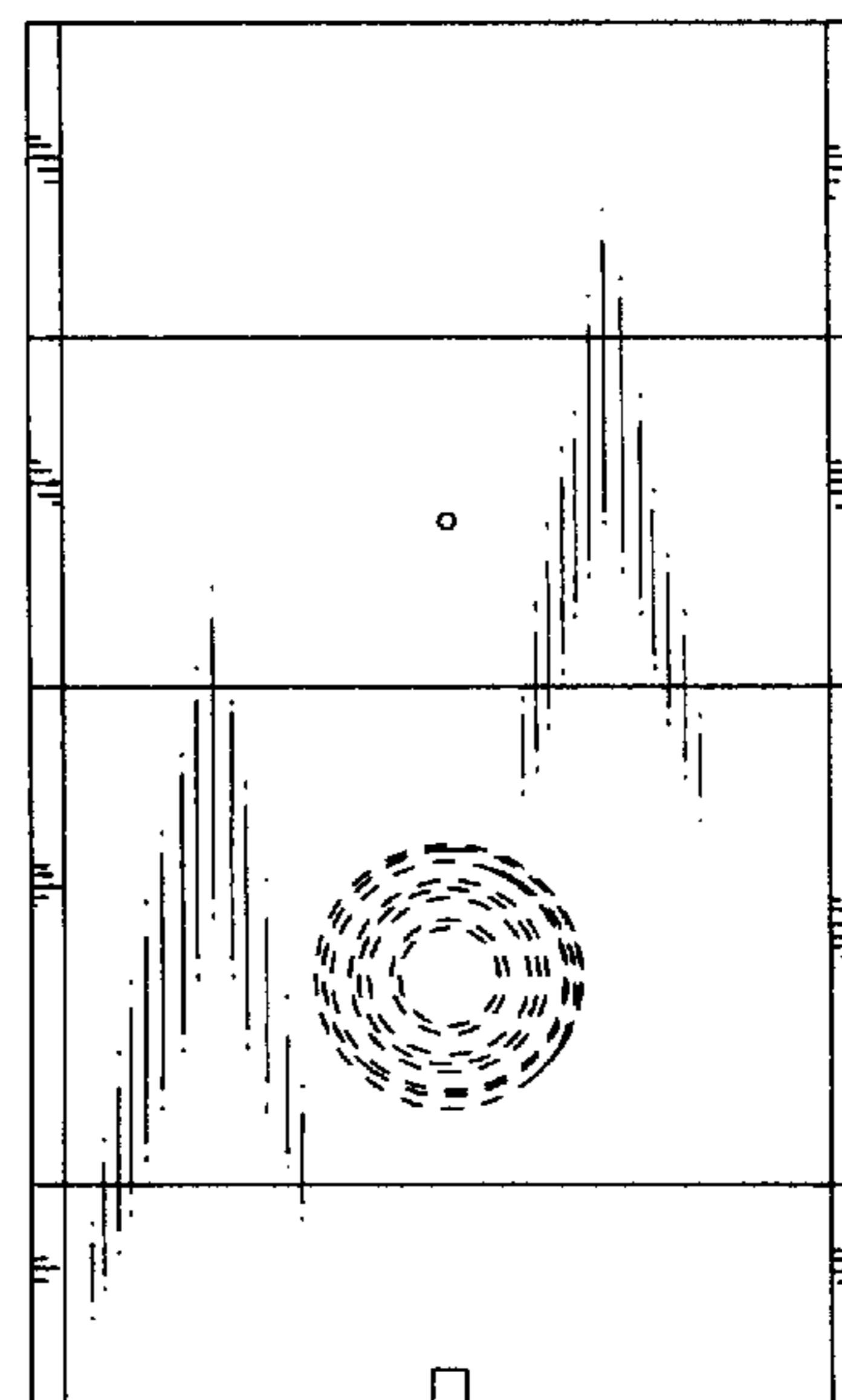


Fig.6

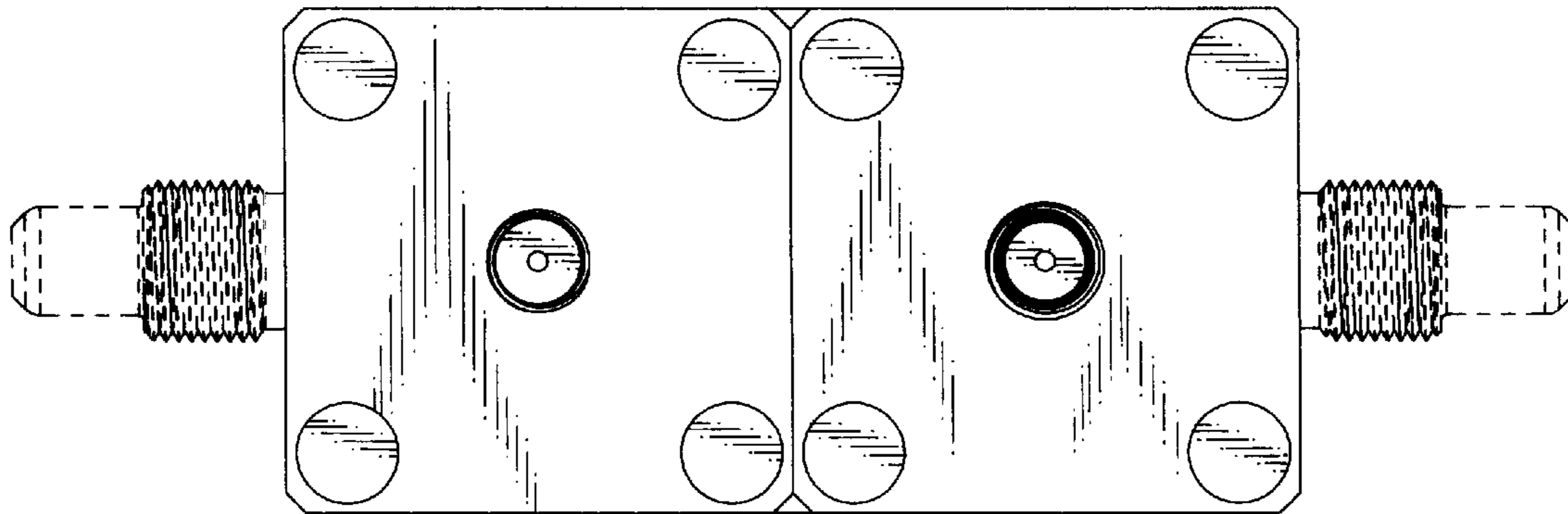


Fig.7

