



US00D532480S

(12) **United States Design Patent**  
**Garcia et al.**

(10) **Patent No.:** **US D532,480 S**

(45) **Date of Patent:** **\*\* Nov. 21, 2006**

(54) **FLYSWATTER WITH TELESCOPICALLY  
EXTENDABLE HANDLE**

5,207,018 A 5/1993 Reaver et al. .... 43/137  
D415,814 S \* 10/1999 Re ..... D22/124  
D466,280 S \* 12/2002 Ko ..... D3/3

(76) Inventors: **Ronald D. Garcia**, 1710 Shellwood  
Dr., Concord, CA (US) 94521; **Casey J.  
Garcia**, 1710 Shellwood Dr., Concord,  
CA (US) 94521

\* cited by examiner

*Primary Examiner*—Catherine R. Oliver

(74) *Attorney, Agent, or Firm*—Donald R. Schoonover

(\*\*) Term: **14 Years**

(57) **CLAIM**

(21) Appl. No.: **29/228,706**

We claim the ornamental design for a flyswatter with tele-  
scopically extendable handle, as shown and described.

(22) Filed: **Apr. 28, 2005**

**DESCRIPTION**

(51) **LOC (8) Cl.** ..... **22-06**

(52) **U.S. Cl.** ..... **D22/124**

(58) **Field of Classification Search** ..... D22/124,  
D22/119, 120, 122, 199; 43/1, 58, 107, 121,  
43/124, 132.1, 134, 137; D3/3

See application file for complete search history.

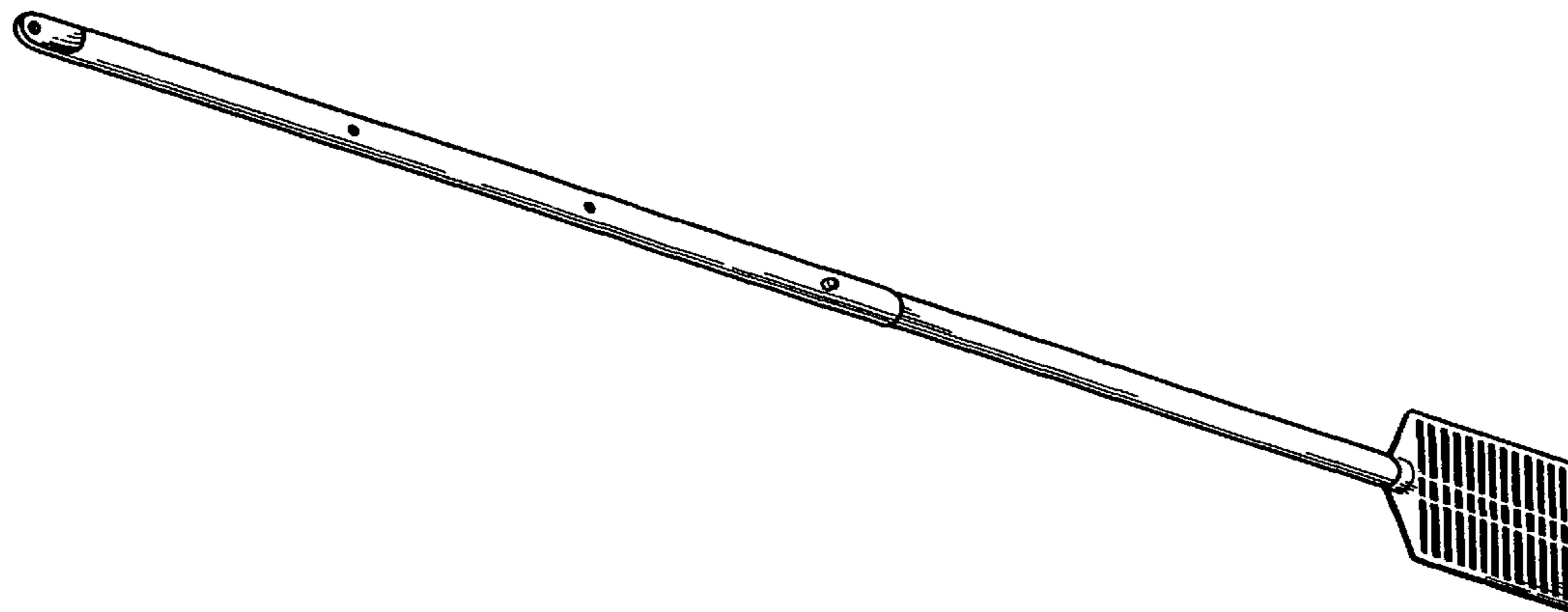
FIG. 1 is a perspective view of a flyswatter with telescopi-  
cally extendable handle showing our new design;  
FIG. 2 is a side elevational view thereof, the elevational  
view of the opposing side being identical thereto;  
FIG. 3 is a top plan view thereof;  
FIG. 4 is a bottom plan view thereof;  
FIG. 5 is a front elevational view thereof;  
FIG. 6 is a rear elevational view thereof; and,  
FIG. 7 is a reduced perspective view showing the flyswatter  
with telescopically extendable handle in use; the phantom  
lines depict environmental structure for illustrative purposes  
only and form no part of the claimed design.

(56) **References Cited**

**U.S. PATENT DOCUMENTS**

D167,658 S \* 9/1952 Roop ..... D22/124  
2,934,851 A \* 5/1960 Grish ..... 43/137  
3,191,339 A 6/1965 Dougherty ..... 43/137  
4,787,171 A 11/1988 Dagenais ..... 43/137

**1 Claim, 2 Drawing Sheets**



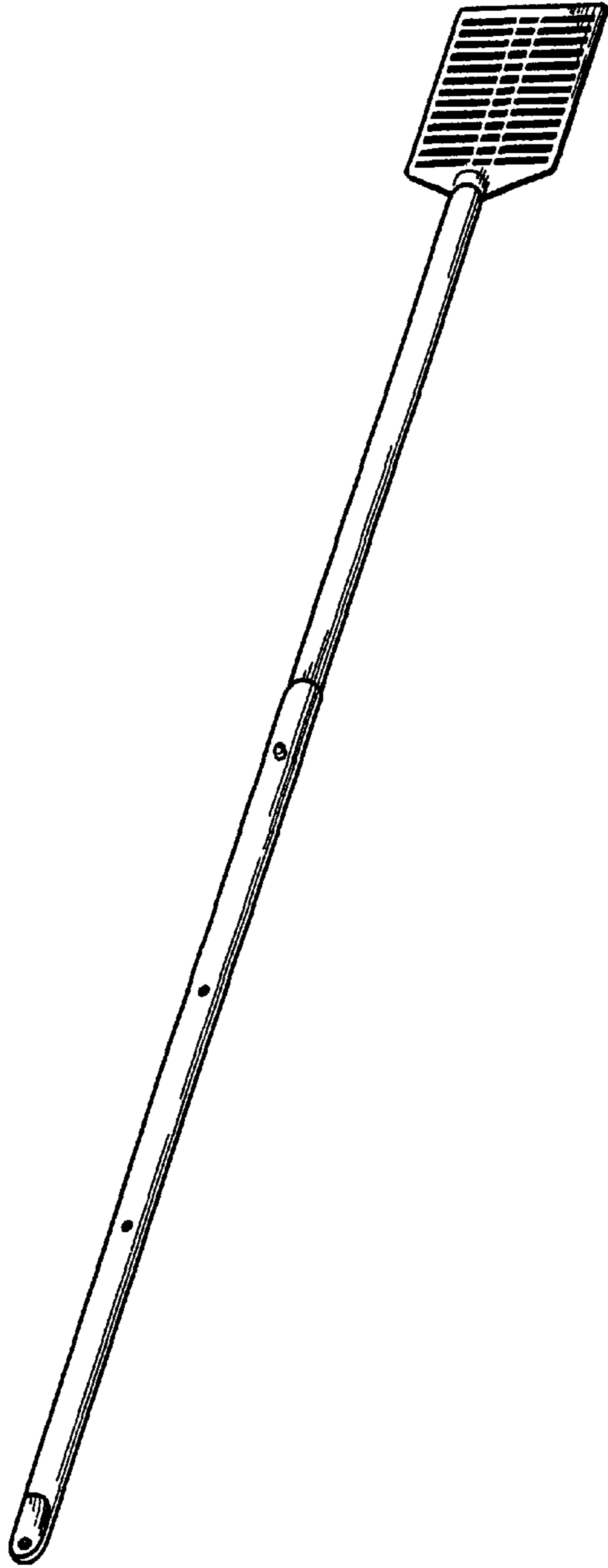


Fig. 1



Fig. 2

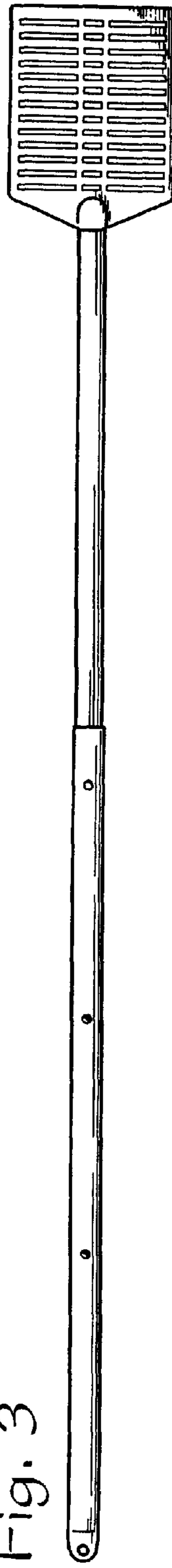


Fig. 3

