



US00D532479S

(12) **United States Design Patent**
Child

(10) **Patent No.:** **US D532,479 S**

(45) **Date of Patent:** **** Nov. 21, 2006**

(54) **INSECT TRAP**

(75) Inventor: **Kenneth John Child**, Auckland (NZ)

(73) Assignee: **Black Mantis Limited** (NZ)

(**) Term: **14 Years**

(21) Appl. No.: **29/239,847**

(22) Filed: **Oct. 5, 2005**

(30) **Foreign Application Priority Data**

Apr. 6, 2005 (NZ) 406019

(51) **LOC (8) Cl.** **22-06**

(52) **U.S. Cl.** **D22/122**

(58) **Field of Classification Search** D22/119–125;
43/107, 112–113, 124, 131
See application file for complete search history.

(56) **References Cited**

U.S. PATENT DOCUMENTS

D421,477 S	*	3/2000	Kalal	D22/122
D491,247 S	*	6/2004	Chuang et al.	D22/122
D492,381 S	*	6/2004	Chuang et al.	D22/122
D514,656 S	*	2/2006	Jean	D22/122

* cited by examiner

Primary Examiner—Catherine R. Oliver

(74) *Attorney, Agent, or Firm*—McDermott Will & Emery LLP

(57) **CLAIM**

The ornamental design for an insect trap, as shown and described.

DESCRIPTION

FIG. 1 is a front view of the new design of the present invention;

FIG. 2 is a rear view of the new design of the present invention and

FIG. 3 is a left side view of the new design of the present invention;

FIG. 4 is a right side view of the new design of the present invention;

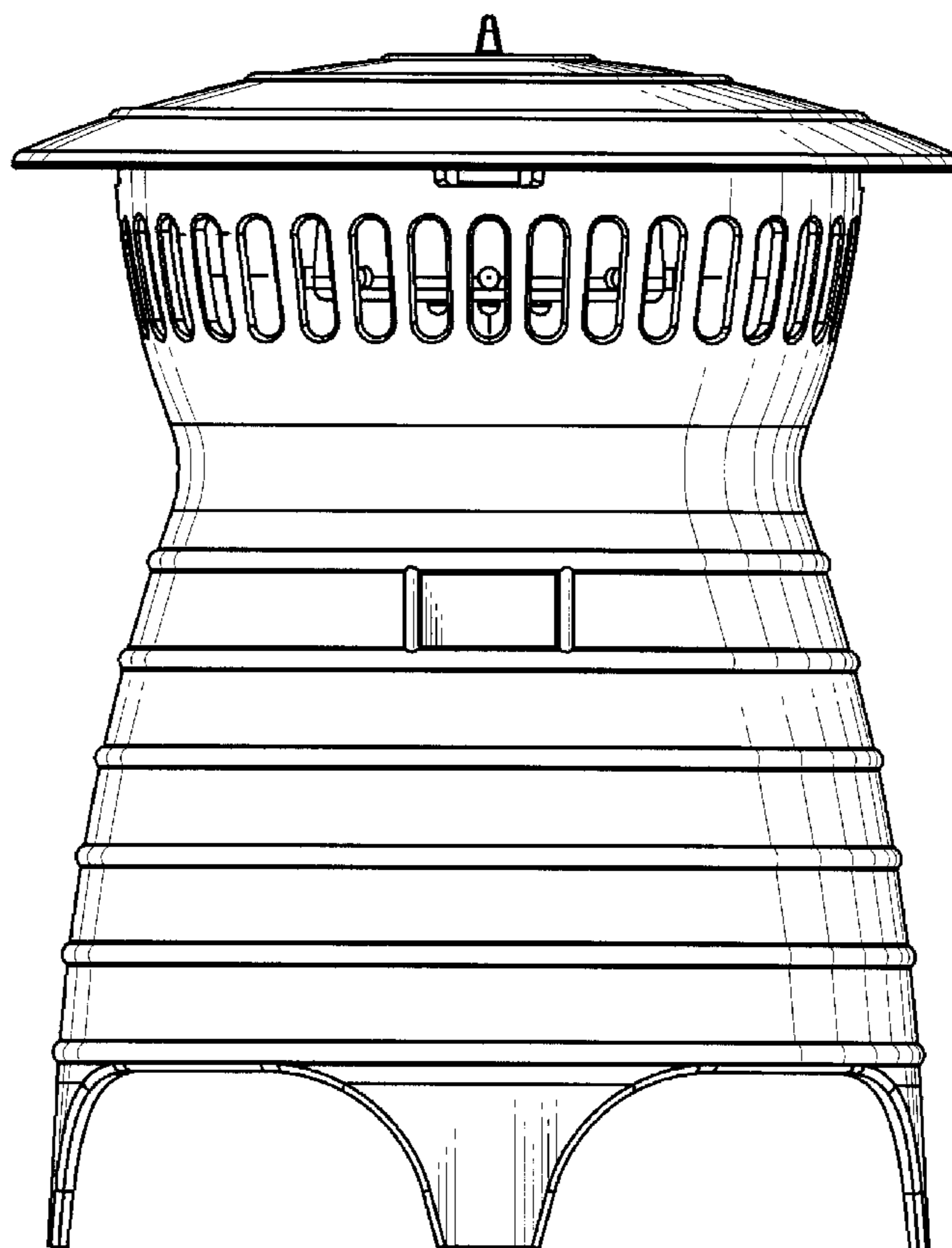
FIG. 5 is a bottom view of the new design of the present invention.

FIG. 6 is a top view of the new design of the present invention.

FIG. 7 is an perspective top view of the new design of the present invention; and,

FIG. 8 is an perspective bottom view of the new design of the present invention.

1 Claim, 8 Drawing Sheets



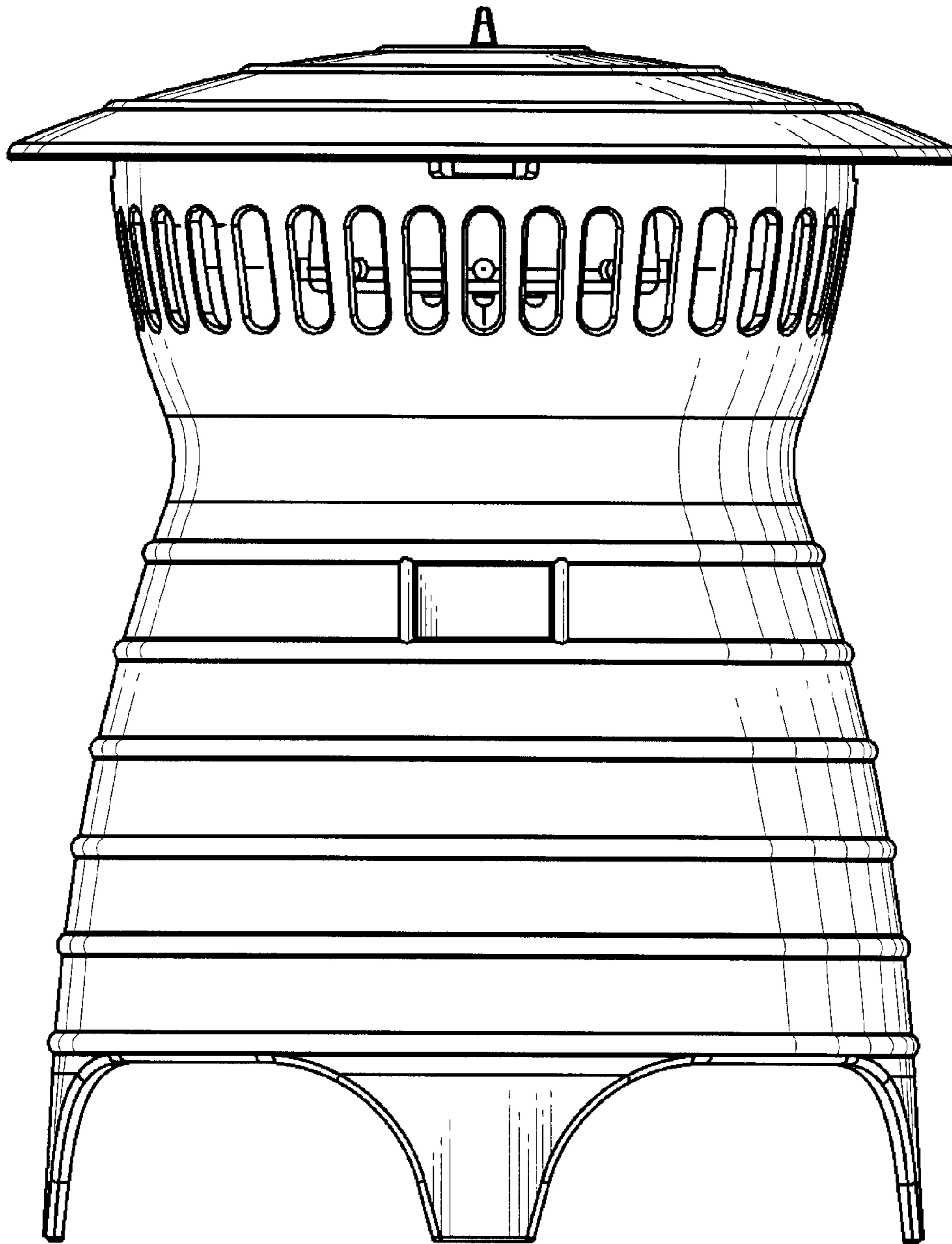


Figure 1

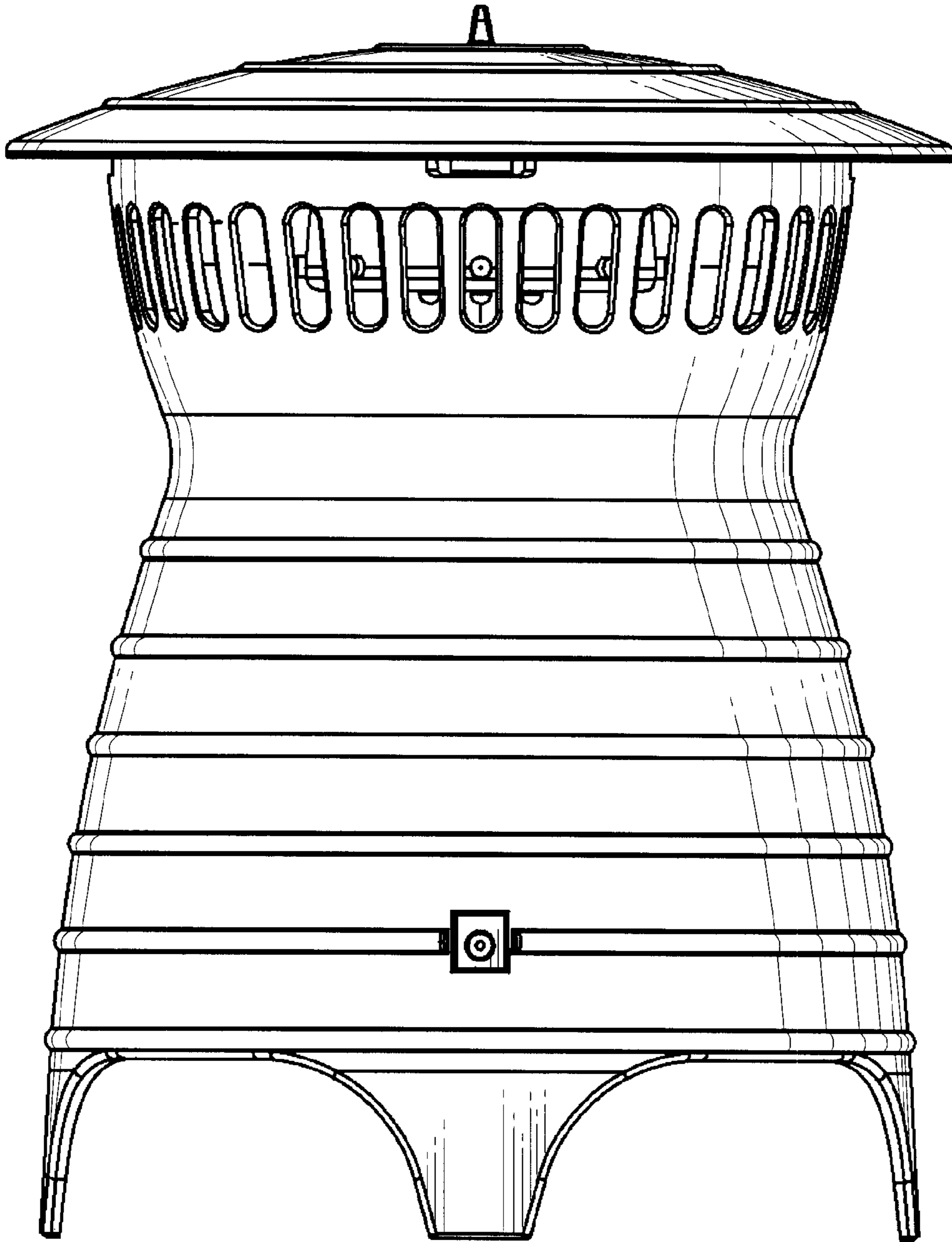


Figure 2

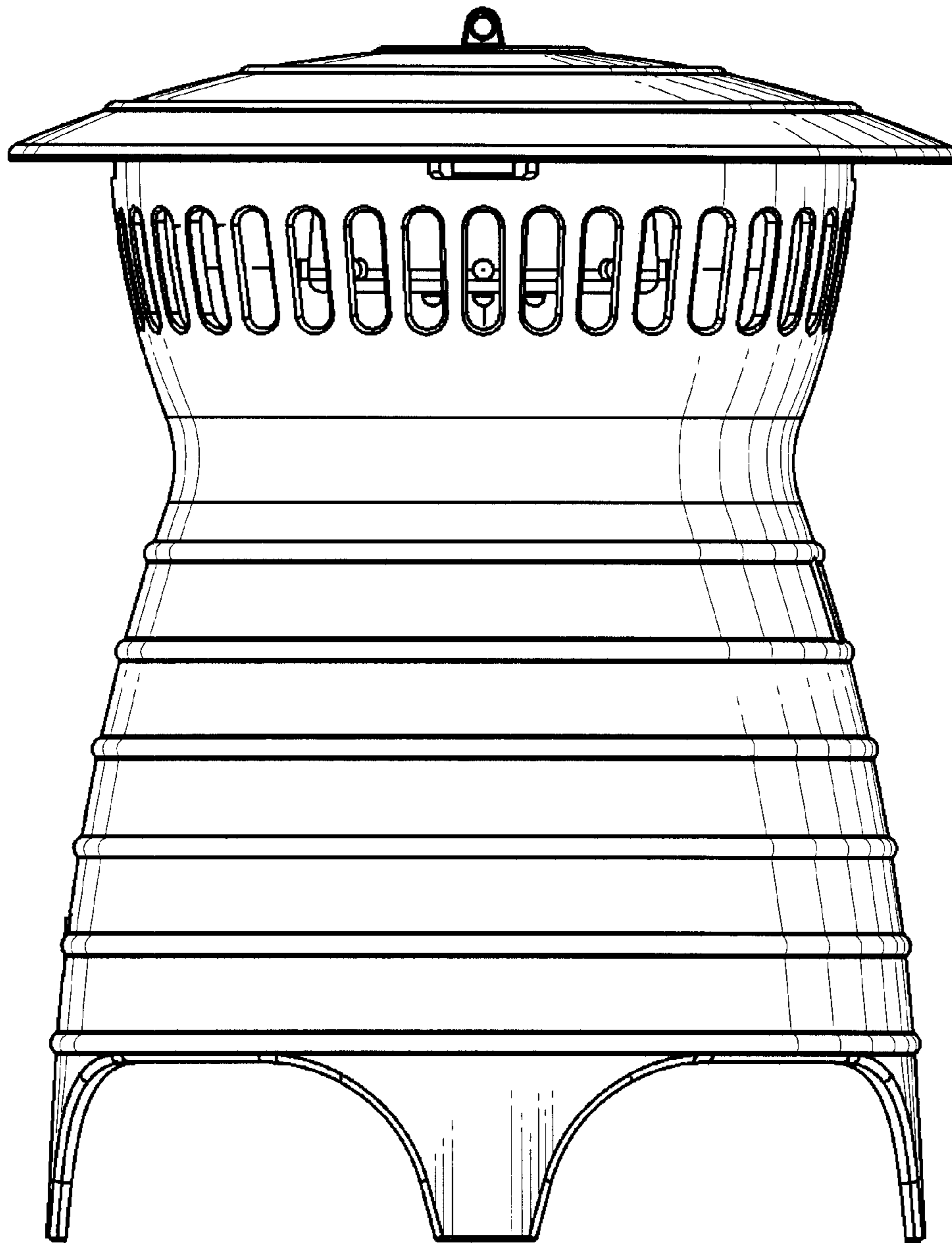


Figure 3

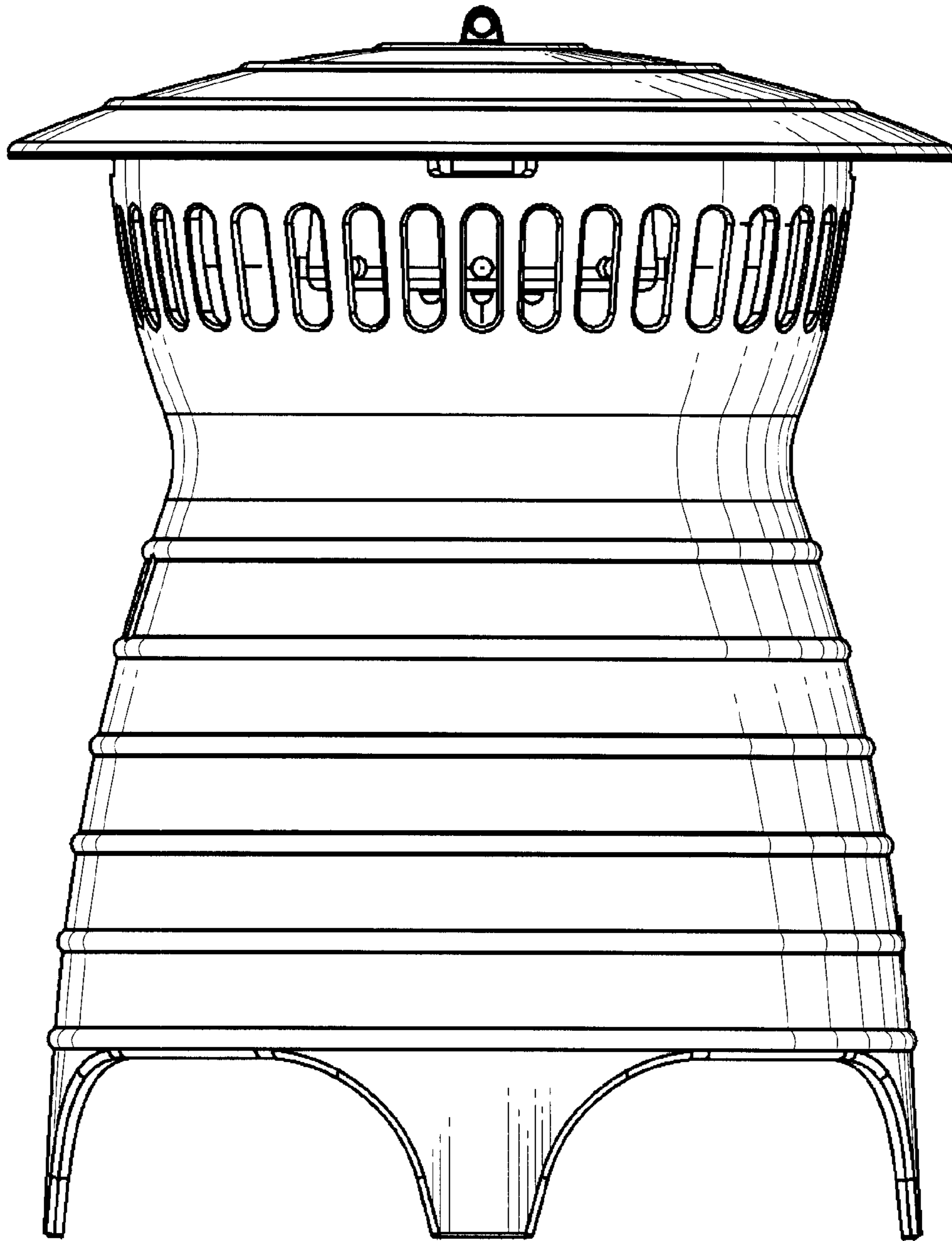


Figure 4

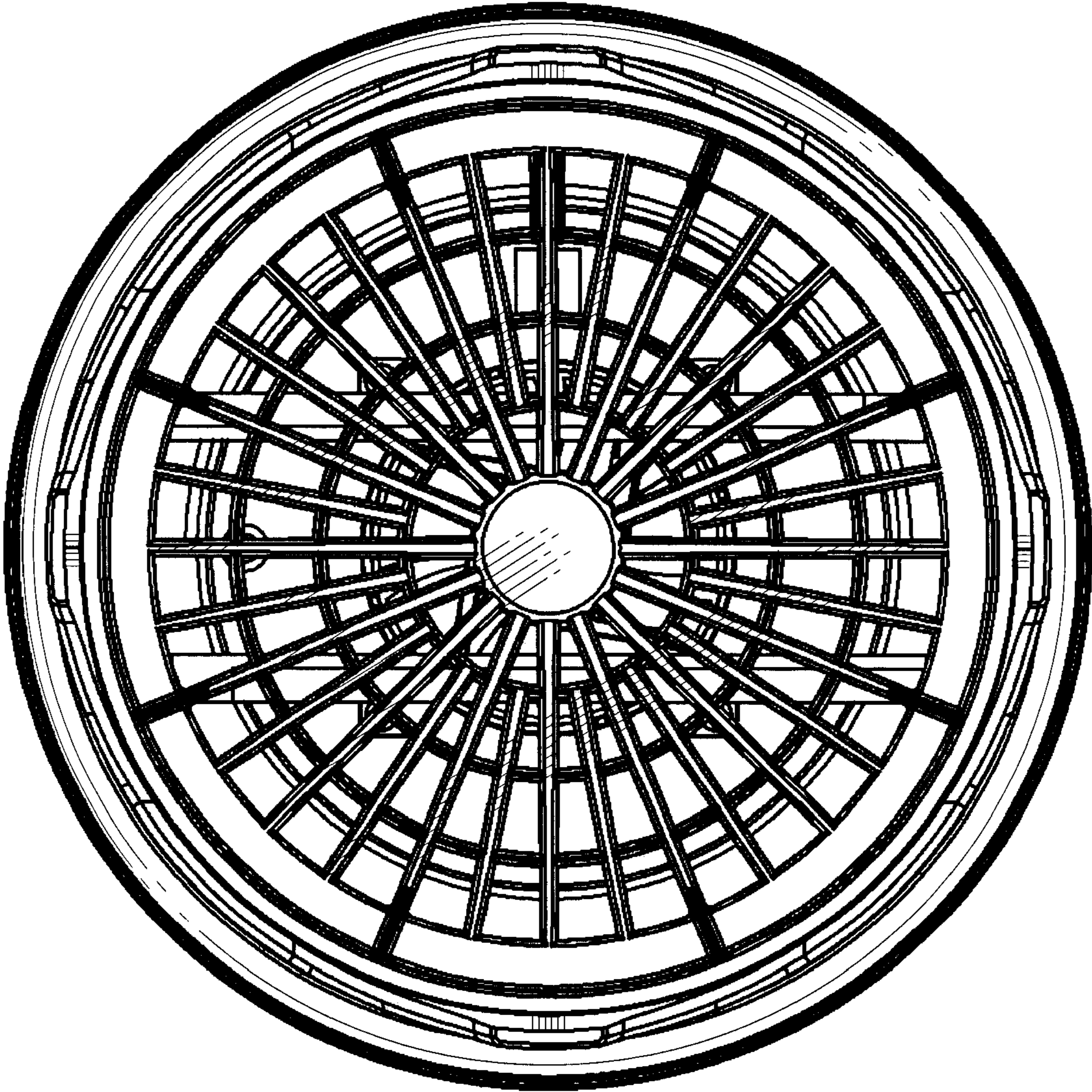


Figure 5

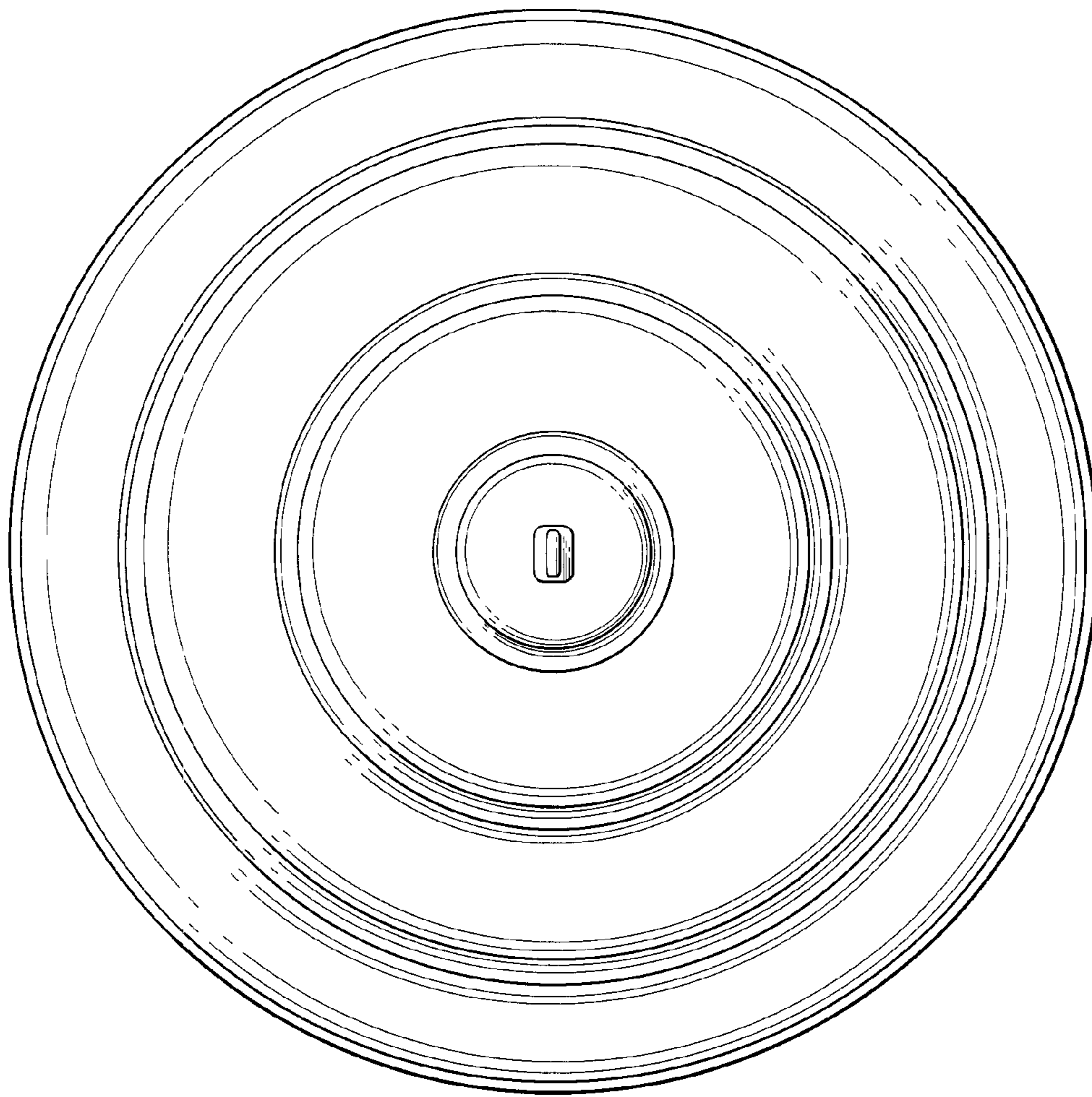


Figure 6

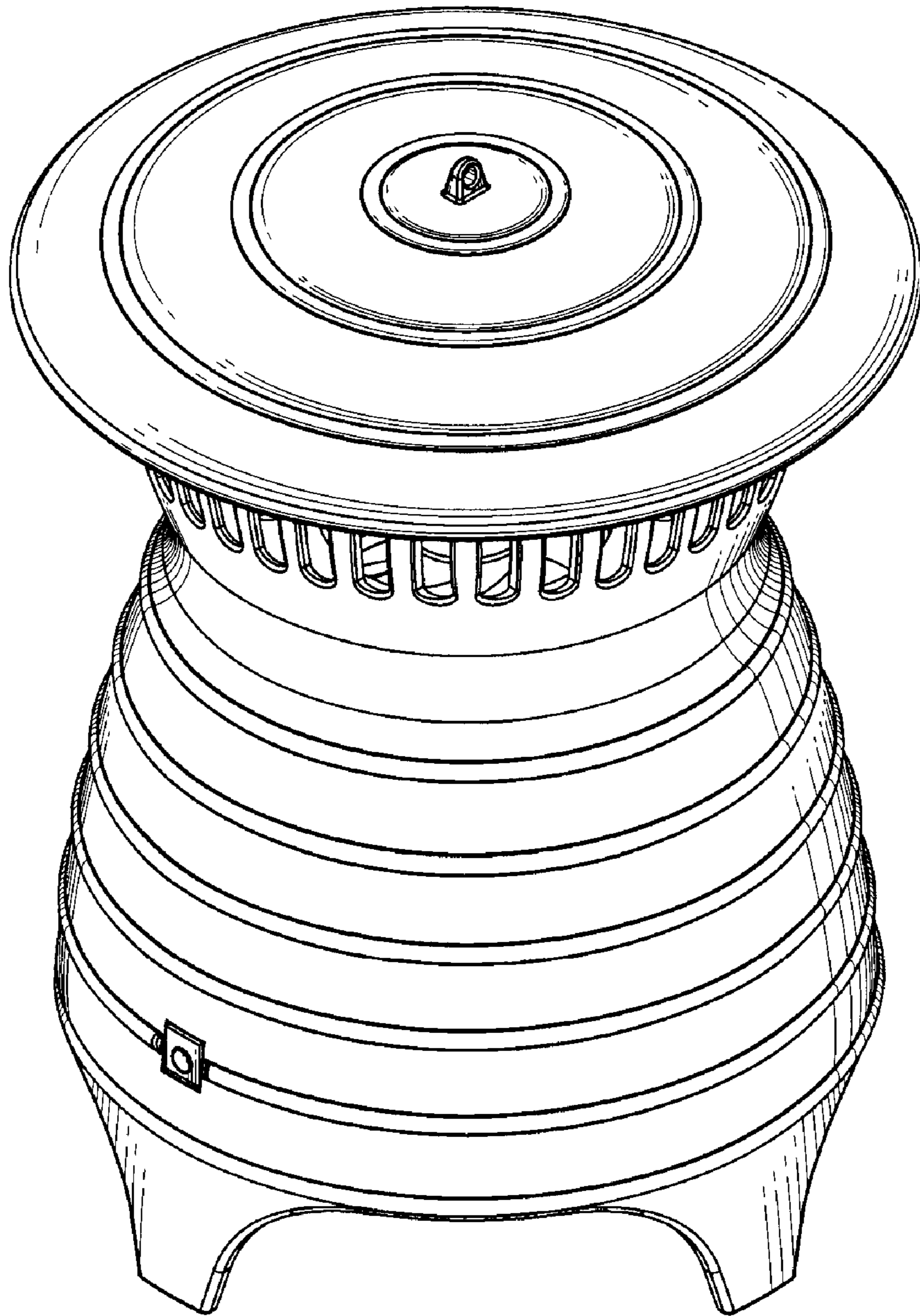


Figure 7

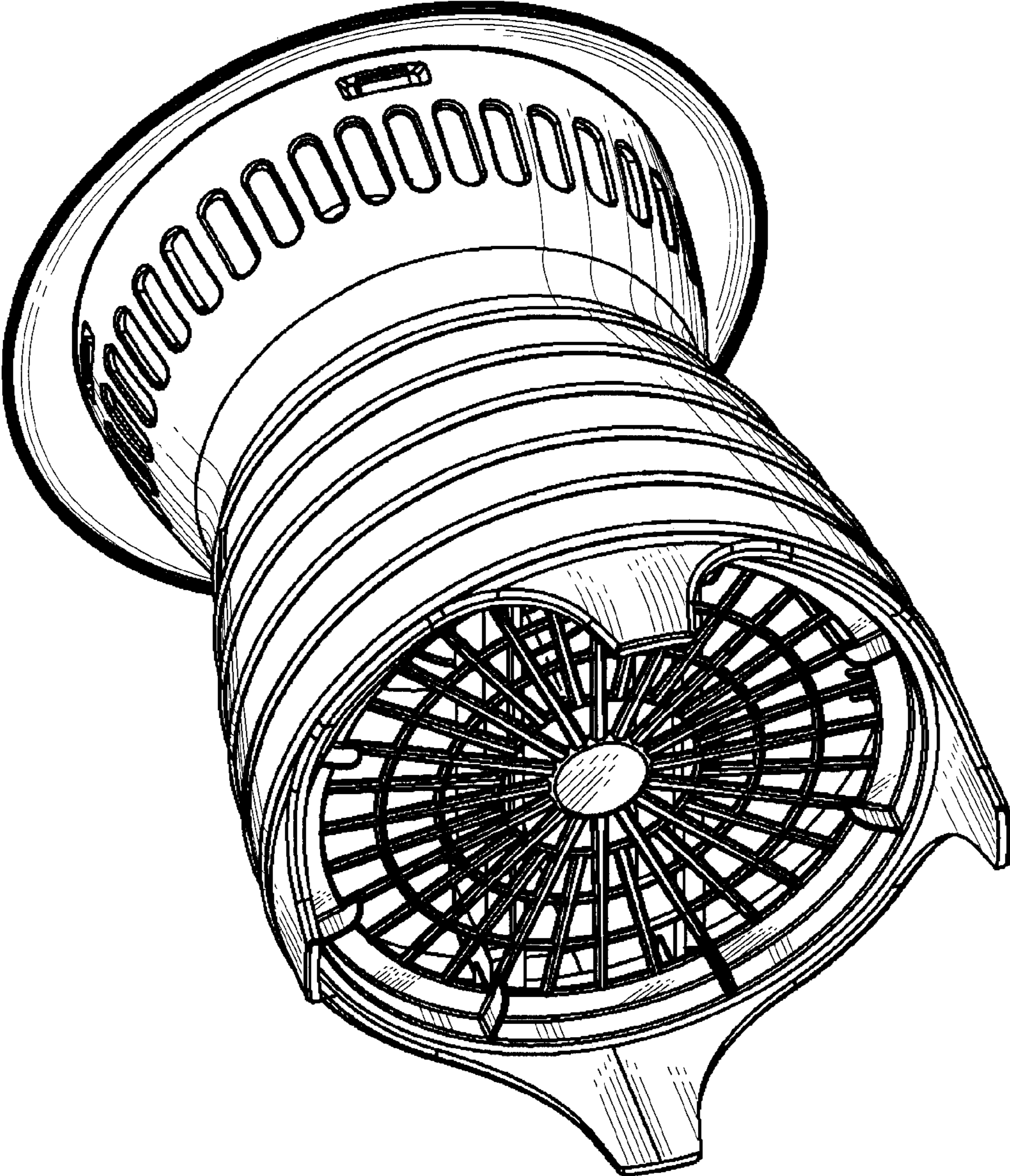


Figure 8