



US00D532478S

(12) **United States Design Patent**
Wiesener et al.

(10) **Patent No.:** **US D532,478 S**

(45) **Date of Patent:** **** Nov. 21, 2006**

(54) **TRAP FOR RODENTS, IN PARTICULAR FOR MICE AND RATS**

D386,554 S * 11/1997 Brewer D22/119
D470,562 S * 2/2003 Lafforthun D22/119
D503,963 S * 4/2005 Moore, Jr. D22/119

(75) Inventors: **Bernd Wiesener**, Berlin (DE); **Mark Wiesener**, Berlin (DE)

* cited by examiner

(73) Assignee: **UrbanGuard GmbH**, Berlin (DE)

Primary Examiner—Catherine R. Oliver

(74) *Attorney, Agent, or Firm*—Notaro & Michalos PC

(**) Term: **14 Years**

(57) **CLAIM**

(21) Appl. No.: **29/231,476**

The ornamental design for a trap for rodents, in particular for mice and rats, as shown and described.

(22) Filed: **Jun. 6, 2005**

DESCRIPTION

(51) **LOC (8) Cl.** **22-06**

(52) **U.S. Cl.** **D22/119**

(58) **Field of Classification Search** D22/119–125;
43/60, 61, 65, 66, 131

See application file for complete search history.

FIG. 1 is a side, top and front perspective view of the trap for rodents, in particular for mice and rats;

FIG. 2 is a side, top and front perspective view of FIG. 1 showing the trap in a position of rest;

FIG. 3 is a top plan view thereof; and,

FIG. 4 is a bottom plan view thereof.

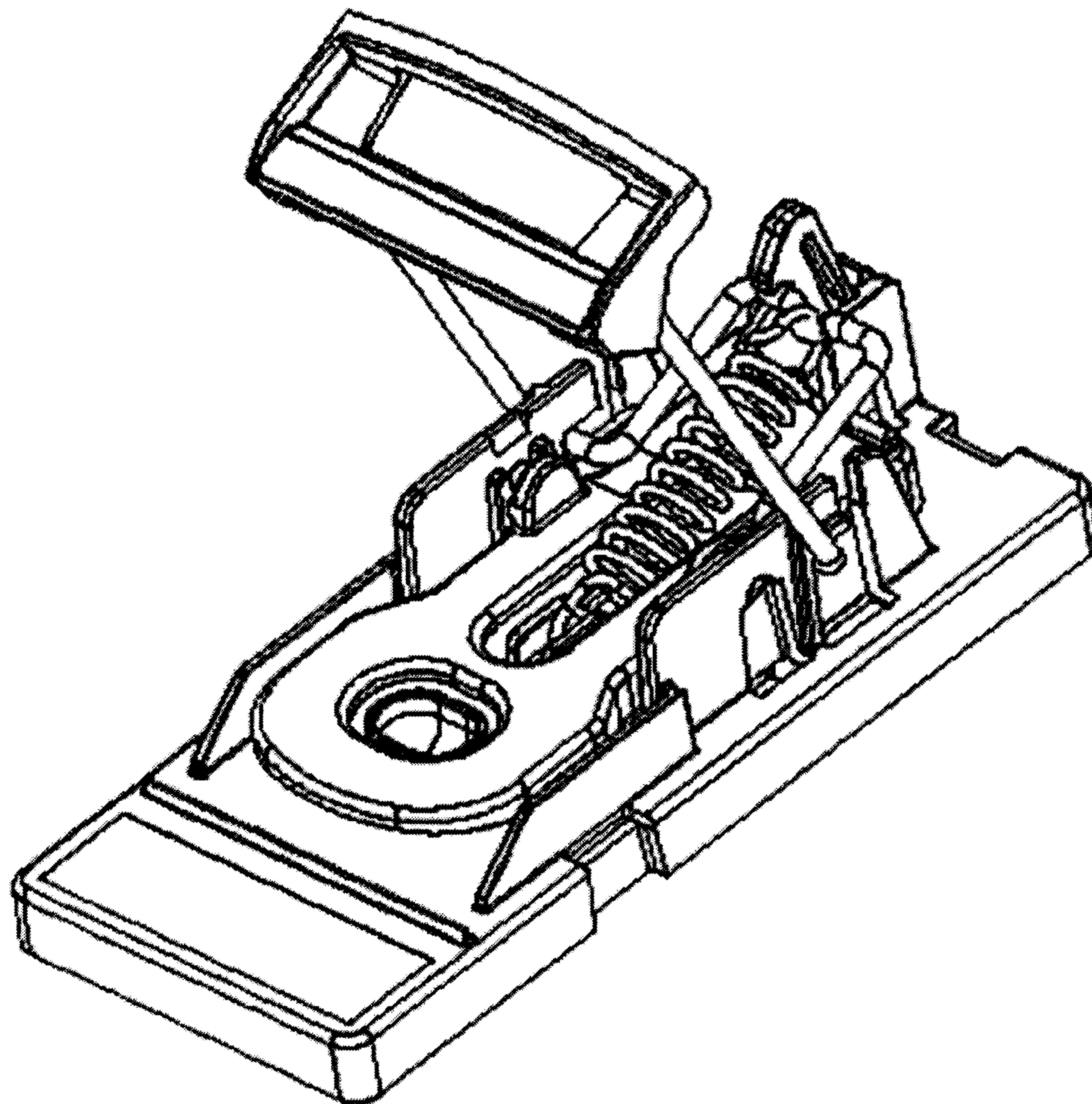
The drawings relate to two designs and are showing views of a trap for rodents, in particular for mice and rats, and a double entrance, tunnel-like trap housing in form of a bait box with two such traps fixed in the housing.

(56) **References Cited**

U.S. PATENT DOCUMENTS

D323,016 S * 1/1992 Vajs D22/119
D329,994 S * 10/1992 Webster D22/119
D335,324 S * 5/1993 Burris et al. D22/119

1 Claim, 4 Drawing Sheets



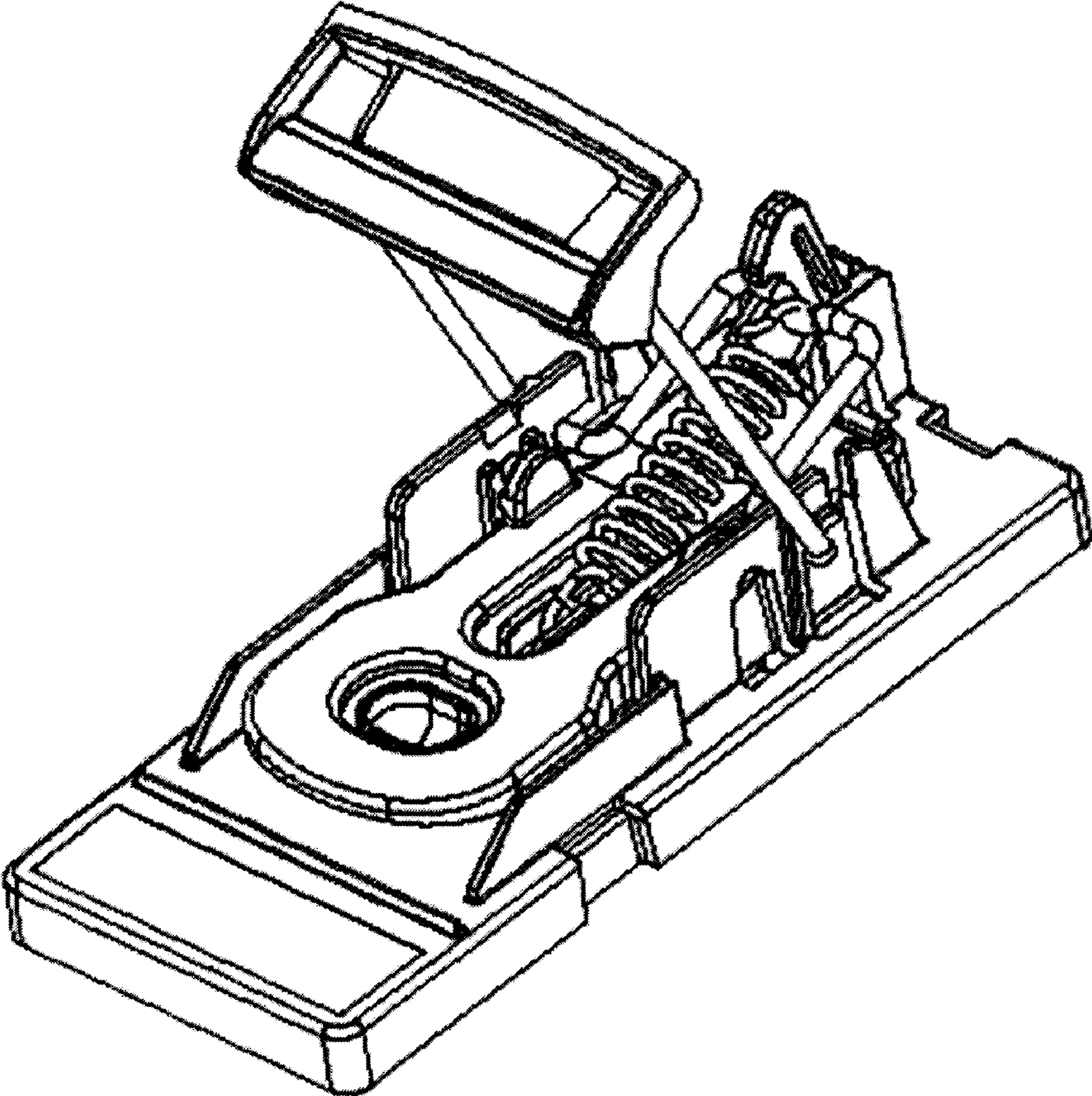


Fig. 1

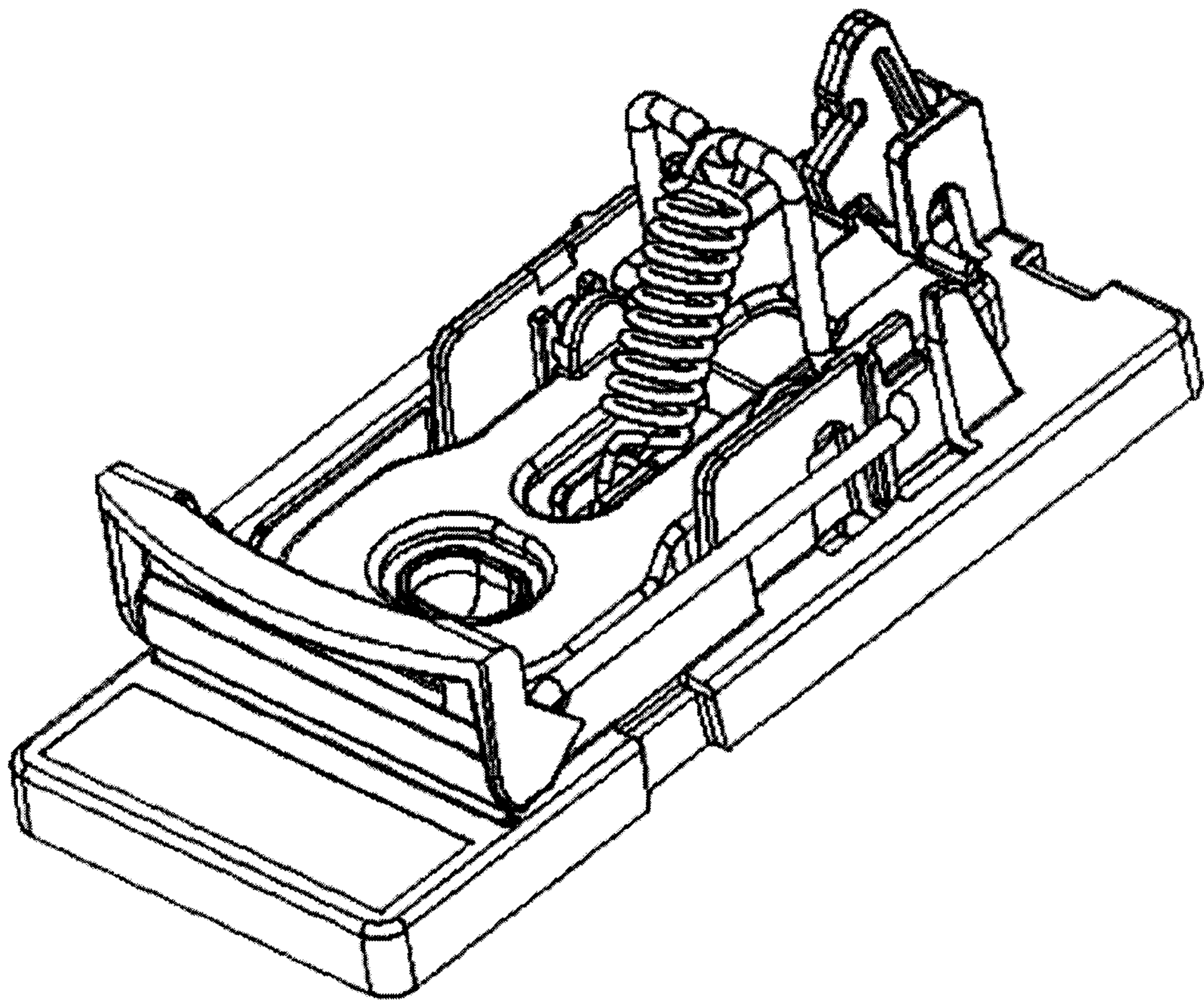


Fig. 2

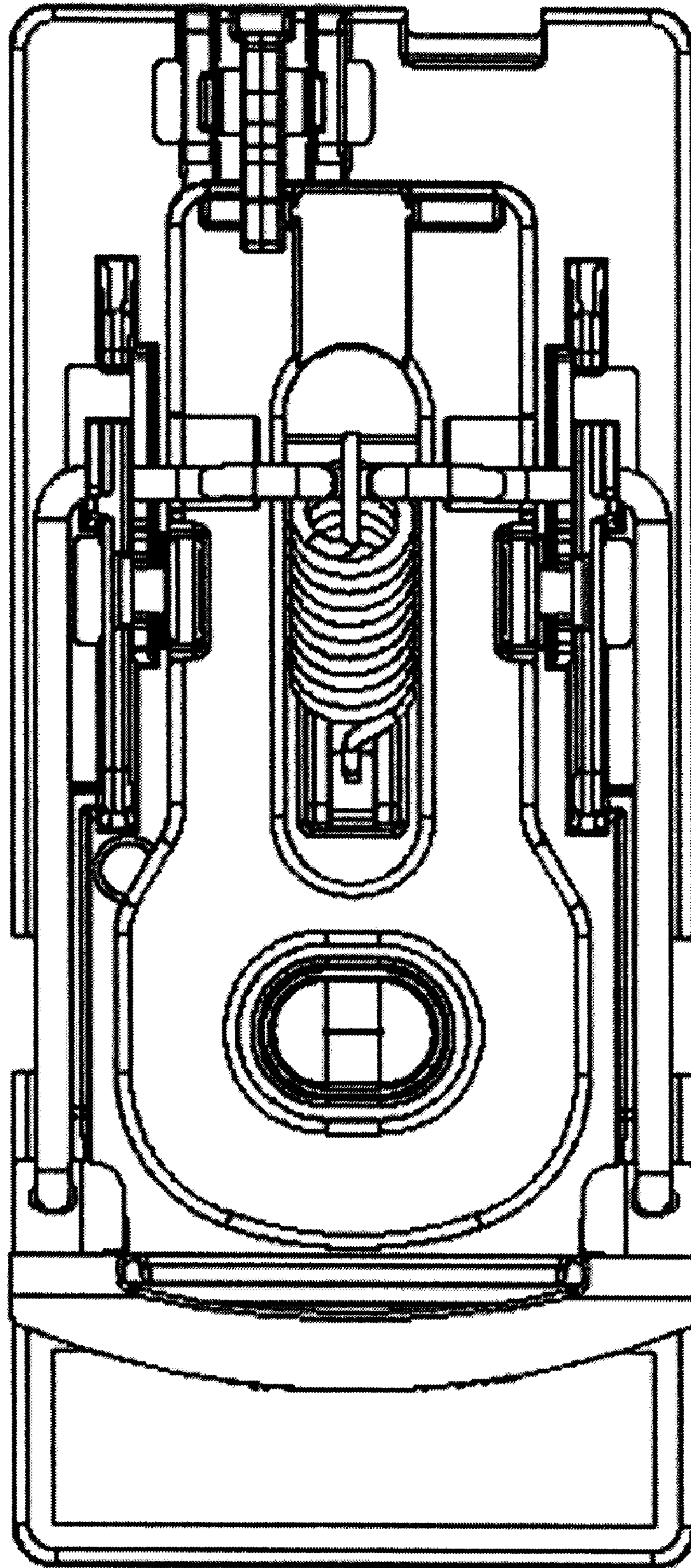


Fig. 3

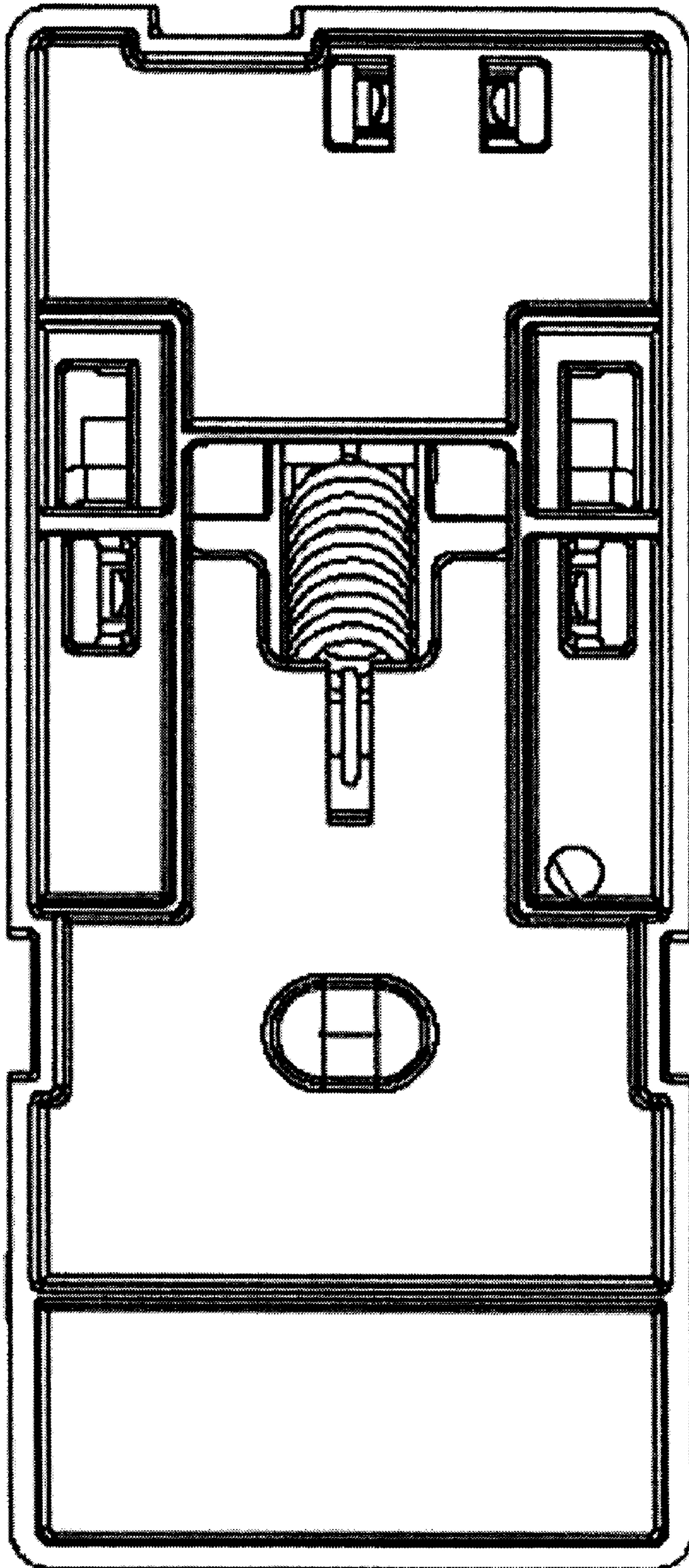


Fig. 4