



US00D532477S

(12) **United States Design Patent** (10) **Patent No.:** **US D532,477 S**  
**Zaderey et al.** (45) **Date of Patent:** **\*\* Nov. 21, 2006**

(54) **TACTICAL RETICLE FOR A WEAPON AIMING DEVICE**

(75) Inventors: **Sergey Yury Zaderey**, Beaverton, OR (US); **Andrew Evans-Hendrick**, Norfolk (GB); **Andrew W. York**, Portland, OR (US)

(73) Assignee: **Leupold & Stevens, Inc.**, Beaverton, OR (US)

(\*\*) Term: **14 Years**

(21) Appl. No.: **29/223,720**

(22) Filed: **Feb. 16, 2005**

(51) **LOC (8) Cl.** ..... **22-01**

(52) **U.S. Cl.** ..... **D22/108; D16/130; D16/136**

(58) **Field of Classification Search** ..... D16/130, D16/134, 136; D22/108, 199; 33/245, 246, 33/297, 298, 277, 262, 228, 50; 42/122, 130; 235/414; 350/550; 356/247, 21; 359/424, 359/428, 744; 421/122

See application file for complete search history.

(56) **References Cited**

**U.S. PATENT DOCUMENTS**

1,190,121 A	7/1916	Critchett	
1,406,620 A	2/1922	Dear	
2,171,571 A	9/1939	Karnes	
2,464,521 A	3/1949	McCall	
3,058,391 A	10/1962	Leupold	
3,190,003 A	6/1965	O'Brien	
3,229,370 A	* 1/1966	Plisk et al.	..... 33/297
3,297,389 A	1/1967	Gibson	
3,313,026 A	4/1967	Akin, Jr.	
3,381,380 A	5/1968	Thomas	
3,392,450 A	7/1968	Herter et al.	
3,431,652 A	3/1969	Leatherwood	
3,470,616 A	10/1969	Thompson	
3,492,733 A	2/1970	Leatherwood	
3,540,256 A	11/1970	Thompson	
3,684,376 A	8/1972	Lessard	
3,826,012 A	7/1974	Pachmayr	
3,948,587 A	4/1976	Rubbert	

(Continued)

**OTHER PUBLICATIONS**

Kahles GmbH, TDS Tri-Factor Reticle System, www.kahlesoptik.com/products/tds\_reticle.html, visited Oct. 15, 2003, 2 pgs.

Kahles GmbH, TDS Tri-Factor Reticle System Step 1, www.kahlesoptik.com/products/step1.html, visited Oct. 15, 2003, 2 pgs.

Kahles GmbH, TDS Tri-Factor Reticle System Step 2, www.kahlesoptik.com/products/step2.html, visited Oct. 15, 2003, 2 pgs.

Kahles GmbH, TDS Tri-Factor Reticle System Step 3, www.kahlesoptik.com/products/step3.html, visited Oct. 15, 2003, 2 pgs.

Kahles GmbH, TDS Tri-Factor Reticle System Step 4, www.kahlesoptik.com/products/step4.html, visited Oct. 15, 2003, 2 pgs.

Kahles GmbH, TDS Tri-Factor Reticle System Decals, www.kahlesoptik.com/products/decals.html, visited Oct. 20, 2003, 3 pgs.

(Continued)

*Primary Examiner*—Paula A. Greene

(74) *Attorney, Agent, or Firm*—Stoel Rives LLP

(57) **CLAIM**

We claim the ornamental design for a tactical reticle for a weapon aiming device, as shown and described.

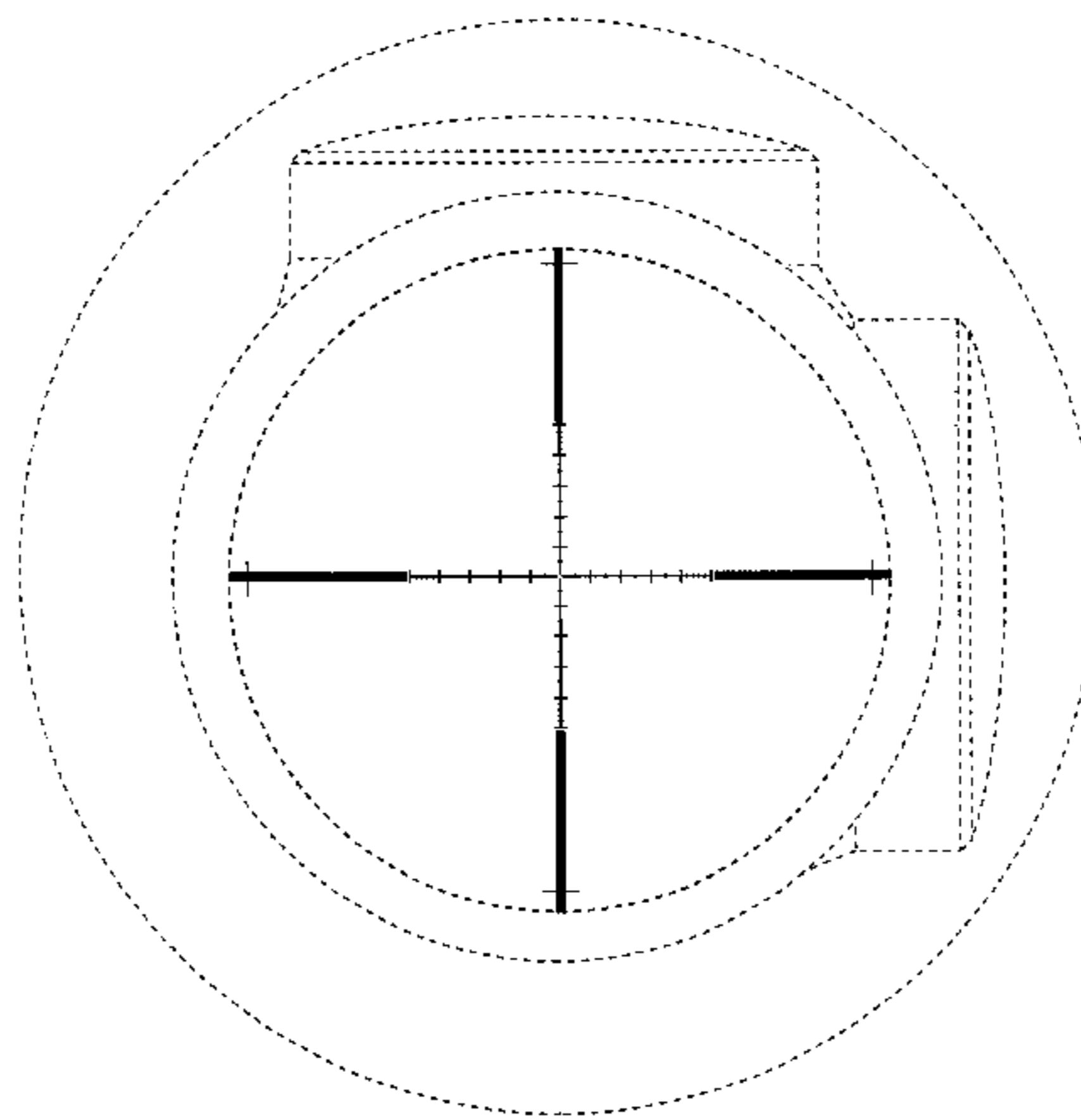
**DESCRIPTION**

FIG. 1 is a view of a tactical reticle for a weapon aiming device, as viewed through an eyepiece end of a riflescope; and,

FIG. 2 is a perspective view showing of an environment of use for the tactical reticle of FIG. 1.

In FIGS. 1 and 2, the dashed lines indicate environmental features that form no part of the claimed invention. The copyright notice in FIG. 1 forms no part of the claimed invention.

**1 Claim, 2 Drawing Sheets**



U.S. PATENT DOCUMENTS

4,263,719	A	4/1981	Murdoch	
4,285,137	A	8/1981	Jennie	
4,389,791	A	6/1983	Ackerman	
4,403,421	A	9/1983	Shepherd	
4,584,776	A	4/1986	Shepherd	
4,618,221	A	10/1986	Thomas	
4,806,007	A	2/1989	Bindon	
D306,173	S	2/1990	Reese	
4,912,853	A *	4/1990	McDonnell et al.	33/228
4,957,357	A	9/1990	Barns et al.	
5,616,903	A	4/1997	Springer	
D397,704	S	9/1998	Reese	
D403,686	S	1/1999	Reese	
5,920,995	A	7/1999	Sammut	
6,032,374	A	3/2000	Sammut	
6,357,158	B1 *	3/2002	Smith, III	42/122
D456,057	S	4/2002	Smith, III	
6,453,595	B1	9/2002	Sammut	
6,516,551	B1	2/2003	Gaber	
D475,758	S *	6/2003	Ishikawa	D22/108
6,574,900	B1	6/2003	Malley	
6,591,537	B1	7/2003	Smith	
6,681,512	B1 *	1/2004	Sammut	42/122
D506,520	S *	6/2005	Timm et al.	D22/108
2004/0016168	A1	1/2004	Thomas et al.	

OTHER PUBLICATIONS

Kahles GmbH, Bullet Sight-In and TDS Factor Chart Selection Reference Table, [www.kahlesoptik.com/products/table.html](http://www.kahlesoptik.com/products/table.html), visited Oct. 15, 2003, 5 pgs.

Swarovski Optik, TDS Tri-Factor Reticle System, "An Introduction and Familiarization on How Col. T.D. Smith's Shooting System Works", [www.sportingrifles.com/tds\\_tri.htm](http://www.sportingrifles.com/tds_tri.htm), visited Oct. 16, 2003, 5 pgs.

Leupold & Stevens Inc., Leupold 2003 Catalog; Nov. 2002, pp. 8, 9, 25 & 30.

Bray, Dr. Derek, "ISEMD Course External Ballistics Trajectory Modelling", Cranfield University, <http://www.rmc-s.cranfield.ac.uk/aerextra/isemdtrajmod.ppt>, visited Oct. 6, 2003, 23 pgs.

Intelligence Systems Group, "What is Ballistic Coefficient and How it is Calculated," Topic of the Month: Sep. 2001, [www.loadammo.com/Topics/September01.htm](http://www.loadammo.com/Topics/September01.htm), 3 pgs.

Bercovitz, John; "Hatcher's Notebook—errata," [www.yarchive.net/gun/hatchers\\_notebook.html](http://www.yarchive.net/gun/hatchers_notebook.html), visited Nov. 1, 2003, 3 pgs.

Ingalls Tables Historical Summary, [www.51phantom.com/ebexplained/4th/30.cfimtingalls+tables&hl=en&ie=utf-8](http://www.51phantom.com/ebexplained/4th/30.cfimtingalls+tables&hl=en&ie=utf-8), visited Nov. 1, 2003, 4 pgs.

Schmidt & Bender GmbH, "Rifle Scopes Built for the Demanding Needs of the Precision Sharpshooter," 3 pgs (date unknown).

Shepherd Scope Ltd., Shepherd's Easy One Shot Zero, product brochure, 2 pgs (date unknown).

Swarovski Optik, advertisement for "Christmas Tree Reticle", 1 page (date unknown).

Trijicon, Inc., Bindon Aiming Concept Reticles, 5 pgs (date unknown).

Nightforce Precision Optics, Illuminated Reticles, 1 page (date unknown).

Elcan Optical Technologies, SpecterIR Thermal Weapon Sight, M240/M249 Machine Gun Reticle and M4 Carbine Reticle, 10 pgs (date unknown).

Burris, Optics, Plex Reticle and Ballistic Mil-Dot Reticle, <http://www.burrisoptics.com/reticles.html>, 3 pgs (date unknown).

Carl Zeiss, Reticles, 2 pgs (date unknown).

Simmons Outdoor Corporation, 2003 Catalog, pp. 9 and 11.

Premier Reticles, Ltd., Introducing the Next Generation Mil-dot reticle-GEN 2 MIL-DOT. [www.premierreticles.com/gen2.html](http://www.premierreticles.com/gen2.html), visited Nov. 21, 2002, 2 pgs.

Premier Reticles, Ltd., Mil-dot User Guide, [www.premierreticles.com/mildotgu.htm](http://www.premierreticles.com/mildotgu.htm), visited Nov. 21, 2002, 14 pgs.

Premier Reticles, Ltd., 2002 Pricing & Information/Catalog, Aug. 1, 2002, 21 pgs.

German text on riflescopes: "Zusammenstellung Moglicher Zielfernrohr-Absehen", p. 477 (date unknown).

Redfield Optics, LE-9 Sniper Reticle, Jul. 19, 1994, 1 page.

"D.O.D. Proprietary Data" Drawing for Special Reticle for SSG86-10 Power Optic for Exclusive Use by Gun South, Inc., Jun. 30, 1986, 1 page.

U.S. Appl. No. 29/193,335, filed Nov. 4, 2003.

U.S. Appl. No. 10/933,856, filed Sep. 3, 2004.

Nightforce Optics, Reticle Selection and MLR reticle, <http://www.nightforceoptics.com>, visited Feb. 8, 2005, 3 pages.

Sniper's Hide, [http://www.snipershide.com/ubb/ultimatebb.php?ubb=get\\_topic;f=19;t=000982;p=1](http://www.snipershide.com/ubb/ultimatebb.php?ubb=get_topic;f=19;t=000982;p=1), cached Apr. 19, 2004, 7 pages (various posting dates).

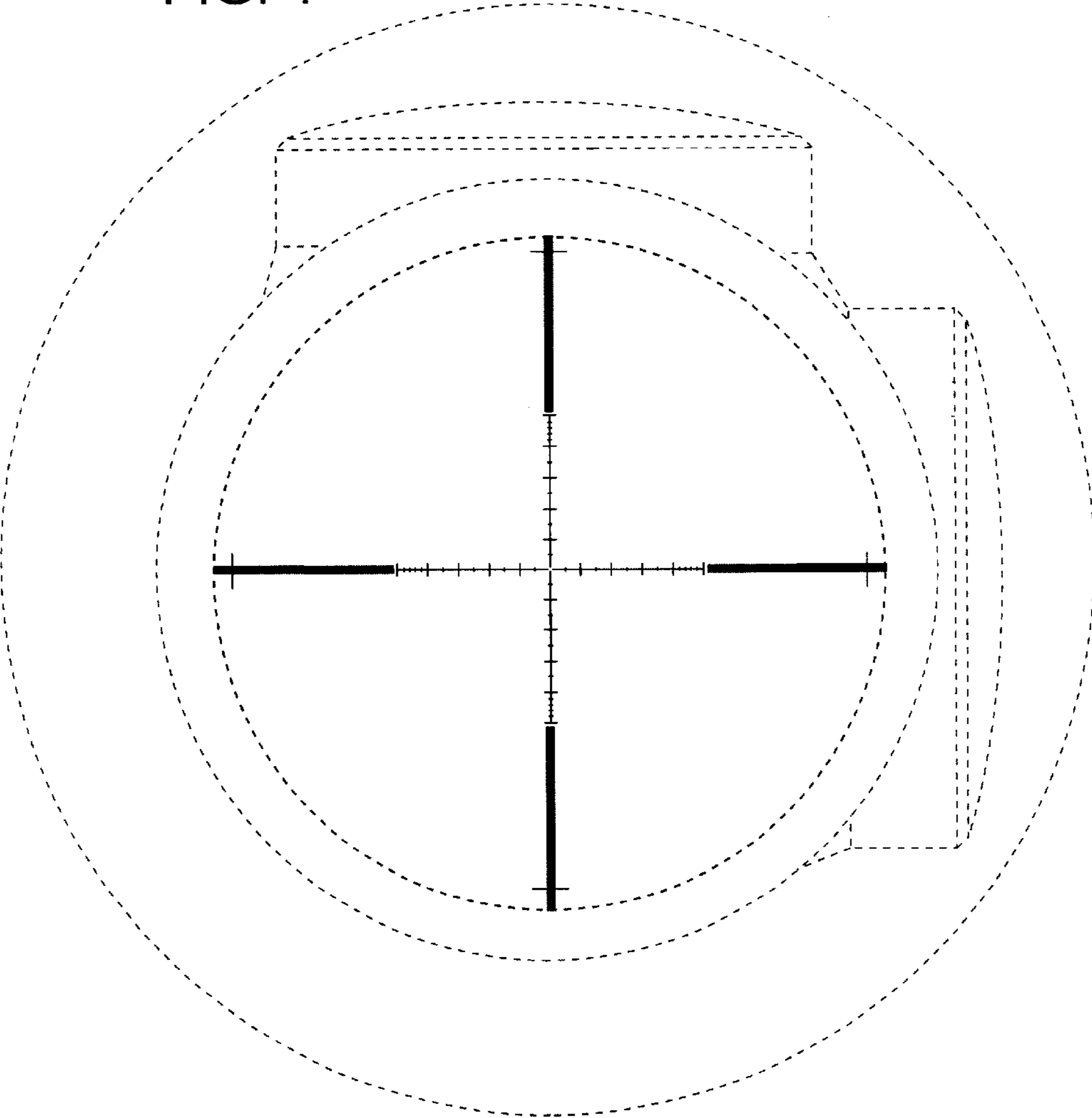
Sniper's Hide, [http://www.snipershide.com/ubb/ultimatebb.php?ubb=get\\_topic;f=19;t=001042;p=1](http://www.snipershide.com/ubb/ultimatebb.php?ubb=get_topic;f=19;t=001042;p=1), cached Apr. 15, 2004, 3 pages (various posting dates).

Sniper's Hide, [http://www.snipershide.com/cgi-bin/ubb/cgi/ultimatebb.cgi?ubb=print\\_topic;f=19;t=000982](http://www.snipershide.com/cgi-bin/ubb/cgi/ultimatebb.cgi?ubb=print_topic;f=19;t=000982), cache visited Feb. 8, 2005, 9 pages (various posting dates).

Wolverine Supplies, letter dated Dec. 14, 2005 and enclosure dated Oct. 10, 2003, 2 pp.

\* cited by examiner

FIG. 1



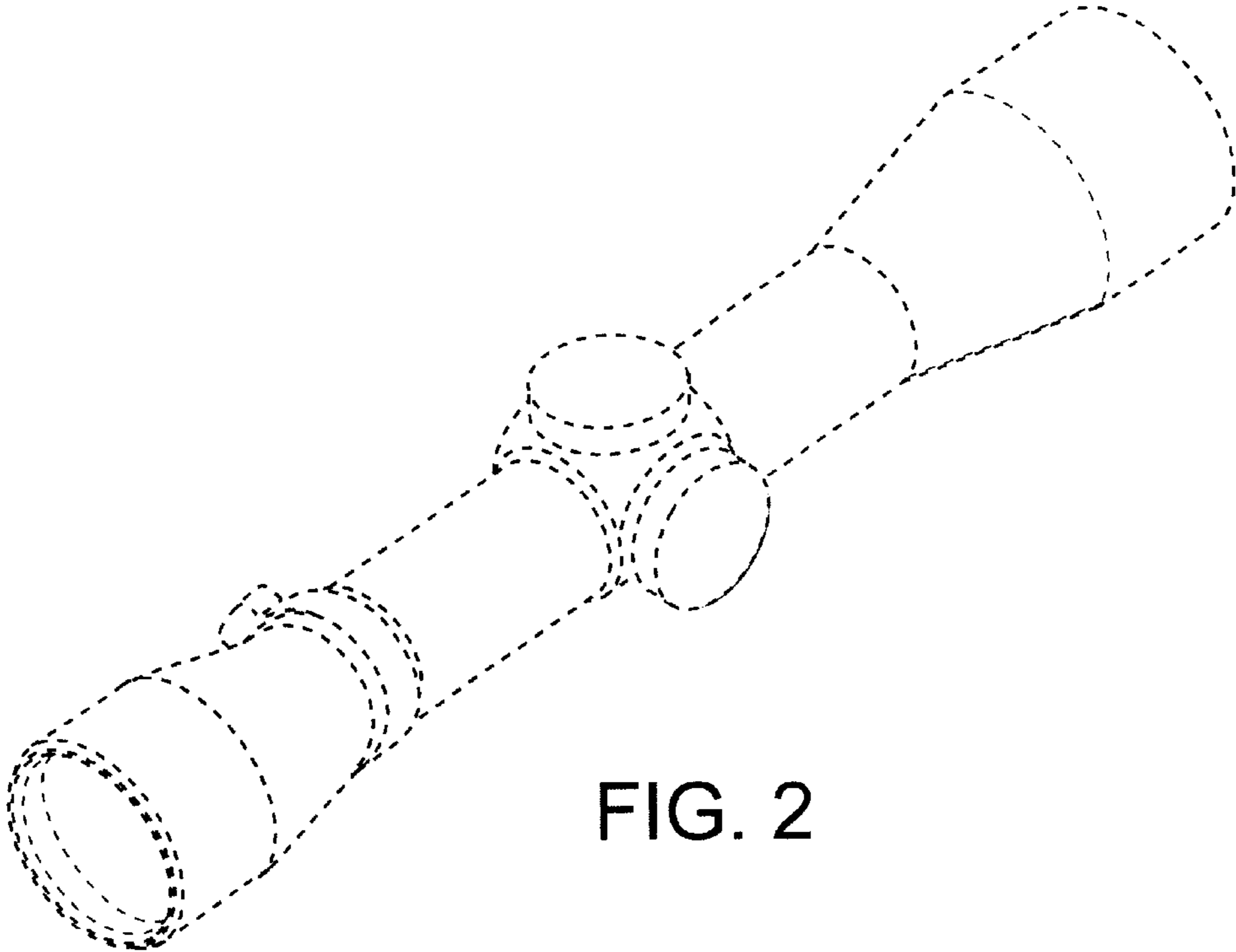


FIG. 2