



US00D532475S

(12) **United States Design Patent**  
**Hauglin et al.**

(10) **Patent No.:** **US D532,475 S**

(45) **Date of Patent:** **\*\* Nov. 21, 2006**

(54) **MOUNTING PLATE FOR A SKI BINDING**

(75) Inventors: **Bernt-Otto Hauglin**, Klokkarstua (NO); **Robert Tomter**, Klokkarstua (NO); **Gunnar Bjertnaes**, Biri (NO)

(73) Assignees: **Rottefella AS**, Klokkarstua (NO); **Madshus AS**, Biri (NO)

(\*\*) **Term:** **14 Years**

(21) **Appl. No.:** **29/230,328**

(22) **Filed:** **May 19, 2005**

(30) **Foreign Application Priority Data**

Dec. 16, 2004 (EM) ..... 000268446

(51) **LOC (8) Cl.** ..... **21-02**

(52) **U.S. Cl.** ..... **D21/766**

(58) **Field of Classification Search** ..... D21/760-761, D21/765-766, 768, 771, 772-777; 441/68-70; 280/601-606, 609-610, 842, 11.3, 11.31  
See application file for complete search history.

(56) **References Cited**

**U.S. PATENT DOCUMENTS**

- 4,005,875 A 2/1977 Bjertnaes
- D254,983 S 5/1980 Hauglin
- 4,403,785 A \* 9/1983 Hottel ..... 280/14.23
- 4,772,041 A 9/1988 Klosterman
- D322,300 S \* 12/1991 Provence et al. .... D21/773
- 5,085,453 A \* 2/1992 Bildner ..... 280/612
- 5,088,757 A 2/1992 Hauglin
- 5,116,073 A 5/1992 Goud
- 5,143,395 A 9/1992 Mayr
- 5,190,310 A 3/1993 Hauglin et al.
- 5,211,417 A \* 5/1993 Klaus et al. .... 280/617
- D341,640 S 11/1993 Hauglin
- D341,864 S 11/1993 Hauglin
- D343,048 S 1/1994 Hauglin
- D345,454 S 3/1994 Hauglin
- 5,338,053 A 8/1994 Hauglin
- 5,499,838 A 3/1996 Hauglin et al.
- D390,901 S 2/1998 Hauglin
- 5,803,480 A 9/1998 Hauglin et al.

- 5,893,576 A 4/1999 Hauglin
- 5,897,127 A 4/1999 Hauglin
- 5,992,873 A 11/1999 Hauglin
- 6,027,135 A 2/2000 Hauglin
- D425,162 S 5/2000 Hauglin
- 6,202,326 B1 3/2001 Hauglin
- 6,390,493 B1 5/2002 Hauglin
- 6,402,184 B1 6/2002 Hauglin
- 6,631,918 B1 \* 10/2003 Silva ..... 280/607
- 6,644,683 B1 11/2003 Hauglin et al.
- 6,685,213 B1 2/2004 Hauglin
- 6,935,651 B1 \* 8/2005 Krumbeck et al. .... 280/616
- 2003/0193171 A1 \* 10/2003 Krumbeck et al. .... 280/616

**FOREIGN PATENT DOCUMENTS**

- DE 3838569 A1 6/1989
- DE 202005 002010 U1 6/2005
- EP 0 878 218 A2 11/1998
- EP 1 240 925 A1 9/2002
- FR 2 569 119 2/1986
- WO 02/49728 A1 6/2002
- WO 2004/045728 A2 6/2004

\* cited by examiner

*Primary Examiner*—Janice Seeger

*Assistant Examiner*—Zenia I. Bennett

(74) *Attorney, Agent, or Firm*—Leydig, Voit & Mayer, Ltd.

(57) **CLAIM**

The ornamental design for a mounting plate for a ski binding, as shown and described.

**DESCRIPTION**

FIG. 1 is a perspective view showing our new design for a mounting plate for a ski binding;  
 FIG. 2 is a top plan view thereof;  
 FIG. 3 is a right side elevational view thereof;  
 FIG. 4 is a bottom plan view thereof;  
 FIG. 5 is an enlarged perspective view of a first portion of our design;  
 FIG. 6 is an enlarged perspective view of a second portion of our design; and,  
 FIG. 7 is an enlarged perspective view of a third portion of our design.

**1 Claim, 3 Drawing Sheets**

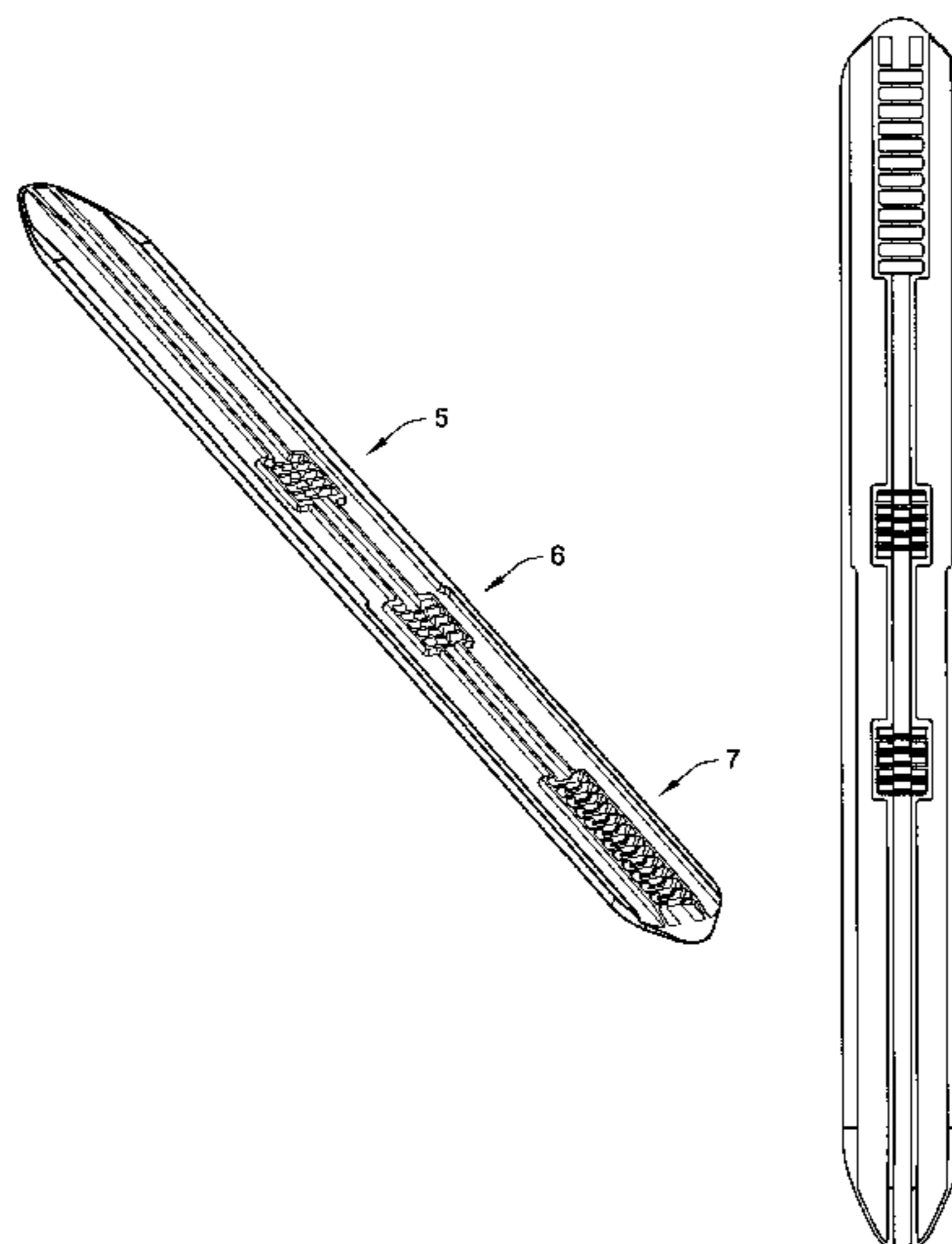


FIG. 1

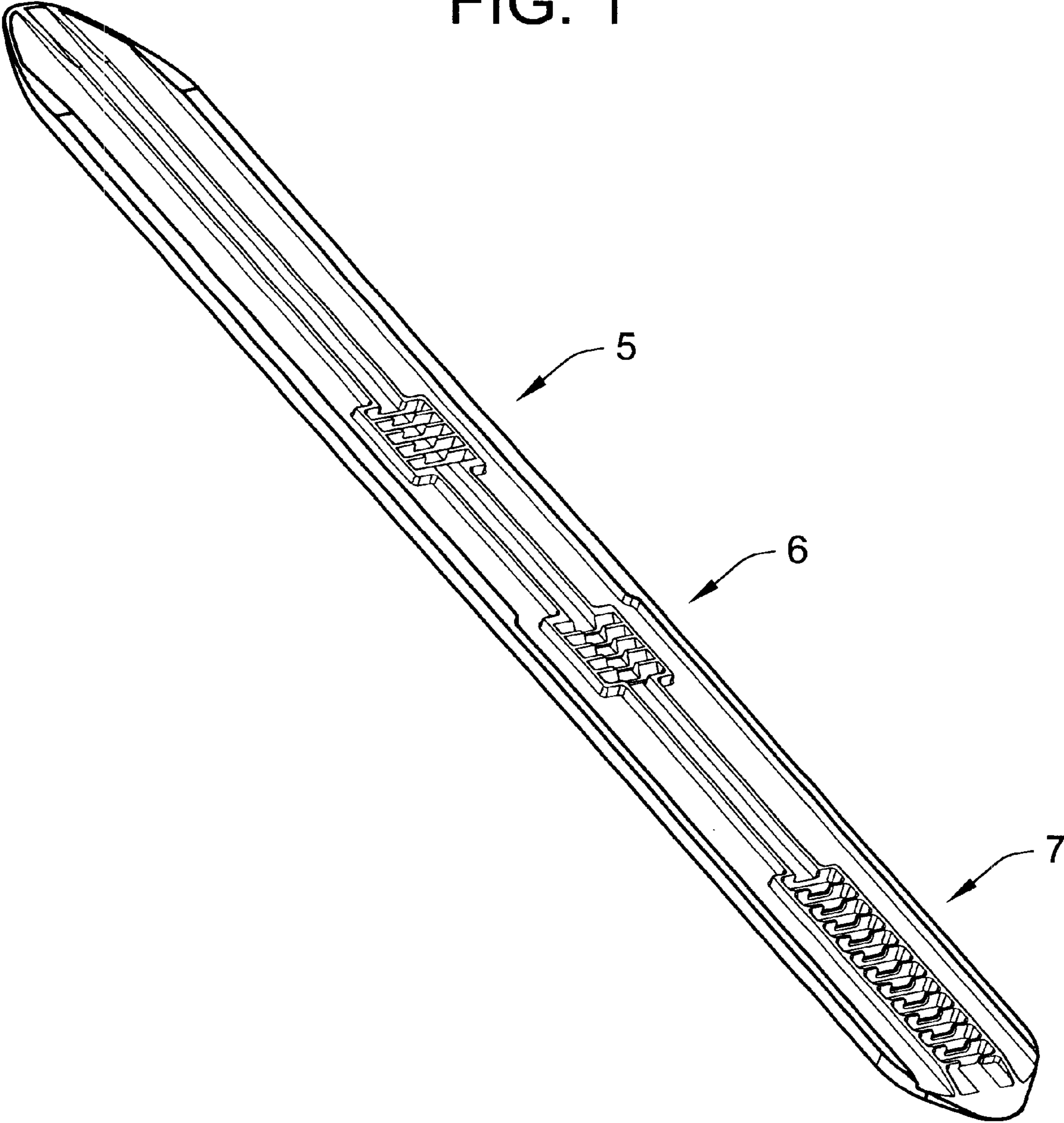


FIG. 2

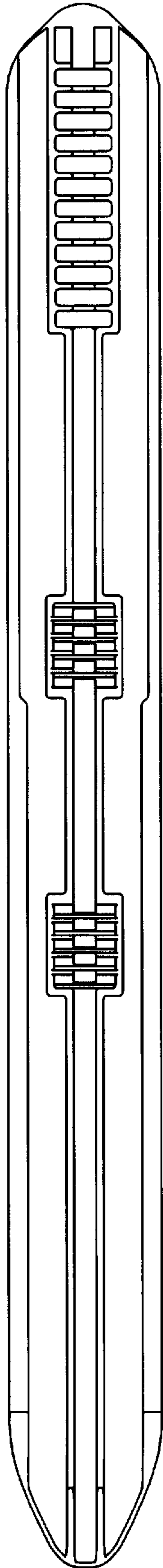


FIG. 3



FIG. 4

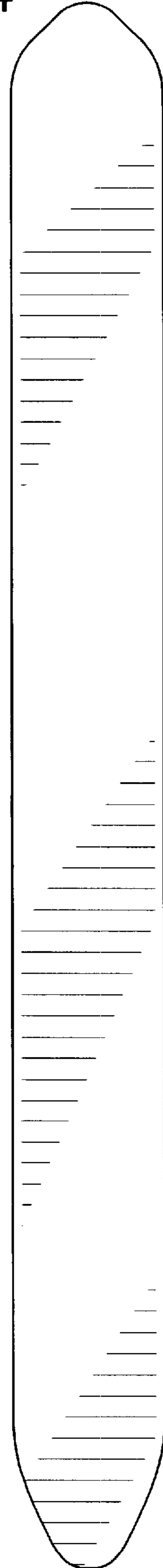




FIG. 5

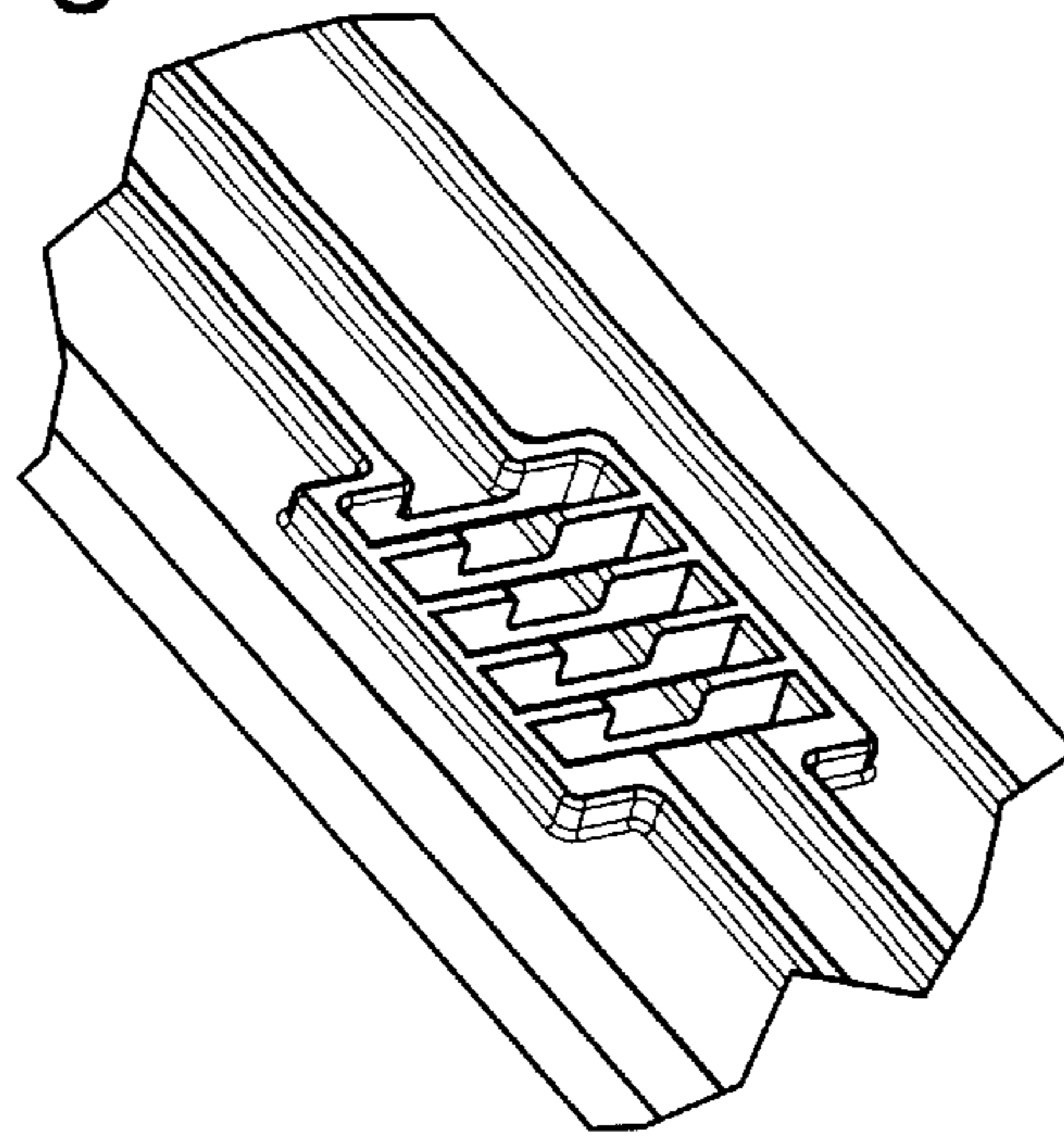


FIG. 6

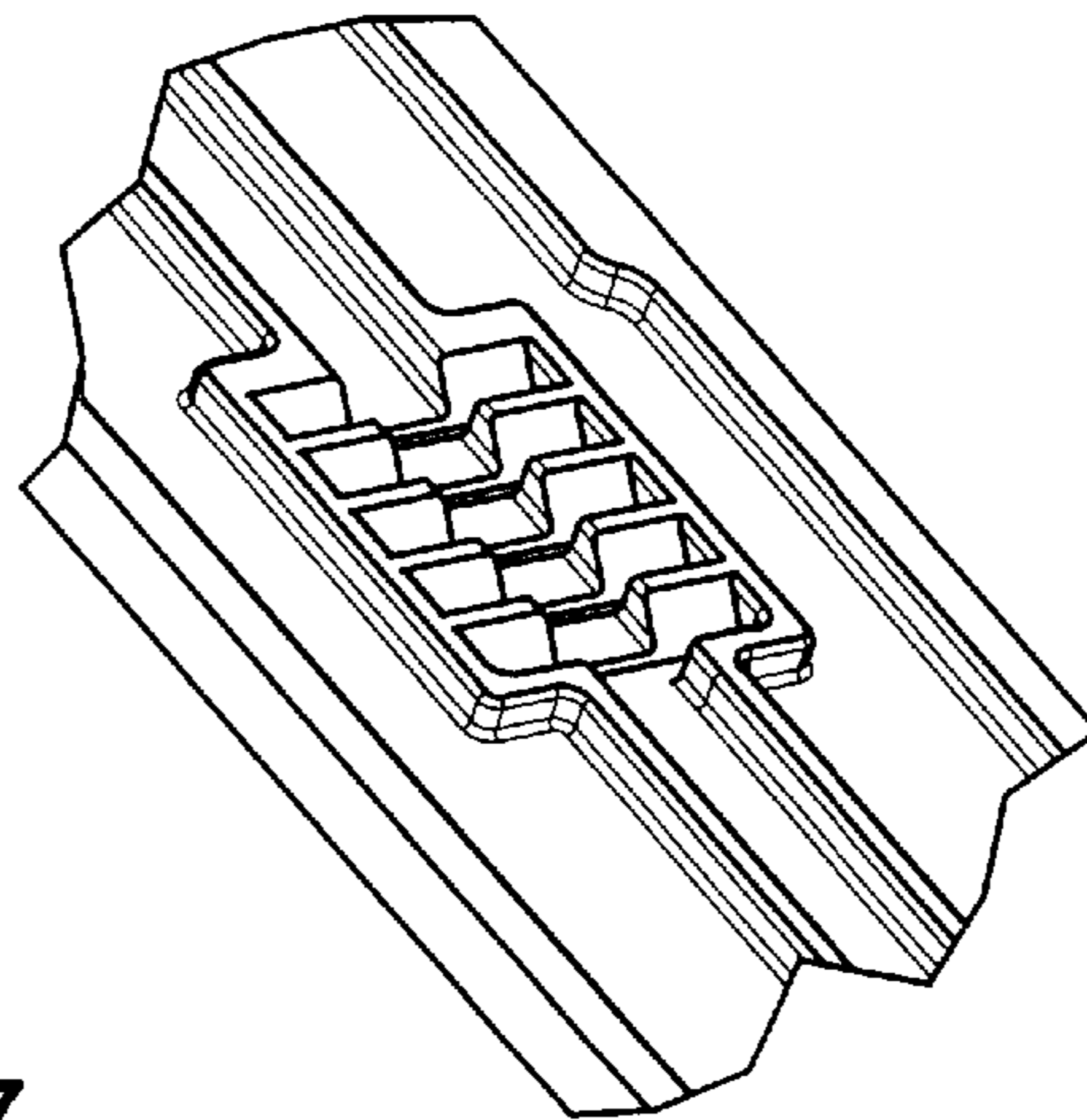


FIG. 7

