



US00D532468S

(12) **United States Design Patent**
Hettinger

(10) **Patent No.:** **US D532,468 S**

(45) **Date of Patent:** **** Nov. 21, 2006**

(54) **PUTTER HEAD**

(75) **Inventor:** **Ronald K. Hettinger**, Oceanside, CA
(US)

(73) **Assignee:** **Callaway Golf Company**, Carlsbad,
CA (US)

(**) **Term:** **14 Years**

(21) **Appl. No.:** **29/246,053**

(22) **Filed:** **Jan. 12, 2006**

(51) **LOC (8) Cl.** **21-02**

(52) **U.S. Cl.** **D21/743**

(58) **Field of Classification Search** D21/736-746;
473/324-331, 340, 341, 251-256
See application file for complete search history.

(56) **References Cited**

U.S. PATENT DOCUMENTS

- D399,911 S * 10/1998 Nicolette et al. D21/736
- D400,610 S * 11/1998 Cameron et al. D21/742
- D445,860 S * 7/2001 Mills D21/736

- D445,861 S * 7/2001 Mills D21/736
- D447,197 S * 8/2001 Mills D21/736
- D455,805 S * 4/2002 Mills D21/736
- D474,253 S * 5/2003 Mills D21/736
- D474,520 S * 5/2003 Mills D21/744

* cited by examiner

Primary Examiner—Mitchell Siegel

(74) *Attorney, Agent, or Firm*—Michael A. Catania; Elaine
H. Lo

(57) **CLAIM**

The ornamental design of a putter head, as shown and
described.

DESCRIPTION

FIG. 1 is a perspective view thereof; and
FIG. 2 is a bottom plan view thereof; and
FIG. 3 is a top plan view thereof; and
FIG. 4 is a front view thereof; and
FIG. 5 is a rear view view thereof; and
FIG. 6 is a toe side view thereof; and,
FIG. 7 is a heel side view thereof.

1 Claim, 2 Drawing Sheets

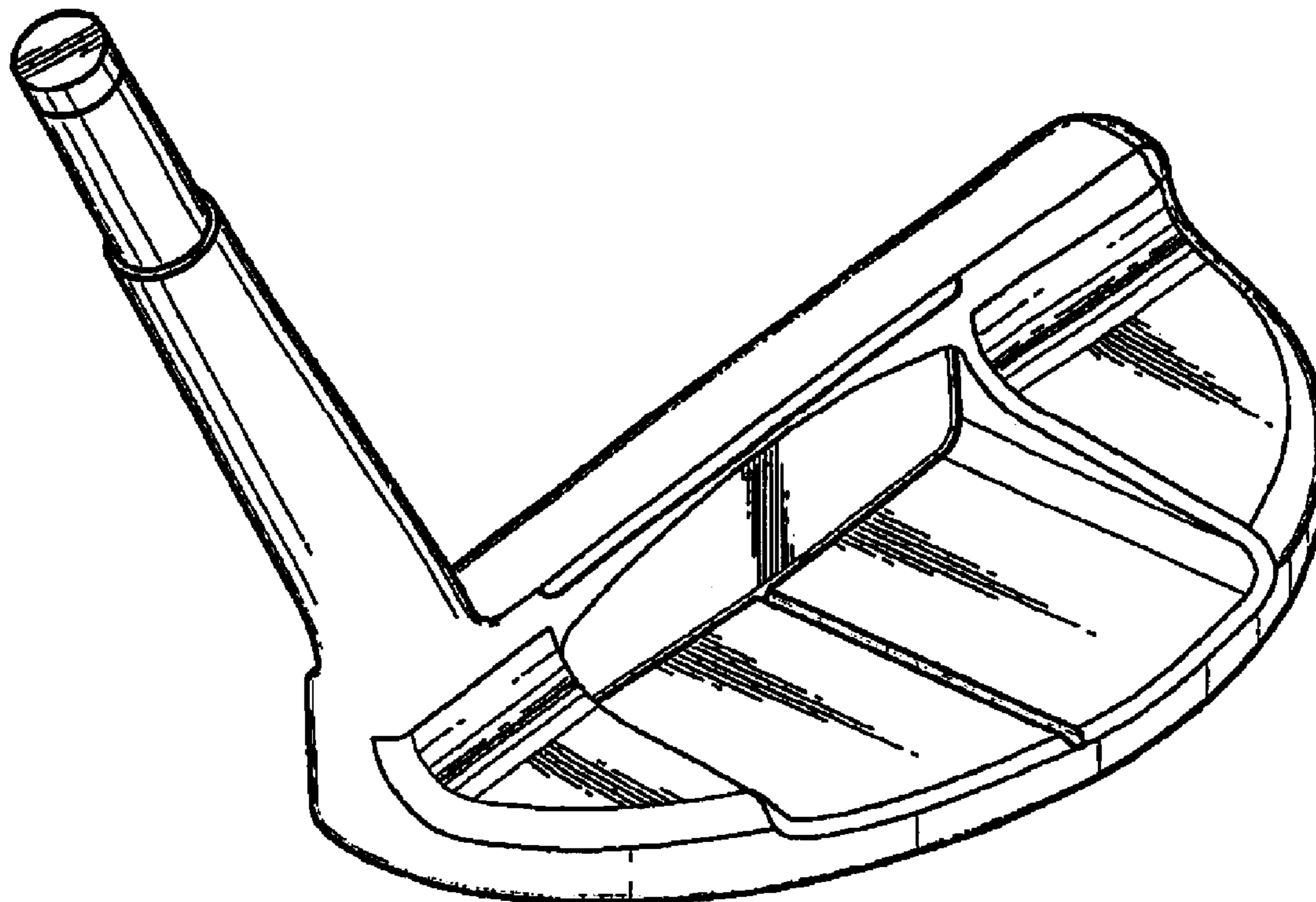


FIG. 1

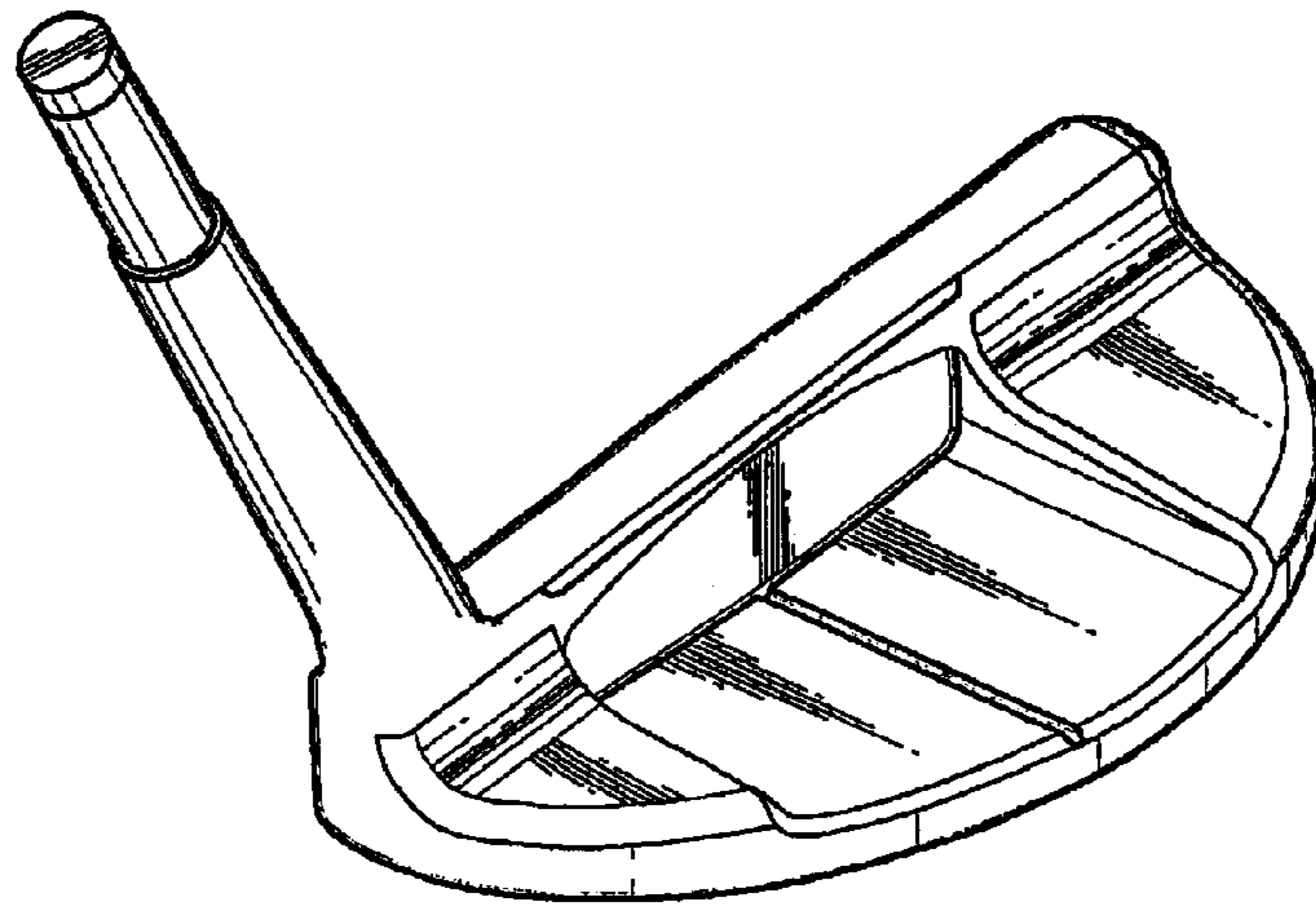


FIG. 2

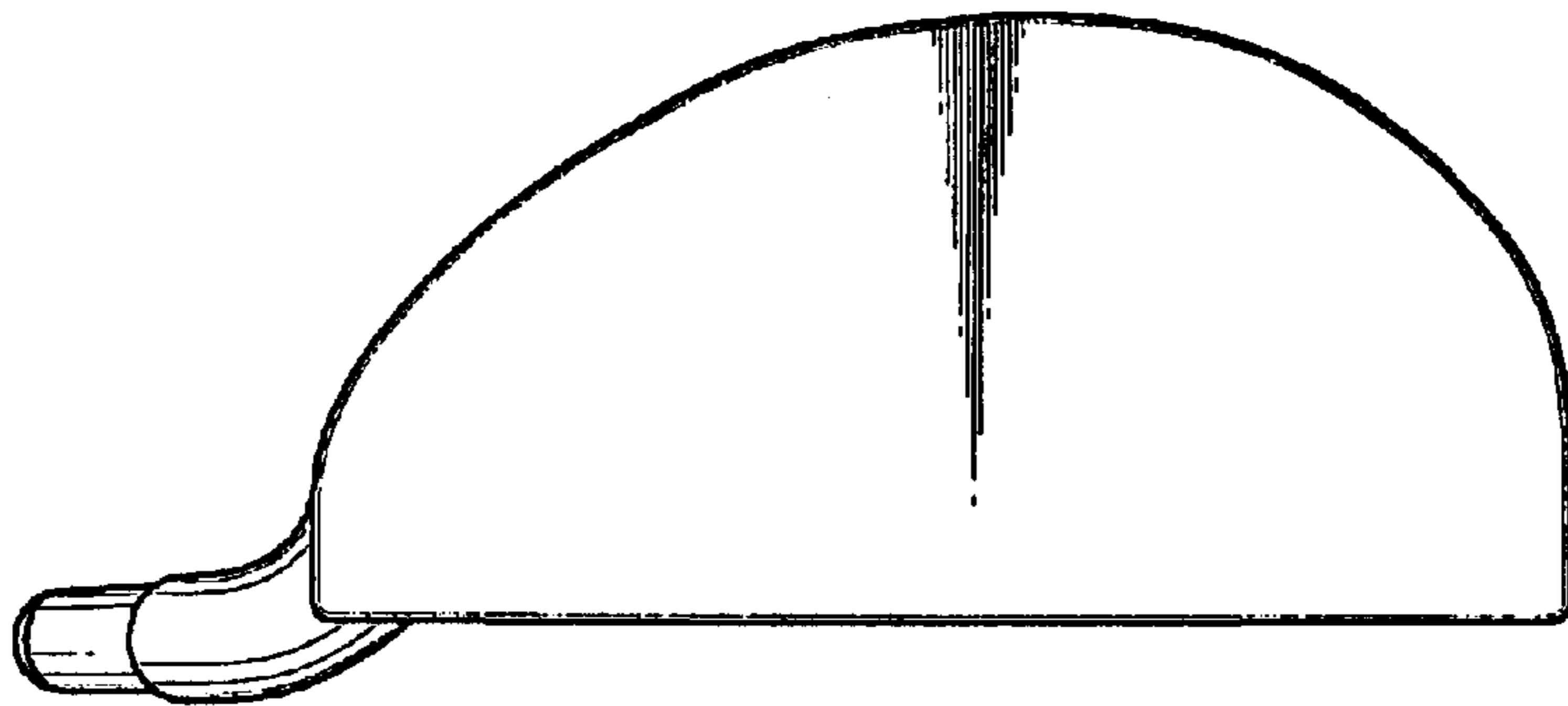
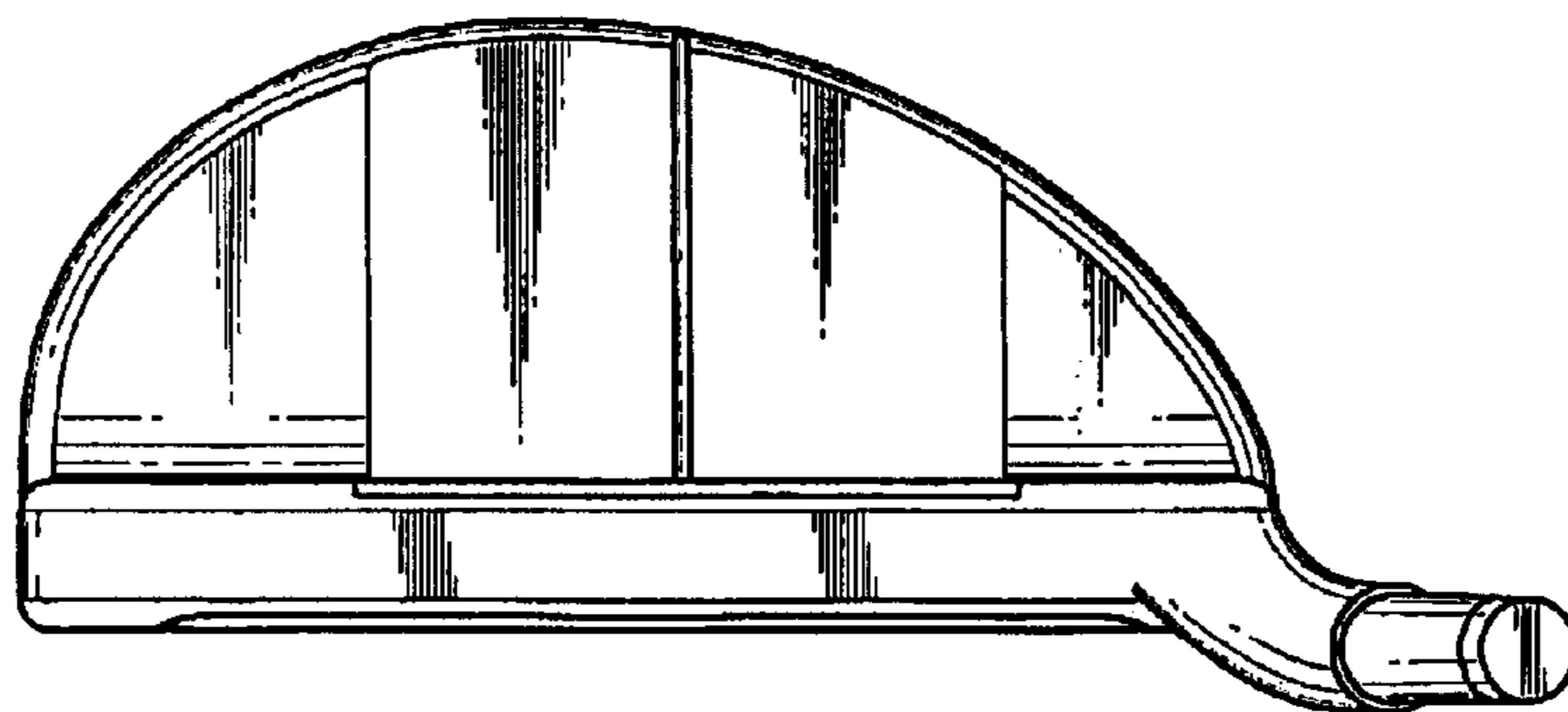


FIG. 3



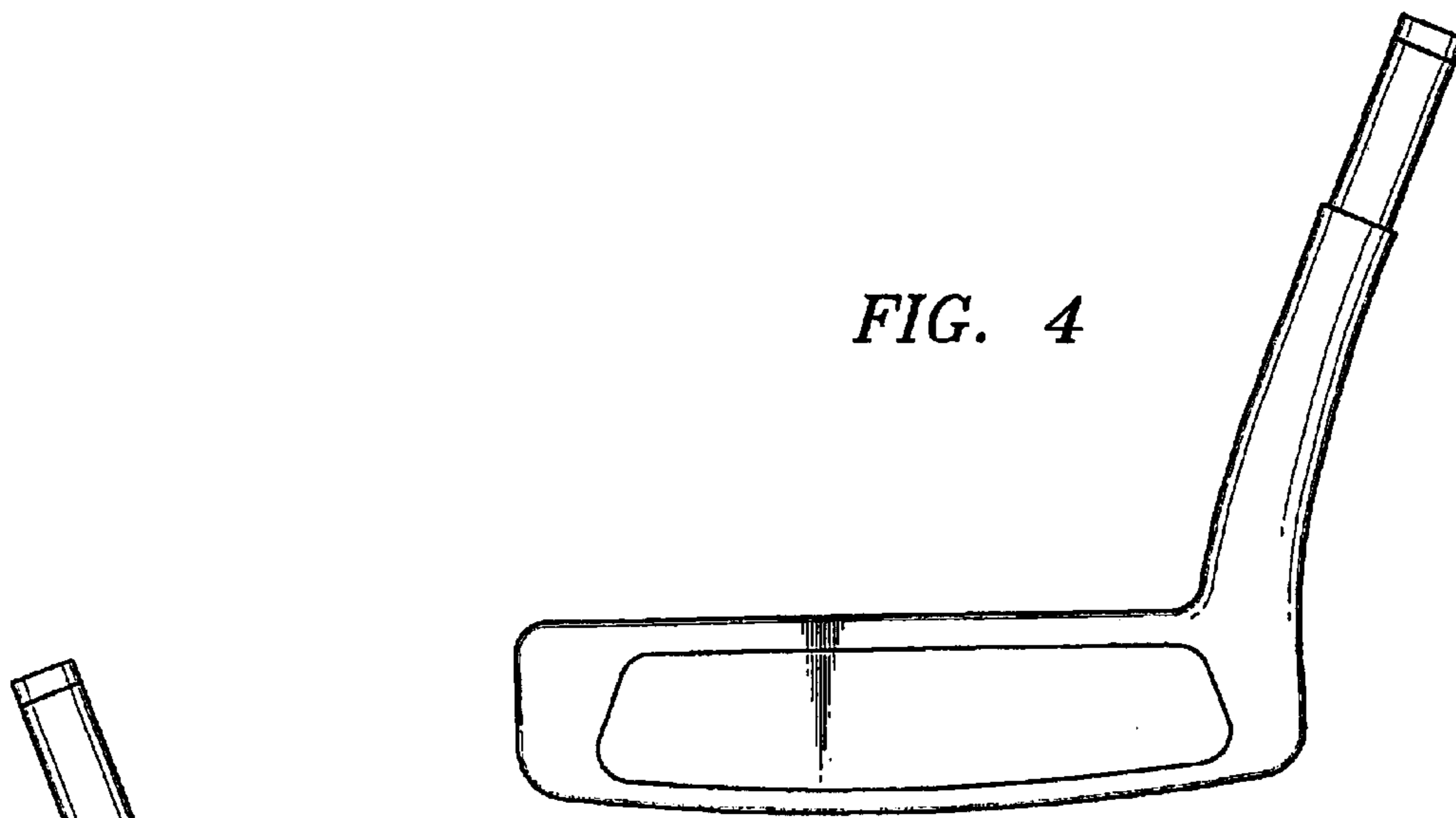


FIG. 4

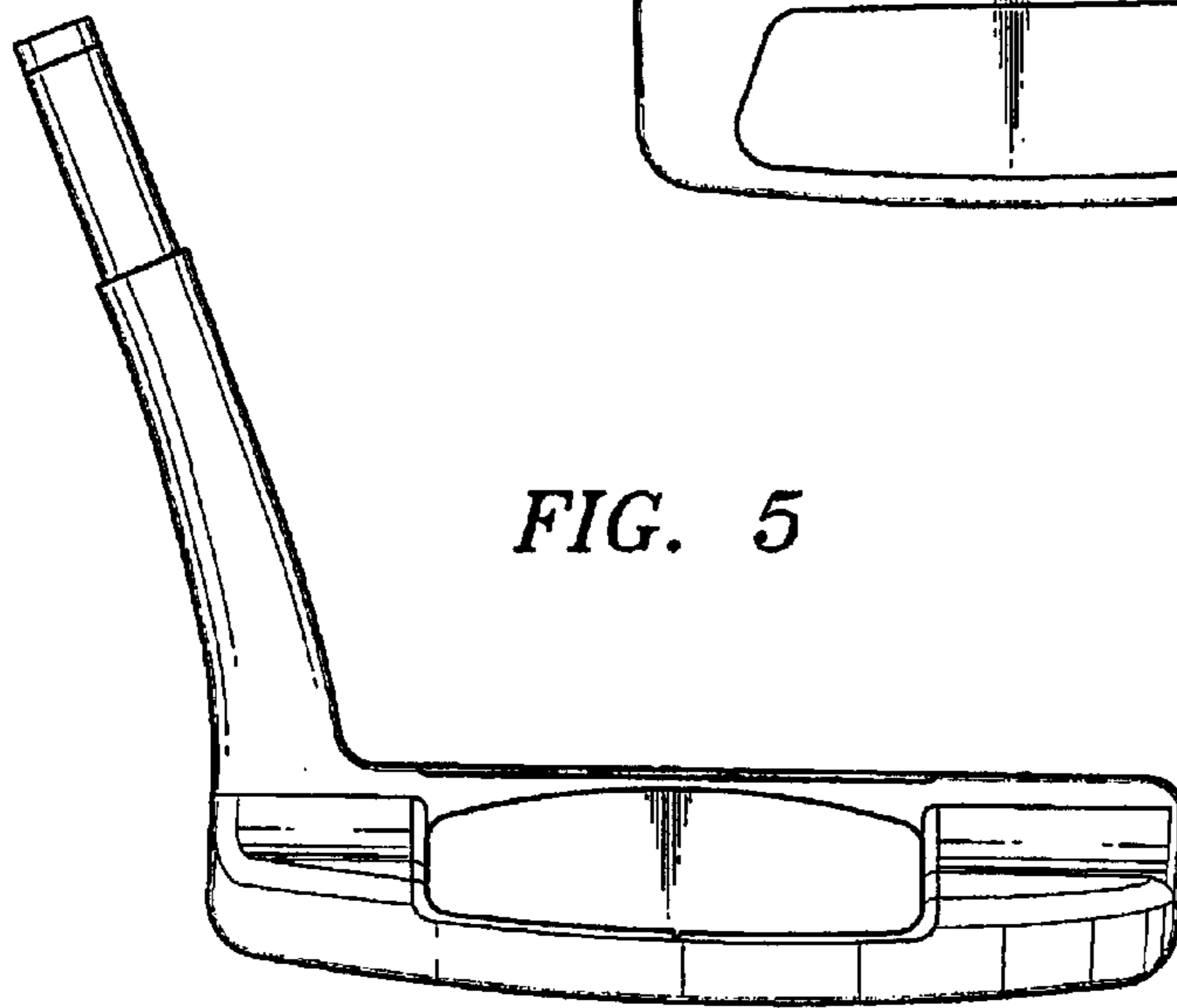


FIG. 5

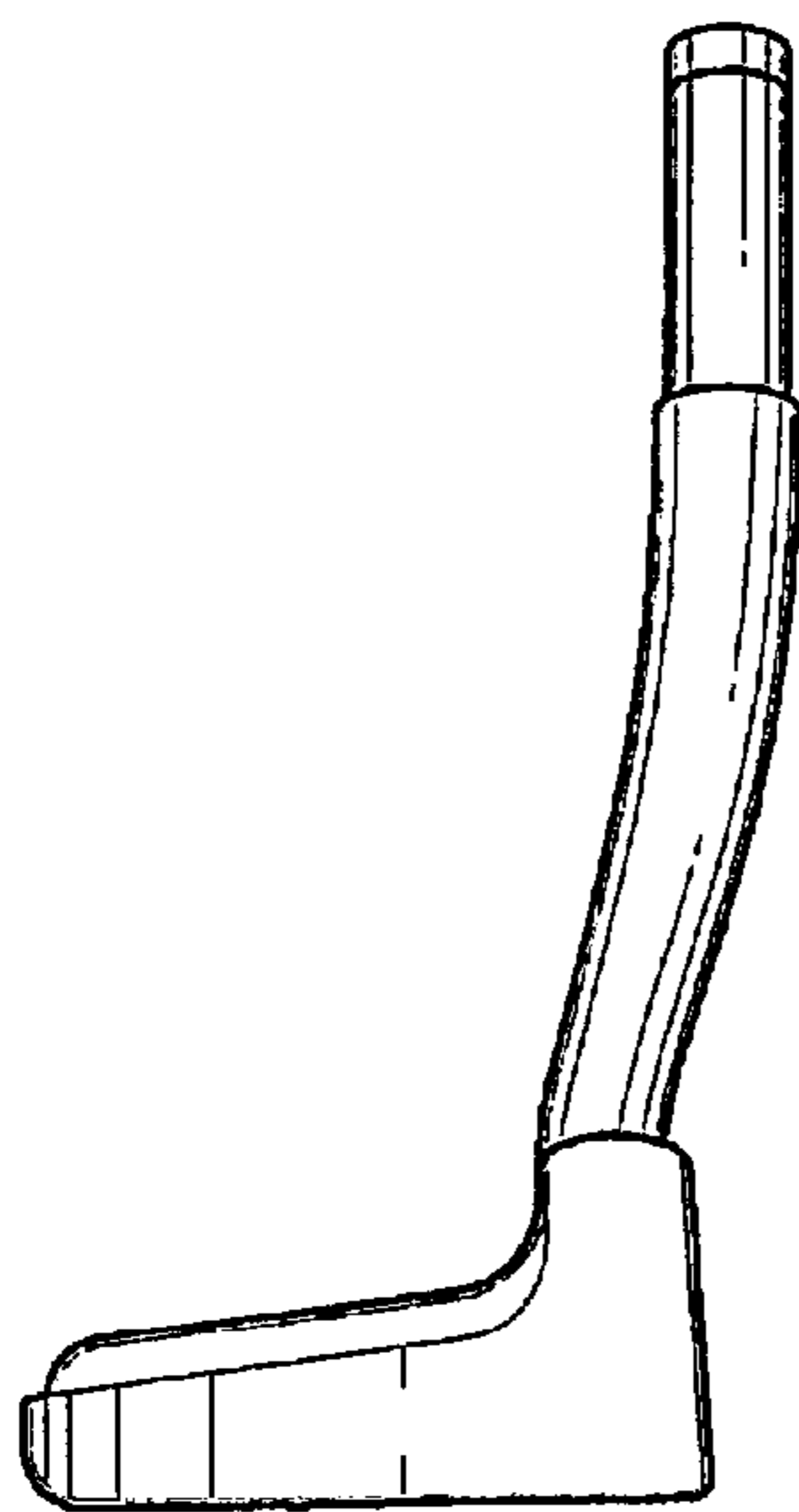


FIG. 6

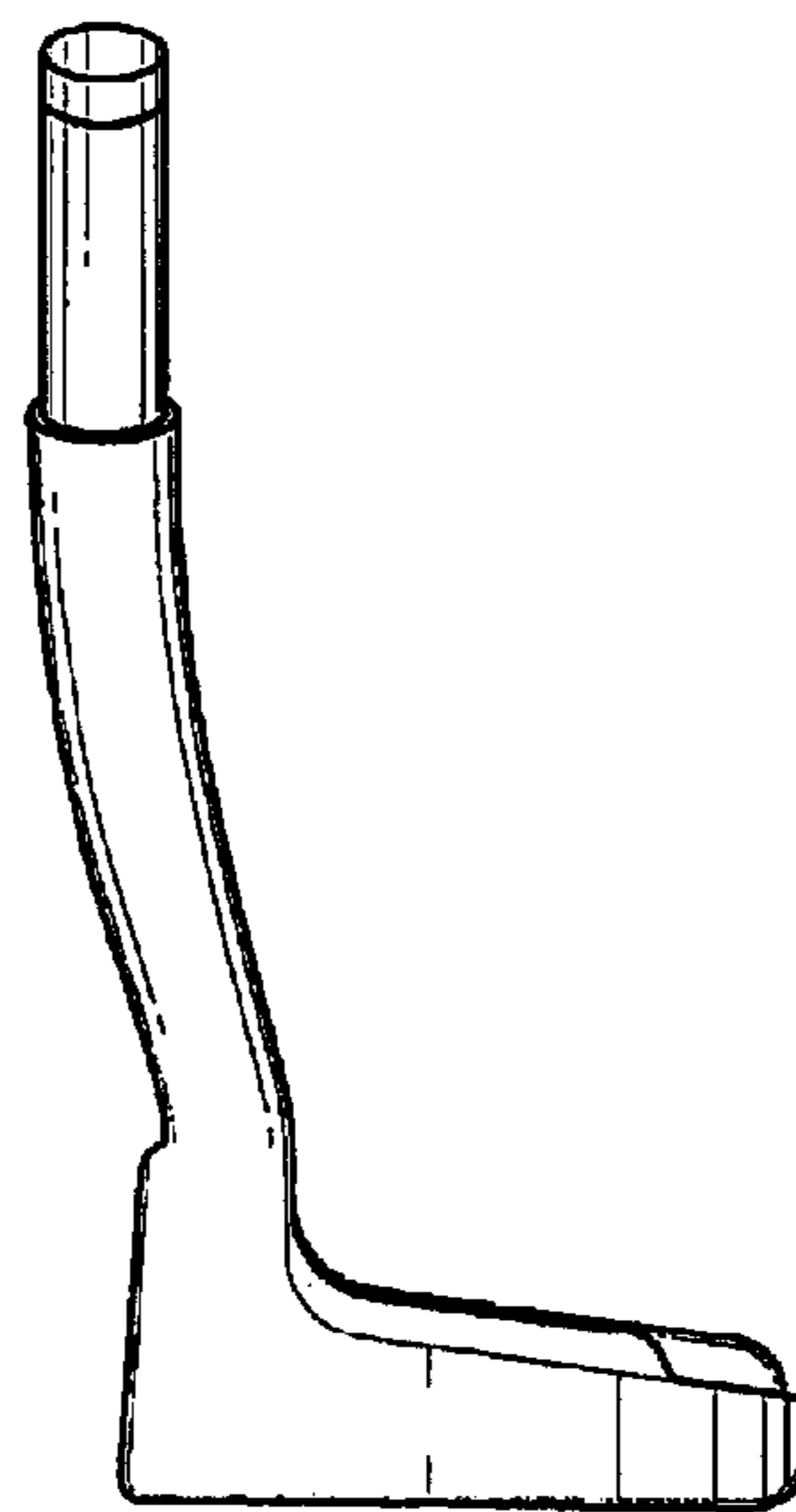


FIG. 7