



US00D532464S

(12) **United States Design Patent**  
**Gershwin**

(10) **Patent No.:** **US D532,464 S**

(45) **Date of Patent:** **\*\* Nov. 21, 2006**

(54) **DOLL STAND**

(76) **Inventor:** **Nancy Z. Gershwin**, 18350 Wilshire Blvd., Penthouse 1, Los Angeles, CA (US) 90024

(\*\*) **Term:** **14 Years**

(21) **Appl. No.:** **29/239,493**

(22) **Filed:** **Sep. 30, 2005**

(51) **LOC (8) Cl.** ..... **21-01**

(52) **U.S. Cl.** ..... **D21/658**

(58) **Field of Classification Search** ..... D21/621, D21/625, 658; D3/900, 902, 201; D20/11, D20/15, 2; D11/203, 229, 46, 78.1

See application file for complete search history.

(56) **References Cited**

**U.S. PATENT DOCUMENTS**

575,348	A	*	1/1897	Hammond	.....	190/16
1,707,101	A	*	3/1929	Taylor	.....	49/41
D135,753	S	*	6/1943	Graeter	.....	D11/78.1
D158,354	S	*	5/1950	Bert	.....	D3/292
D246,409	S	*	11/1977	Ventura	.....	D6/466
D275,973	S	*	10/1984	Marino	.....	D21/469

D308,137	S	*	5/1990	Grecchi	.....	D3/292
D363,959	S	*	11/1995	Grubbs	.....	D21/658
D390,883	S	*	2/1998	Watkins et al.	.....	D20/43
D407,236	S	*	3/1999	Latta	.....	D6/437
D499,883	S	*	12/2004	Perella et al.	.....	D3/276

\* cited by examiner

*Primary Examiner*—Caron D. Veynar

*Assistant Examiner*—Zenia I. Bennett

(74) *Attorney, Agent, or Firm*—Blakely, Sokoloff, Taylor & Zafman, LLP

(57) **CLAIM**

The ornamental design for a doll stand, as shown and described.

**DESCRIPTION**

FIG. 1 is a right corner perspective view of a doll stand.

FIG. 2 is a top view of the doll stand.

FIG. 3 is a bottom view of the doll stand.

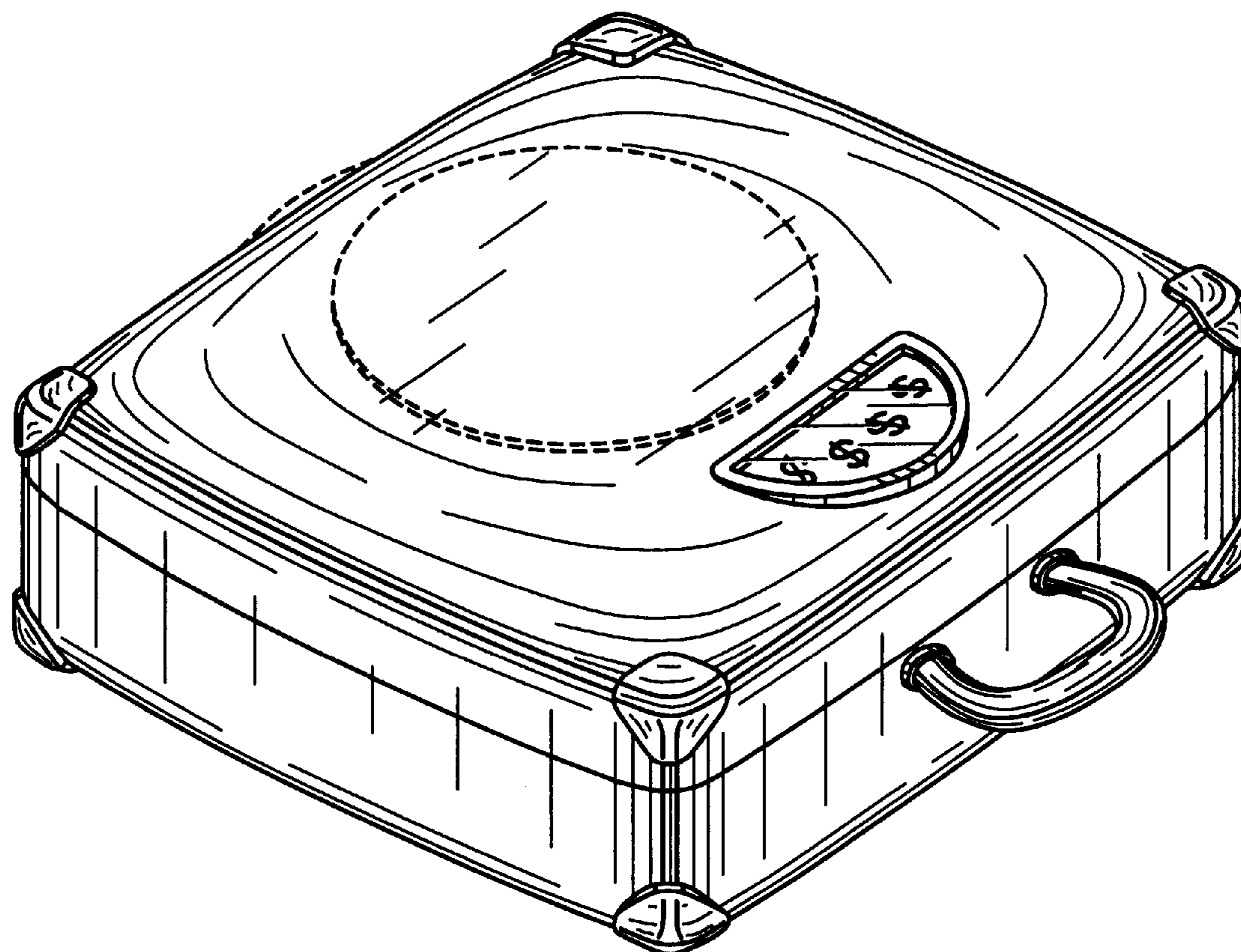
FIG. 4 is a front side view of the doll stand.

FIG. 5 is a rear side view of the doll stand.

FIG. 6 is a left side view of the doll stand; and,

FIG. 7 is a right side view of the doll stand.

**1 Claim, 5 Drawing Sheets**



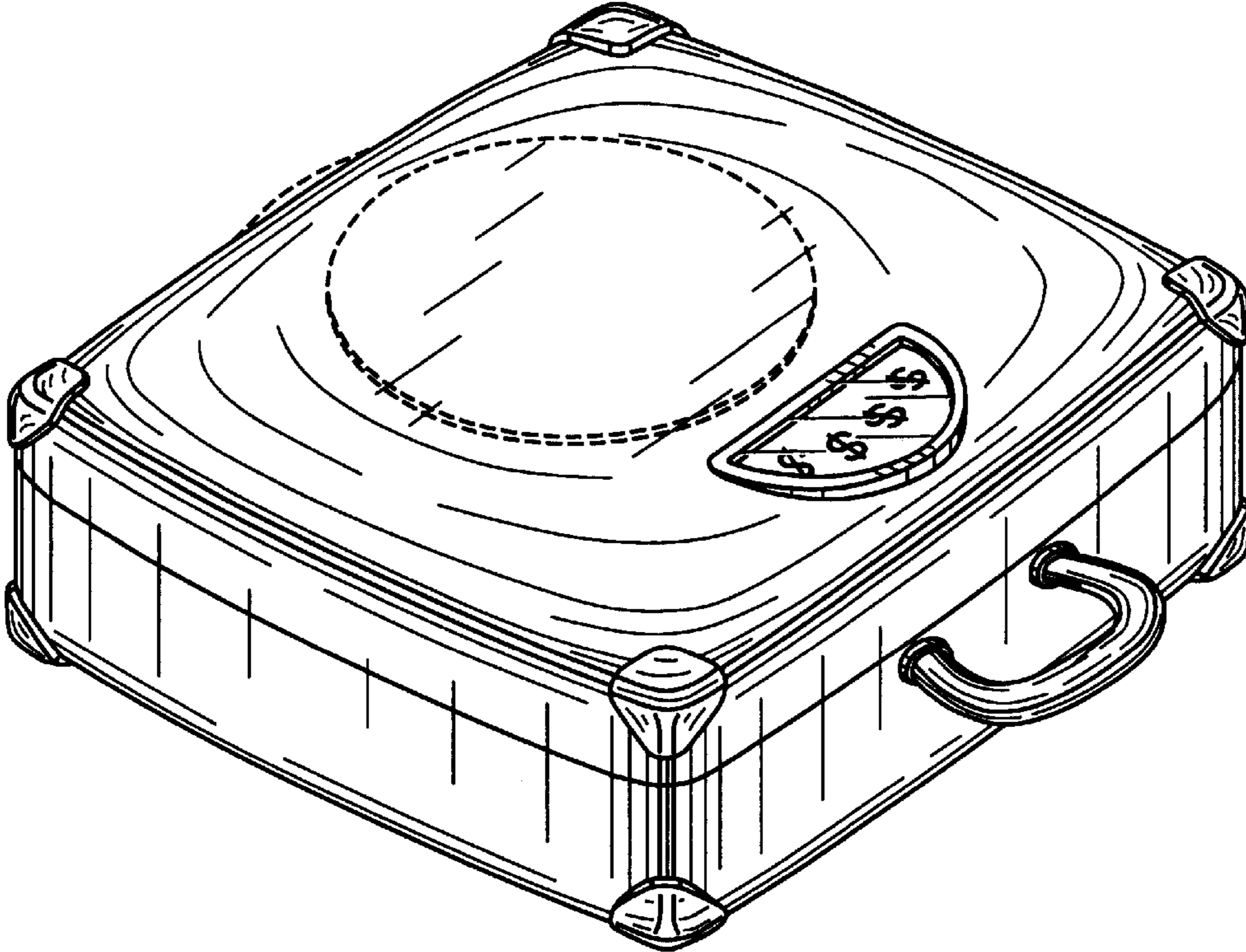


FIG. 1

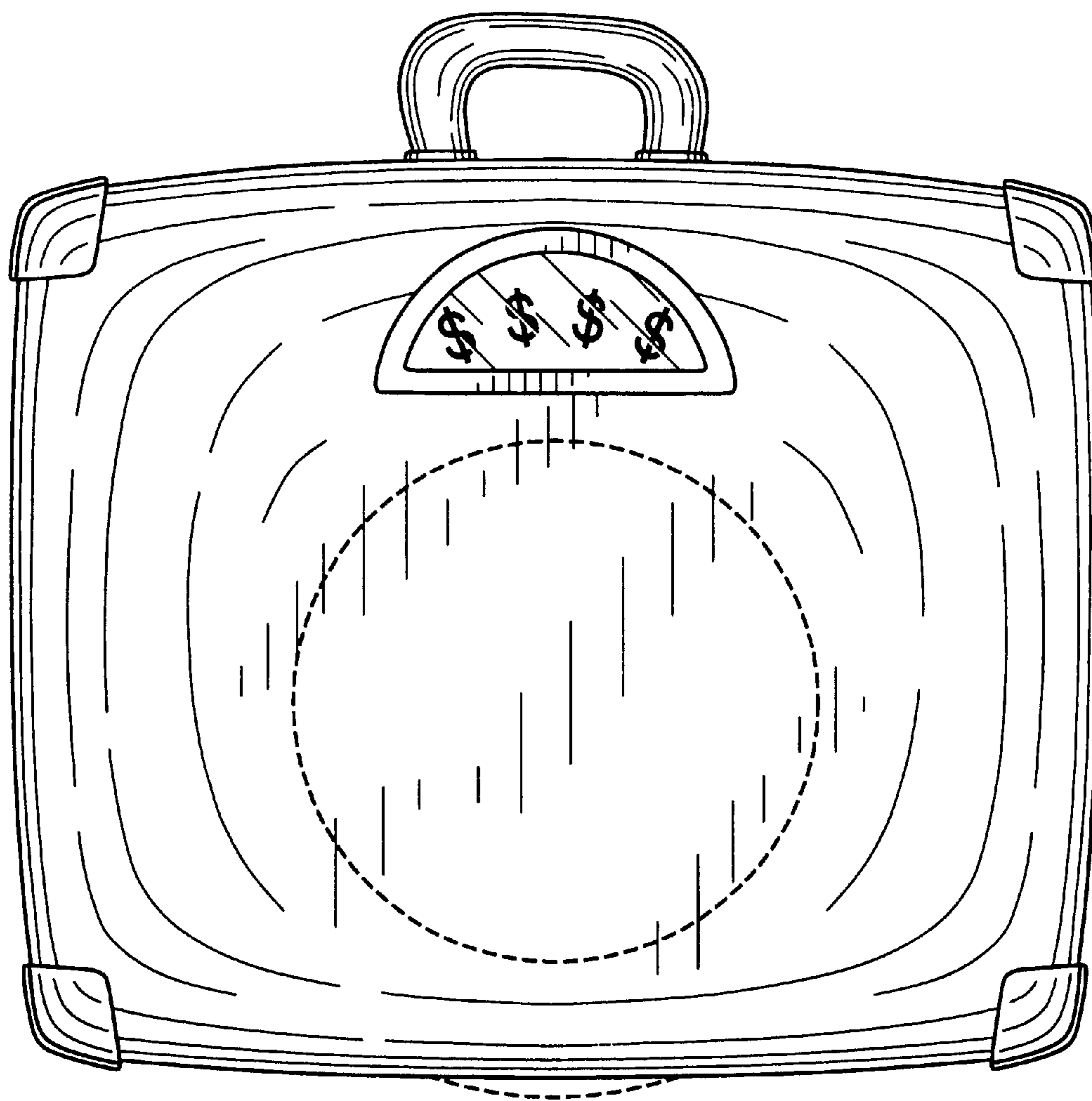


FIG. 2

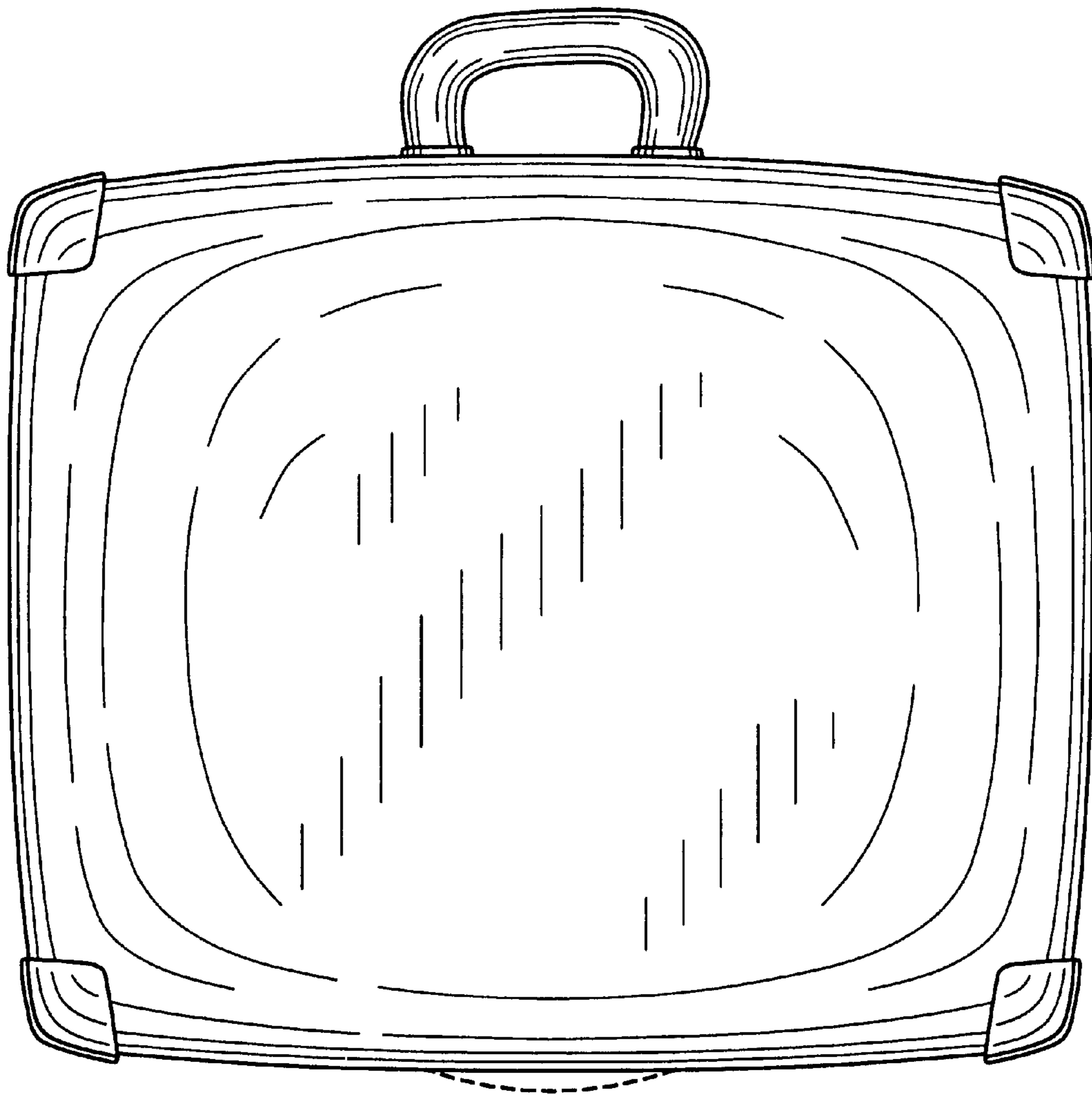


FIG. 3

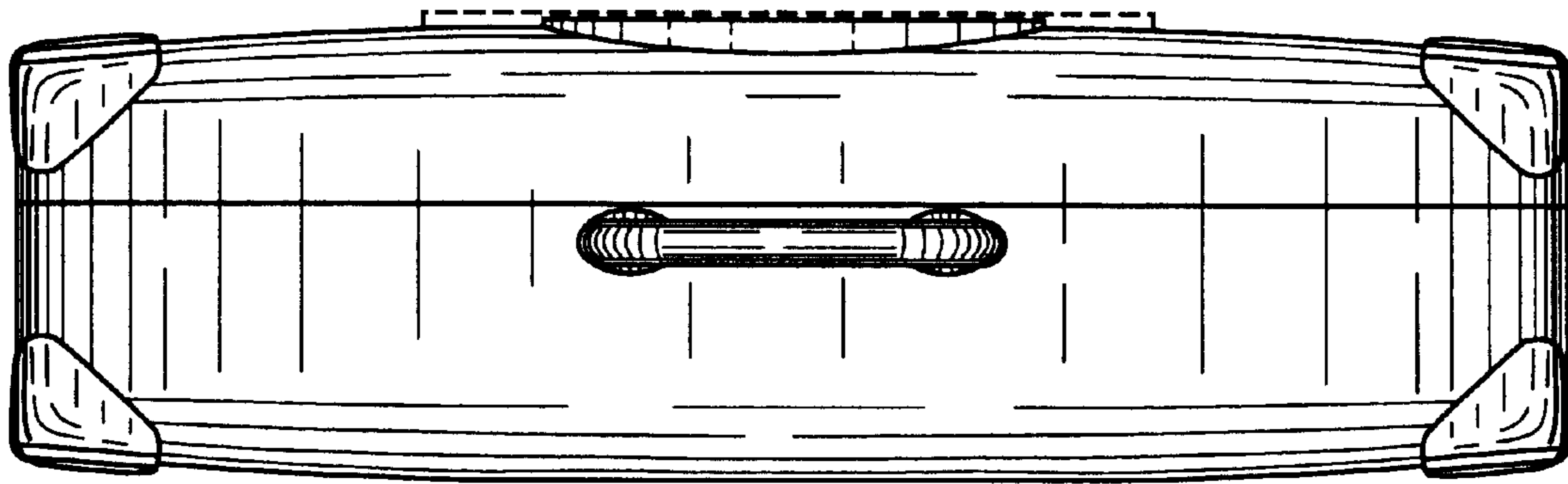


FIG. 4

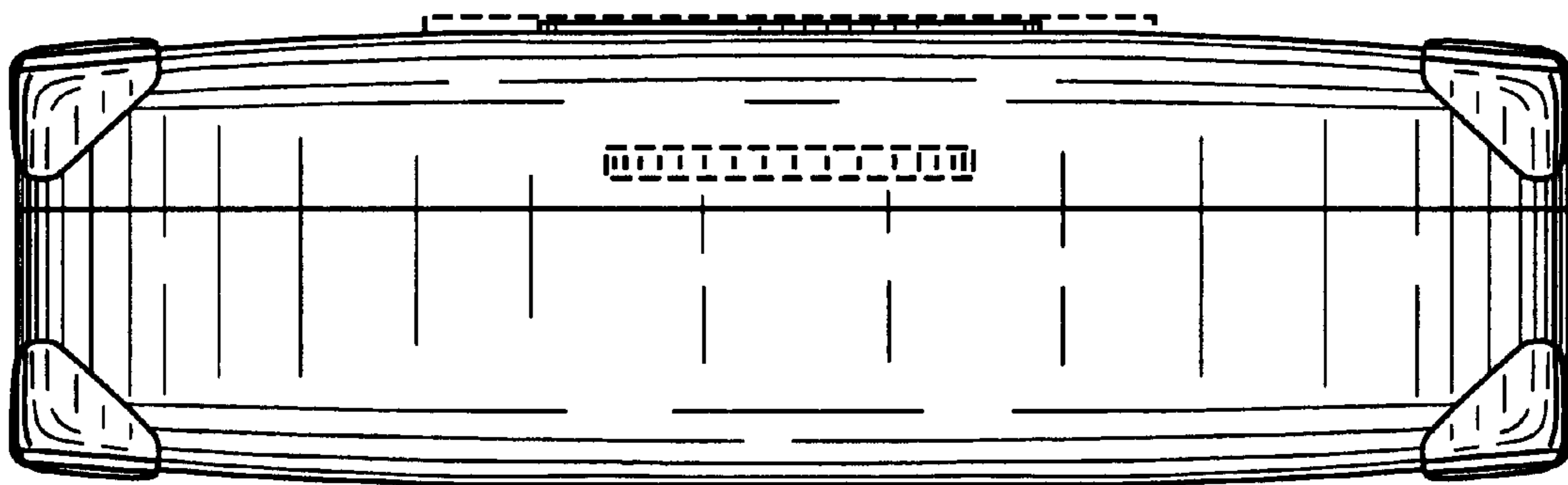


FIG. 5

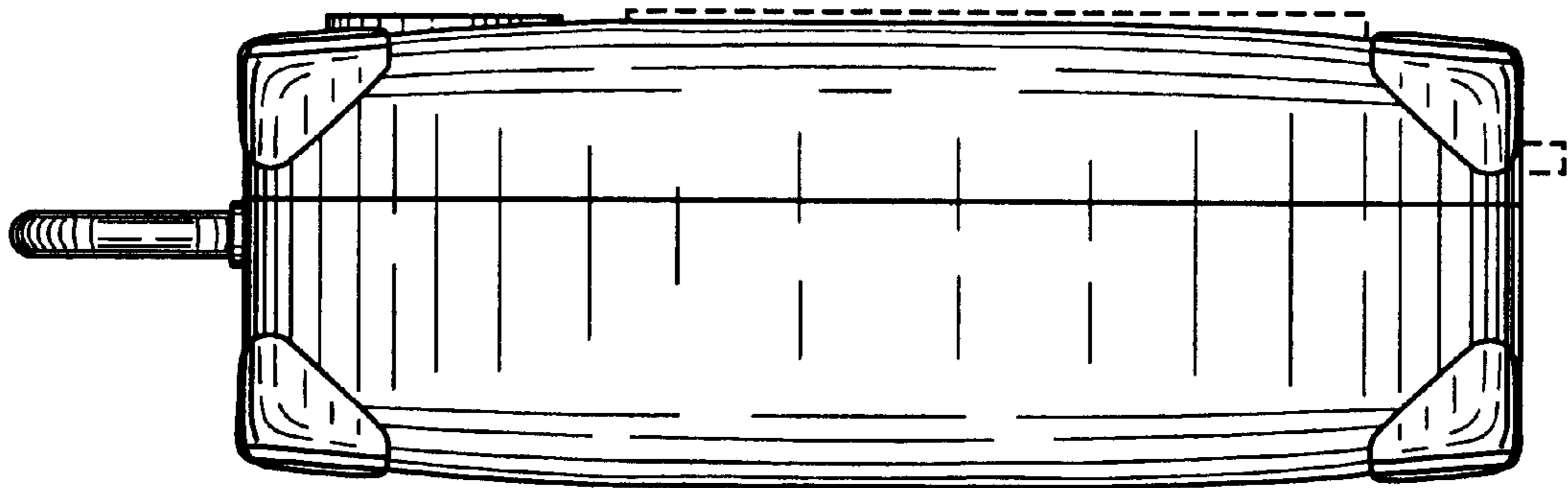


FIG. 6

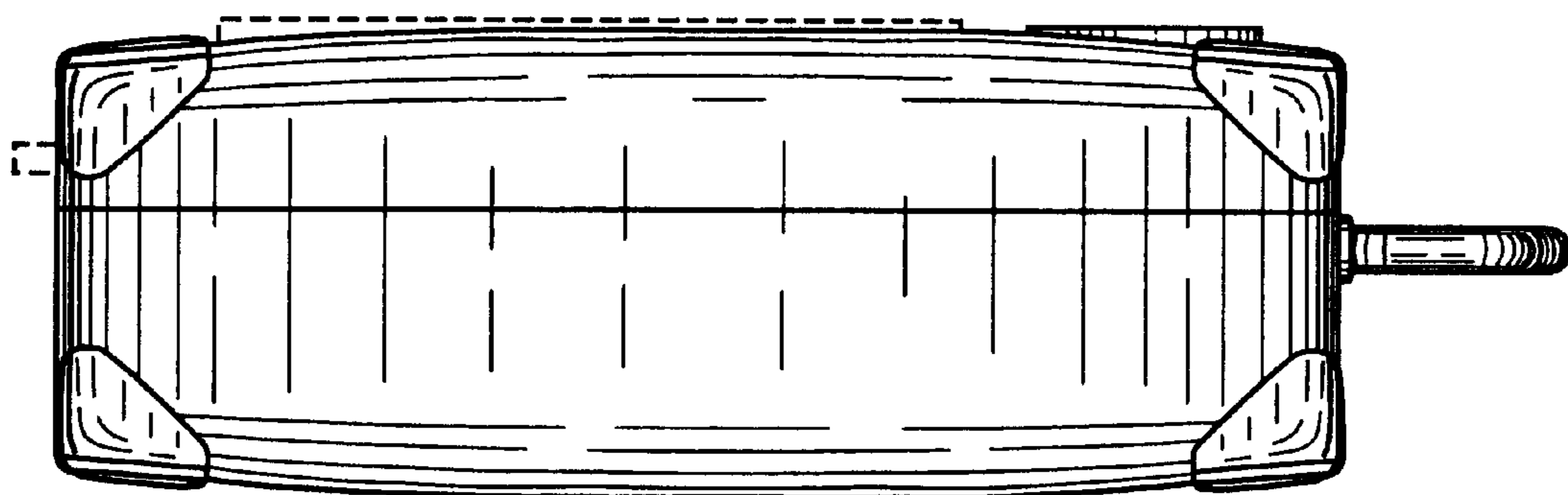


FIG. 7