



US00D532451S

(12) **United States Design Patent**  
**Ito et al.**

(10) **Patent No.:** **US D532,451 S**

(45) **Date of Patent:** **\*\* Nov. 21, 2006**

(54) **PRINTER FOR CLOTH**

(75) Inventors: **Kazuo Ito**, Aichi-gun (JP); **Katsumi Tsuruta**, Nagoya (JP)

(73) Assignee: **Brother Industries, Ltd.**, Nagoya (JP)

(\*\*) Term: **14 Years**

(21) Appl. No.: **29/232,196**

(22) Filed: **Jun. 16, 2005**

(30) **Foreign Application Priority Data**

Dec. 24, 2004 (JP) ..... 2004-039675

(51) **LOC (8) Cl.** ..... **18-02**

(52) **U.S. Cl.** ..... **D18/55**

(58) **Field of Classification Search** ..... D18/36-39,  
D18/53-54, 54.1, 55; D14/420-425, 356-357,  
D14/361-363; D16/246-248, 237; 399/107;  
400/613, 613.1-613.4, 691-694; 101/126,  
101/474; 347/104

See application file for complete search history.

(56) **References Cited**

**U.S. PATENT DOCUMENTS**

- 4,254,708 A \* 3/1981 Bublely et al. .... 101/123
- D260,903 S \* 9/1981 Overman ..... D18/36
- D295,179 S \* 4/1988 Feger et al. .... D18/54
- D314,787 S \* 2/1991 Gotham ..... D18/36
- D337,782 S \* 7/1993 Kashiwabara ..... D18/55
- D352,054 S \* 11/1994 Yomo et al. .... D18/36
- D358,603 S \* 5/1995 Dodge et al. .... D18/55
- 5,438,922 A \* 8/1995 Bublely et al. .... 101/123
- D366,652 S \* 1/1996 Ichinose ..... D14/422
- D372,733 S \* 8/1996 Yoshida ..... D18/55
- D382,894 S \* 8/1997 Berriman et al. .... D18/55

- D419,973 S \* 2/2000 Ueda ..... D14/434
- D429,759 S \* 8/2000 Dwyer et al. .... D18/55
- 6,095,628 A \* 8/2000 Rhome ..... 347/4
- D434,069 S \* 11/2000 McGlashan et al. .... D18/55
- 7,040,748 B1 \* 5/2006 Niimi et al. .... 347/104
- 2002/0090246 A1 \* 7/2002 Baker et al. .... 400/693
- 2005/0263017 A1 \* 12/2005 Chen ..... 101/126

**OTHER PUBLICATIONS**

- U.S. Appl. No. 29/203,660, filed Apr. 19, 2004, Ito.
- U.S. Appl. No. 29/203,658, filed Apr. 19, 2004, Niimi et al.
- U.S. Appl. No. 29/203,659, filed Apr. 19, 2004, Ito.
- U.S. Appl. No. 29/203,655, filed Apr. 19, 2004, Watarai.

\* cited by examiner

*Primary Examiner*—Cathy Anne MacCormac

(74) *Attorney, Agent, or Firm*—Oliff & Berridge, PLC

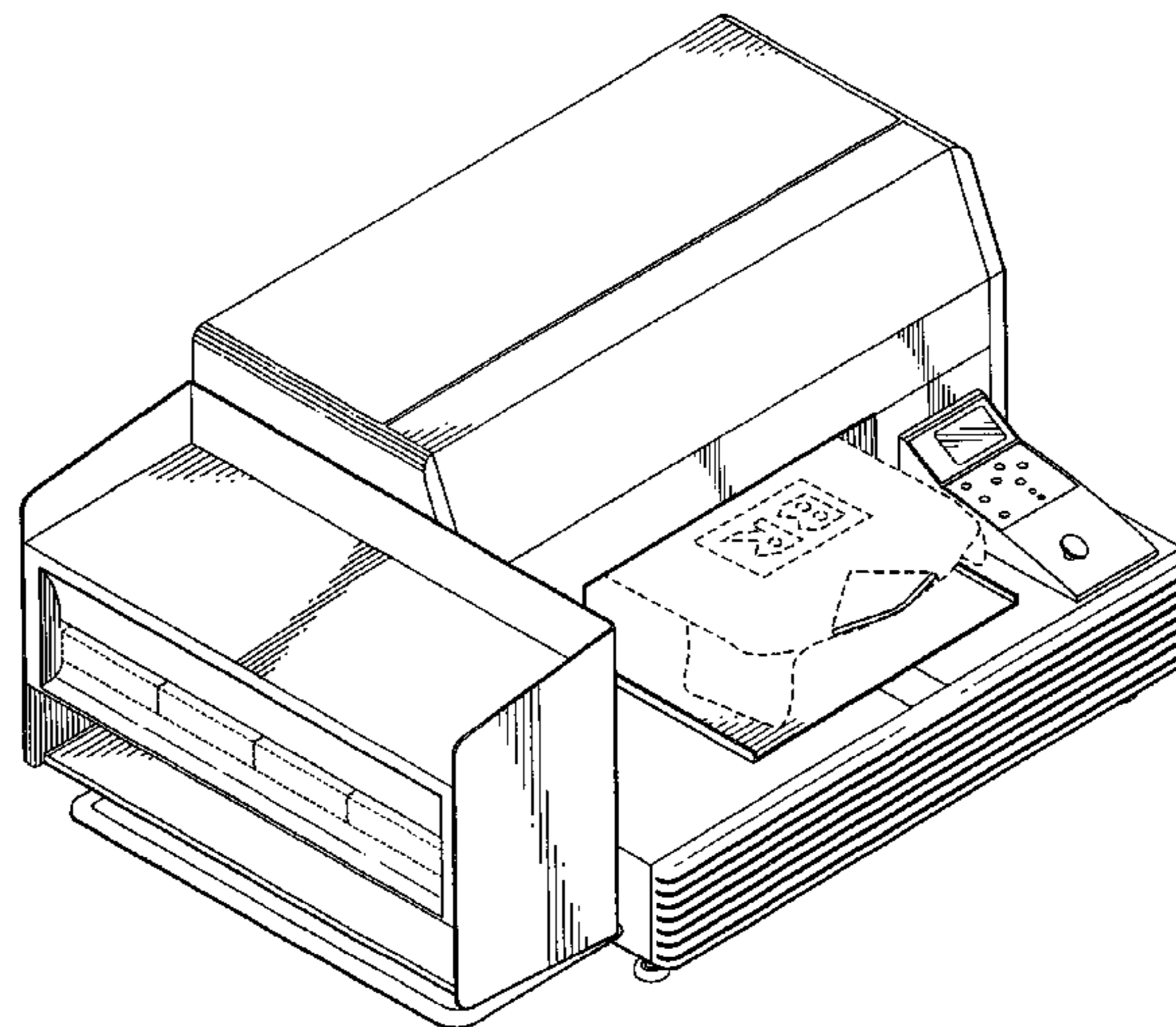
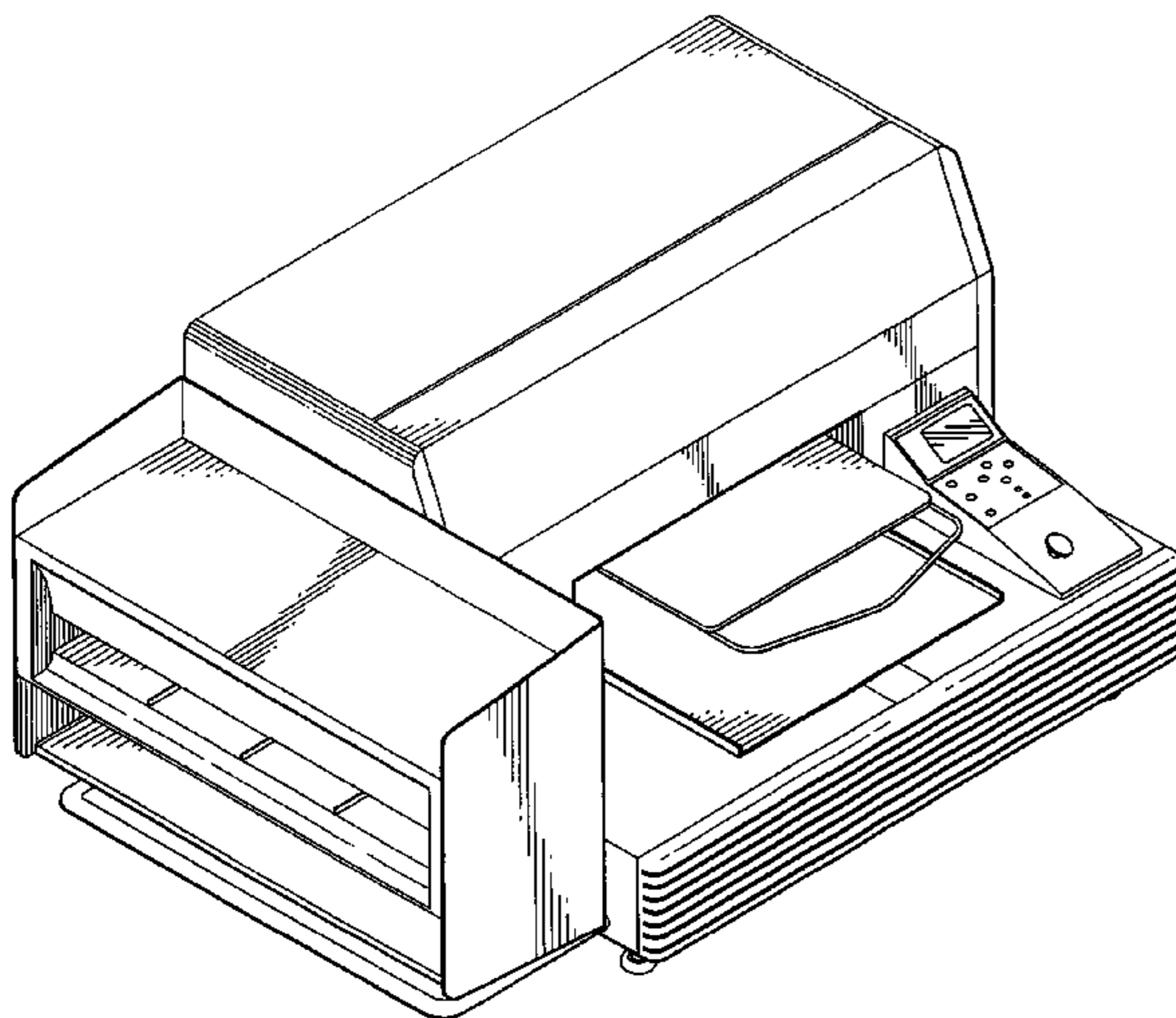
(57) **CLAIM**

The ornamental design for a printer for cloth, as shown and described.

**DESCRIPTION**

FIG. 1 is a perspective view of a printer for cloth;  
 FIG. 2 is a front view thereof;  
 FIG. 3 is a top view thereof;  
 FIG. 4 is a right-side view thereof;  
 FIG. 5 is a left-side view thereof;  
 FIG. 6 is a rear view thereof;  
 FIG. 7 is a bottom view; and,  
 FIG. 8 is a perspective view similar to FIG. 1 and illustrating in broken lines ink cartridges and cloth mounted on the printer.  
 The broken lines are for illustrative purposes only and form no part of the claimed design.

**1 Claim, 8 Drawing Sheets**



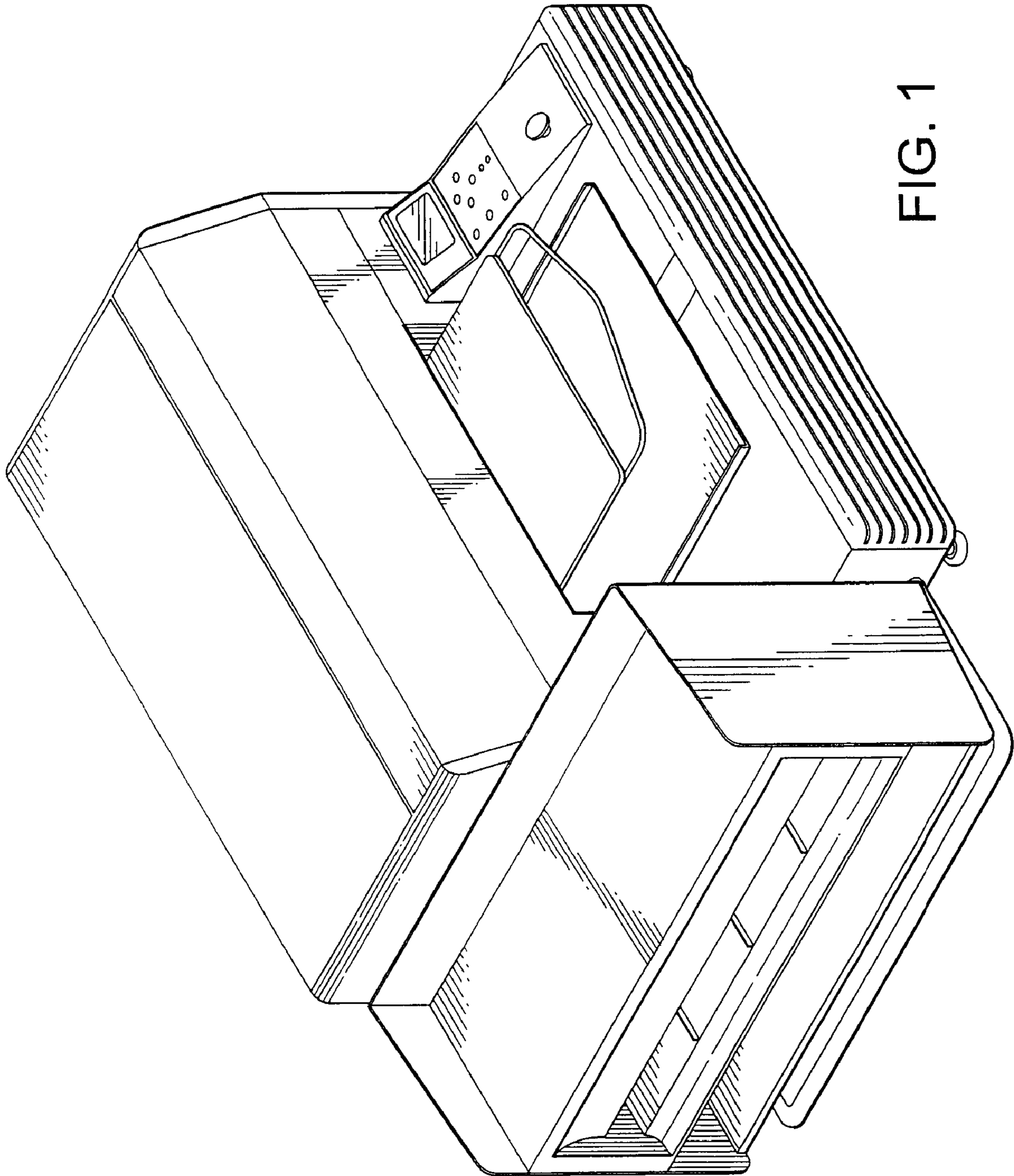


FIG. 1

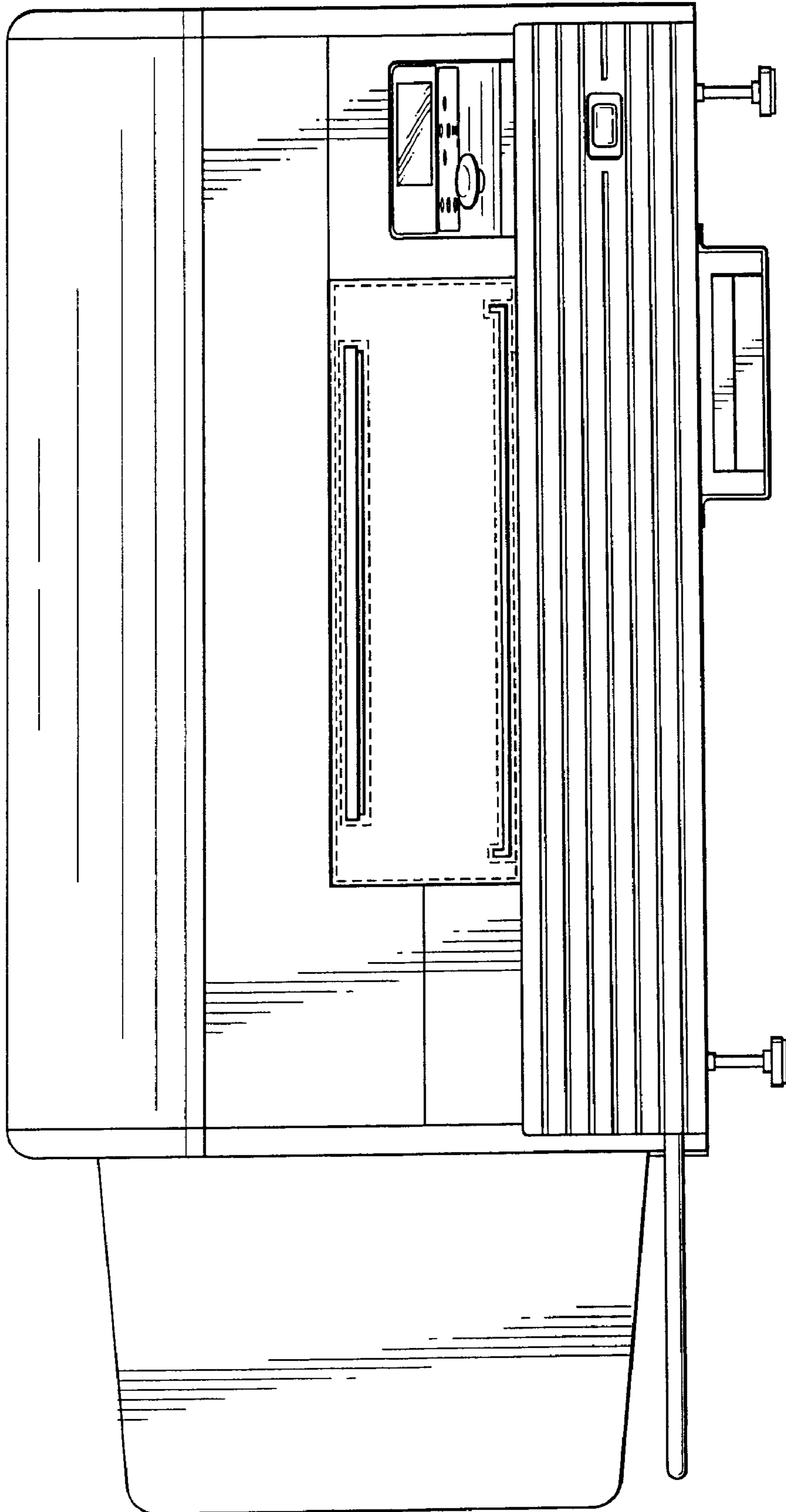


FIG. 2

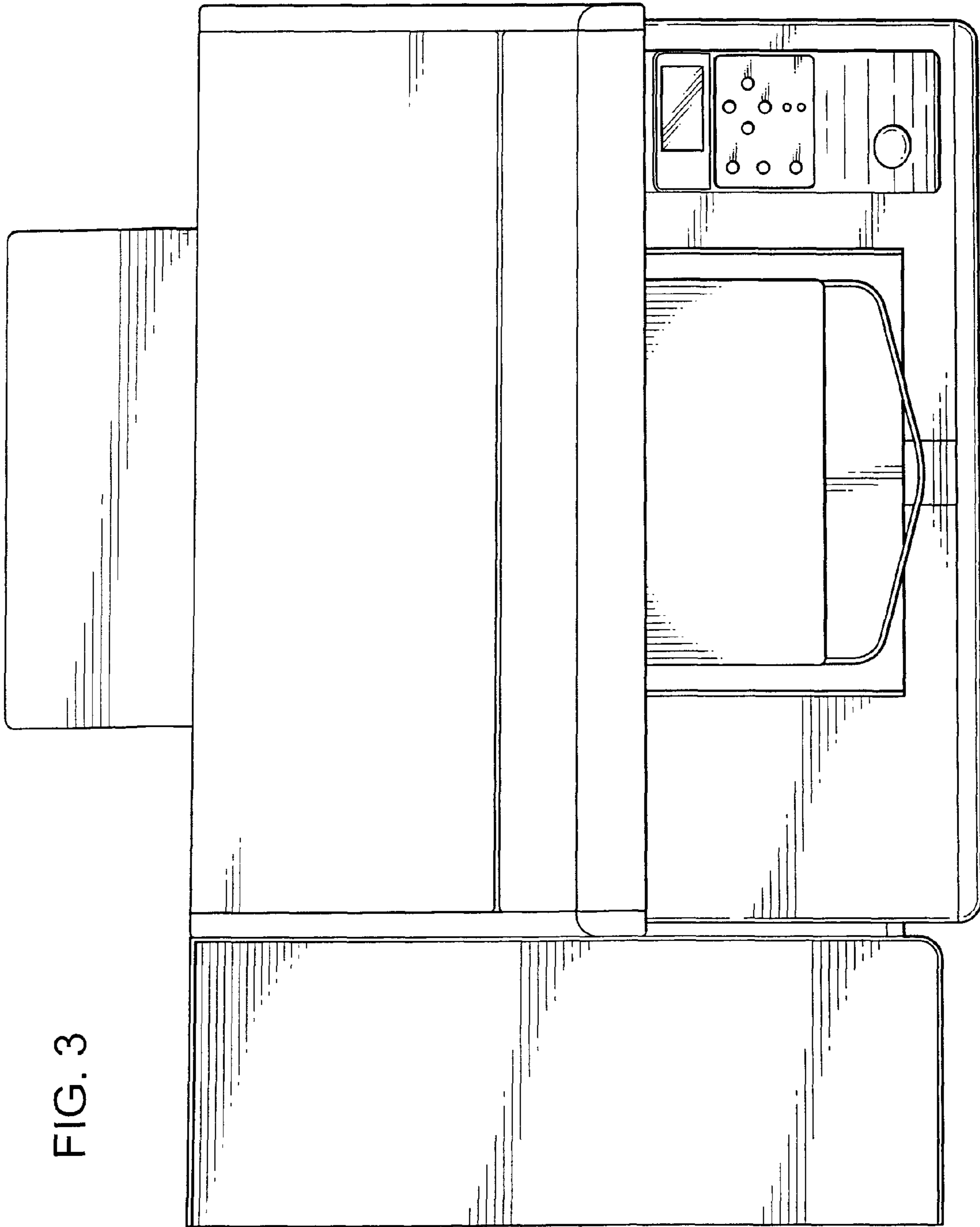


FIG. 3

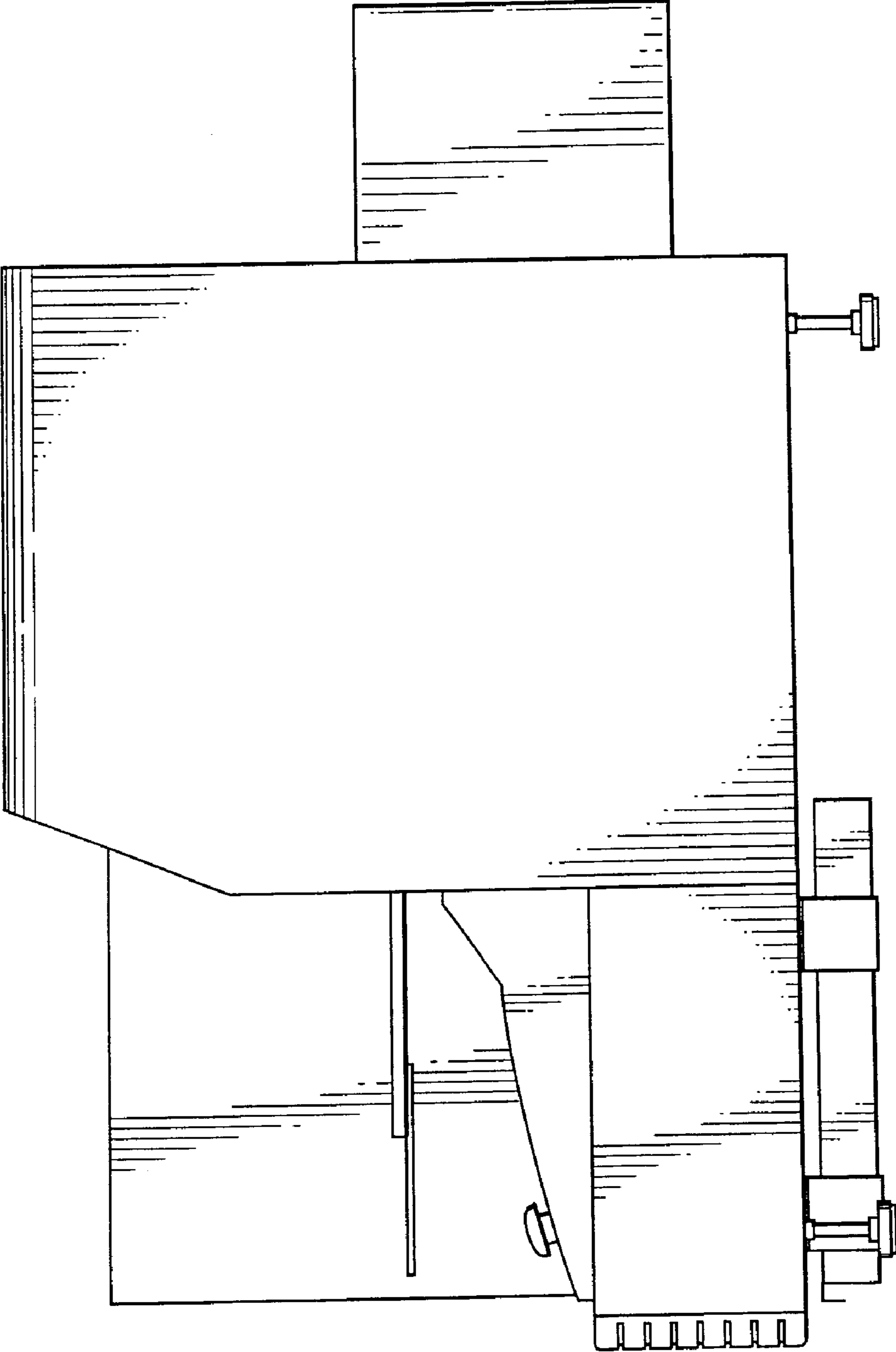


FIG. 4

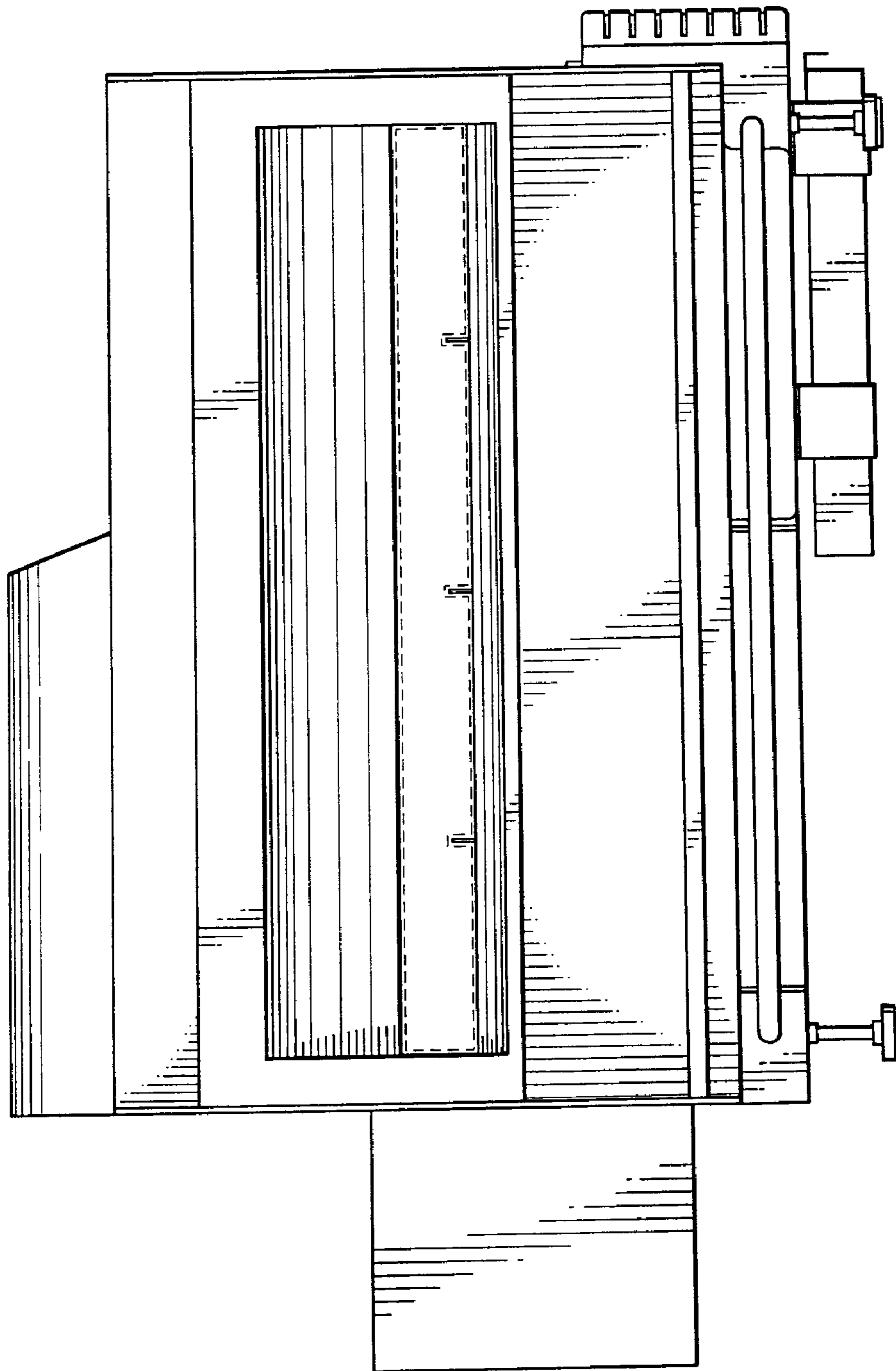


FIG. 5

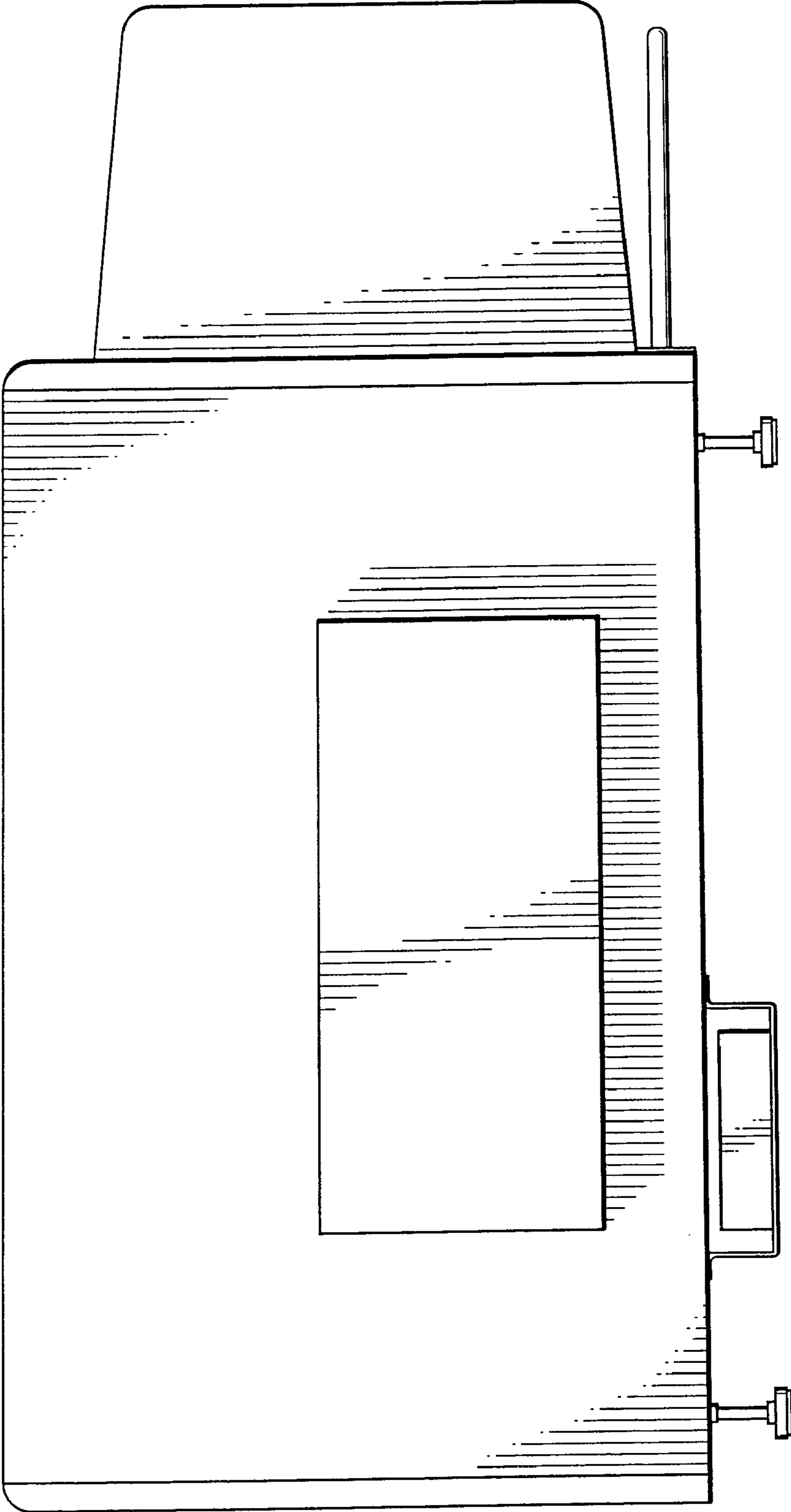


FIG. 6

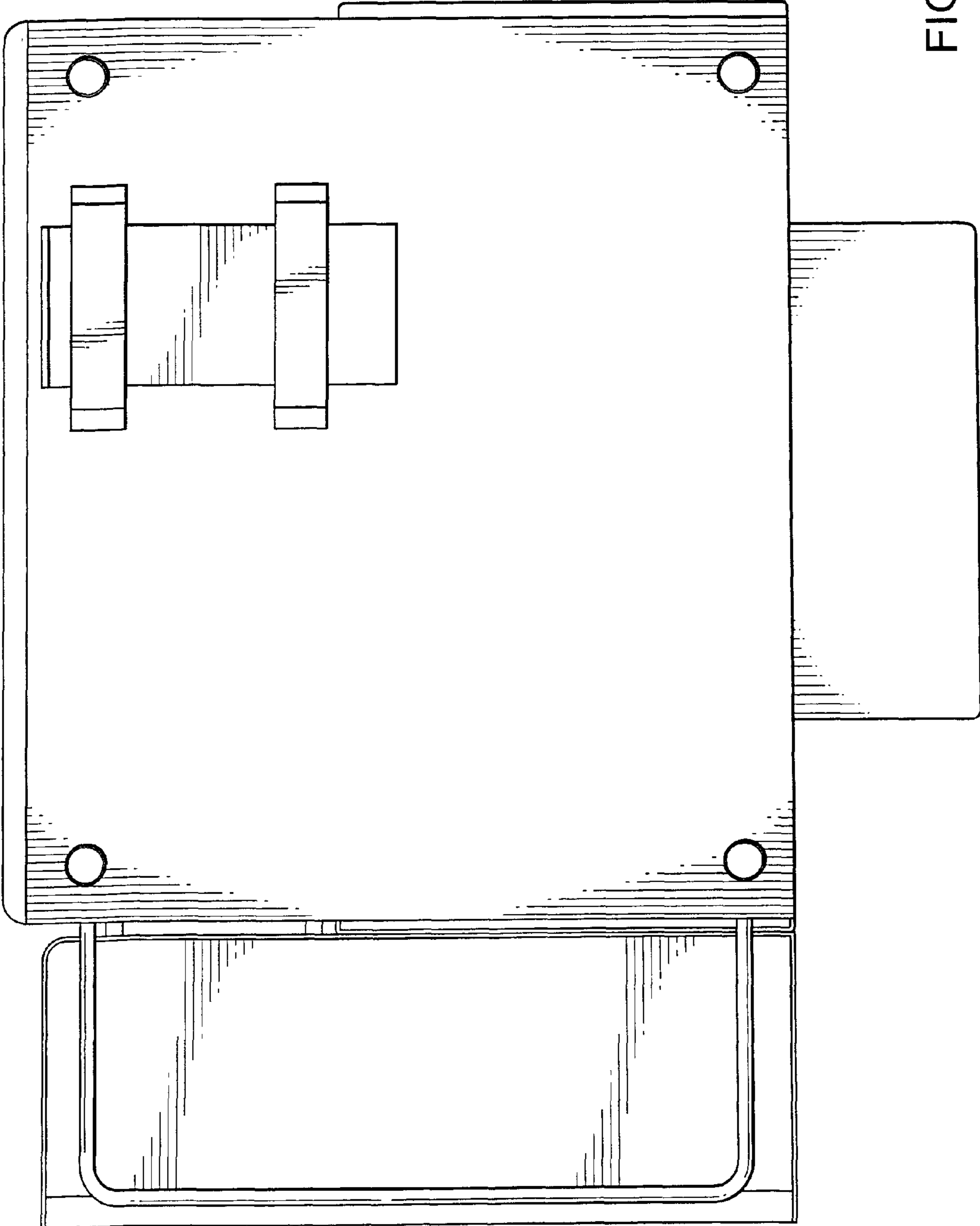


FIG. 7



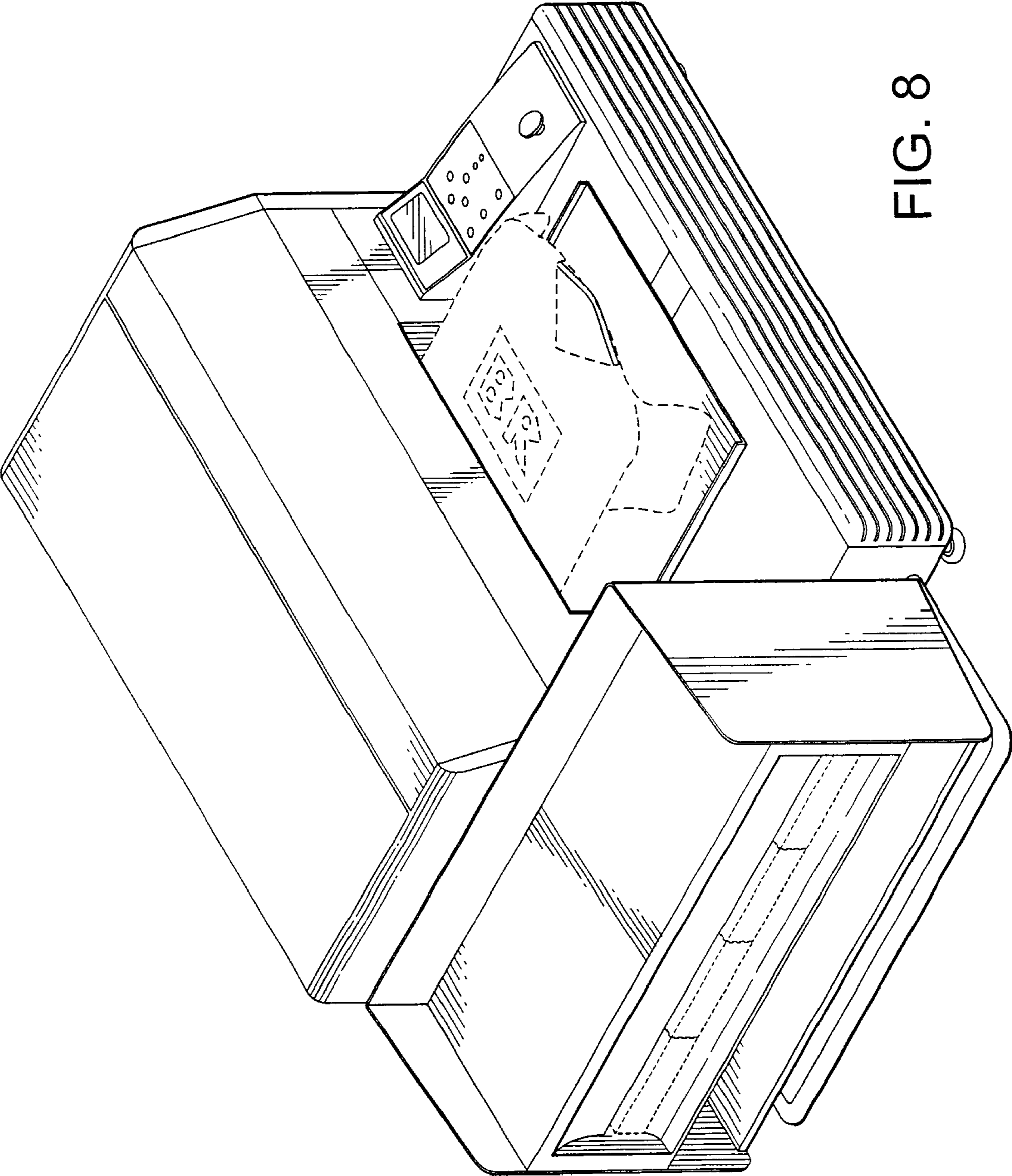


FIG. 8