



US00D532450S

(12) **United States Design Patent**  
**Smith et al.**

(10) **Patent No.:** **US D532,450 S**

(45) **Date of Patent:** **\*\* Nov. 21, 2006**

(54) **PHOTO PRINTER**

(75) Inventors: **Michael Smith**, Austin, TX (US); **Greg Holderfield**, Oak Park, IL (US)

(73) Assignee: **Dell Products L.P.**, Round Rock, TX (US)

(\*\*) Term: **14 Years**

(21) Appl. No.: **29/232,063**

(22) Filed: **Jun. 14, 2005**

(51) **LOC (8) Cl.** ..... **14-02**

(52) **U.S. Cl.** ..... **D18/55**

(58) **Field of Classification Search** ..... D18/36-39,  
D18/53-54, 54.1, 55; D14/420-425, 462-470;  
399/107; 400/613, 613.1-613.4, 691-694;  
D16/246-248, 237

See application file for complete search history.

(56) **References Cited**

**U.S. PATENT DOCUMENTS**

D304,185 S	*	10/1989	Yoshihara	.....	D14/467
D350,765 S	*	9/1994	Hiroki et al.	.....	D18/36
D404,066 S	*	1/1999	Sakata	.....	D18/54
D421,045 S	*	2/2000	Quijano	.....	D18/55
6,026,258 A	*	2/2000	Fresk et al.	.....	399/87
D423,040 S	*	4/2000	Ohta et al.	.....	D18/36
D433,440 S	*	11/2000	Takenouchi et al.	.....	D18/39
D436,369 S	*	1/2001	Sasaki et al.	.....	D18/39
D465,801 S	*	11/2002	Falk et al.	.....	D18/39
D469,769 S	*	2/2003	Sugitani et al.	.....	D14/425
D483,401 S	*	12/2003	LaBarbera	.....	D18/53
D497,943 S	*	11/2004	LaBarbera	.....	D18/53

D499,759 S		12/2004	Kobayashi et al.	.....	D18/55
D501,019 S	*	1/2005	Yoshida et al.	.....	D18/39
D501,667 S	*	2/2005	Ishigami et al.	.....	D18/50
D502,500 S	*	3/2005	Hoshiya et al.	.....	D18/50
D505,447 S		5/2005	Wong et al.	.....	D18/50
D508,713 S		8/2005	Fetherolf et al.	.....	D18/55
D509,831 S		9/2005	Mitani et al.	.....	D14/486
D509,845 S		9/2005	Miyauchi et al.	.....	D18/50
D516,081 S	*	2/2006	Takimoto	.....	D14/463
D518,514 S	*	4/2006	Hoshiya et al.	.....	D18/55
D518,515 S	*	4/2006	Miyauchi et al.	.....	D18/55
D520,558 S	*	5/2006	Matsumoto et al.	.....	D18/50
D521,056 S	*	5/2006	Horiguchi et al.	.....	D18/39
D521,544 S	*	5/2006	Saito	.....	D18/39
7,062,197 B1	*	6/2006	Kunugi	.....	399/107

\* cited by examiner

*Primary Examiner*—Cathy Anne MacCormac

(74) *Attorney, Agent, or Firm*—Hamilton & Terrile, LLP; Stephen A. Terrile

(57) **CLAIM**

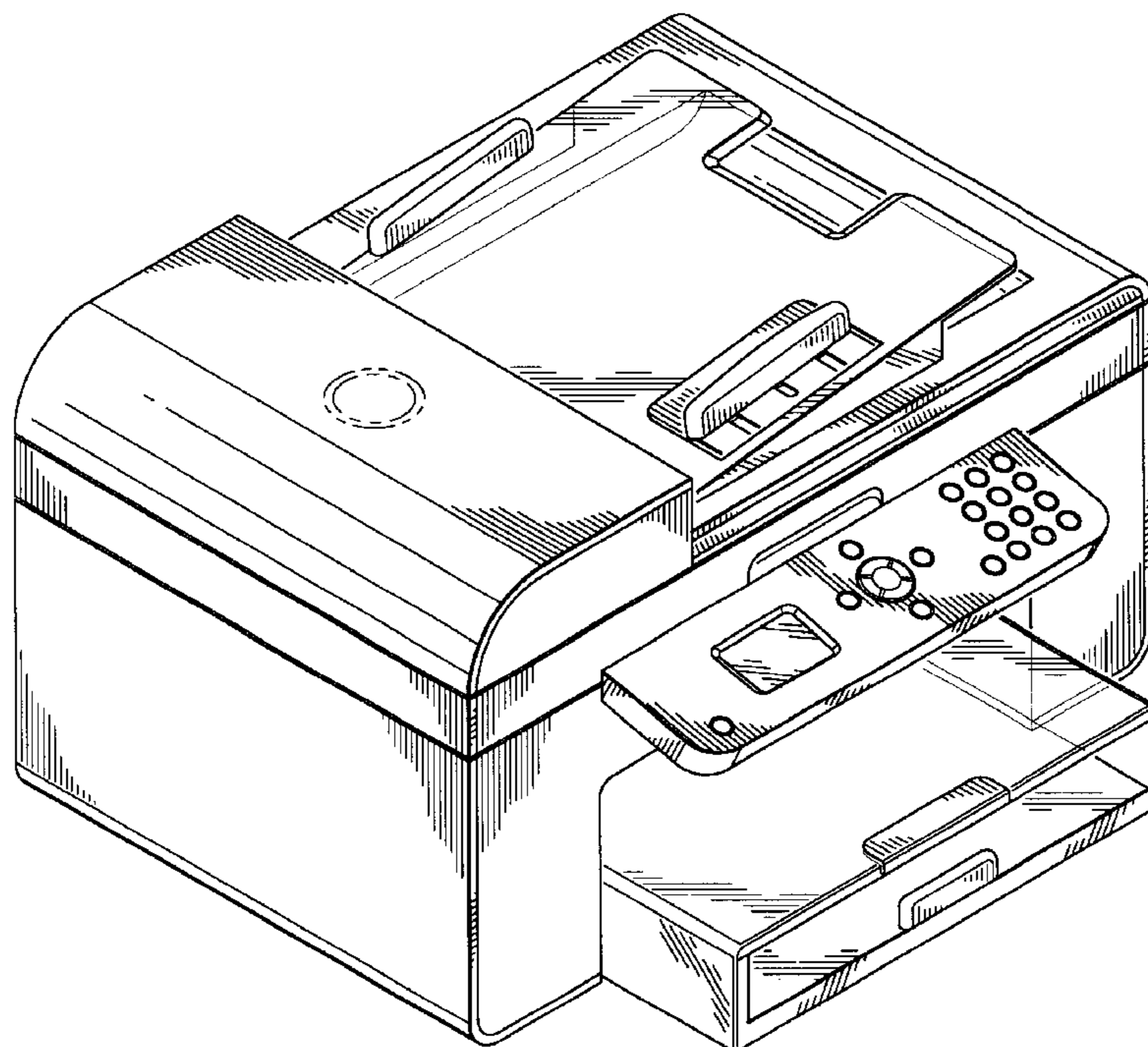
The ornamental design for a photo printer, as shown.

**DESCRIPTION**

FIG. 1 is a right front perspective view of the photo printer comprising the present invention; FIG. 2 is a front elevation view thereof; FIG. 3 is a right side elevation view thereof; FIG. 4 is a left side elevation view thereof; FIG. 5 is a back elevation view thereof; and, FIG. 6 is a top plan view thereof.

The broken lines are for illustrative purposes only and form no part of the claimed design.

**1 Claim, 3 Drawing Sheets**



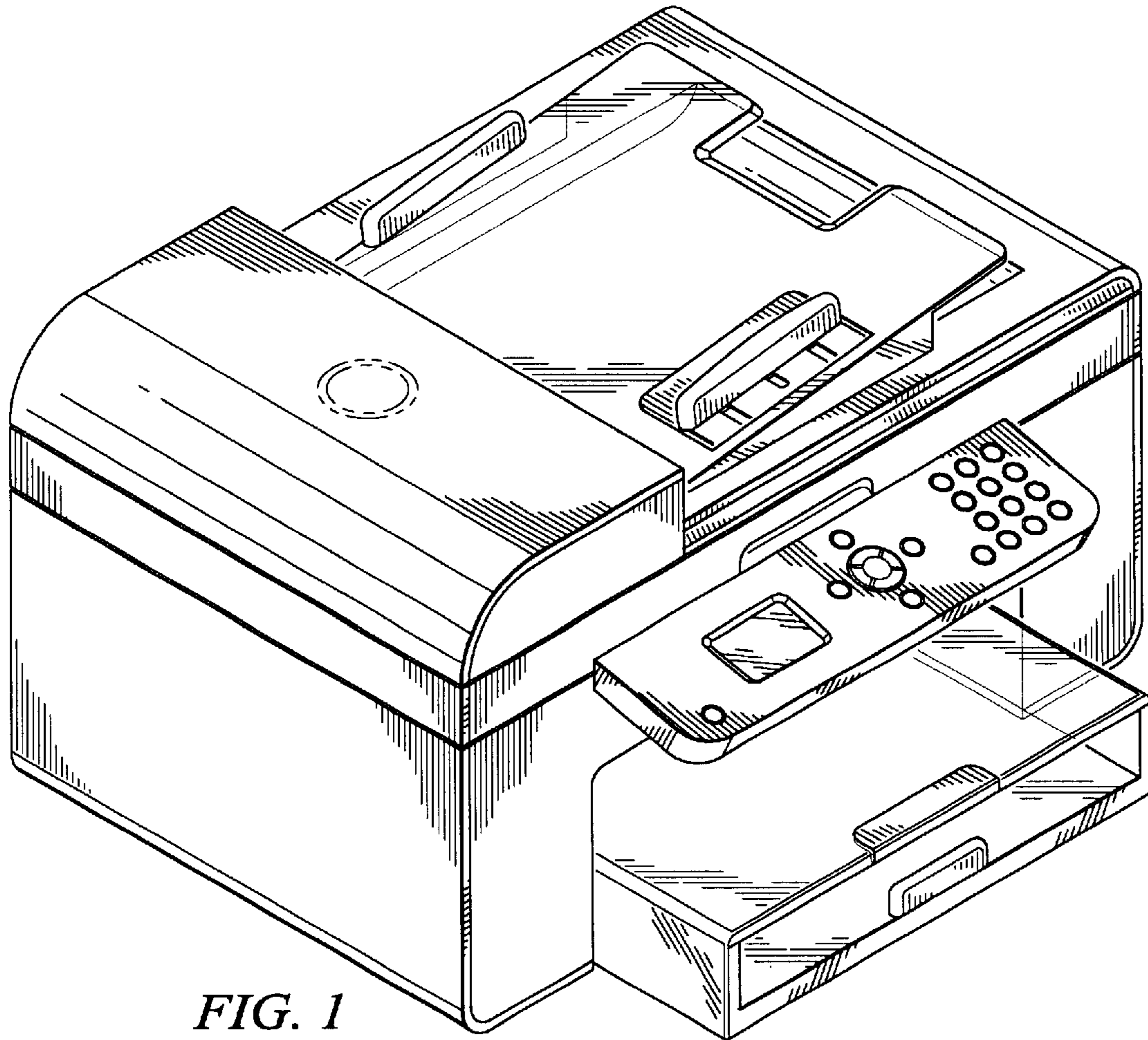


FIG. 1

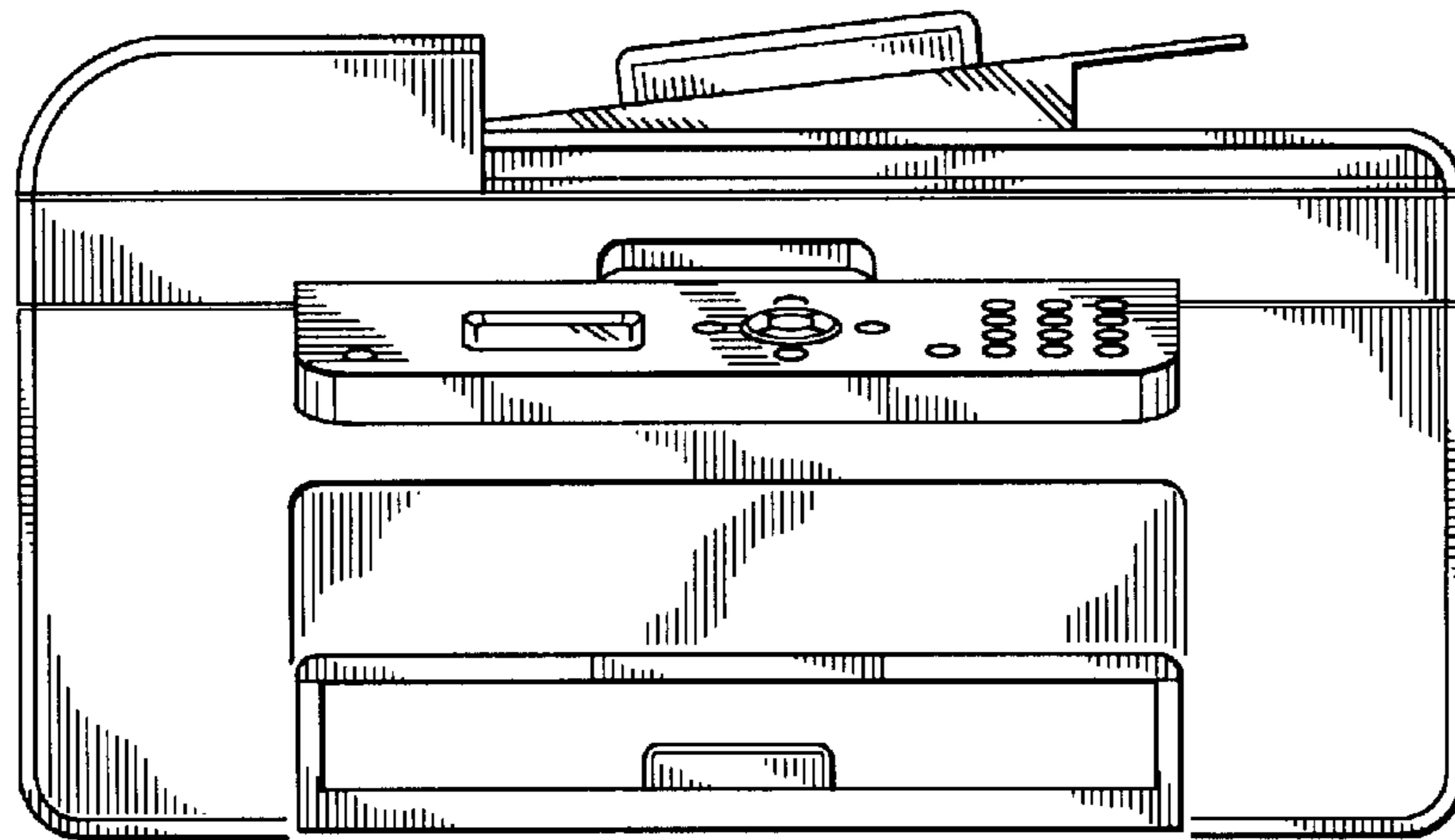
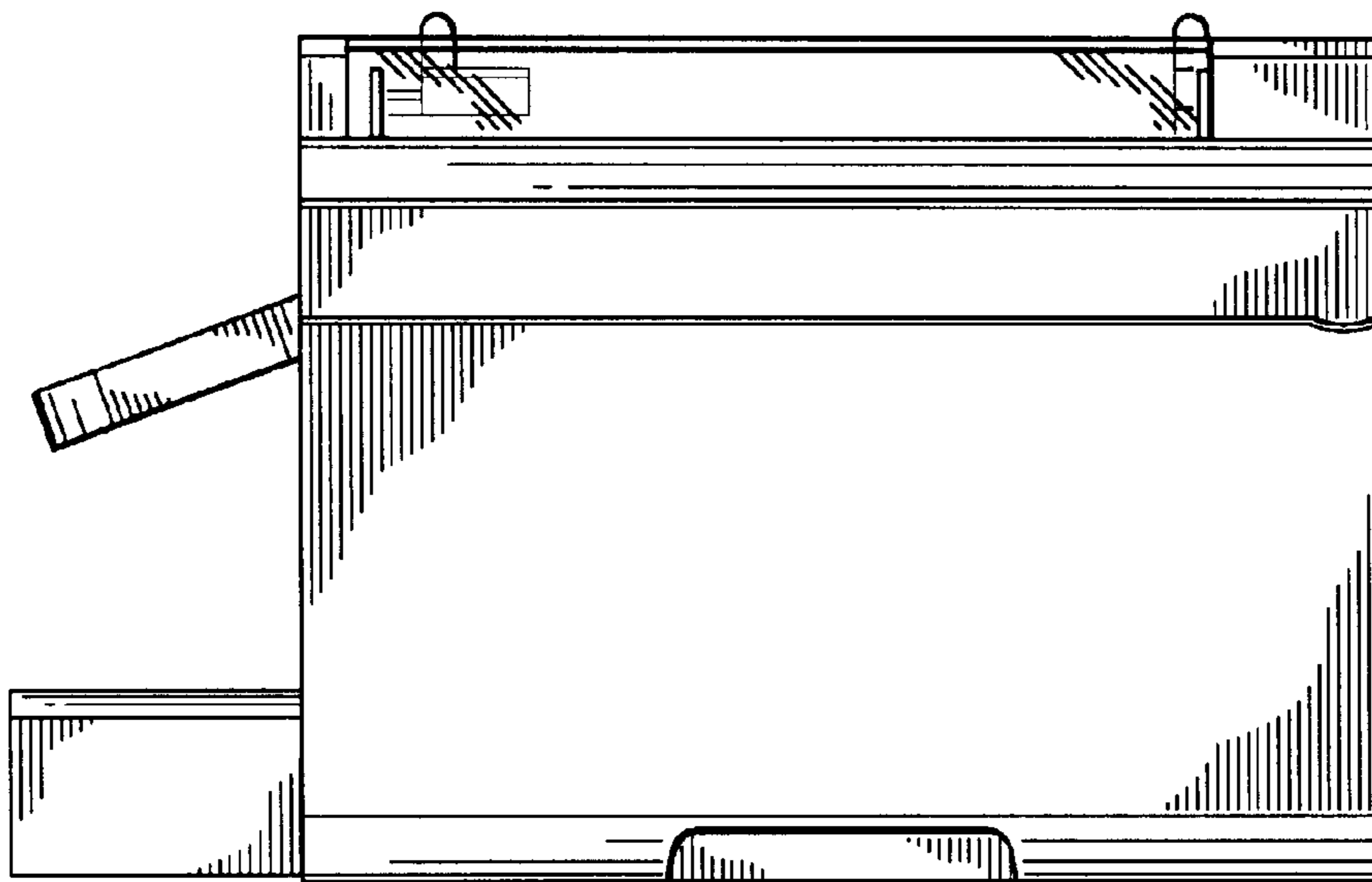
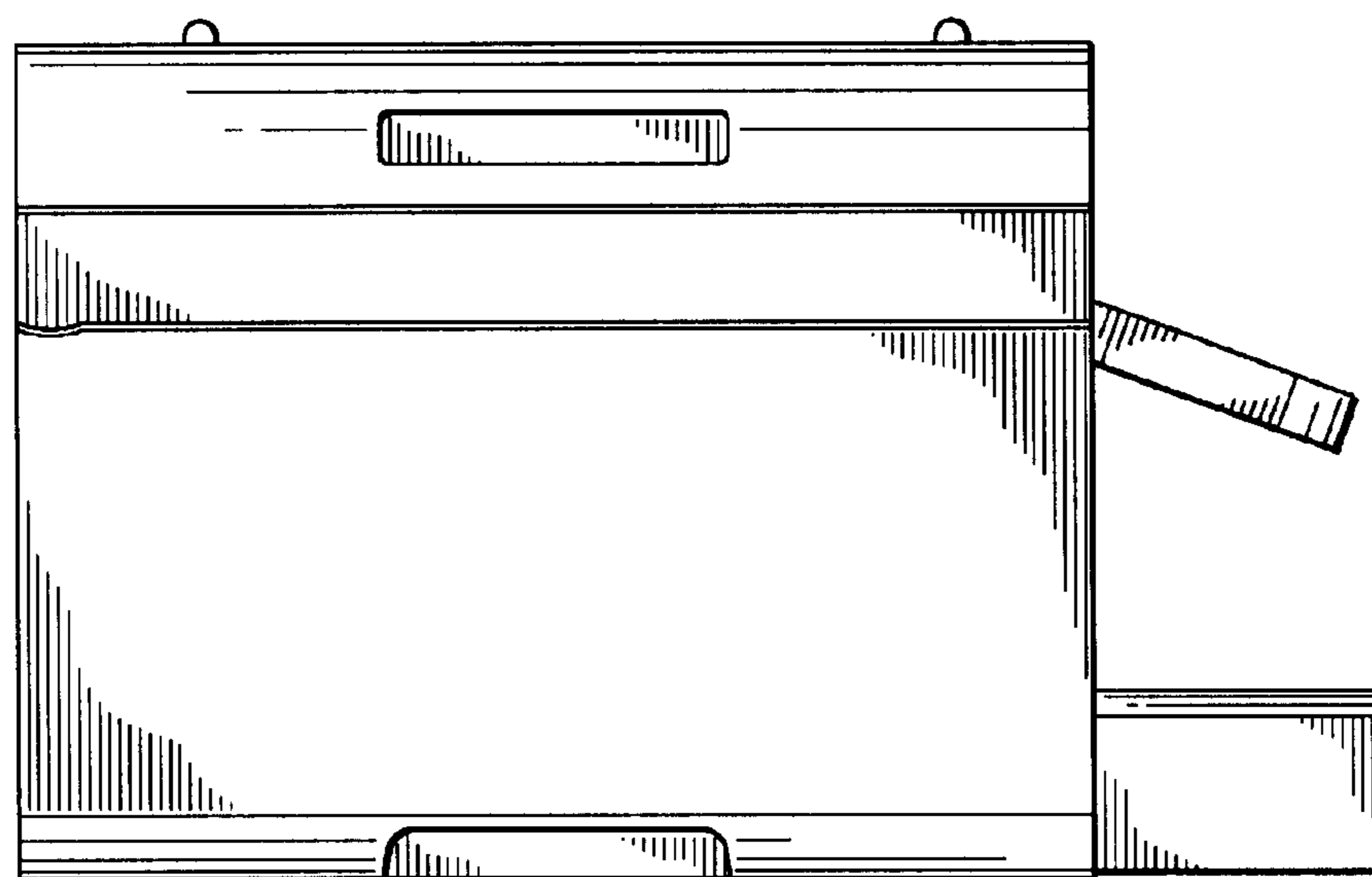


FIG. 2



*FIG. 3*



*FIG. 4*

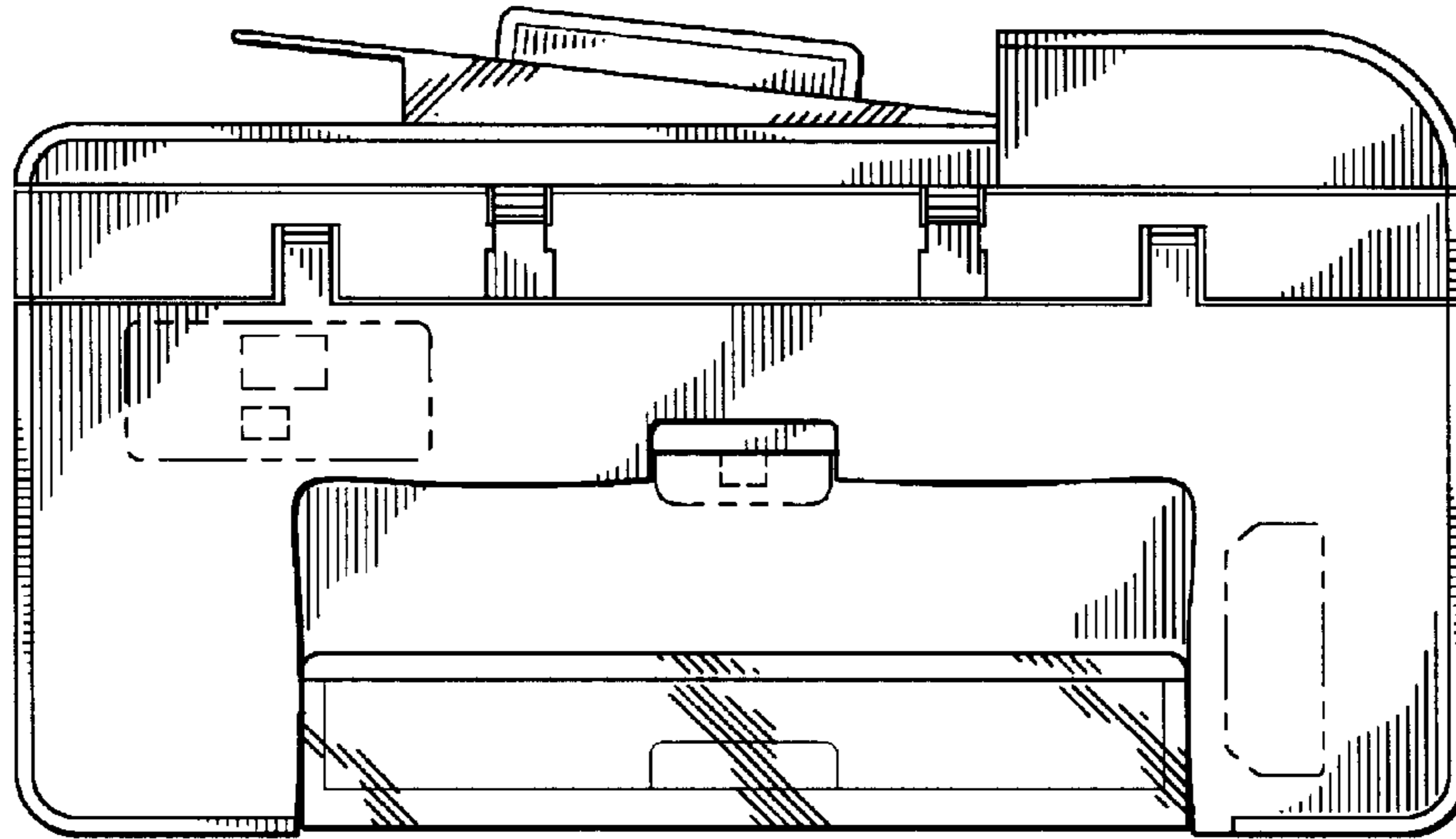


FIG. 5

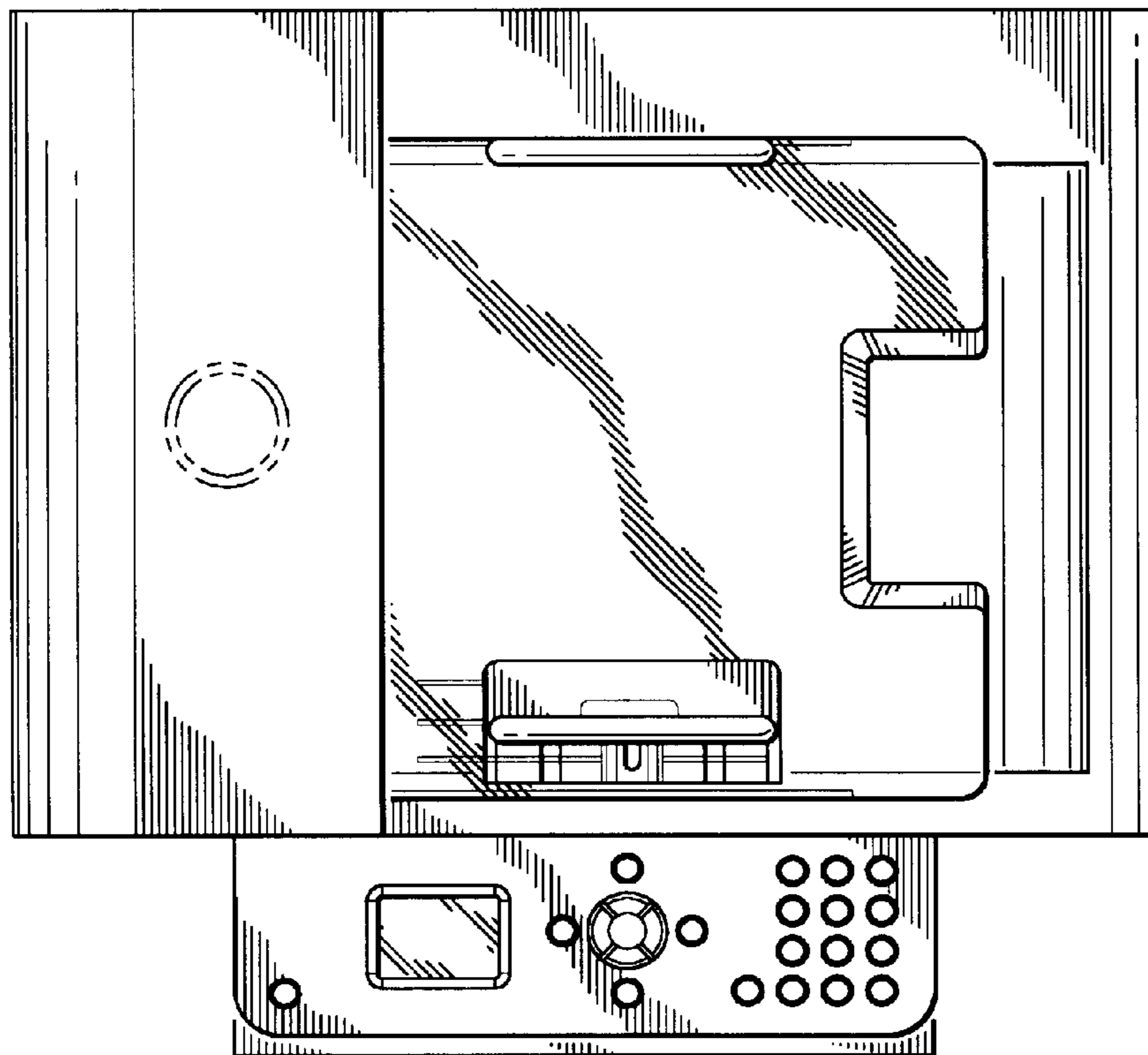


FIG. 6