

US00D532449S

(12) **United States Design Patent**
Tjin Wong Joe et al.

(10) **Patent No.:** **US D532,449 S**

(45) **Date of Patent:** **** Nov. 21, 2006**

(54) **MULTI-FUNCTION PRINTER**

(75) **Inventors:** **Mylene Angele Kit Njoek Tjin Wong Joe, Singapore (SG); Ching Yong Chua, Singapore (SG)**

(73) **Assignee:** **Hewlett-Packard Development Company, L.P., Houston, TX (US)**

(**) **Term:** **14 Years**

(21) **Appl. No.:** **29/221,815**

(22) **Filed:** **Jan. 20, 2005**

(51) **LOC (8) Cl.** **14-02**

(52) **U.S. Cl.** **D18/55**

(58) **Field of Classification Search** D18/14,
D18/19, 36-39, 50, 54, 54.1, 55; D14/420-425,
D14/462-470; D16/237, 247-248; 400/613,
400/613.1-613.4, 690.1-690.4, 691-694;
399/109

See application file for complete search history.

(56) **References Cited**

U.S. PATENT DOCUMENTS

D350,765 S * 9/1994 Hiroki et al. D18/36
D354,077 S * 1/1995 Hiroki et al. D18/39

D390,256 S * 2/1998 Shibata D18/39
D408,443 S * 4/1999 Sasaki D18/36
D428,049 S * 7/2000 Imai D18/36
D435,858 S * 1/2001 Hatanaka et al. D18/39
D436,369 S * 1/2001 Sasaki et al. D18/39
D446,806 S * 8/2001 Imai D18/36
D465,801 S * 11/2002 Falk et al. D18/39
D473,587 S * 4/2003 Agata et al. D18/39
D494,211 S * 8/2004 Yoshida et al. D18/39
D501,667 S * 2/2005 Ishigami et al. D18/50
D505,971 S * 6/2005 Short et al. D18/50

* cited by examiner

Primary Examiner—Cathy Anne Maccormac

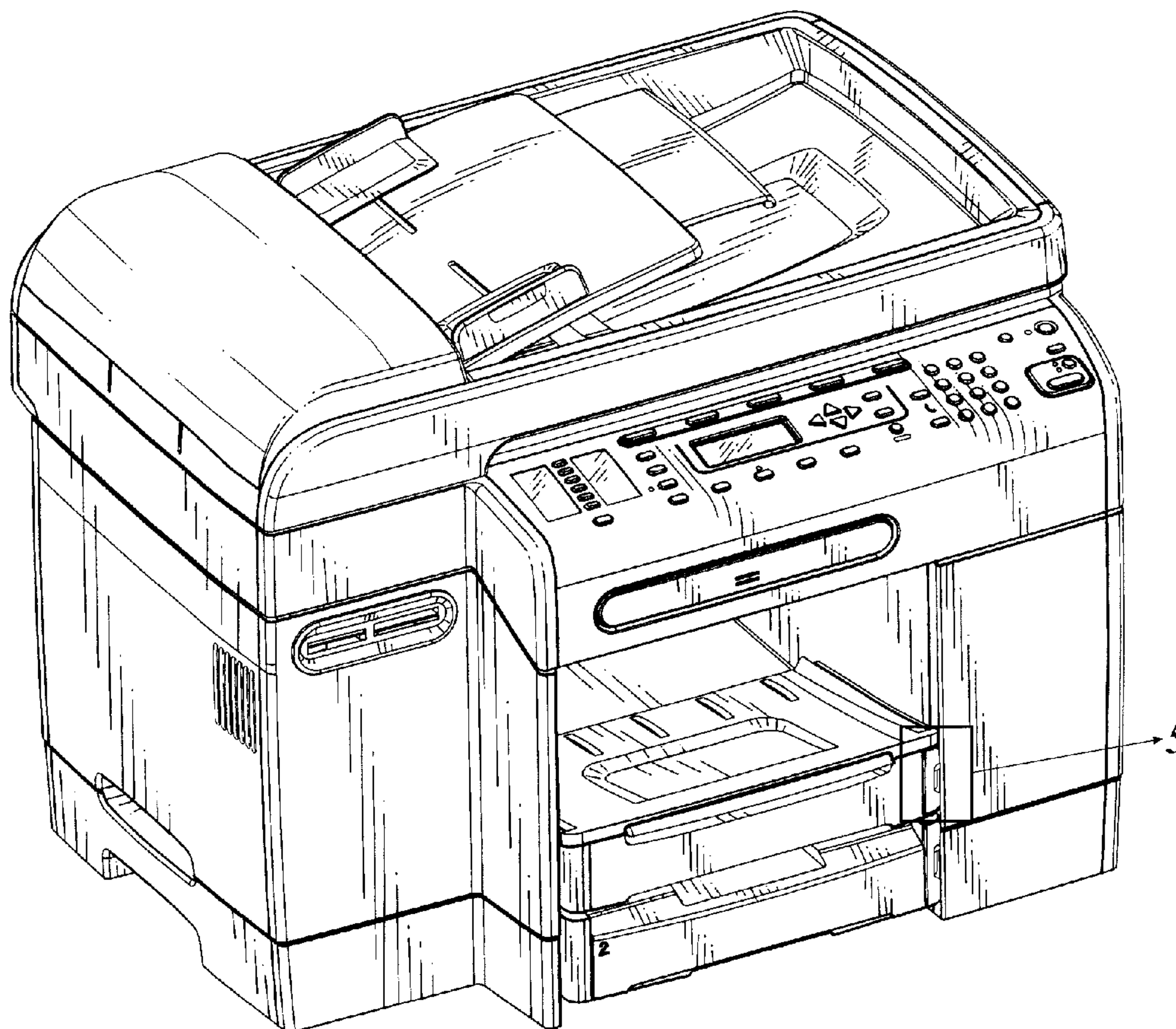
(57) **CLAIM**

The ornamental design for a multi-function printer, as shown and described.

DESCRIPTION

FIG. 1 is a front perspective view of a multi-function printer showing our new design;
FIG. 2 is a top plan view thereof;
FIG. 3 is a right side elevational view thereof;
FIG. 4 is a rear perspective view thereof; and,
FIG. 5 is an enlarged partial view of one of the paper level indicators.

1 Claim, 5 Drawing Sheets



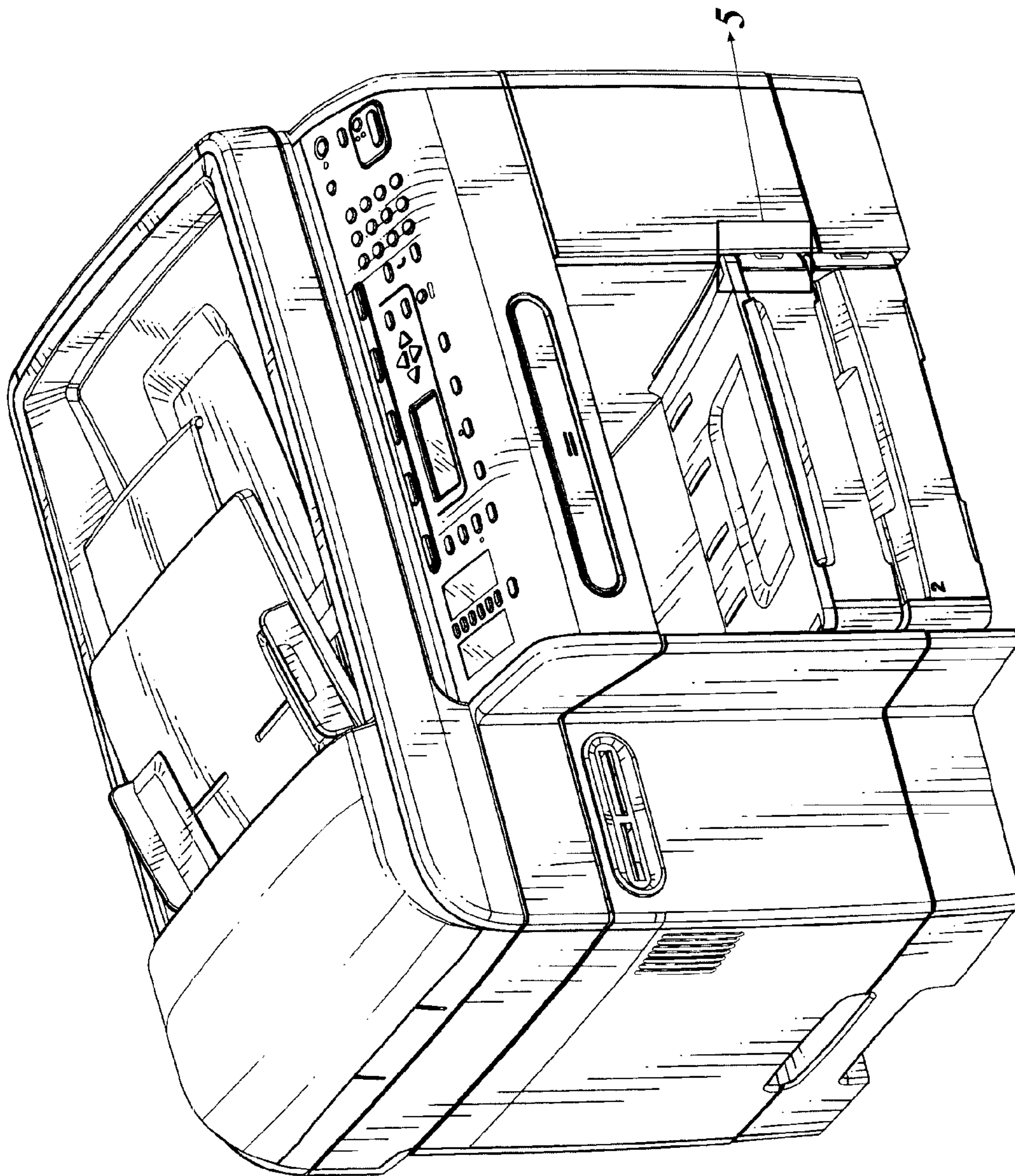


FIG. 1

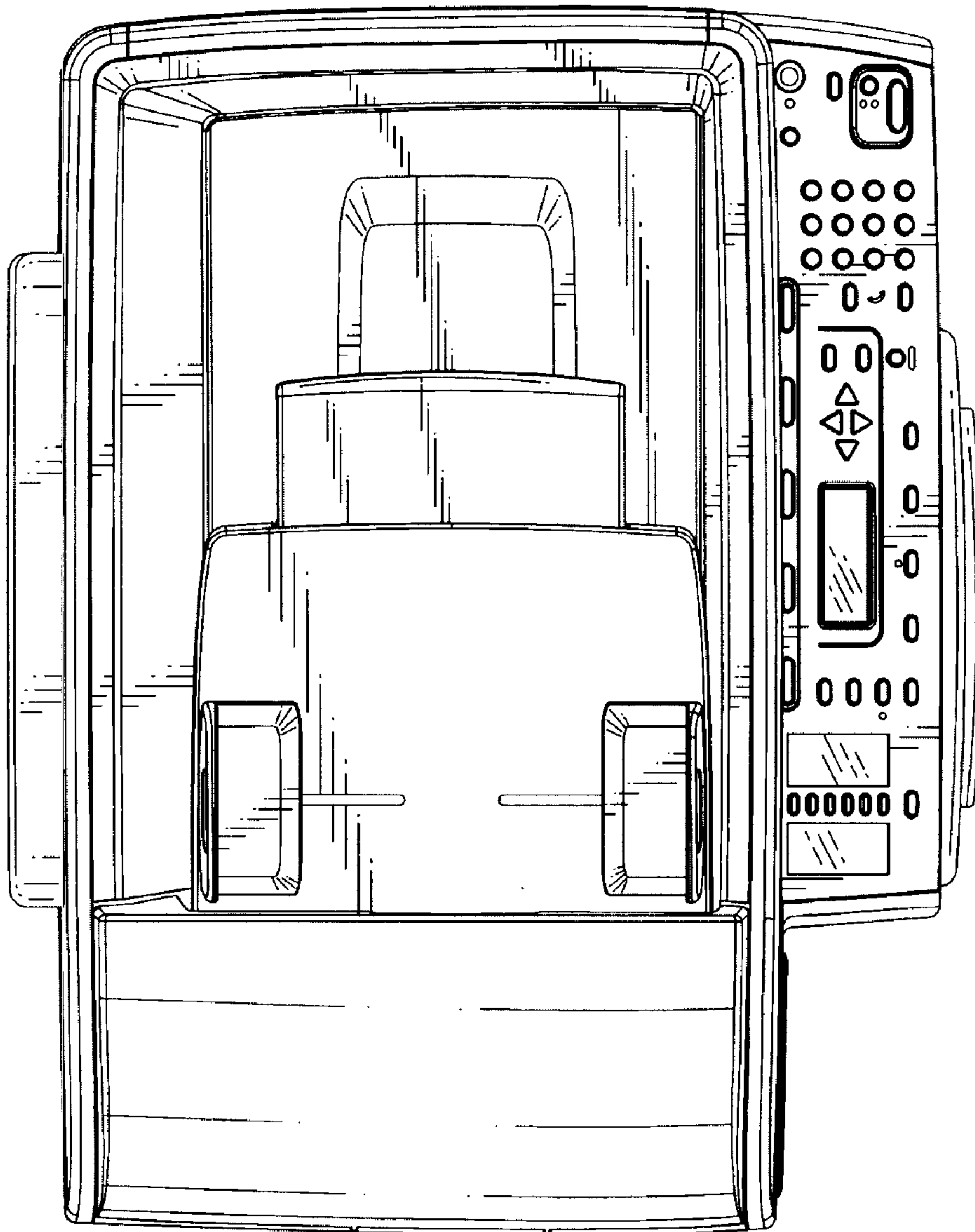


FIG. 2

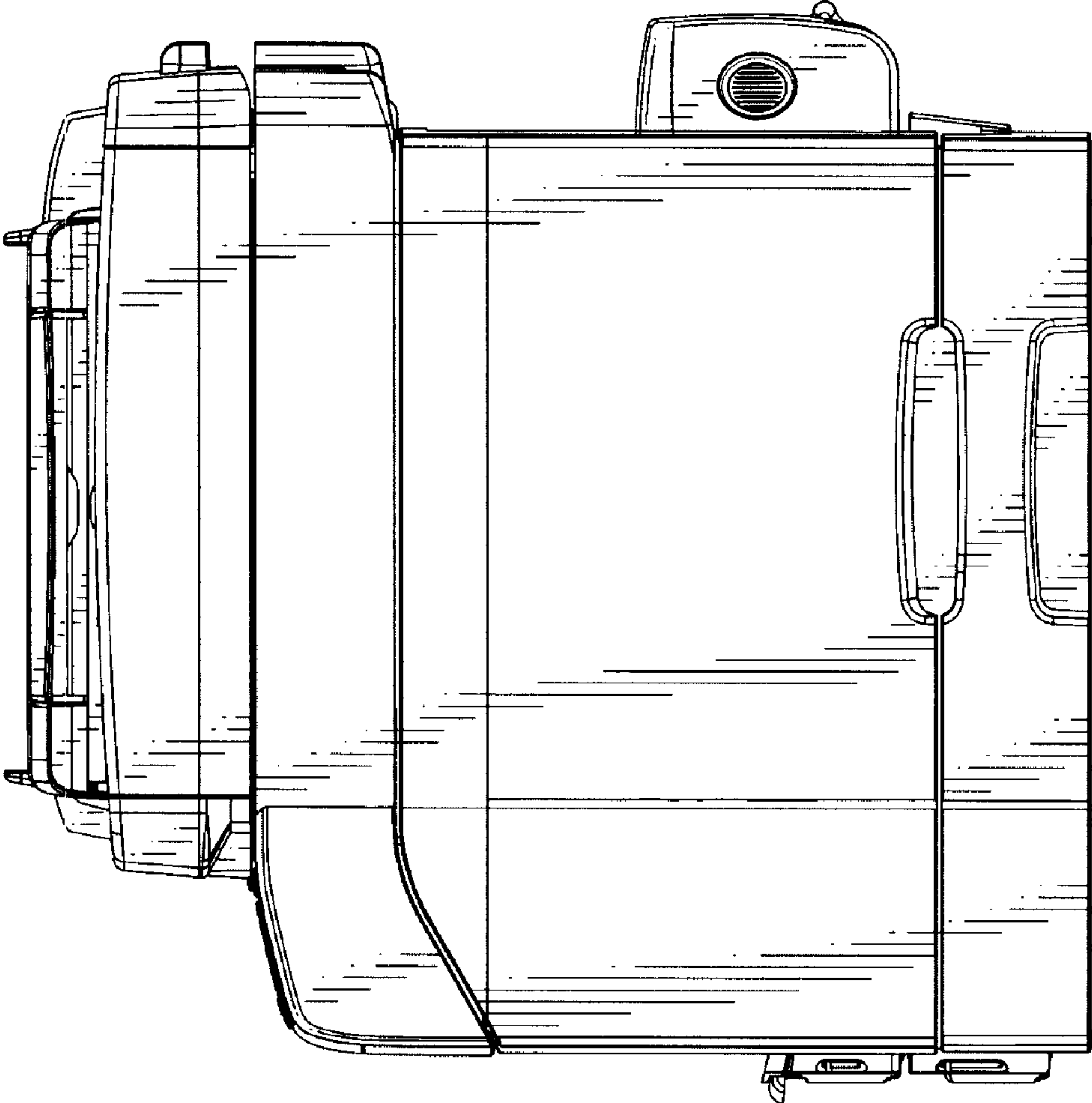


FIG. 3

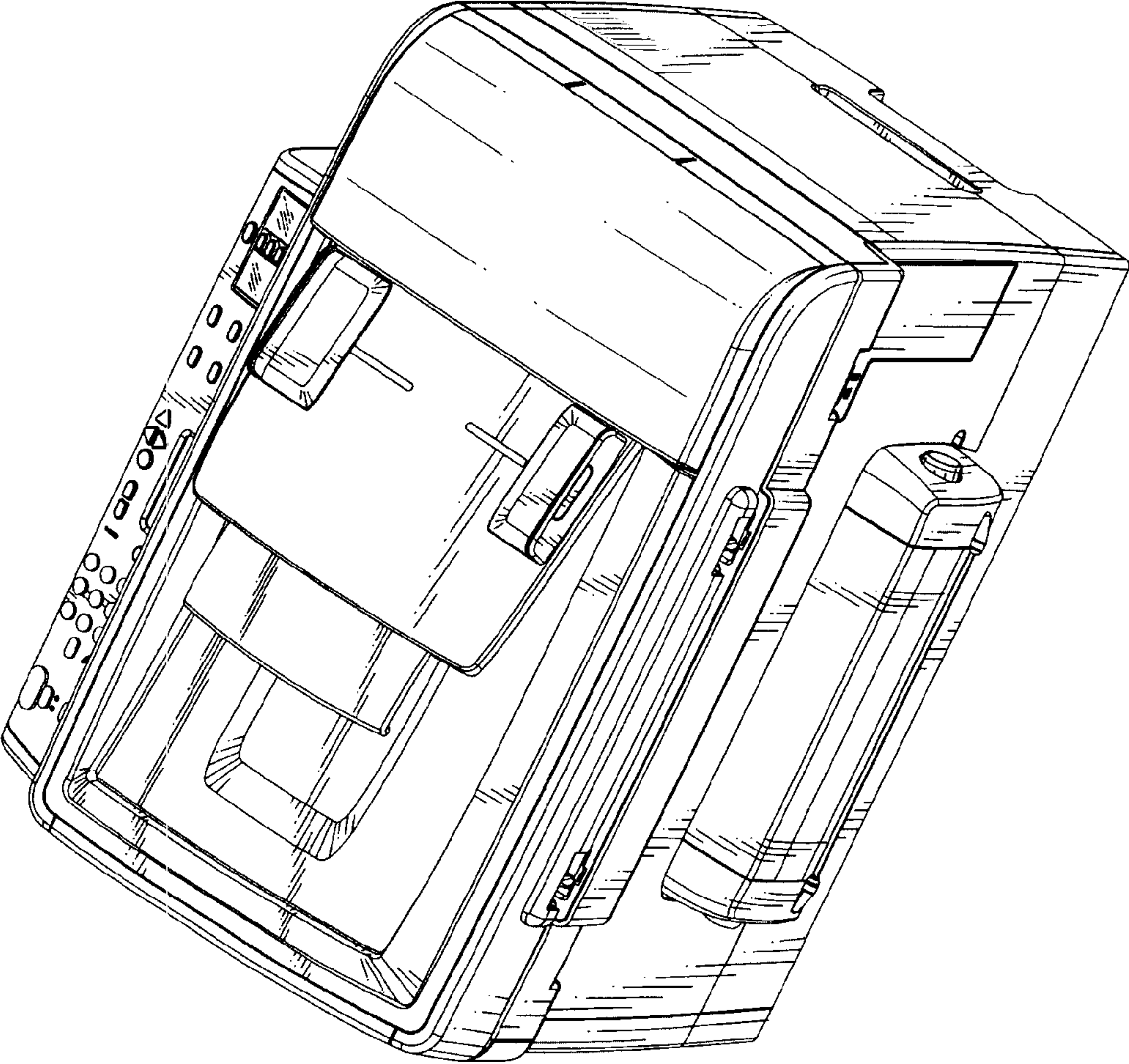


FIG. 4

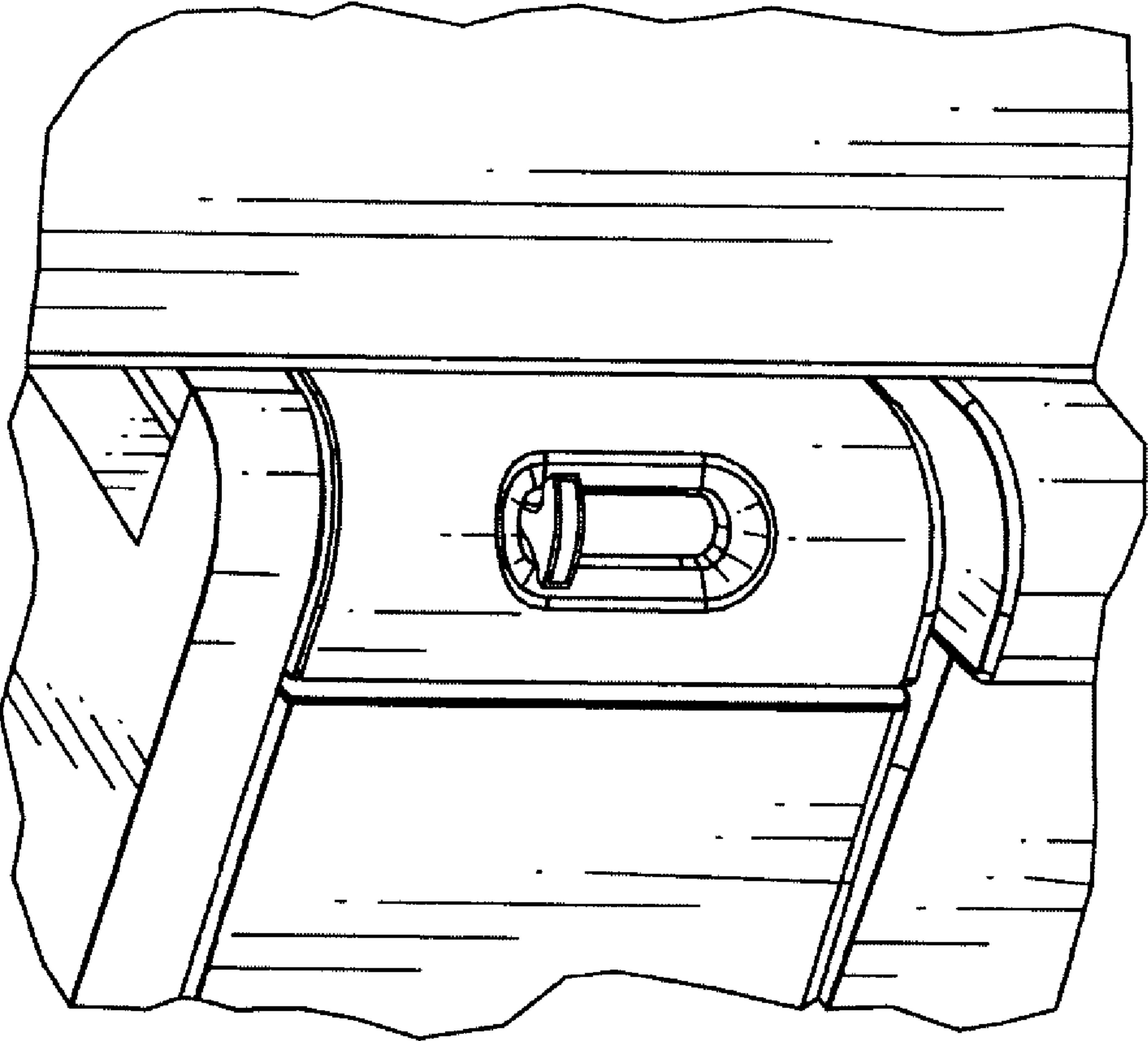


FIG. 5