



US00D532448S

(12) **United States Design Patent**
Lim et al.

(10) **Patent No.:** **US D532,448 S**

(45) **Date of Patent:** **** Nov. 21, 2006**

(54) **PHOTO PRINTER**

(75) Inventors: **Bong-Uk Lim**, Seoul (KR);
Byeong-Yong Song, Seoul (KR);
Hee-Yul Kim, Seoul (KR)

(73) Assignee: **Samsung Electronics Co., Ltd.**,
Kyunggi-do (KR)

(**) Term: **14 Years**

(21) Appl. No.: **29/231,251**

(22) Filed: **Jun. 2, 2005**

(51) **LOC (8) Cl.** **14-02**

(52) **U.S. Cl.** **D18/50**

(58) **Field of Classification Search** D18/36-39,
D18/53-54, 54.1, 55; D14/420-425, 356-357,
D14/361-363; D16/246-248, 237; 399/107;
400/613, 613.1-613.4, 691-694
See application file for complete search history.

(56) **References Cited**

U.S. PATENT DOCUMENTS

D299,346 S	*	1/1989	Lehman et al.	D18/54
D307,157 S	*	4/1990	Sakaguchi et al.	D18/54
D325,915 S	*	5/1992	Nagele et al.	D14/248
5,302,034 A	*	4/1994	Kitazawa	400/615.2
D356,098 S	*	3/1995	Tamura	D16/202

D377,034 S	*	12/1996	Matsushita	D16/202
D405,107 S	*	2/1999	Yokokawa	D18/50
D431,047 S	*	9/2000	Yokokawa	D18/50
D474,499 S	*	5/2003	Isono	D18/50
D499,388 S	*	12/2004	Murakami	D14/136
D503,937 S	*	4/2005	Tani	D14/462
D517,111 S	*	3/2006	Katayama	D16/237
D522,571 S	*	6/2006	Senda et al.	D18/54

* cited by examiner

Primary Examiner—Cathy Anne MacCormac

(74) *Attorney, Agent, or Firm*—Flynn, Thiel, Boutell & Tanis, P.C.

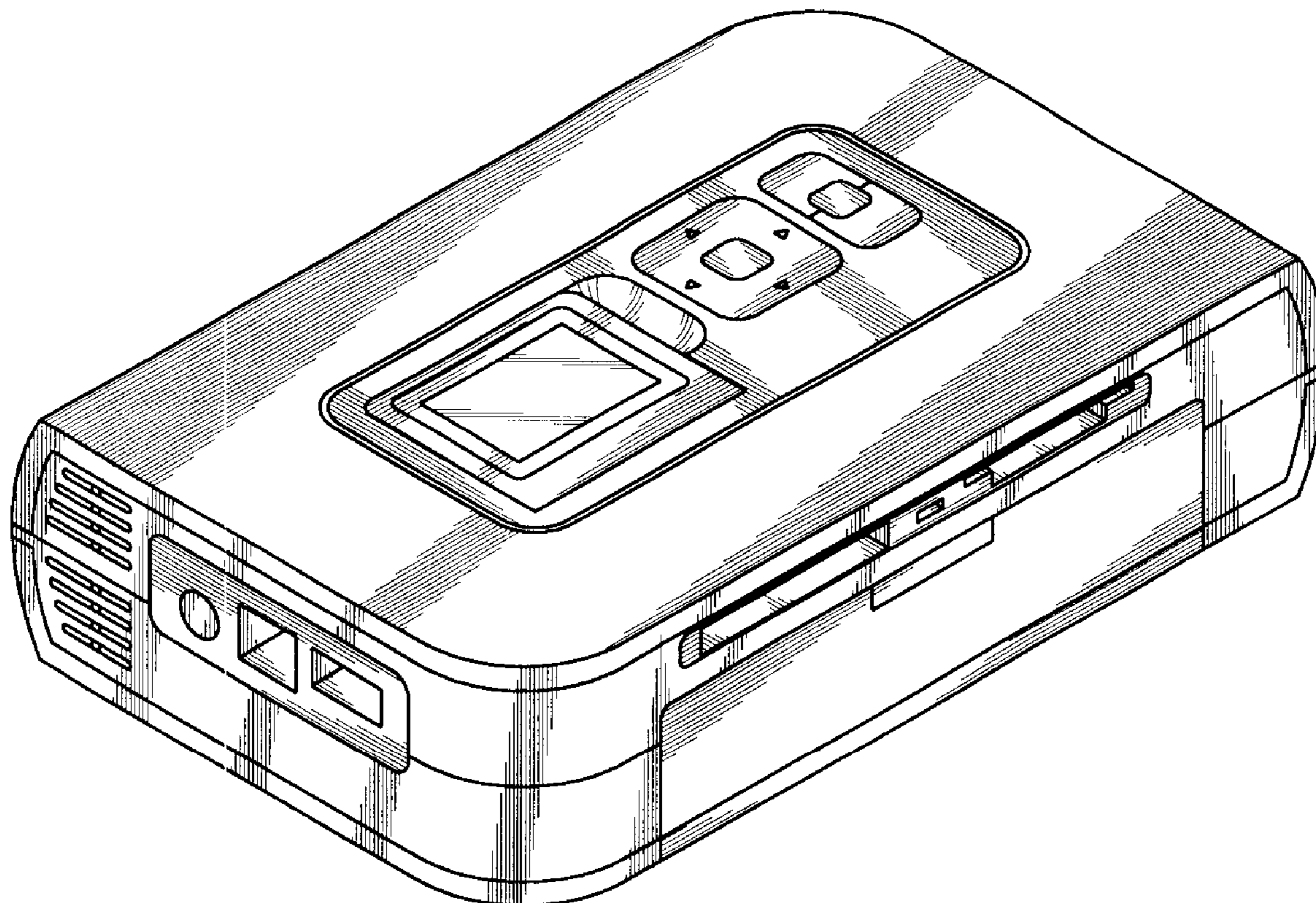
(57) **CLAIM**

The ornamental design for a photo printer, as shown and described.

DESCRIPTION

FIG. 1. is a top front perspective view of a photo printer showing our new design;
FIG. 2. is a front elevational view thereof;
FIG. 3. is a rear elevational view thereof;
FIG. 4. is a left side elevational view thereof;
FIG. 5. is a right side elevational view thereof;
FIG. 6. is a top plan view thereof; and,
FIG. 7. is a bottom plan view thereof.

1 Claim, 4 Drawing Sheets



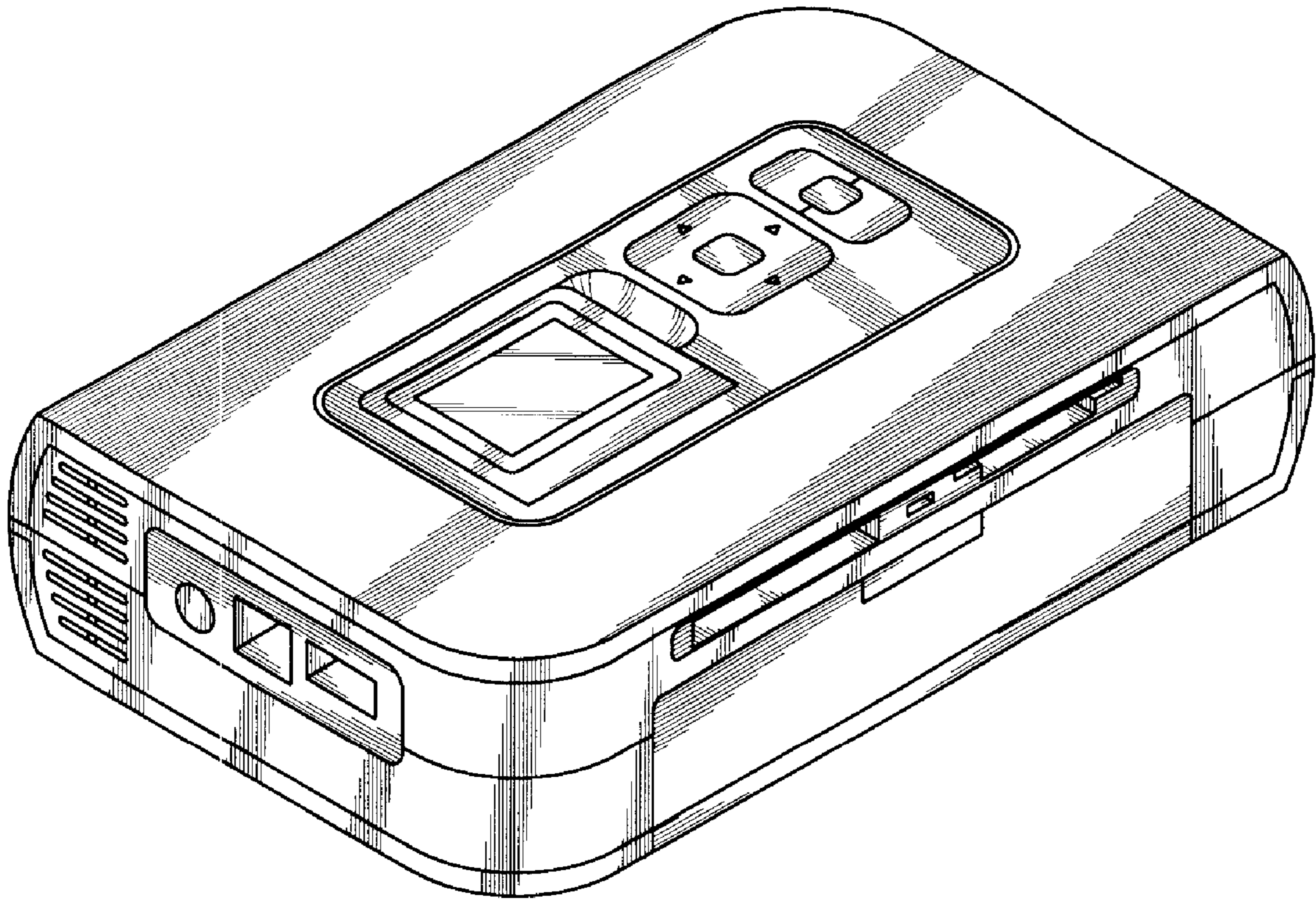


FIG. 1

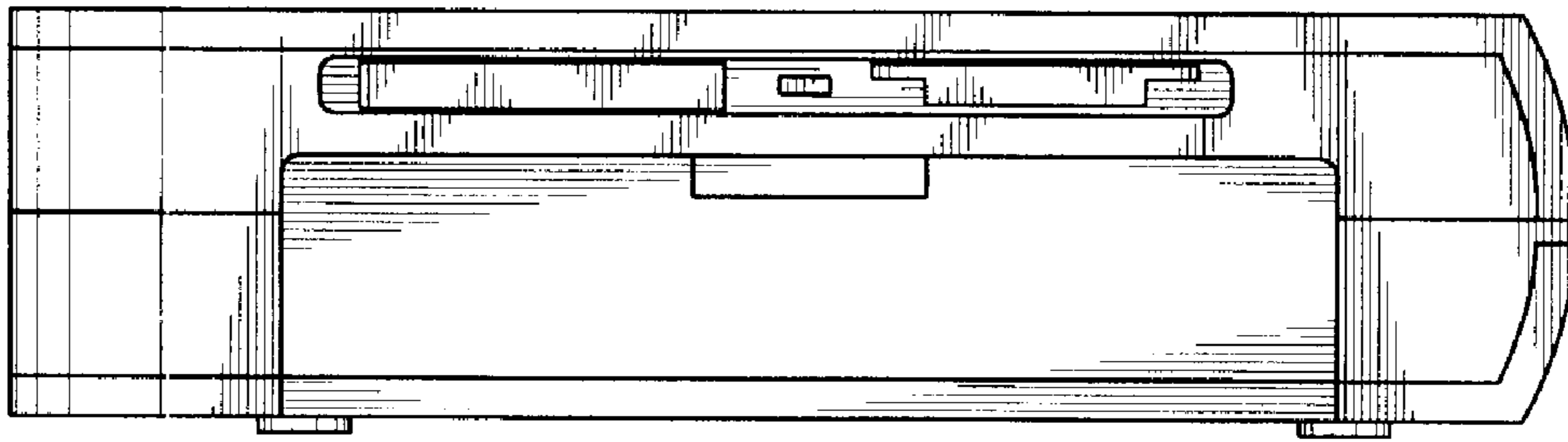


FIG. 2

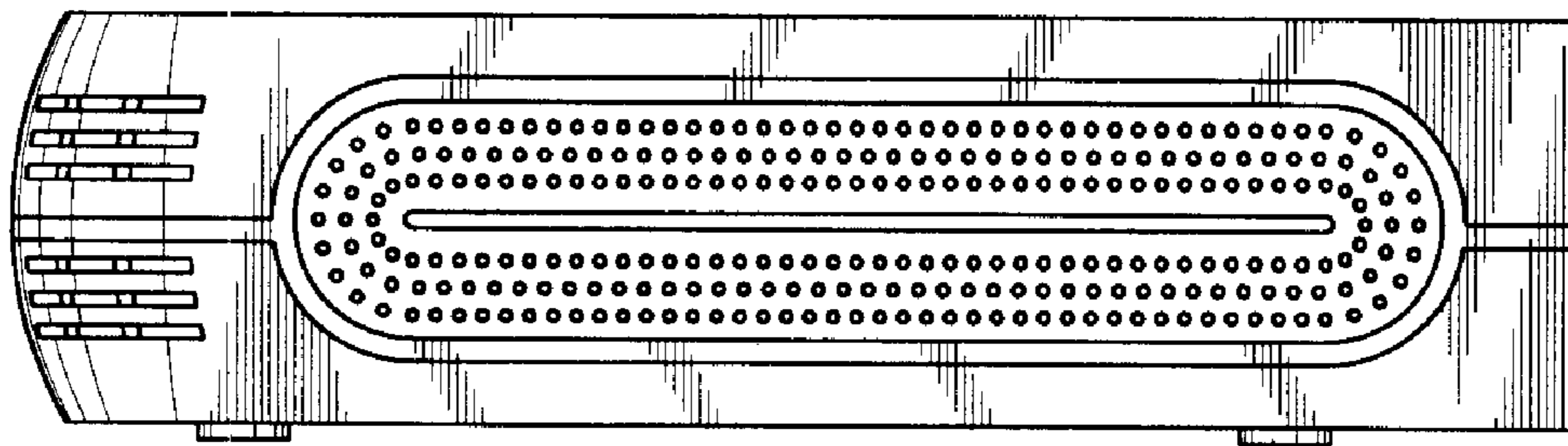


FIG. 3

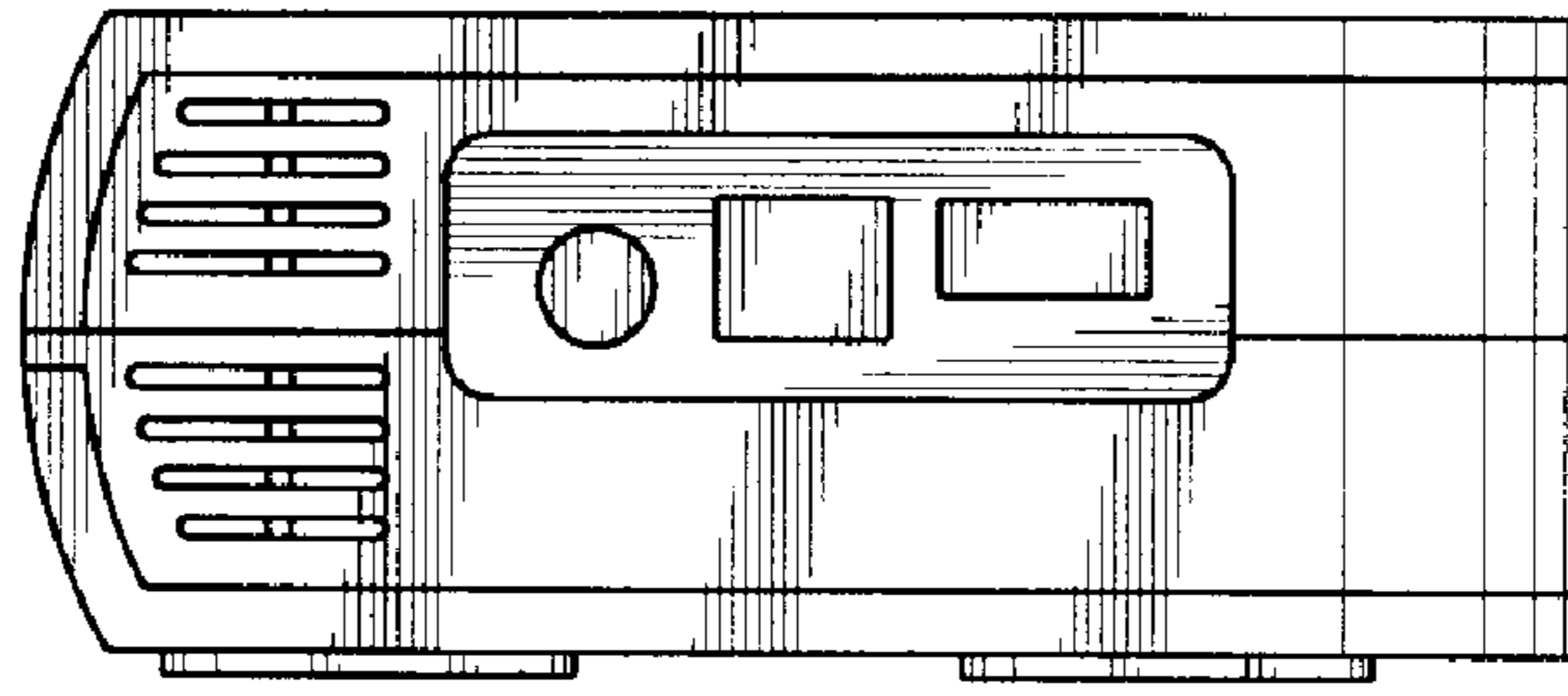


FIG. 4

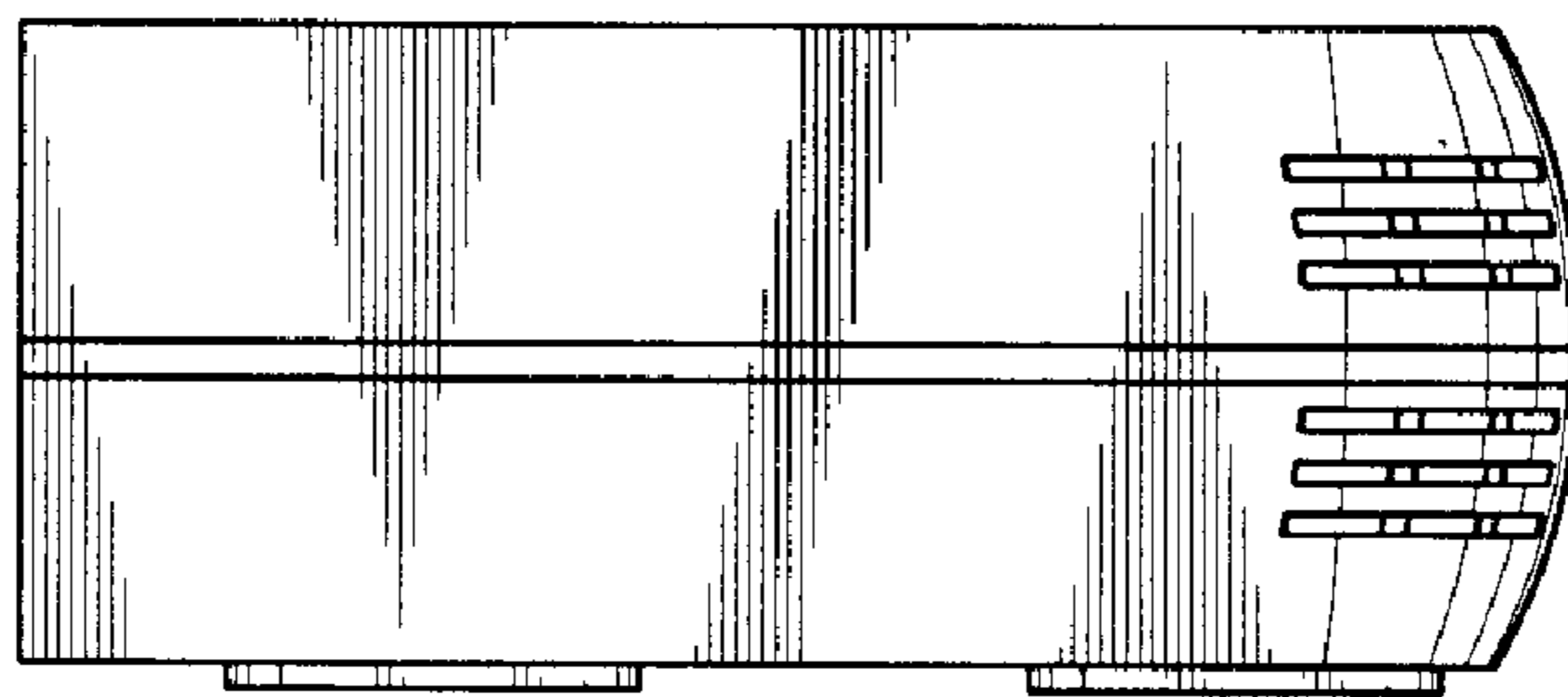


FIG. 5

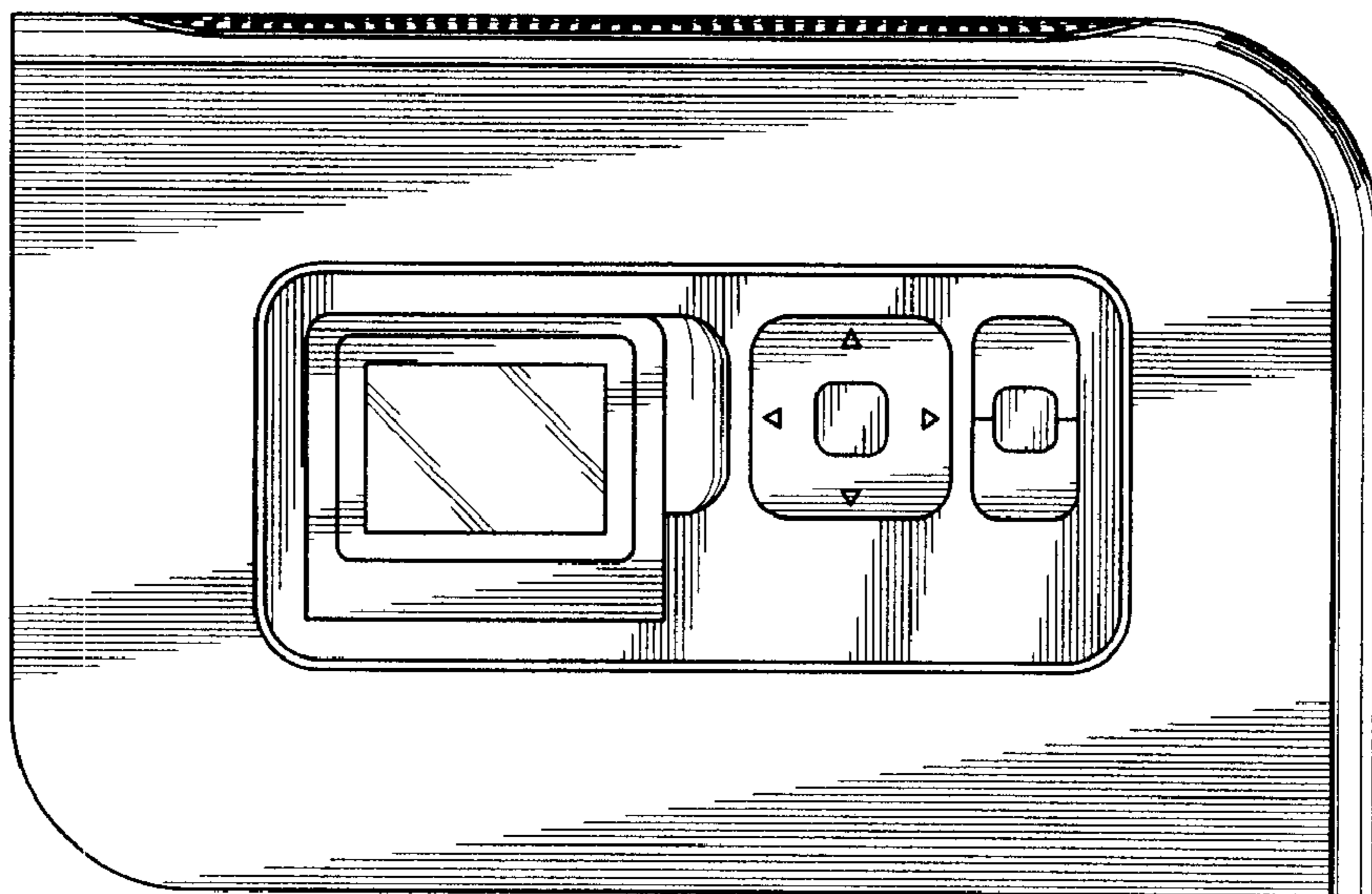


FIG. 6

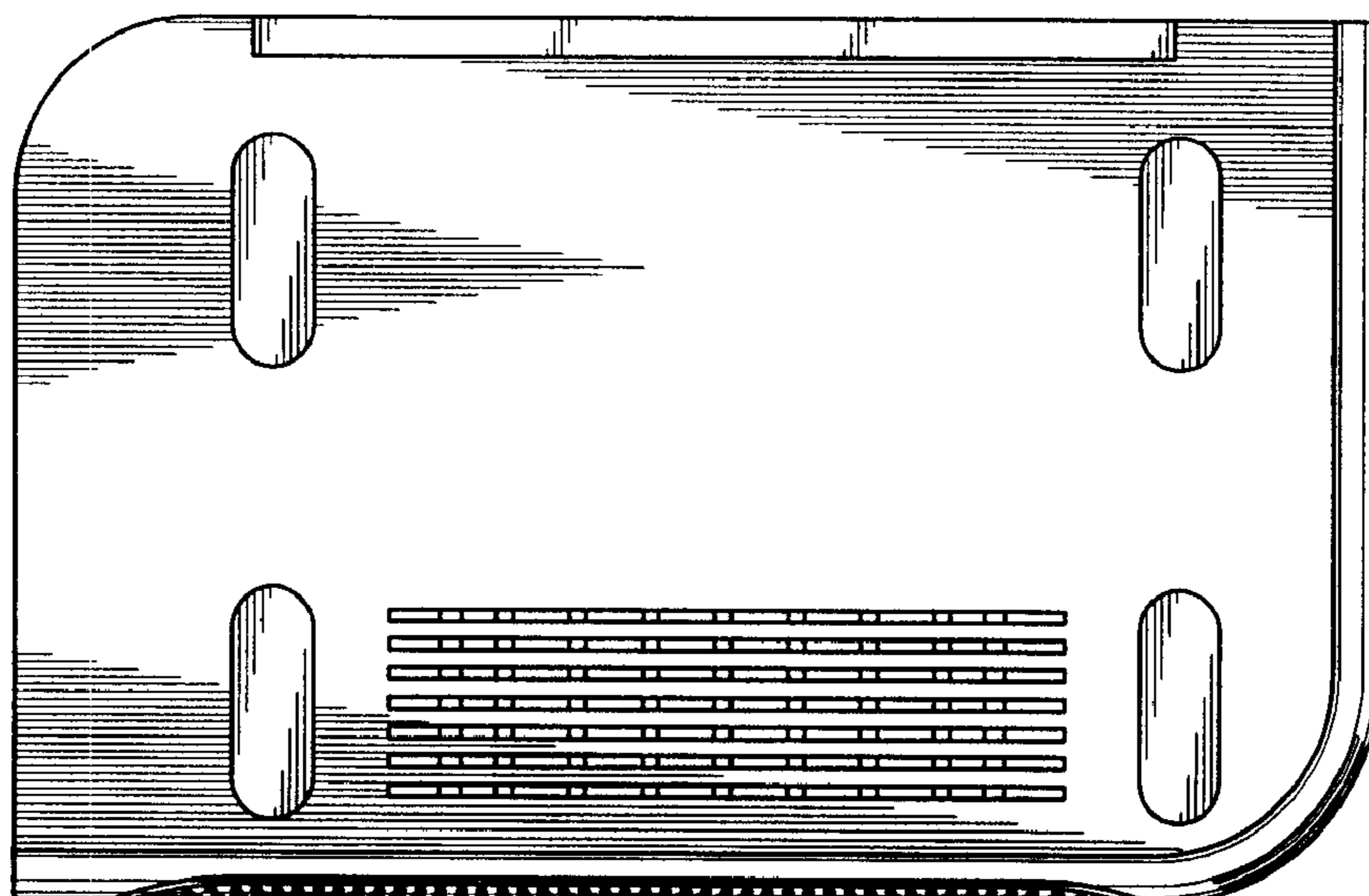


FIG. 7