



US00D532446S

(12) **United States Design Patent**
Hwang

(10) **Patent No.:** **US D532,446 S**

(45) **Date of Patent:** **** Nov. 21, 2006**

(54) **DEVICE INTERFACE**

(75) Inventor: **Pete Hwang**, Vancouver, WA (US)

(73) Assignee: **Hewlett-Packard Development Company, L.P.**, Houston, TX (US)

(**) Term: **14 Years**

(21) Appl. No.: **29/198,965**

(22) Filed: **Feb. 5, 2004**

(51) **LOC (8) Cl.** **14-02**

(52) **U.S. Cl.** **D18/50**

(58) **Field of Classification Search** D18/19,
D18/36-41, 50, 53, 54, 54.1, 55; D14/420-425,
D14/462-470; 400/613, 613.1-613.4, 690.1-690.4
See application file for complete search history.

(56) **References Cited**

U.S. PATENT DOCUMENTS

D344,077 S * 2/1994 Inukai et al. D14/462
D360,428 S * 7/1995 Hayashihara D18/50

D377,341 S * 1/1997 Imai et al. D14/343
5,796,388 A * 8/1998 Yasuhara et al. 345/168
D434,770 S * 12/2000 Goto D14/413
D456,804 S * 5/2002 Fisher et al. D14/341
D479,527 S * 9/2003 Eigenstetter et al. D14/346
D489,063 S * 4/2004 Chiu et al. D14/343

* cited by examiner

Primary Examiner—Louis S. Zarfes
Assistant Examiner—Anhdao Doan

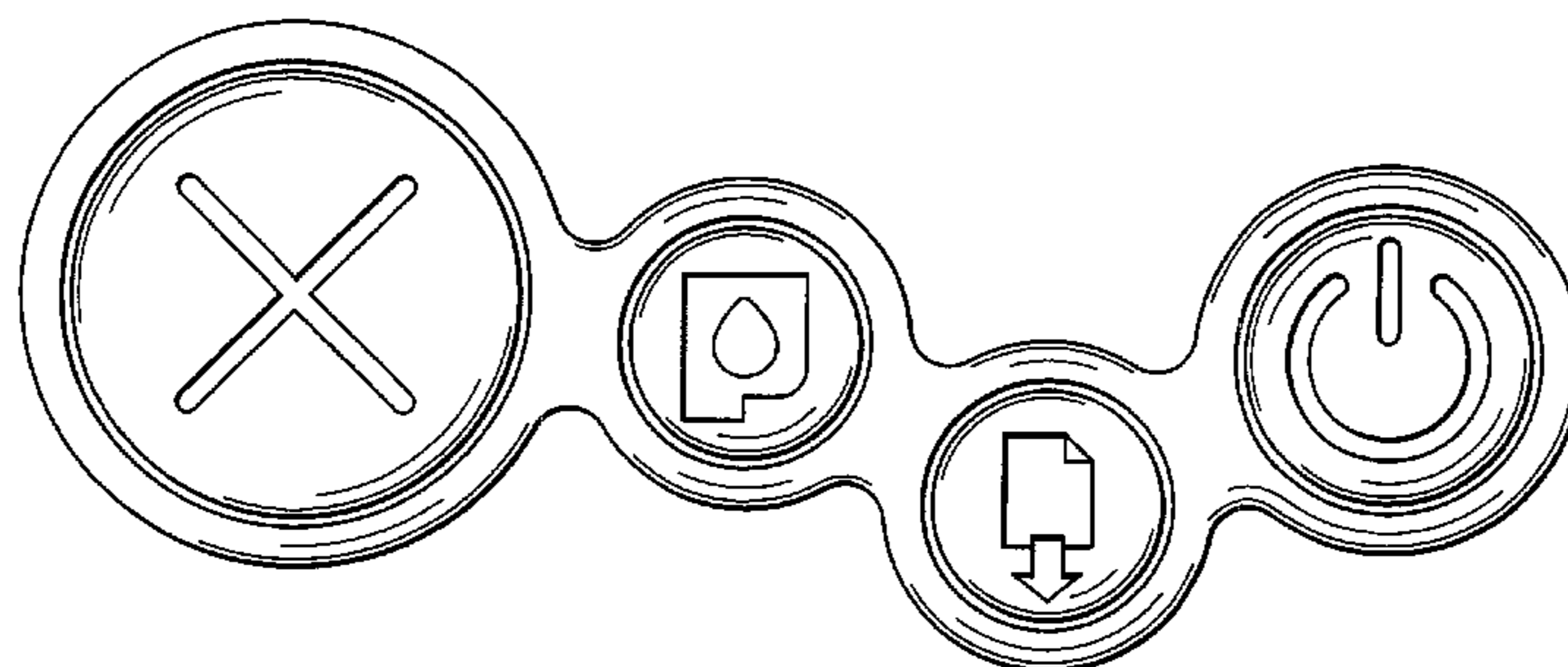
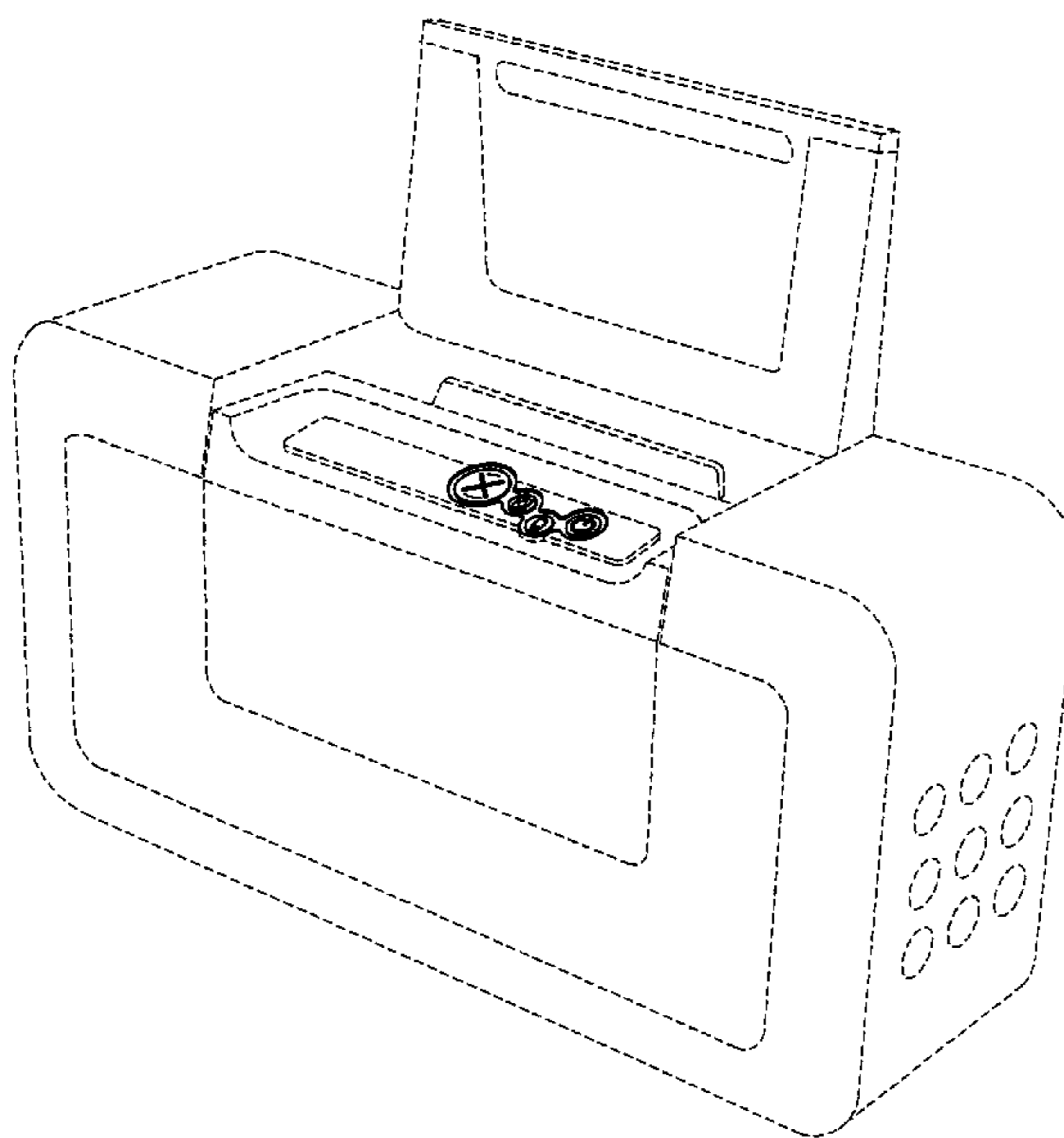
(57) **CLAIM**

The ornamental design for a device interface, as shown and described.

DESCRIPTION

FIG. 1 is a right-front perspective view of a device interface showing the new design; and, FIG. 2 is a top view thereof. The broken lines showing in FIG. 1 are for illustrative purposes only and form no part of the claimed invention.

1 Claim, 2 Drawing Sheets



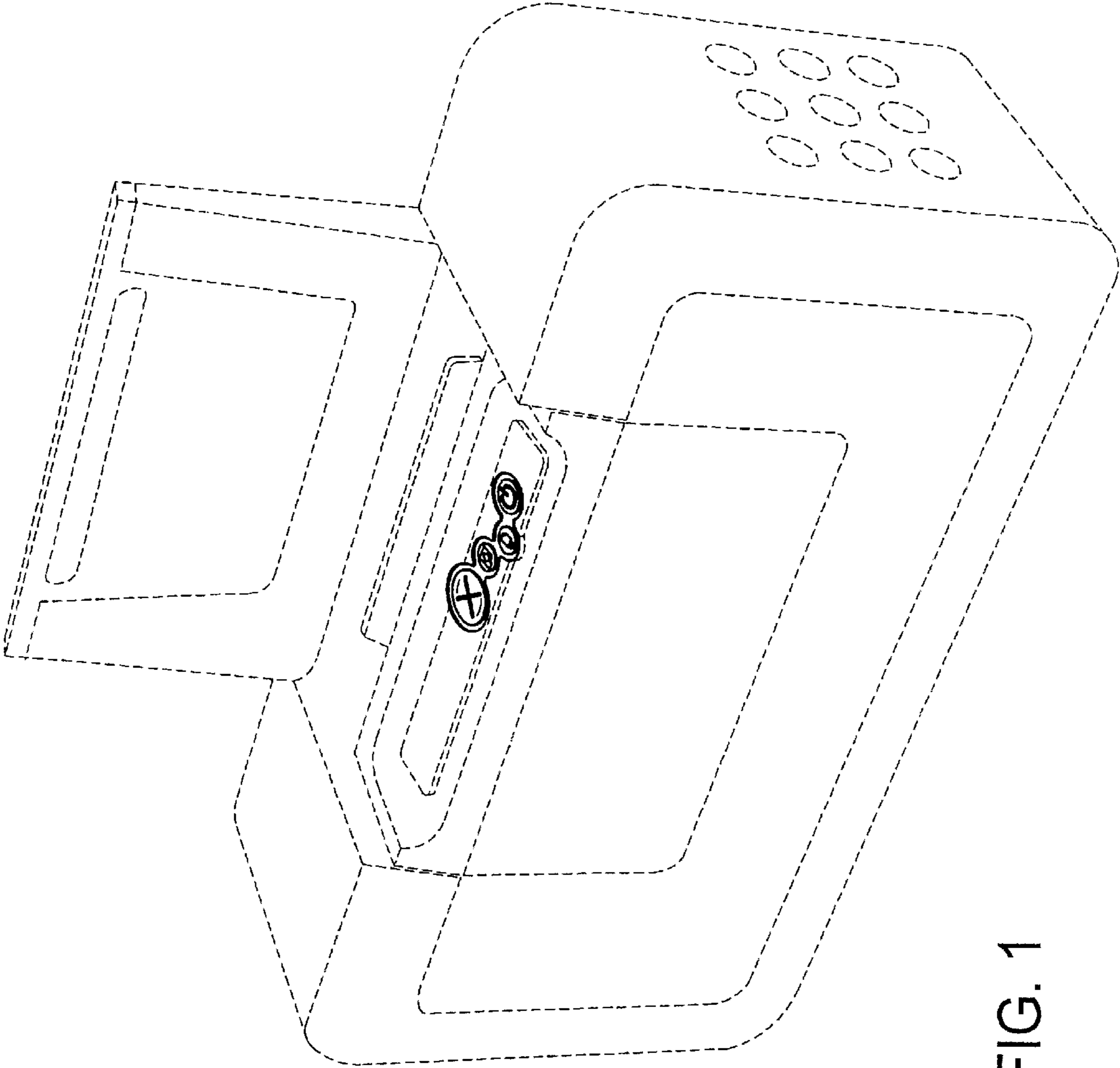


FIG. 1

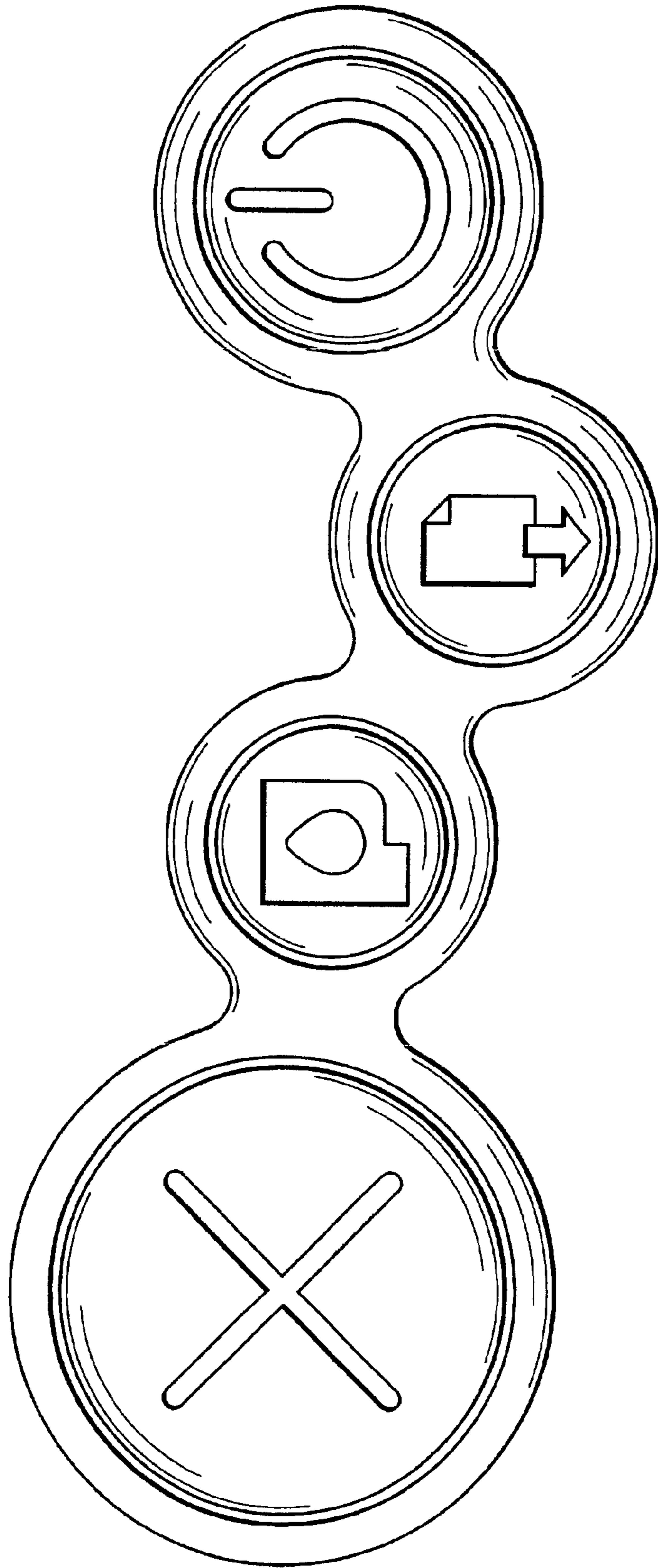


FIG. 2