



US00D532444S

(12) **United States Design Patent** (10) **Patent No.:** **US D532,444 S**
Kao et al. (45) **Date of Patent:** **** Nov. 21, 2006**

(54) **SHREDDER**
(76) Inventors: **Cheng Chung Kao**, 5F, No. 11, Sanning St., Sanchung City, Taipei (TW); **Aron Abramson**, 2025 E. 9 St., Brooklyn, NY (US) 11223; **Charles Sued**, 3360 Bedford Ave., Brooklyn, NY (US) 11210
(**) Term: **14 Years**
(21) Appl. No.: **29/235,085**
(22) Filed: **Jul. 27, 2005**
(51) **LOC (8) Cl.** **18-04**
(52) **U.S. Cl.** **D18/34.4; D18/34.5**
(58) **Field of Classification Search** D18/34.1-34.9, D18/99, 50; 83/167, 289, 302, 203, 523, 83/633; 241/169.1, 36, 154, 157, 222, 224, 241/168, 284, 295, 37.5, 100, 236; 385/13; D8/99; D7/381, 383
See application file for complete search history.

CN 3397934 10/2004
CN 3420172 1/2005
CN 3421634 1/2005
CN 2678767 2/2005
CN 2678769 2/2005
CN 3426563 2/2005
CN 2684930 3/2005
CN 2684931 3/2005
CN 3429861 3/2005
CN 3431502 3/2005
CN 3434332 3/2005
CN 3434333 3/2005
CN 3436018 3/2005
CN 3436019 3/2005
CN 2372104 4/2005
CN 2372283 4/2005
CN 3446250 5/2005
CN 2383583 6/2005
CN 3457322 6/2005
CN 3457323 6/2005
CN 3457325 6/2005
CN 2709007 7/2005
CN 3460796 7/2005

Primary Examiner—Charles A. Rademaker
(74) *Attorney, Agent, or Firm*—Garcia-Zamor IP Law; Ruy M. Garcia-Zamor

(56) **References Cited**

U.S. PATENT DOCUMENTS

D293,684 S * 1/1988 Sadler et al. D18/34.5
5,692,424 A * 12/1997 Wallace 83/167

(Continued)

FOREIGN PATENT DOCUMENTS

CN 3143129 3/2000
CN 3149643 5/2000
CN 3162622 10/2000
CN 2438503 7/2001
CN 3200986 9/2001
CN 2467179 12/2001
CN 3216733 1/2002
CN 3221915 2/2002
CN 3229342 3/2002
CN 2541049 3/2003
CN 2604251 2/2004
CN 2636985 9/2004
CN 2638840 9/2004
CN 3391961 9/2004
CN 3393336 9/2004

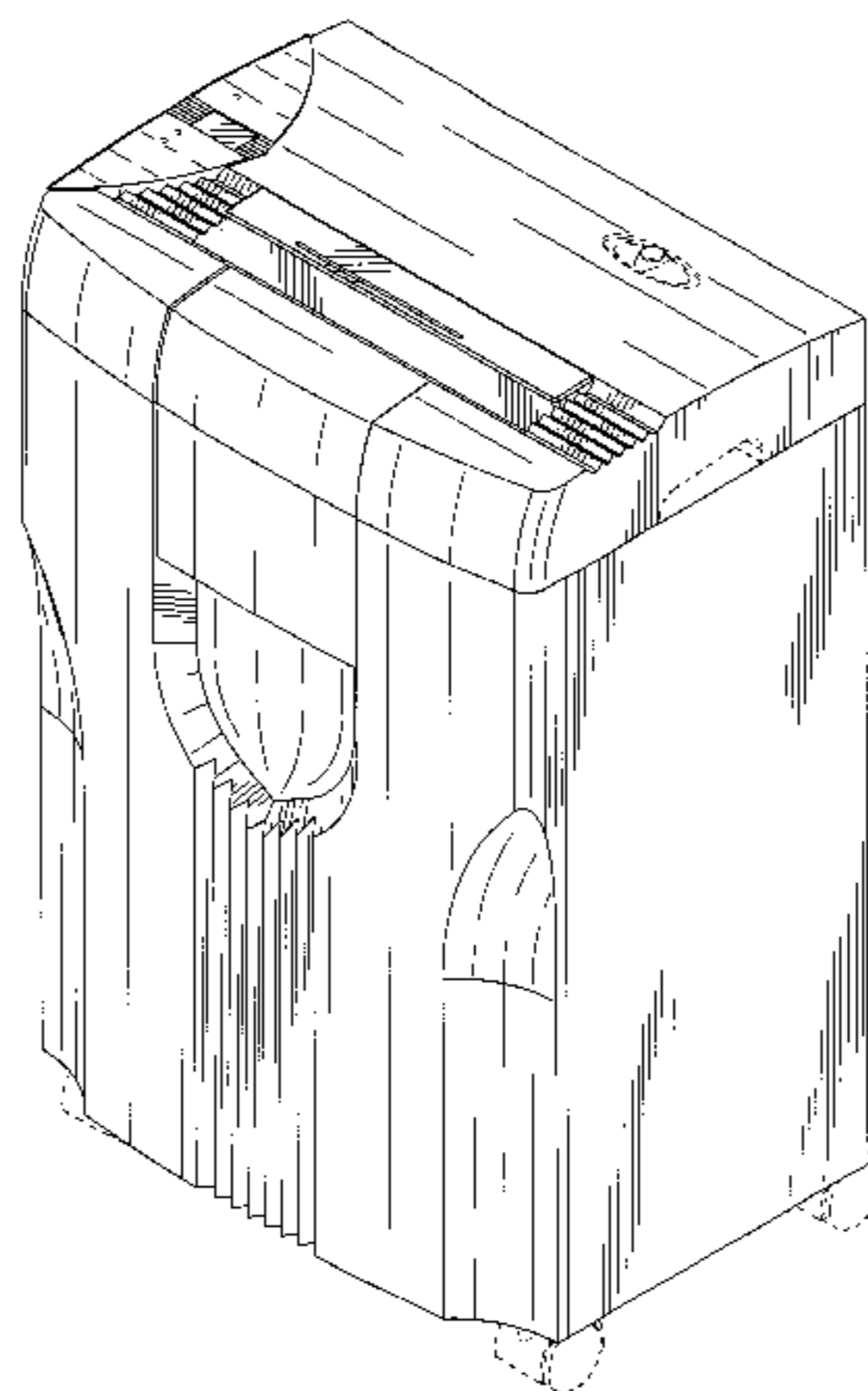
(57) **CLAIM**

The ornamental design for a shredder, as shown and described.

DESCRIPTION

FIG. 1 is a perspective view of a shredder showing our new design;
FIG. 2 is a top plan view thereof;
FIG. 3 is a front plan view thereof;
FIG. 4 is a rear elevation thereof;
FIG. 5 is a bottom plan thereof;
FIG. 6 is a right side elevation thereof; and,
FIG. 7 is a left side elevation thereof.
The broken line showing of environment in the figure drawings is for illustrative purposes only and forms no part of the claimed design.

1 Claim, 4 Drawing Sheets



US D532,444 S

Page 2

U.S. PATENT DOCUMENTS							
				6,513,740	B1	2/2003	Ho
				6,588,616	B1	7/2003	Ho
D410,246	S	*	5/1999 Holderfield	D498,252	S	* 11/2004	Lo
D410,946	S	*	6/1999 Holderfield	D498,253	S	* 11/2004	Lo
6,164,573	A	*	12/2000 Li-Ming	D502,729	S	3/2005	Lo
D437,343	S	*	2/2001 Ho	D502,960	S	3/2005	Lo
D446,543	S		8/2001 Ho	D502,961	S	3/2005	Lo
D449,850	S		10/2001 Ho	6,964,386	B1	* 11/2005	Ho
D454,907	S		3/2002 Ho	7,025,293	B1	* 4/2006	Matlin et al.
D455,170	S		4/2002 Ho	2005/0274836	A1	* 12/2005	Chang
D455,171	S		4/2002 Ho				
6,390,398	B1	*	5/2002 Wu Huang				

* cited by examiner

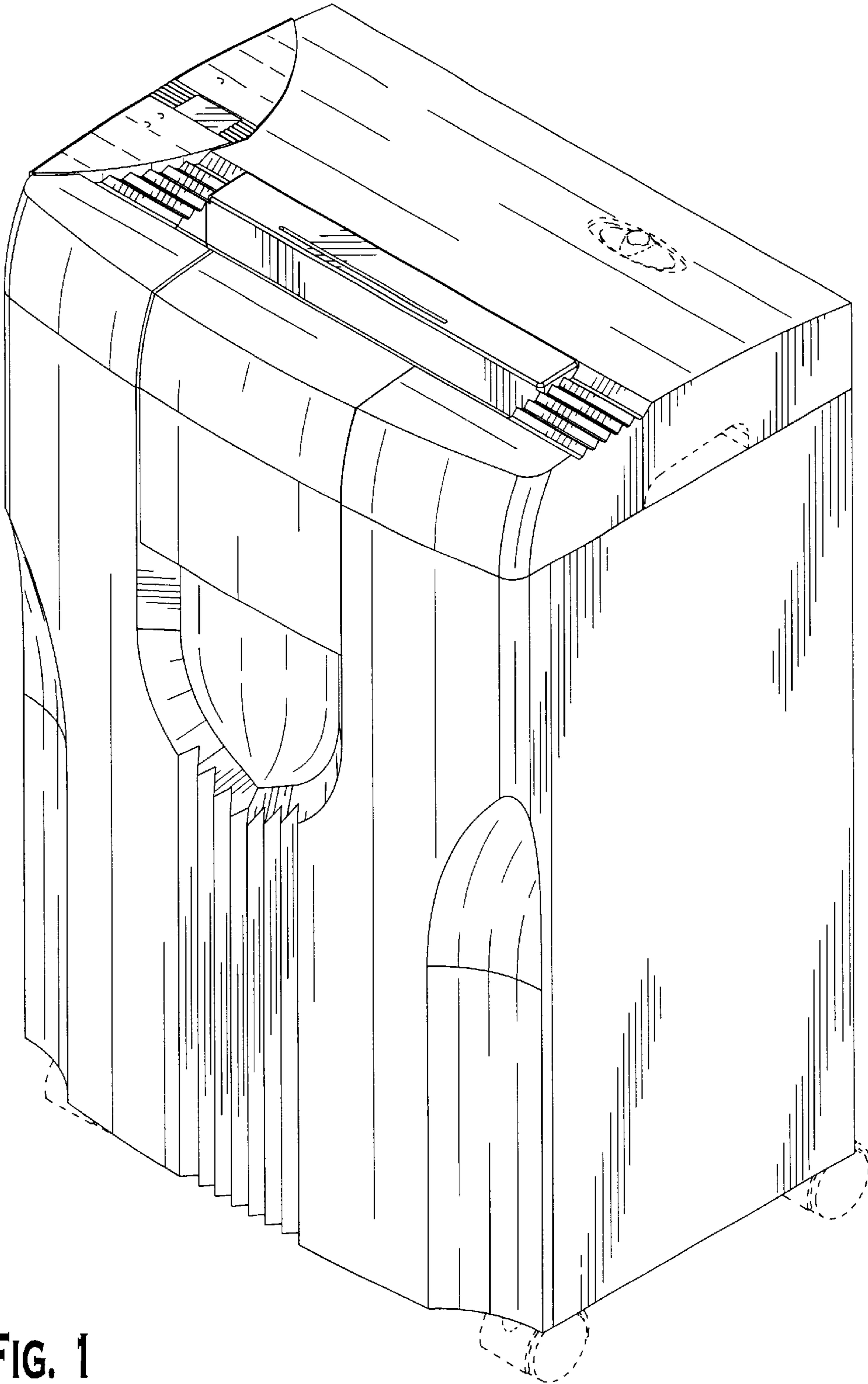


FIG. 1

FIG. 2

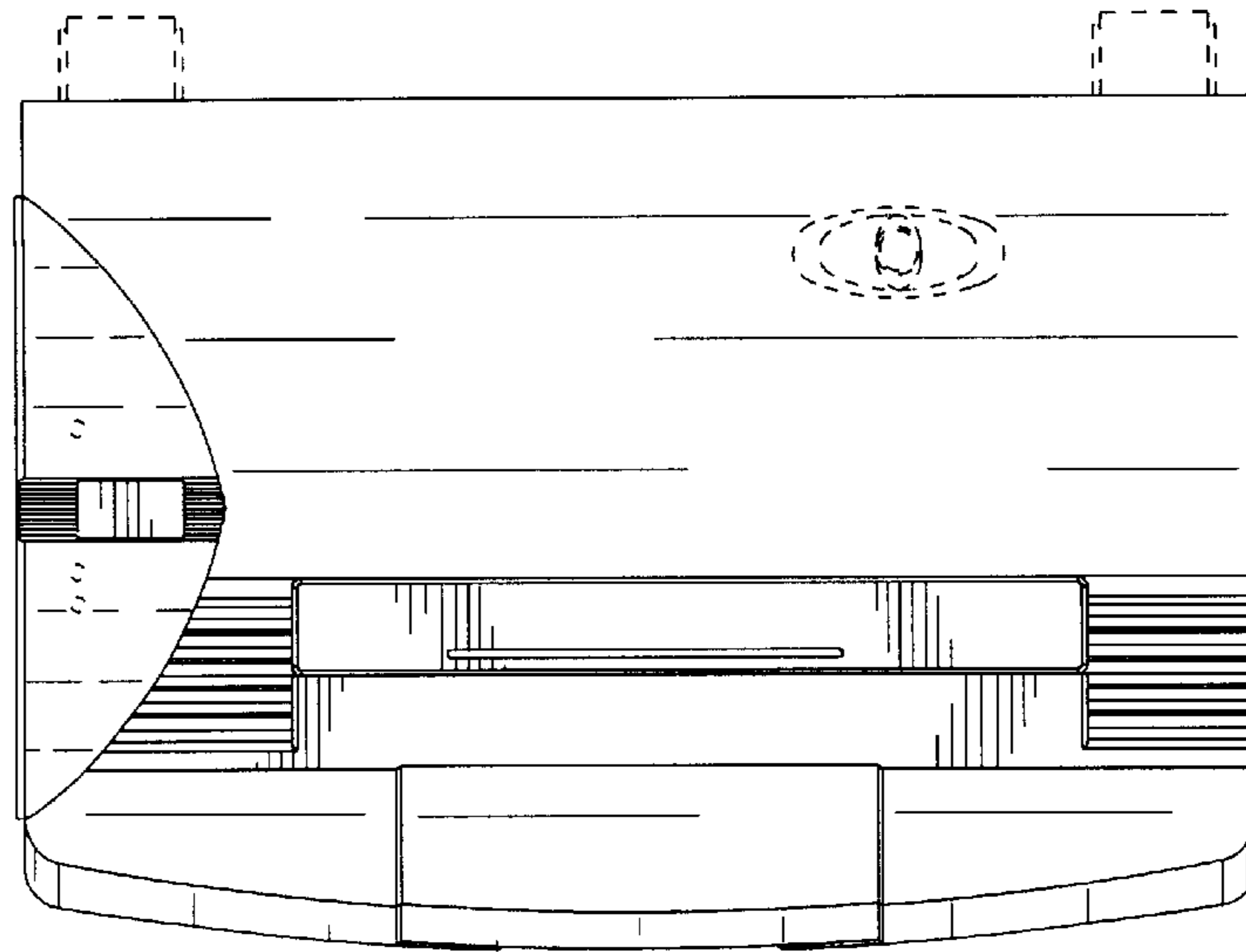


FIG. 3

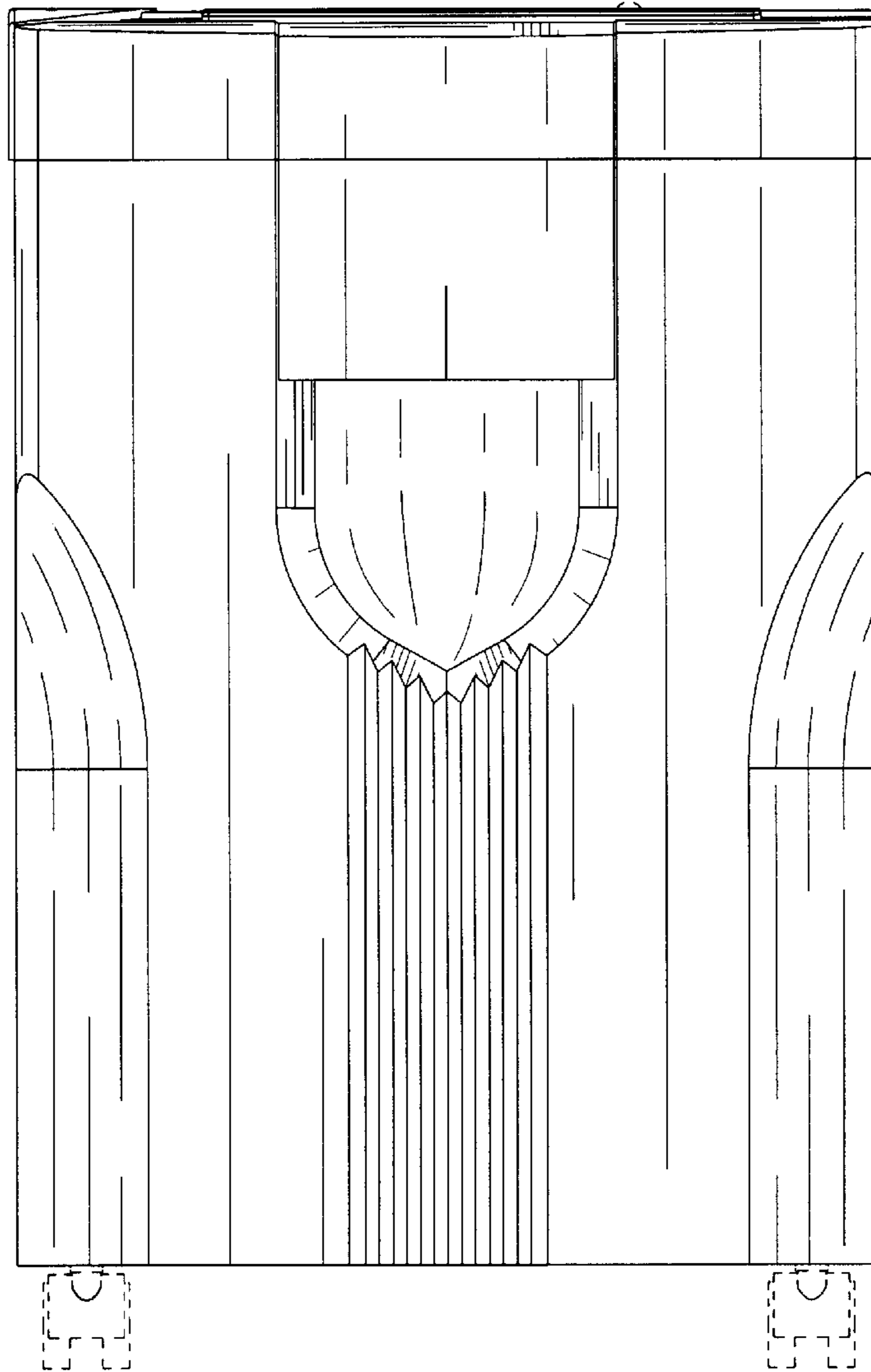


FIG. 4

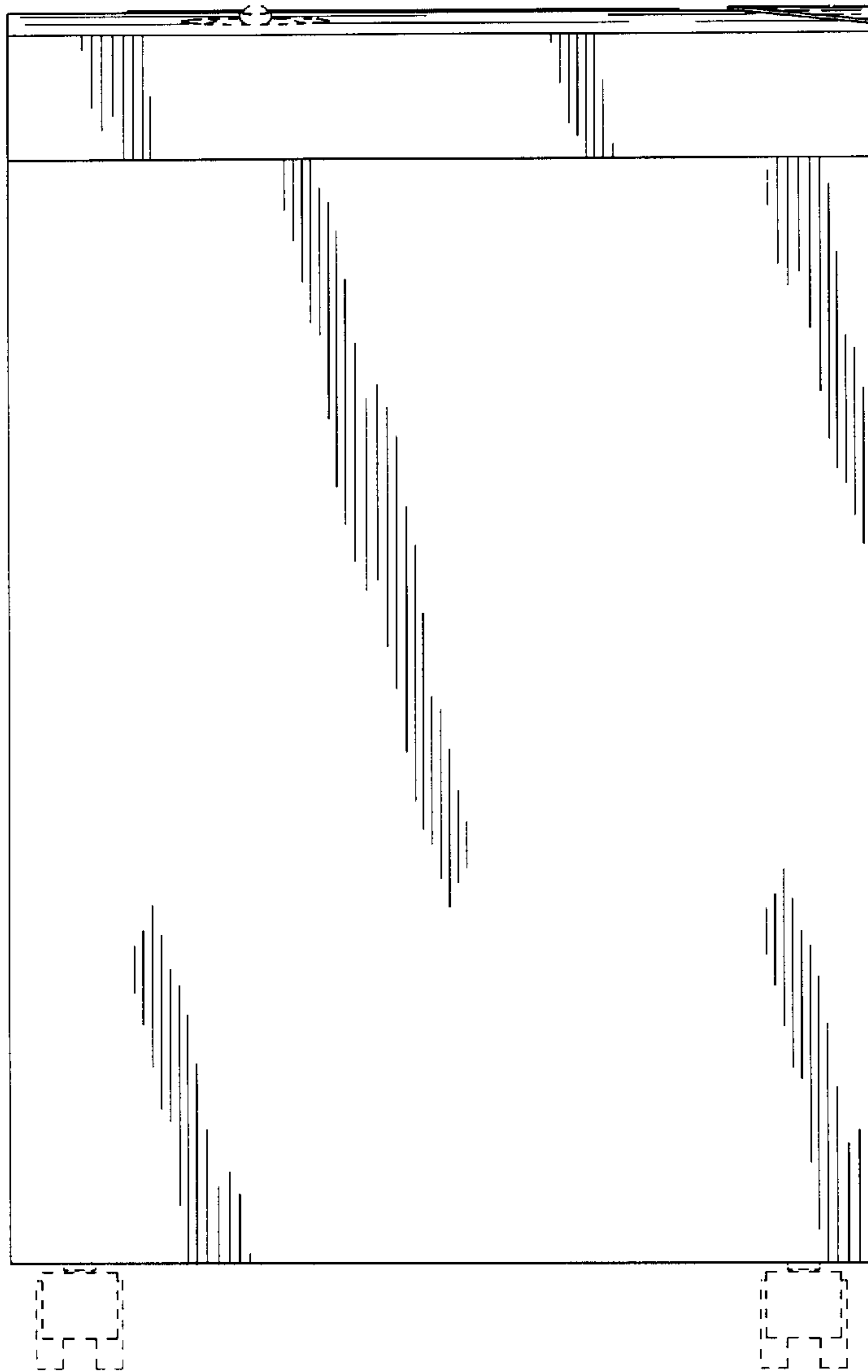
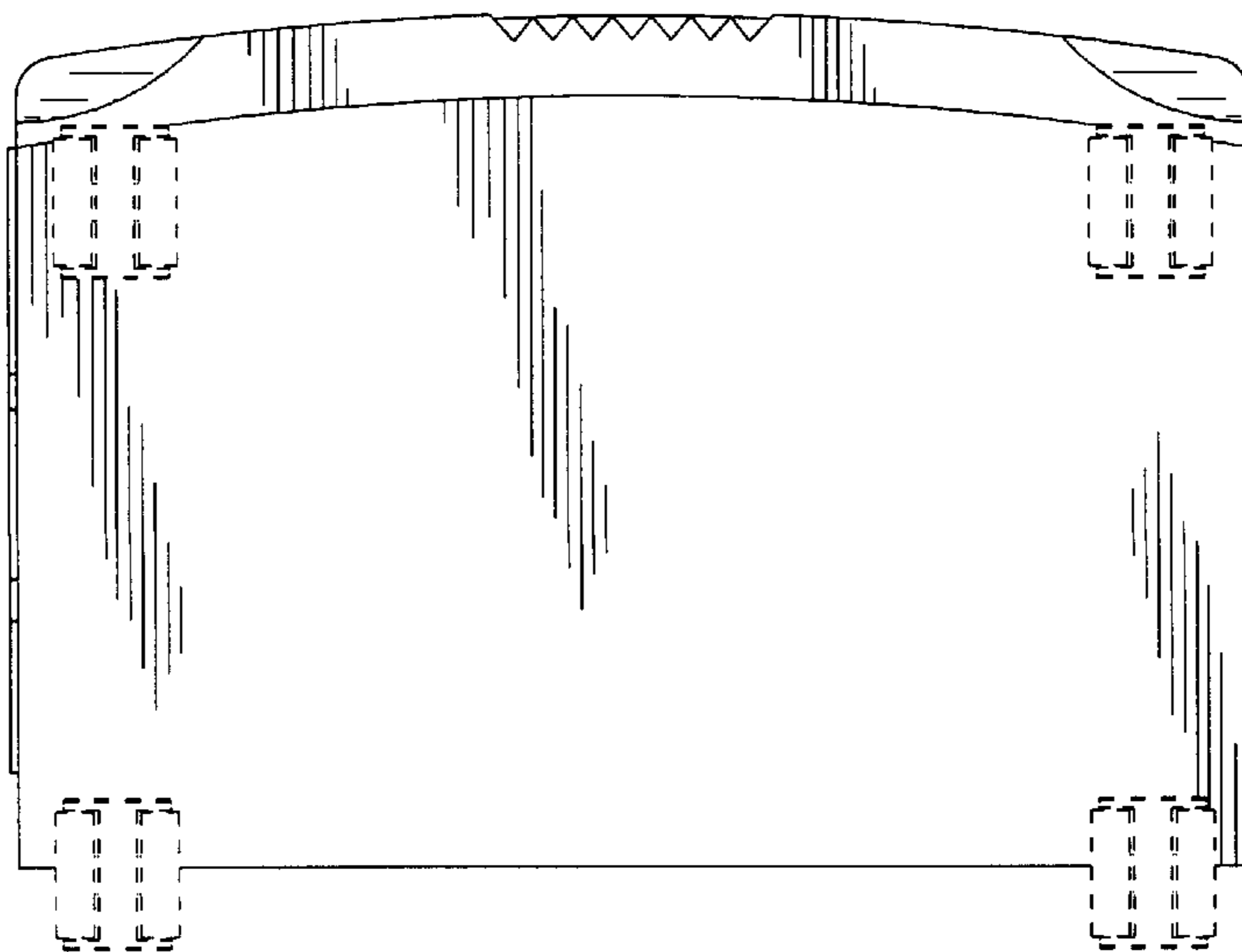


FIG. 5



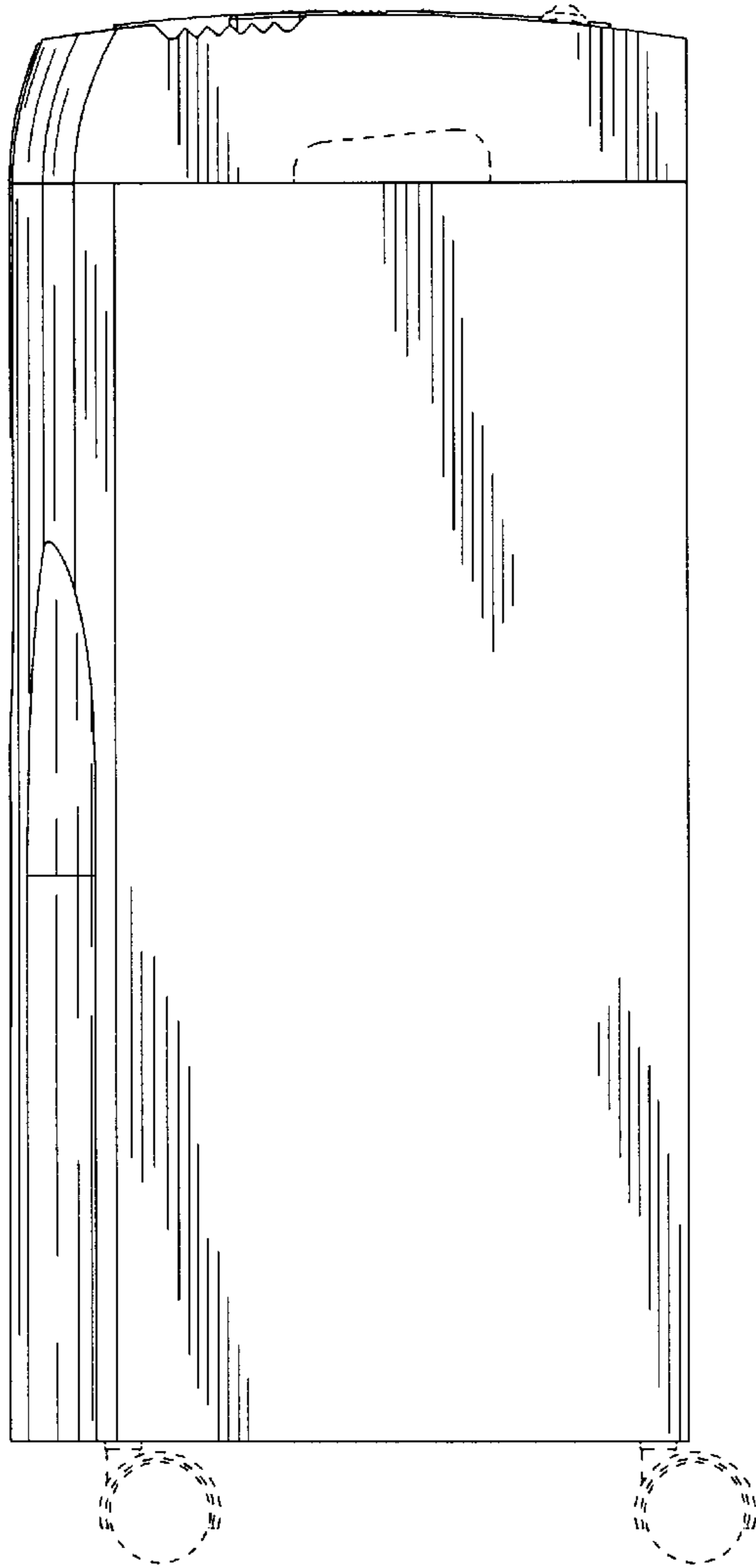


FIG. 6

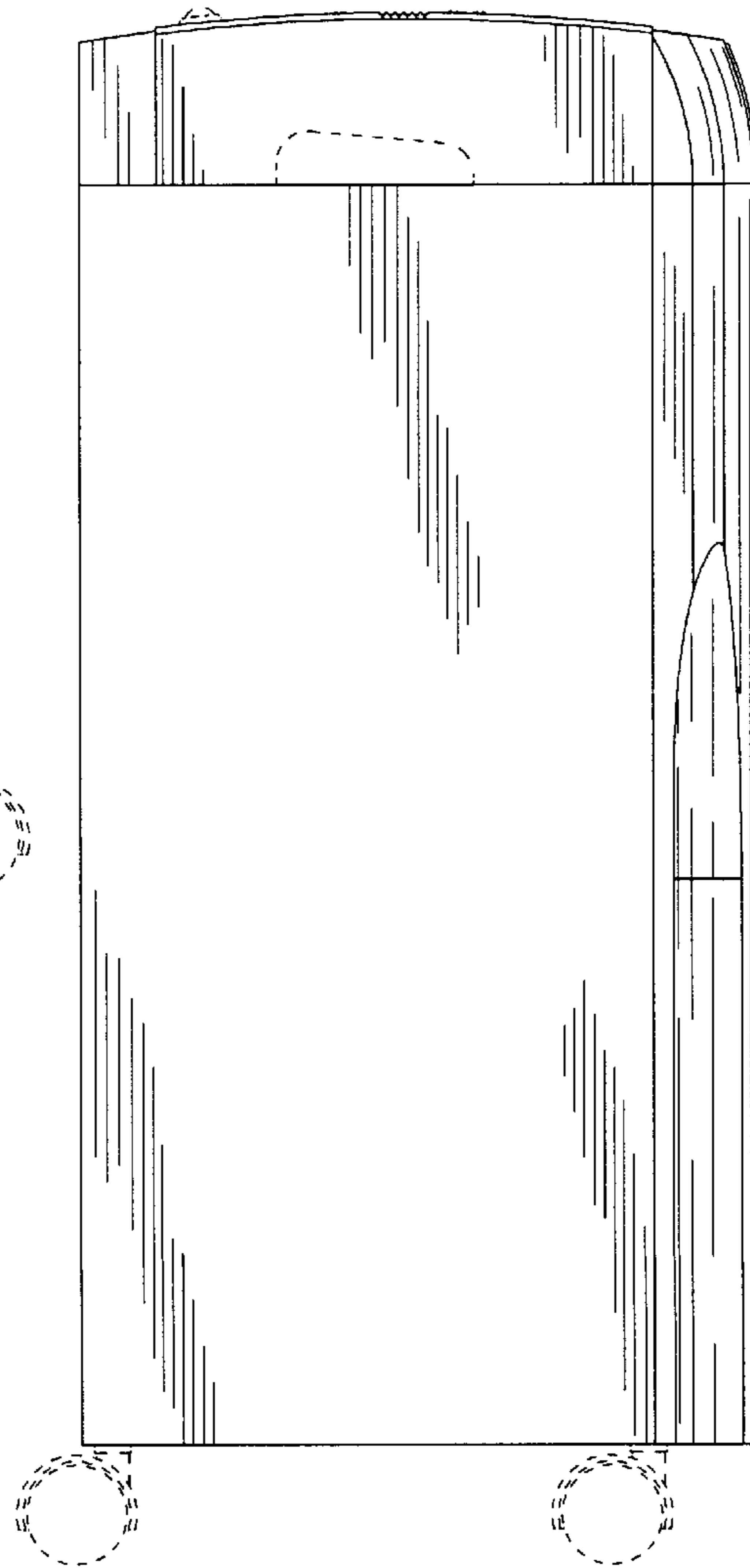


FIG. 7

UNITED STATES PATENT AND TRADEMARK OFFICE
CERTIFICATE OF CORRECTION

PATENT NO. : Des. 532,444 S
APPLICATION NO. : 29/235085
DATED : November 21, 2006
INVENTOR(S) : Kao et al.

Page 1 of 6

It is certified that error appears in the above-identified patent and that said Letters Patent is hereby corrected as shown below:

THE TILTE PAGE, SHOWING AN ILLUSTRATIVE FIGURE, SHOULD BE
DELETED AND SUBSTITUTE THEREFOR THE ATTACHED TITLE PAGE.

DELTE DRAWING SHEETS 1-3, AND SUBSTITUTE THEREFOR THE DRWAING
SHEETS CONSISTIN OF FIG 1-4 AS SHOWN ON THE ATTACHED PAGES.

Signed and Sealed this

Twenty-seventh Day of February, 2007

A handwritten signature in black ink on a light gray dotted background. The signature reads "Jon W. Dudas" in a cursive style.

JON W. DUDAS

Director of the United States Patent and Trademark Office

(12) **United States Design Patent** (10) Patent No.: **US D532,444 S**
Kao et al. (45) Date of Patent: **** Nov. 21, 2006**

(54) SHREDDER	CN	3397934	10/2004
	CN	3420172	1/2005
(76) Inventors: Cheng Chung Kao, 5E, No. 11, Sanning St., Sanchung City, Taipei (TW); Aron Abramson, 2025 E. 9 St., Brooklyn, NY (US) 11223; Charles Sued, 3360 Bedford Ave., Brooklyn, NY (US) 11210	CN	3421634	1/2005
	CN	2678767	2/2005
	CN	2678769	2/2005
	CN	3426563	2/2005
	CN	2684930	3/2005
	CN	2684931	3/2005
	CN	3429861	3/2005
(**) Term: 14 Years	CN	3431502	3/2005
	CN	3434332	3/2005
(21) Appl. No.: 29/235,085	CN	3434333	3/2005
(22) Filed: Jul. 27, 2005	CN	3436018	3/2005
	CN	3436019	3/2005
(51) LOC (8) Cl. 18-04	CN	2372104	4/2005
(52) U.S. Cl. D18/34.4; D18/34.5	CN	2372283	4/2005
(58) Field of Classification Search D18/34.1-34.9, D18/99, 50; 83/167, 289, 302, 203, 523, 83/633; 241/169.1, 36, 154, 157, 222, 224, 241/168, 284, 295, 37.5, 100, 236; 385/13; D8/99; D7/381, 383	CN	3446250	5/2005
	CN	2383583	6/2005
	CN	3457322	6/2005
	CN	3457323	6/2005
	CN	3457325	6/2005
	CN	2709007	7/2005
	CN	3460796	7/2005

See application file for complete search history.

Primary Examiner--Charles A. Rademker
 (74) Attorney, Agent, or Firm--Garcia-Zamor IP Law; Ruy M. Garcia-Zamor

(56) **References Cited**
U.S. PATENT DOCUMENTS

D293,684 S * 1/1998 Sadler et al. D18/34.5
 5,692,424 A * 12/1997 Wallace 83/167

(Continued)

FOREIGN PATENT DOCUMENTS

CN	3143129	3/2000
CN	3149643	5/2000
CN	3162622	10/2000
CN	2438503	7/2001
CN	3200986	9/2001
CN	2467179	12/2001
CN	3216733	1/2002
CN	3221915	2/2002
CN	3229342	3/2002
CN	2541049	3/2003
CN	2804251	2/2004
CN	2635985	9/2004
CN	2638840	9/2004
CN	3391961	9/2004
CN	3393336	9/2004

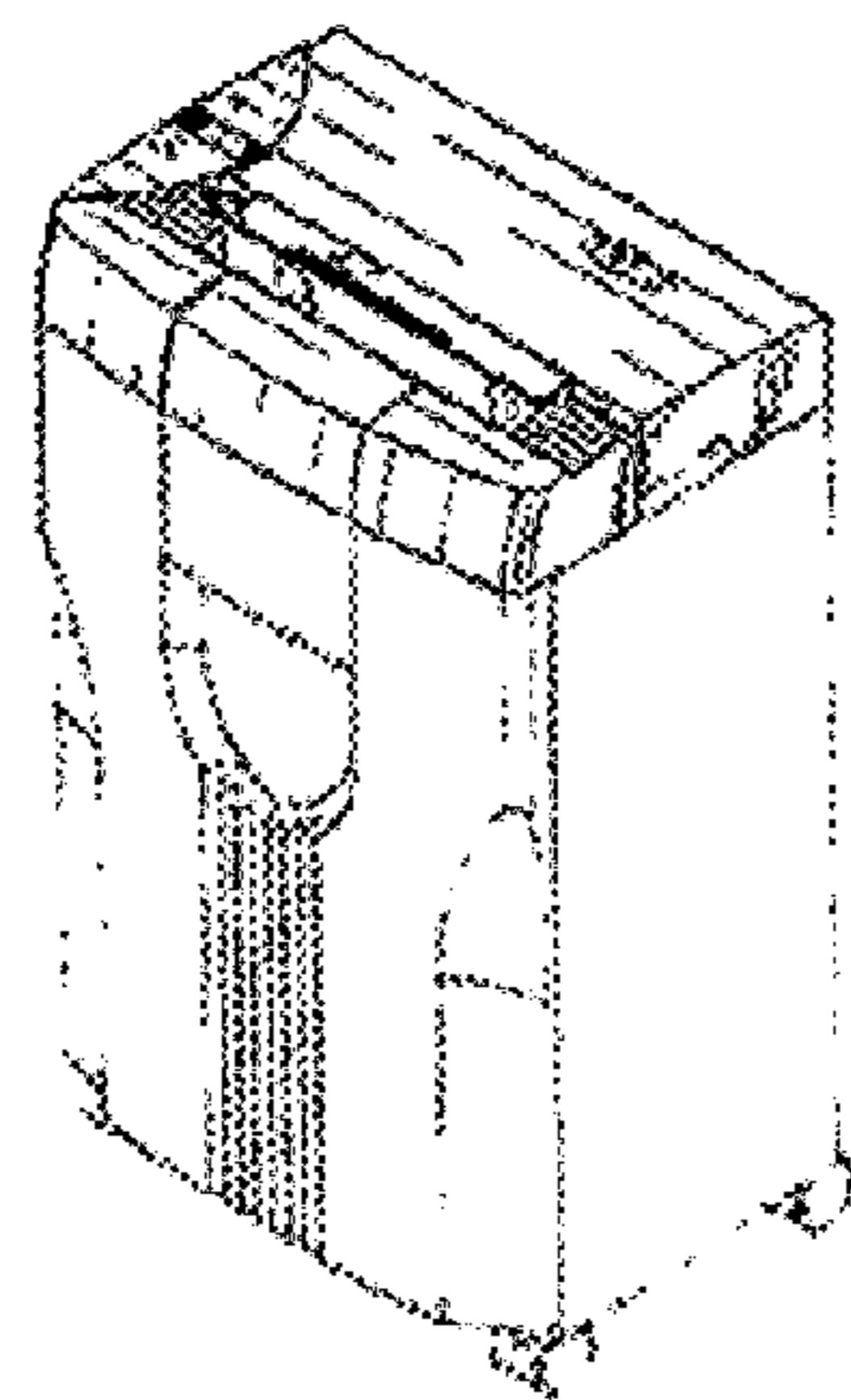
(57) **CLAIM**

The ornamental design for a shredder, as shown and described.

DESCRIPTION

FIG. 1 is a perspective view of a shredder showing our new design;
 FIG. 2 is a top plan view thereof;
 FIG. 3 is a front plan view thereof;
 FIG. 4 is a rear elevation thereof;
 FIG. 5 is a bottom plan thereof;
 FIG. 6 is a right side elevation thereof; and,
 FIG. 7 is a left side elevation thereof.
 The broken line showing of environment in the figure drawings is for illustrative purposes only and forms no part of the claimed design.

1 Claim, 4 Drawing Sheets



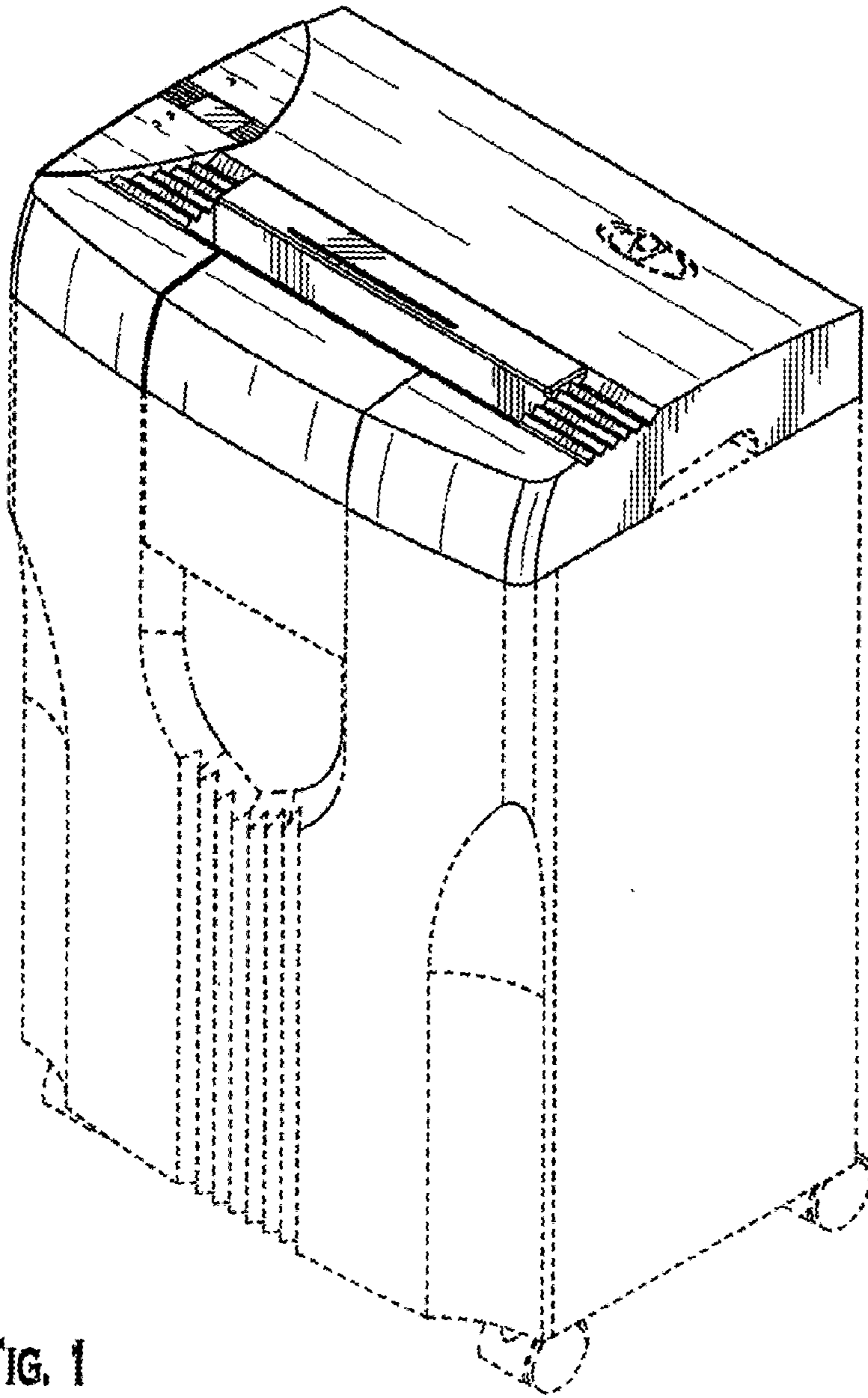


FIG. 1

FIG. 2

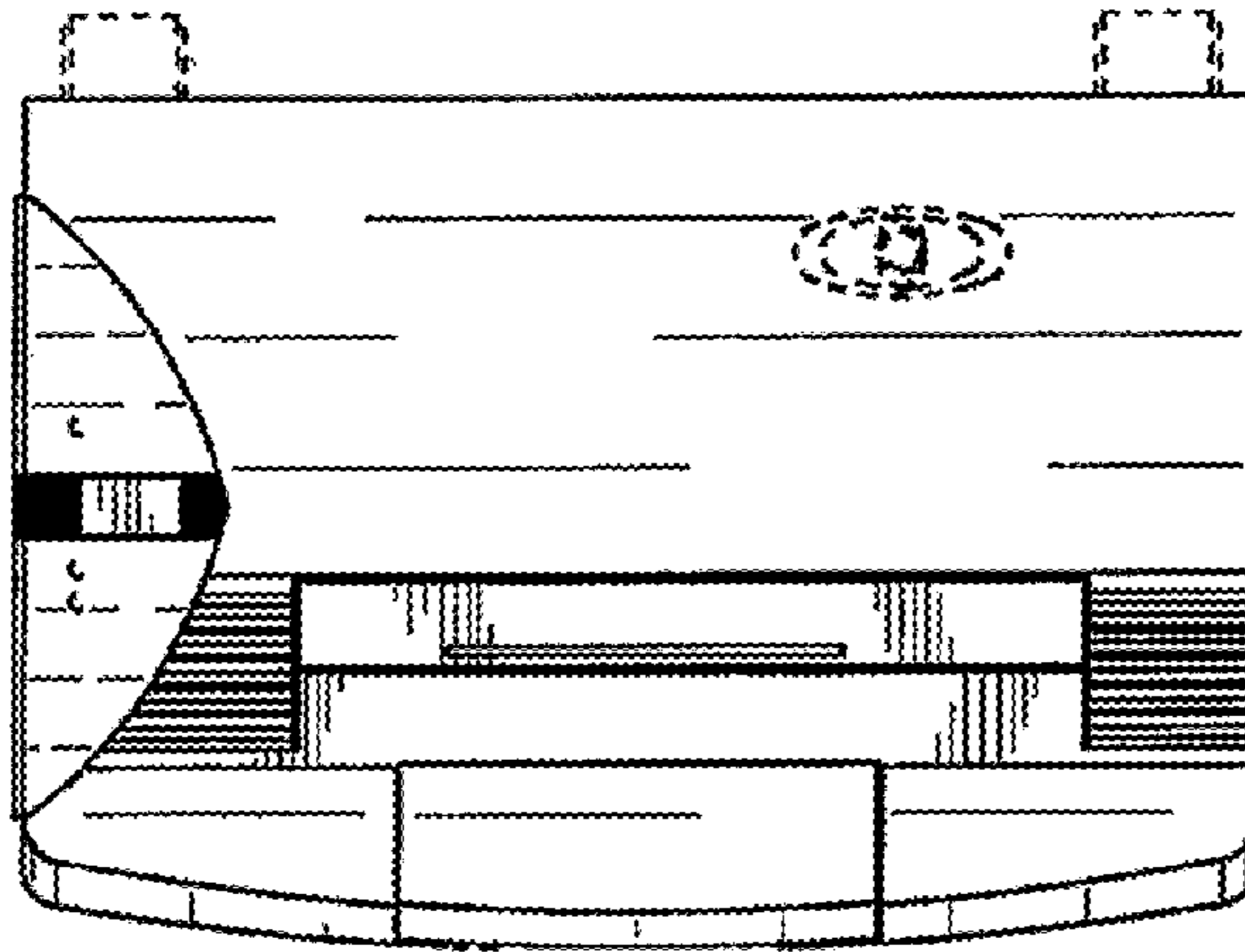


FIG. 3

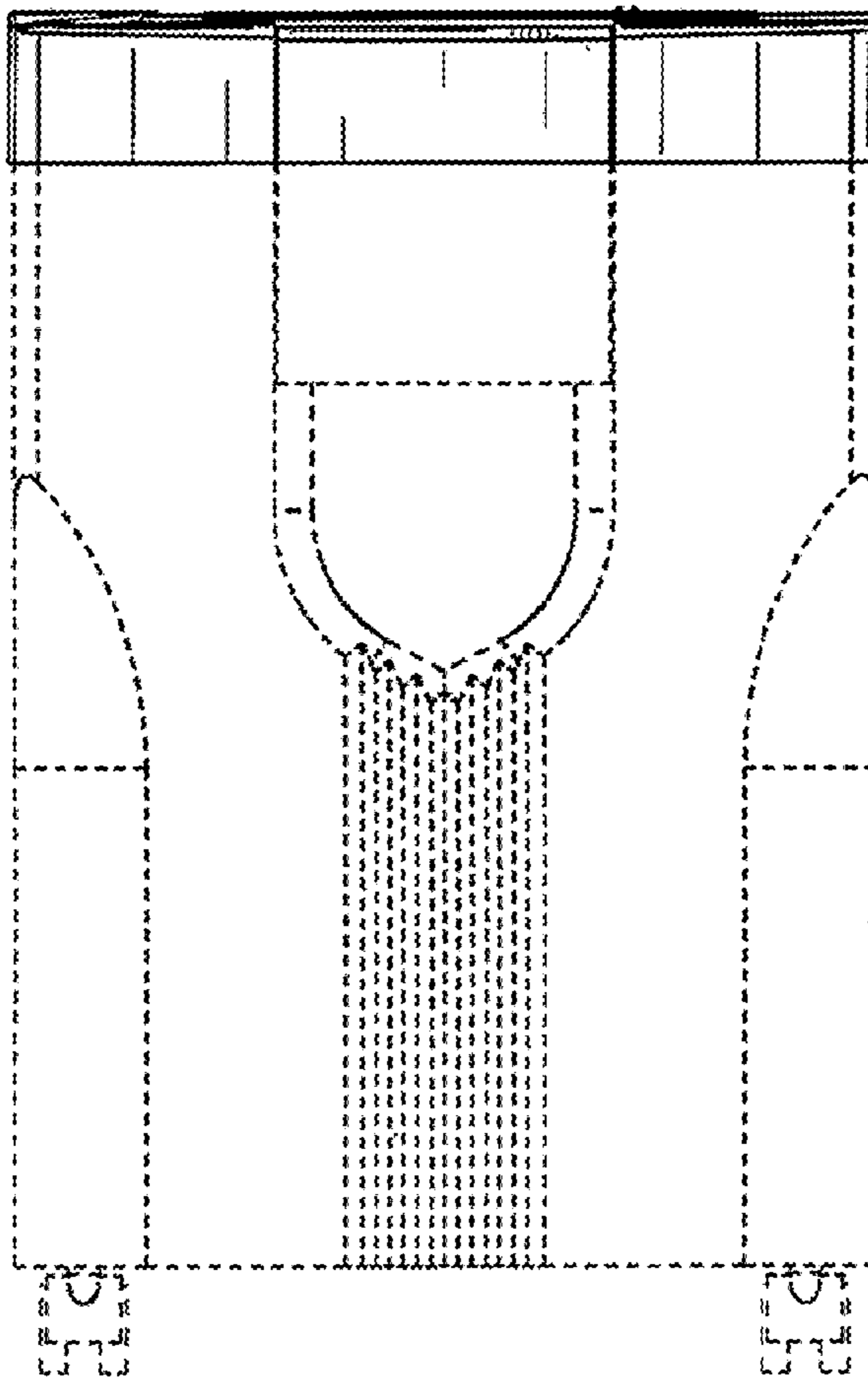


FIG. 4

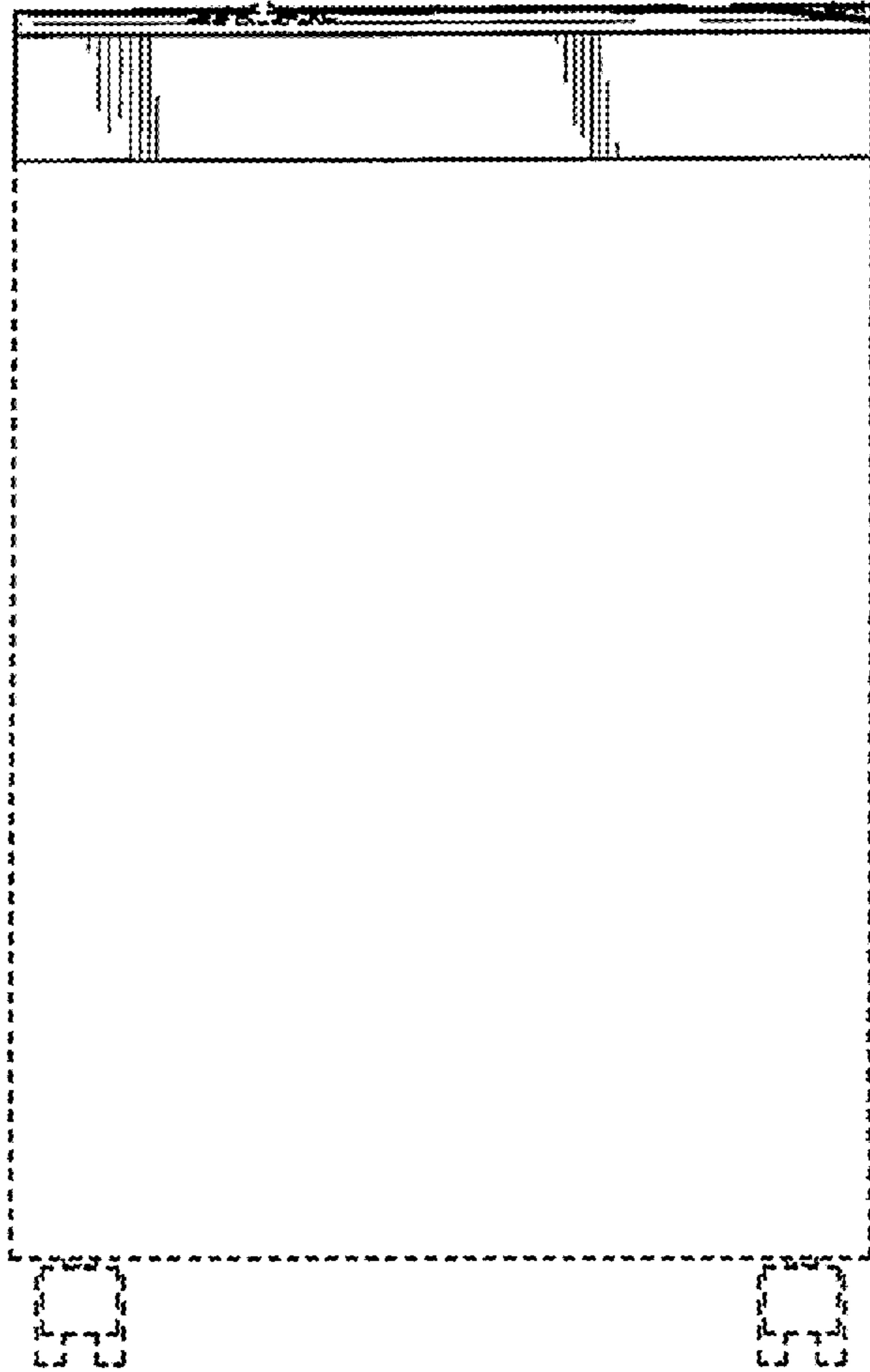
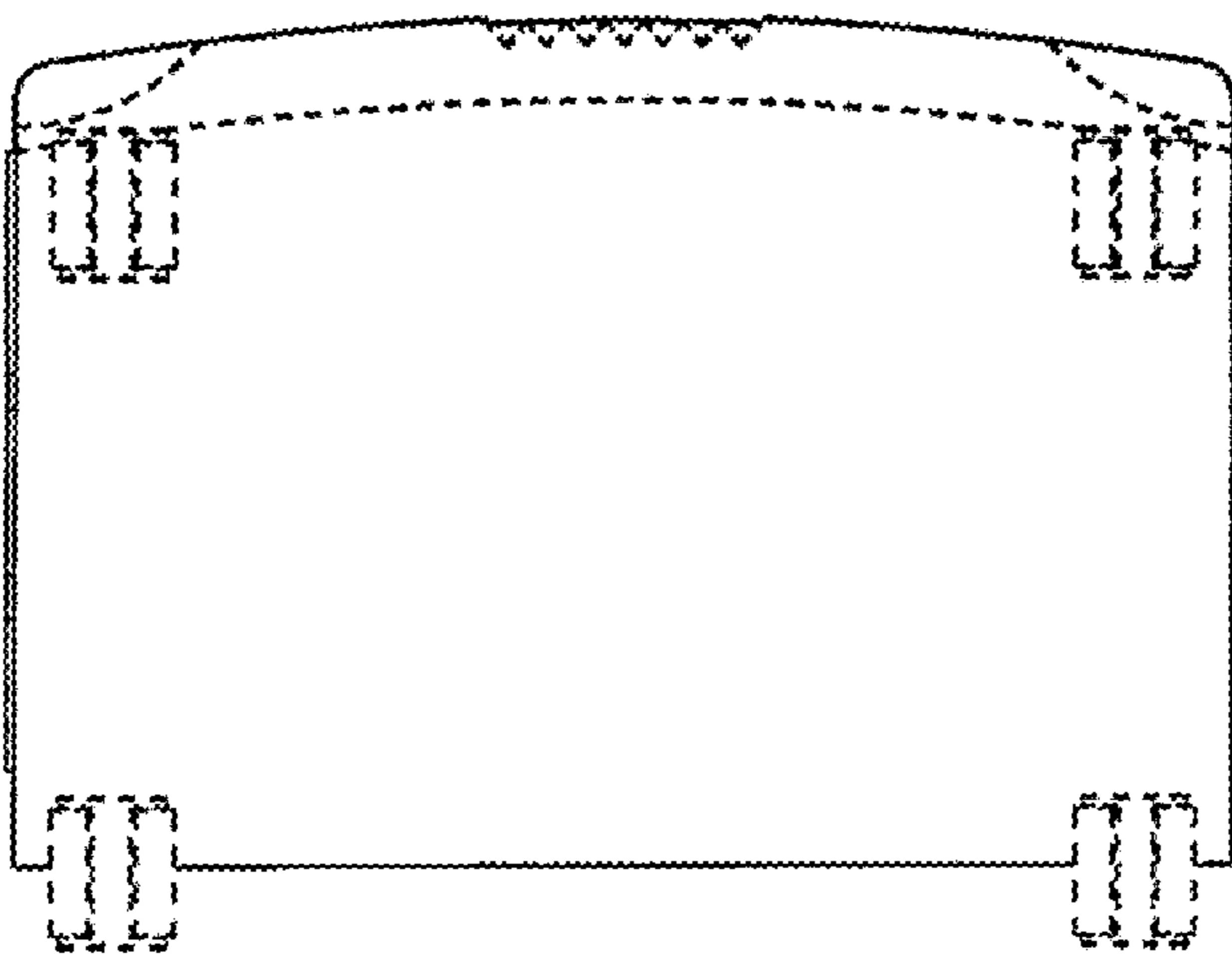


FIG. 5



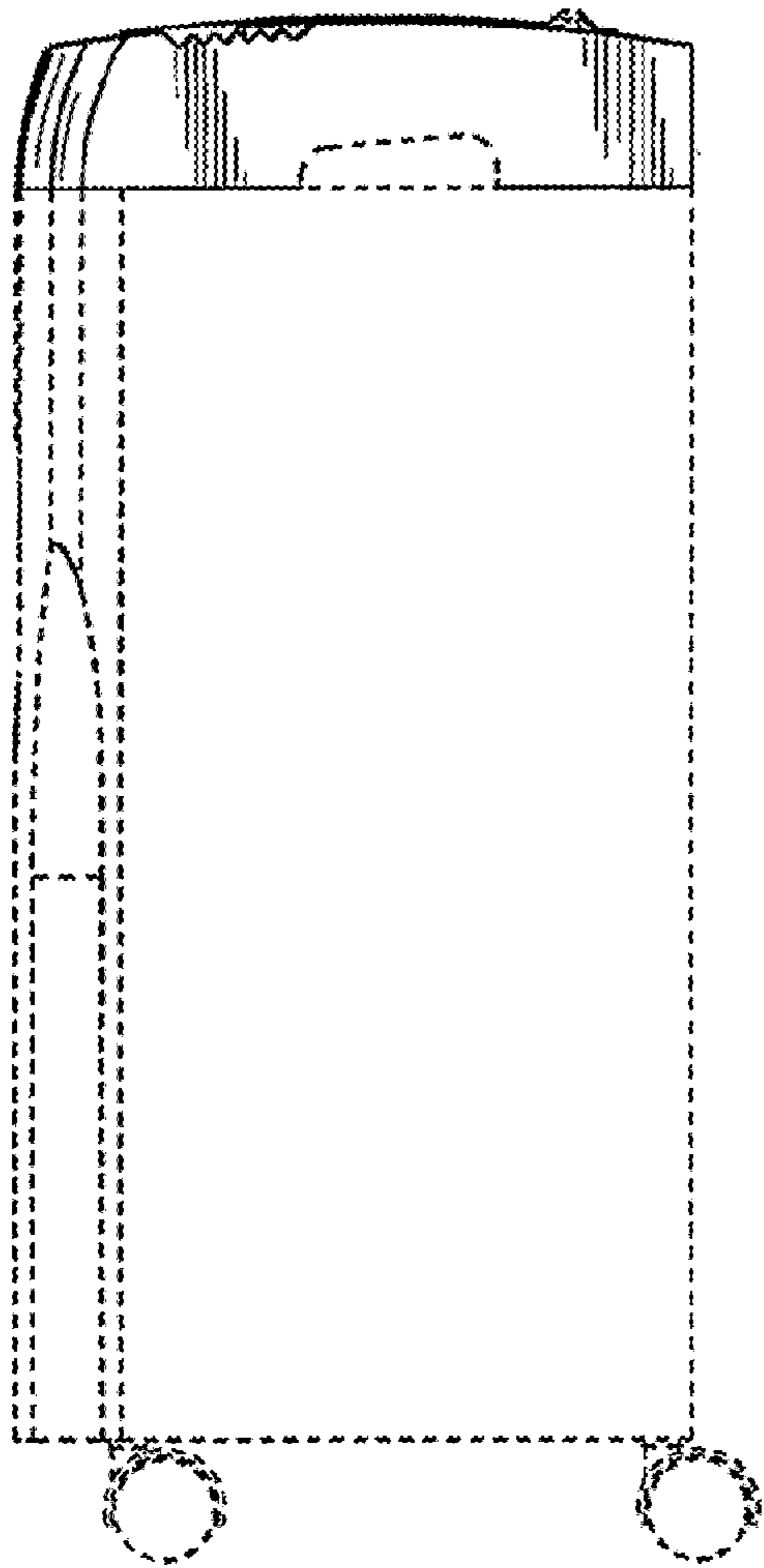


FIG. 6

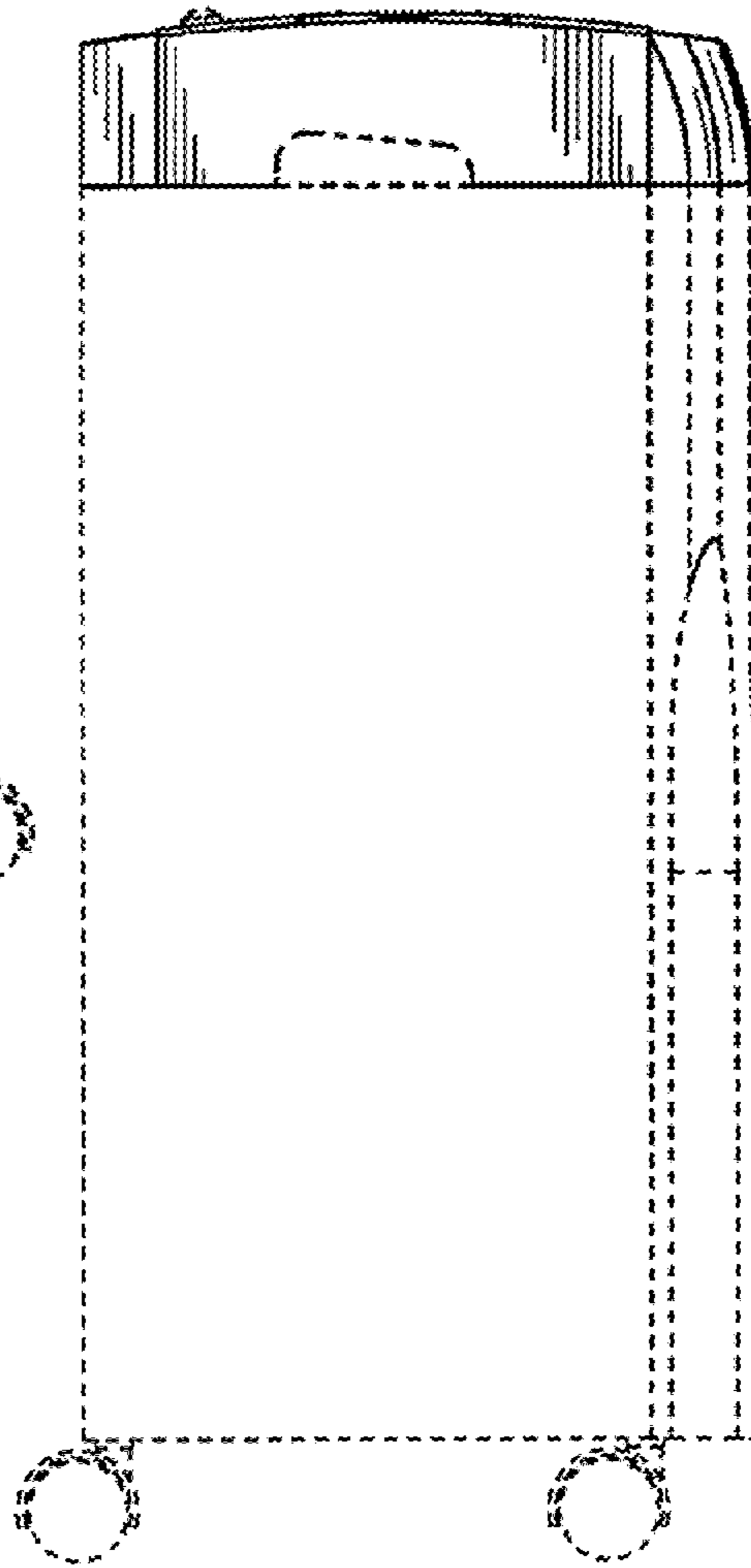


FIG. 7