



US00D532443S

(12) **United States Design Patent** (10) **Patent No.:** **US D532,443 S**
Bai (45) **Date of Patent:** **** Nov. 21, 2006**

(54) **SHREDDER**
(76) Inventor: **Shuhui Bai**, 23, Daili West District,
Putou Village, Dongshi Town, Jinjiang
City, Fujian Province (CN)
(**) Term: **14 Years**
(21) Appl. No.: **29/230,491**
(22) Filed: **May 23, 2005**
(51) **LOC (8) Cl.** **18-04**
(52) **U.S. Cl.** **D18/34.4; D18/34.5**
(58) **Field of Classification Search** D18/34.1-34.9,
D18/99, 50; 83/167, 289, 302, 203, 523,
83/633; 241/169.1, 36, 154, 157, 222, 224,
241/168, 284, 295, 37.5, 100, 236; 385/13;
D8/99; D7/381, 383
See application file for complete search history.

CN 3393336 9/2004
CN 3397934 10/2004
CN 3420172 1/2005
CN 3421634 1/2005
CN 2678767 2/2005
CN 2678769 2/2005
CN 3426563 2/2005
CN 2684930 3/2005
CN 2684931 3/2005
CN 3429861 3/2005
CN 3431502 3/2005
CN 3434332 3/2005
CN 3434333 3/2005
CN 3436018 3/2005
CN 3436019 3/2005
CN 2372104 4/2005
CN 2372283 4/2005
CN 3446250 5/2005
CN 2383583 6/2005
CN 3457322 6/2005
CN 3457323 6/2005
CN 3457325 6/2005
CN 2709007 7/2005
CN 3460796 7/2005

(56) **References Cited**

U.S. PATENT DOCUMENTS

D265,910 S * 8/1982 Hatanaka D18/34.5
D410,246 S * 5/1999 Holderfield D18/34.6
6,079,645 A * 6/2000 Henreckson et al. 241/236
D437,343 S * 2/2001 Ho D18/34.6
D444,809 S * 7/2001 Chang D18/34.4

(Continued)

FOREIGN PATENT DOCUMENTS

CN 3143129 3/2000
CN 3149643 5/2000
CN 3162622 10/2000
CN 2438503 7/2001
CN 3200986 9/2001
CN 2467179 12/2001
CN 3216733 1/2002
CN 3221915 2/2002
CN 3229342 3/2002
CN 2541049 3/2003
CN 2604251 2/2004
CN 2636985 9/2004
CN 2638840 9/2004
CN 3391961 9/2004

Primary Examiner—Charles A. Rademaker
(74) *Attorney, Agent, or Firm*—Garcia-Zamor IP Law; Ruy
M. Garcia-Zamor

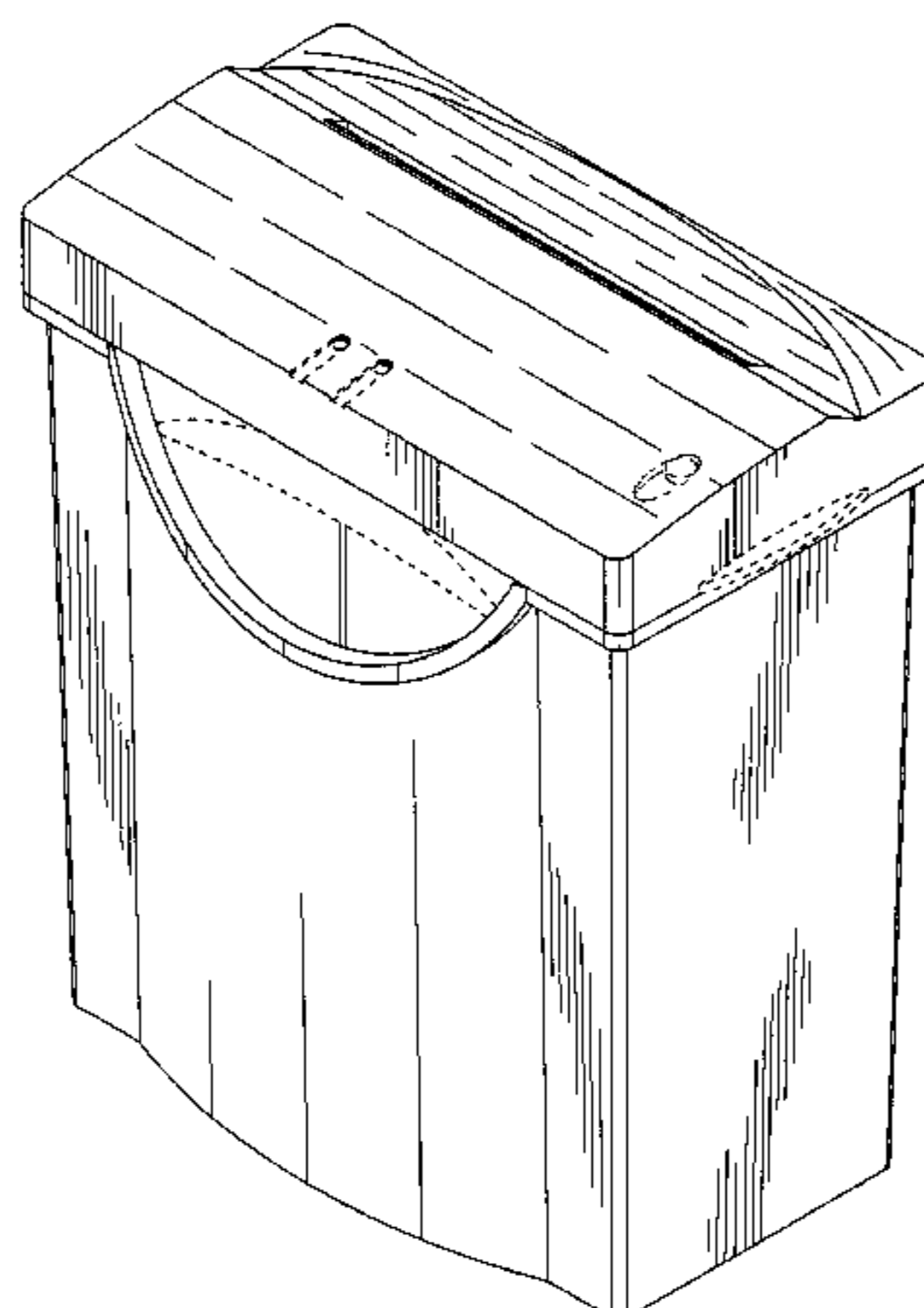
(57) **CLAIM**

The ornamental design for a shredder, as shown and described.

DESCRIPTION

FIG. 1 is a perspective view of a shredder showing my new design;
FIG. 2 is a top plan view thereof;
FIG. 3 is a front elevation thereof;
FIG. 4 is a rear elevation thereof;
FIG. 5 is a bottom plan thereof;
FIG. 6 is a right side elevation thereof; and,
FIG. 7 is a left side elevation thereof.
The broken line showing of environment in the figure drawings is for illustrative purposes only and forms no part of the claimed design.

1 Claim, 4 Drawing Sheets



US D532,443 S

Page 2

U.S. PATENT DOCUMENTS

D446,543 S *	8/2001	Ho	D18/34.6	6,588,616 B1	7/2003	Ho	
D449,850 S *	10/2001	Ho	D18/34.6	D498,252 S	11/2004	Lo	
D454,907 S *	3/2002	Ho	D18/34.6	D498,253 S	11/2004	Lo	
D455,170 S	4/2002	Ho			D502,729 S *	3/2005	Lo D18/34.5
D455,171 S *	4/2002	Ho	D18/34.6	D502,960 S	3/2005	Lo	
6,390,398 B1 *	5/2002	Wu Huang	241/236	D502,961 S *	3/2005	Lo D18/34.6
6,513,740 B1	2/2003	Ho			6,964,386 B1 *	11/2005	Ho 241/236

* cited by examiner

FIG. 1

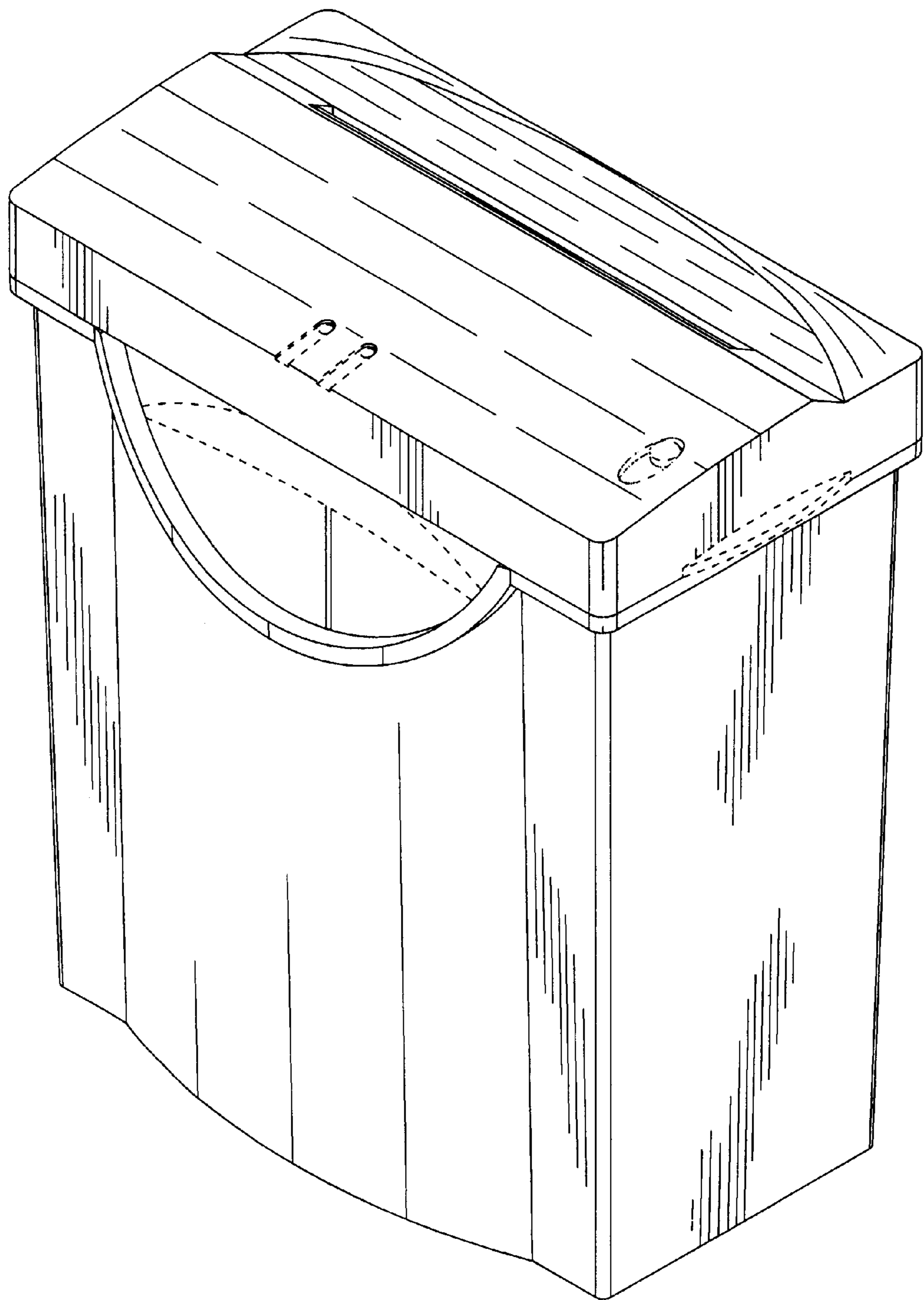


FIG. 2

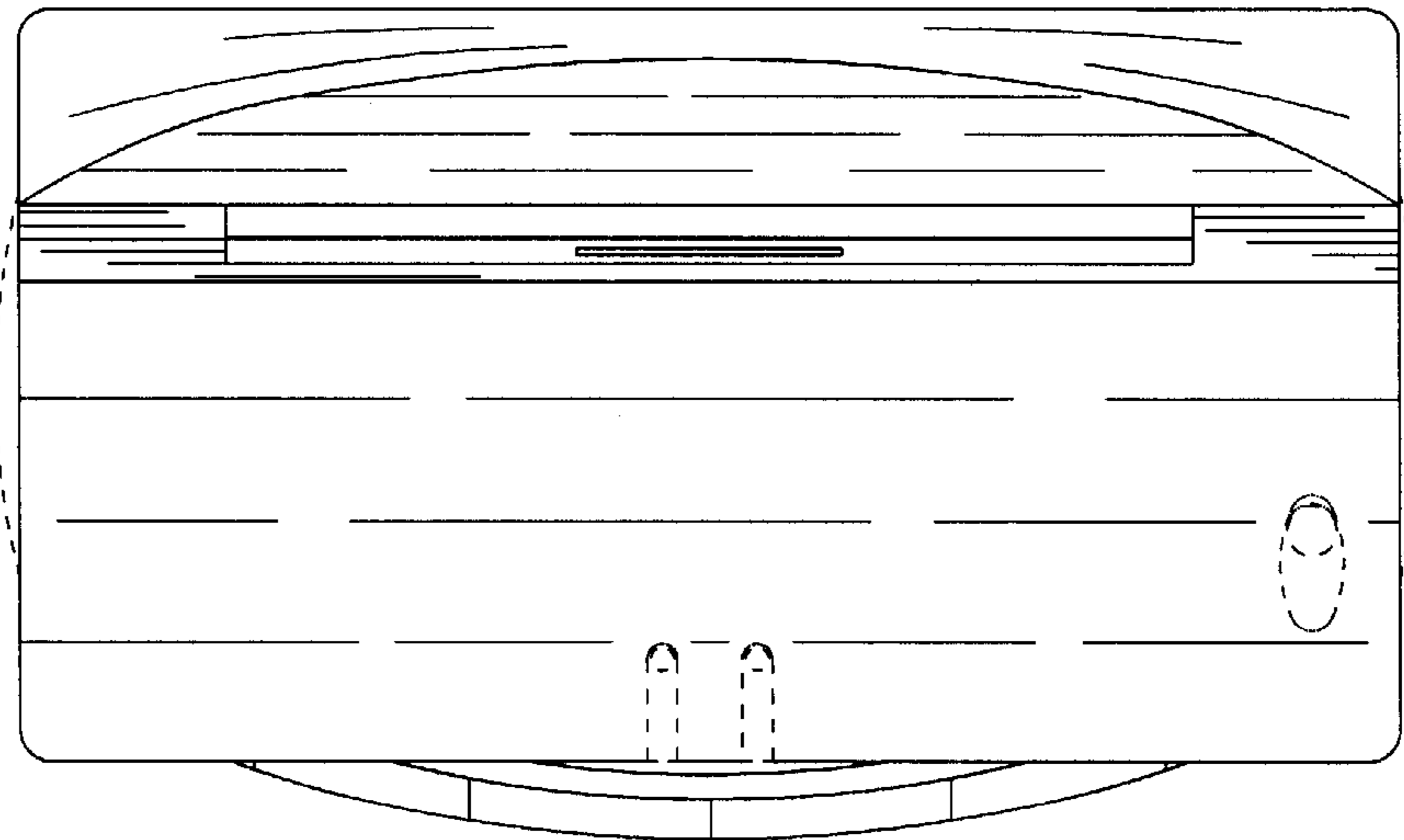


FIG. 3

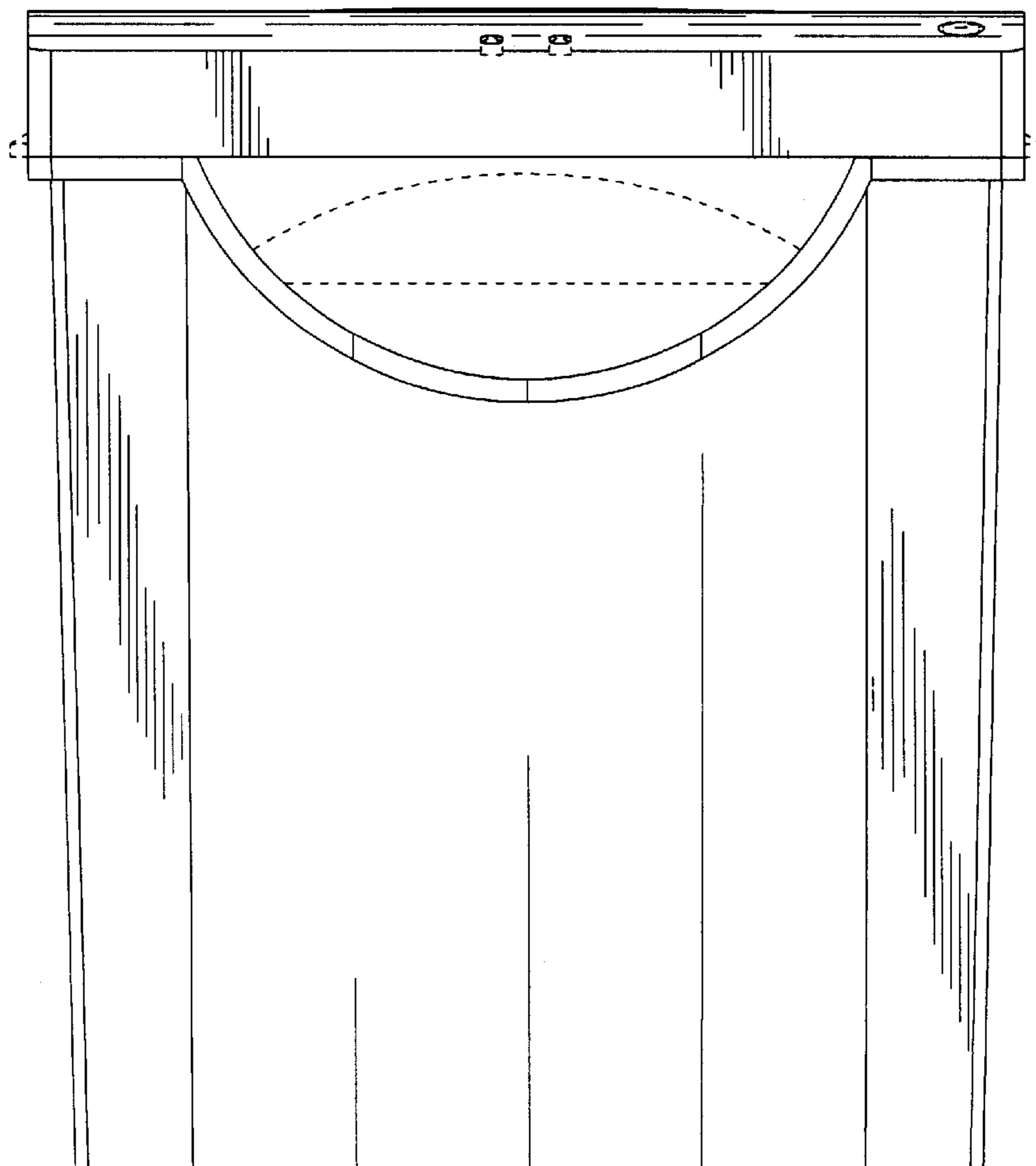


FIG. 4

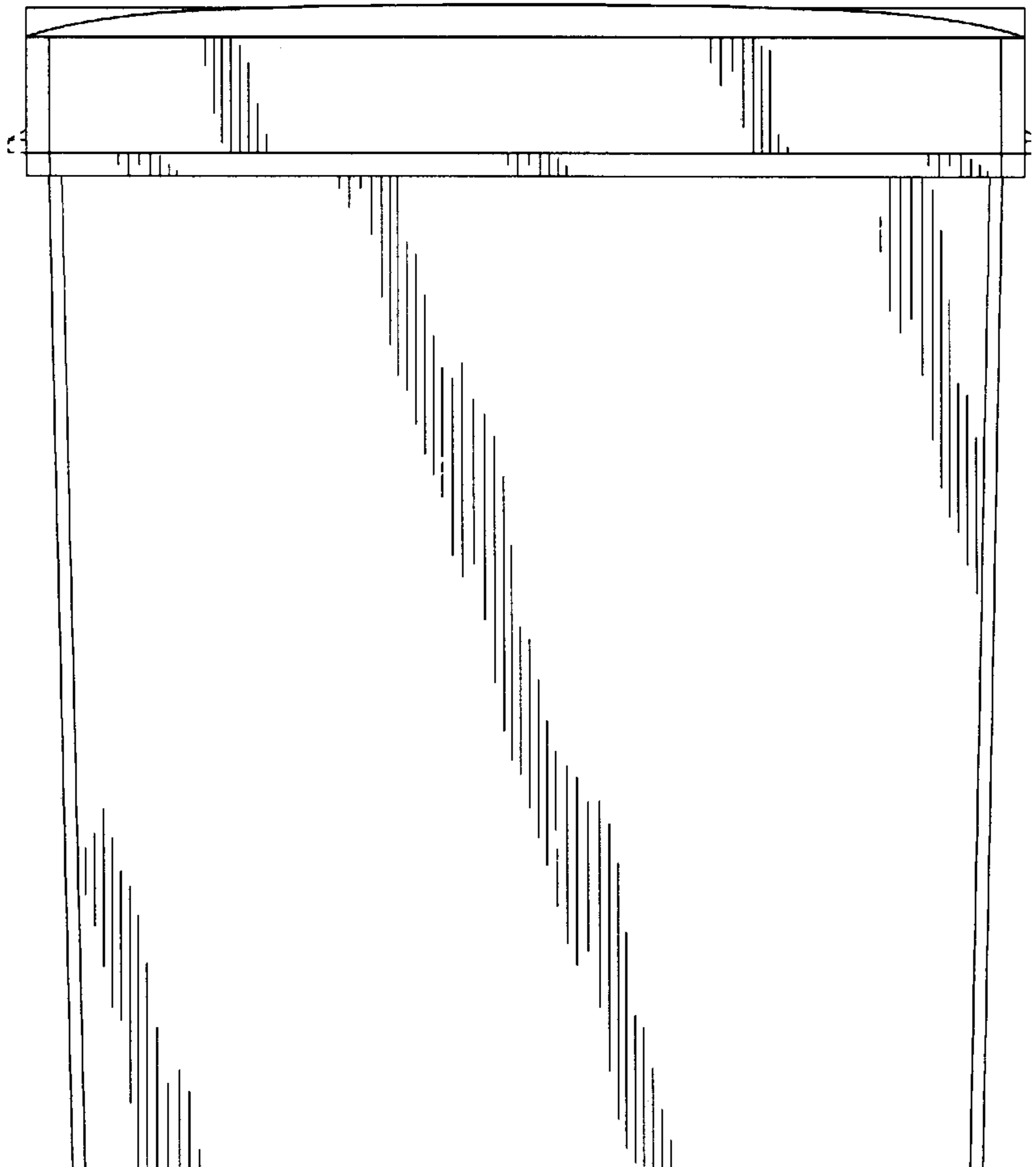
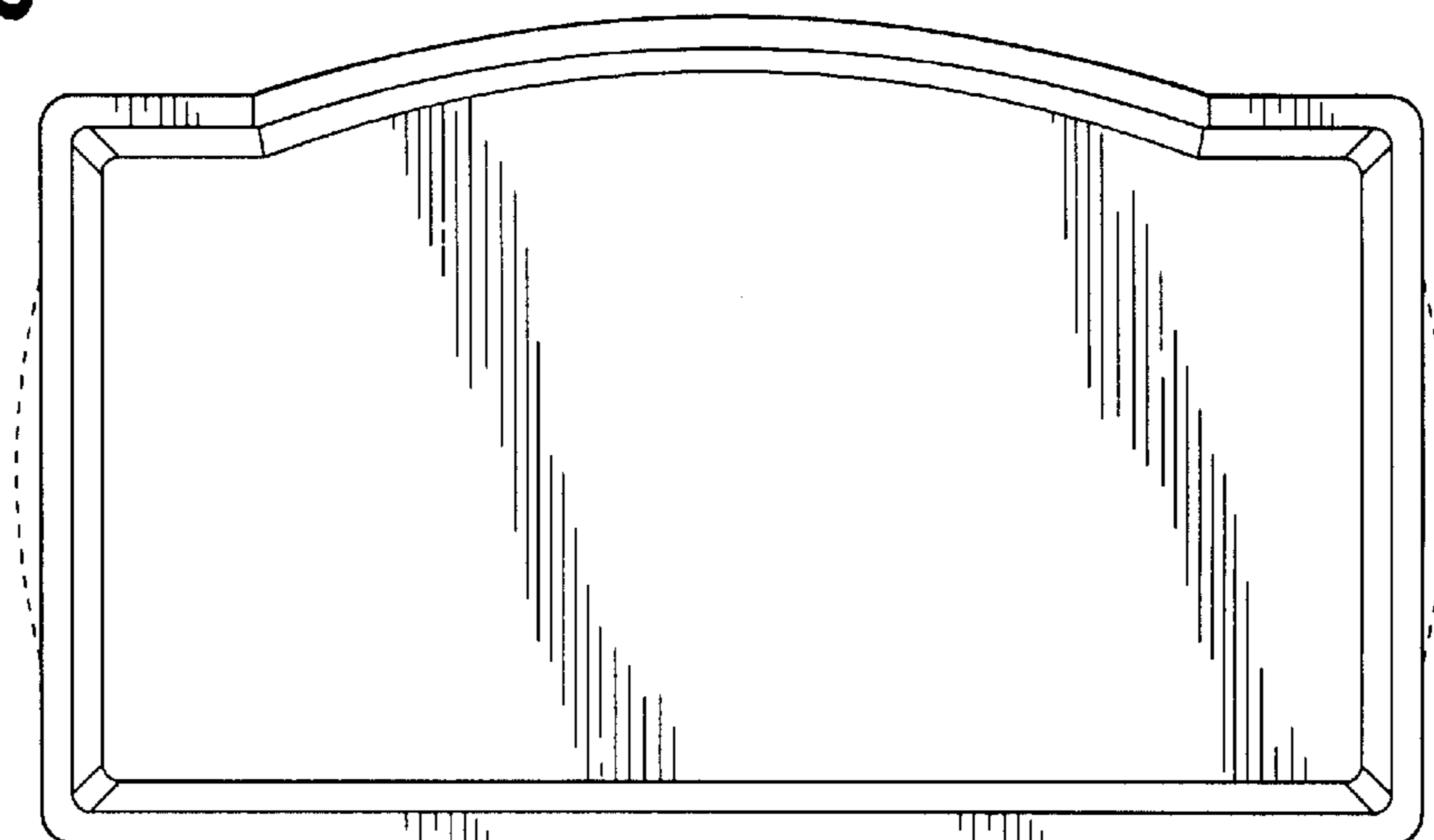


FIG. 5



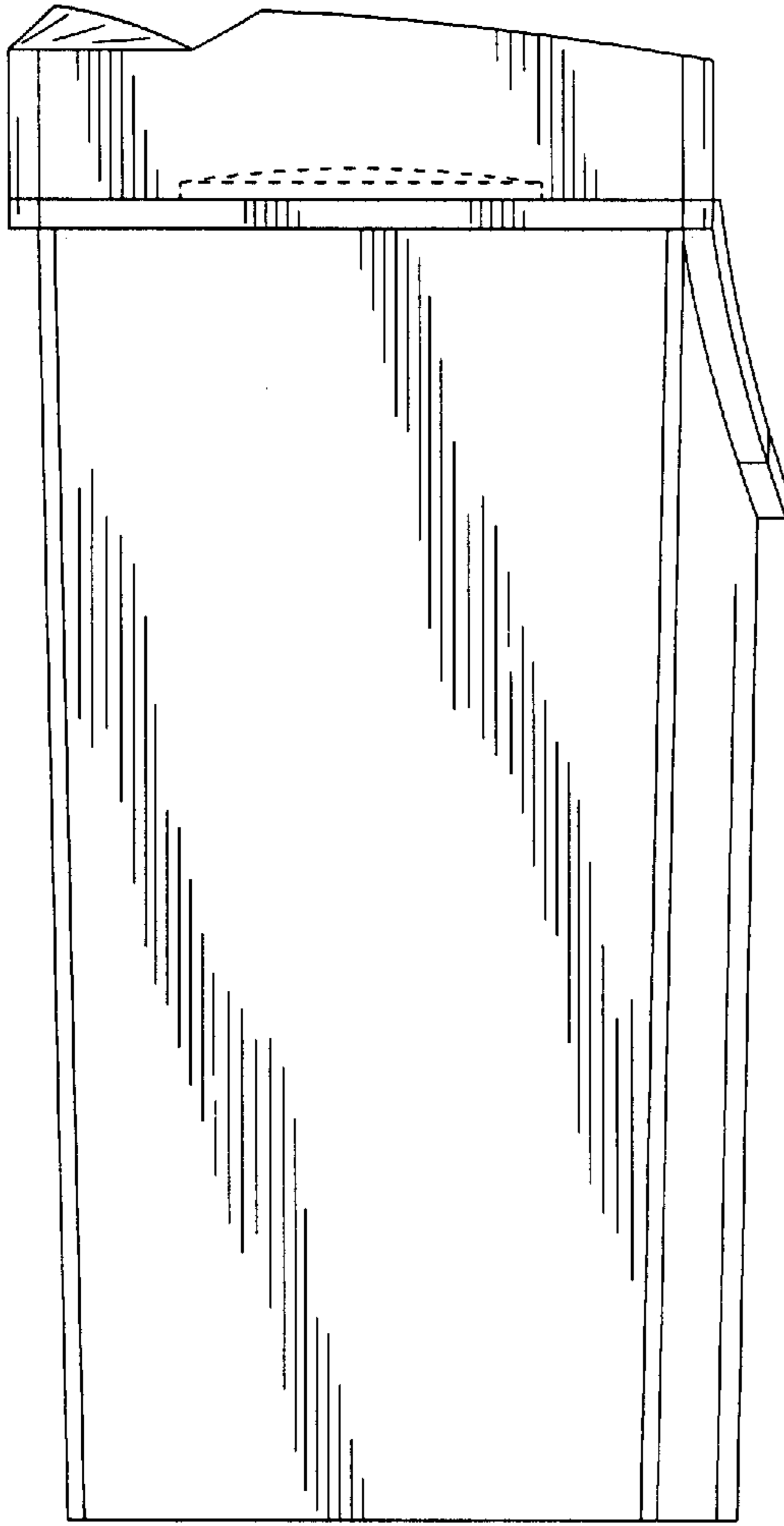


FIG. 6

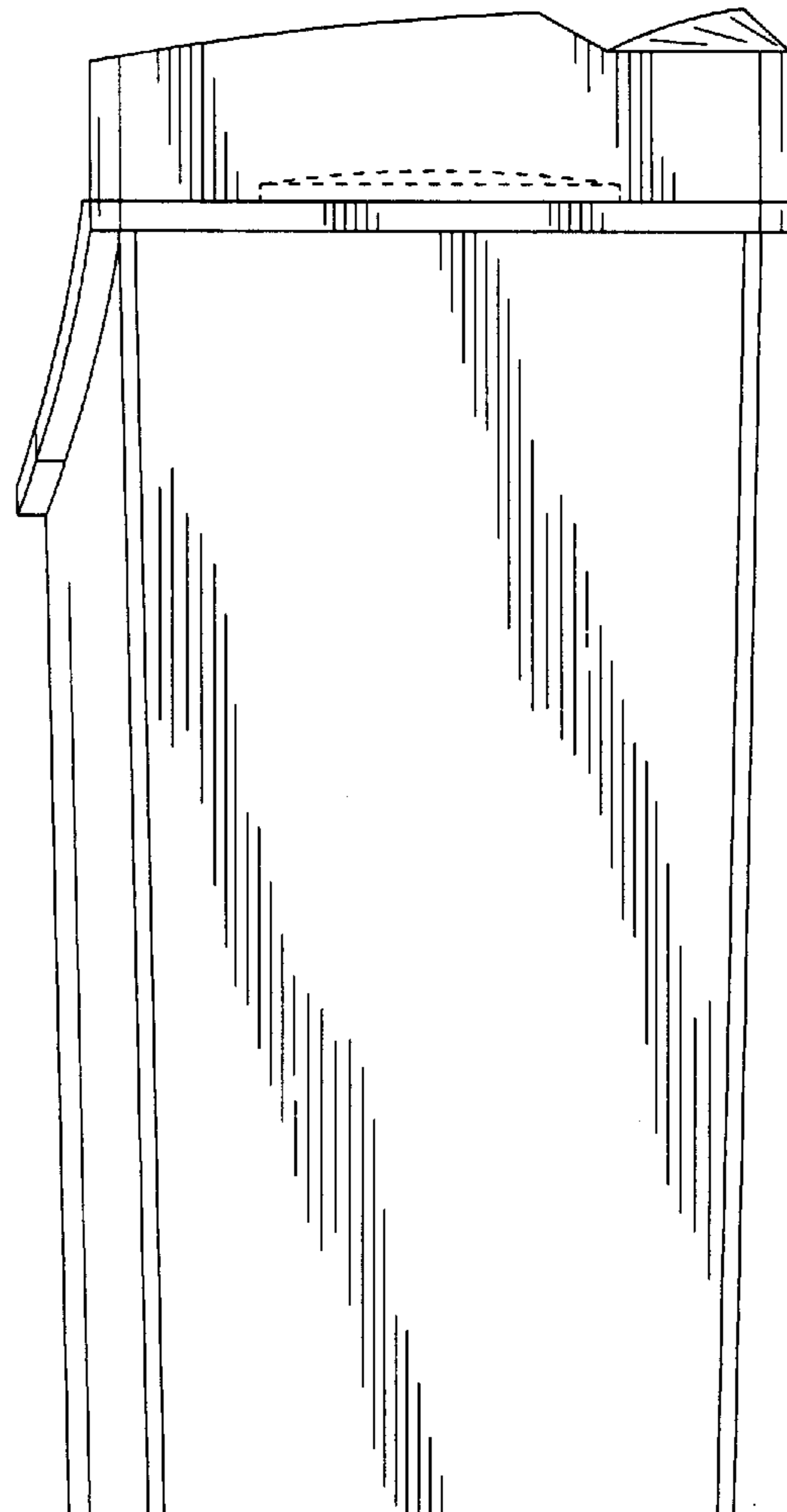


FIG. 7

UNITED STATES PATENT AND TRADEMARK OFFICE
CERTIFICATE OF CORRECTION

PATENT NO. : Des. 532,443 S
APPLICATION NO. : 29/230491
DATED : November 21, 2006
INVENTOR(S) : Shuhui Bai

Page 1 of 6

It is certified that error appears in the above-identified patent and that said Letters Patent is hereby corrected as shown below:

Delete the title page and substitute therefore the attached title page.

Delete Drawing Sheets 1-4 and substitute therefore the attached Drawing Sheets 1-4.

Signed and Sealed this

Second Day of December, 2008

A handwritten signature in black ink that reads "Jon W. Dudas". The signature is written in a cursive style with a large, looped initial "J".

JON W. DUDAS

Director of the United States Patent and Trademark Office

(12) **United States Design Patent** (30) **Patent No.:** **US D532,443 S**
Bai (45) **Date of Patent:** **** Nov. 21, 2006**

(54) **SHREDDER** CN 3303336 9/2004
 CN 3397934 10/2004
 (76) Inventor: **Shuhui Bai, 23, Daili West District,** CN 3420172 1/2005
Putou Village, Dongshi Town, Jinjiang CN 3421634 1/2005
City, Fujian Province (CN) CN 2678767 2/2005
 CN 2678769 2/2005
 (**) Term: **14 Years** CN 3426563 2/2005
 CN 2684930 3/2005
 (21) Appl. No.: **29/230,491** CN 2684931 3/2005
 (22) Filed: **May 23, 2005** CN 3429861 3/2005
 CN 3431502 3/2005
 (51) **LOC (8) Cl.** **18-04** CN 3434332 3/2005
 (52) **U.S. Cl.** **D18/34.4; D18/34.5** CN 3434333 3/2005
 (58) **Field of Classification Search** **D18/34.1-34.9,** CN 3436018 3/2005
1318/99, 50; 83/167, 289, 302, 203, 523, CN 3436019 3/2005
83/633; 241/169.1, 36, 154, 157, 222, 224, CN 2372104 4/2005
241/168, 284, 295, 37.5, 100, 236; 385/13; CN 2372283 4/2005
D8/99; D7/381, 383 CN 3446250 5/2005
See application file for complete search history. CN 2383583 6/2005
 CN 3457322 6/2005
 CN 3457323 6/2005
 CN 3457325 6/2005
 CN 2709007 7/2005
 CN 3460796 7/2005

(56) **References Cited**

U.S. PATENT DOCUMENTS

D265,910 S * 8/1982 Hatanaka D18/34.5
 D410,246 S * 5/1999 Holderfield D18/34.6
 6,079,645 A * 6/2000 Henreckson et al. 241/236
 D437,343 S * 2/2001 Ho D18/34.6
 D444,809 S * 7/2001 Chang D18/34.4

(Continued)

FOREIGN PATENT DOCUMENTS

CN 3143129 3/2000
 CN 3149643 5/2000
 CN 3162622 10/2000
 CN 2438503 7/2001
 CN 3200986 9/2001
 CN 2467179 12/2001
 CN 3216733 1/2002
 CN 3221915 2/2002
 CN 3229342 3/2002
 CN 2541049 3/2003
 CN 2604251 2/2004
 CN 2636985 9/2004
 CN 2638840 9/2004
 CN 3391961 9/2004

Primary Examiner Charles A. Rademaker

(74) *Attorney, Agent, or Firm*—Garcia-Zamor IP Law; Ruy M. Garcia-Zamor

(57) **CLAIM**

The ornamental design for a shredder, as shown and described.

DESCRIPTION

FIG. 1 is a perspective view of a shredder showing my new design;
 FIG. 2 is a top plan view thereof;
 FIG. 3 is a front elevation thereof;
 FIG. 4 is a rear elevation thereof;
 FIG. 5 is a bottom plan thereof;
 FIG. 6 is a right side elevation thereof, and,
 FIG. 7 is a left side elevation thereof.
 The broken line showing of environment in the figure drawings is for illustrative purposes only and forms no part of the claimed design.

1 Claim, 4 Drawing Sheets

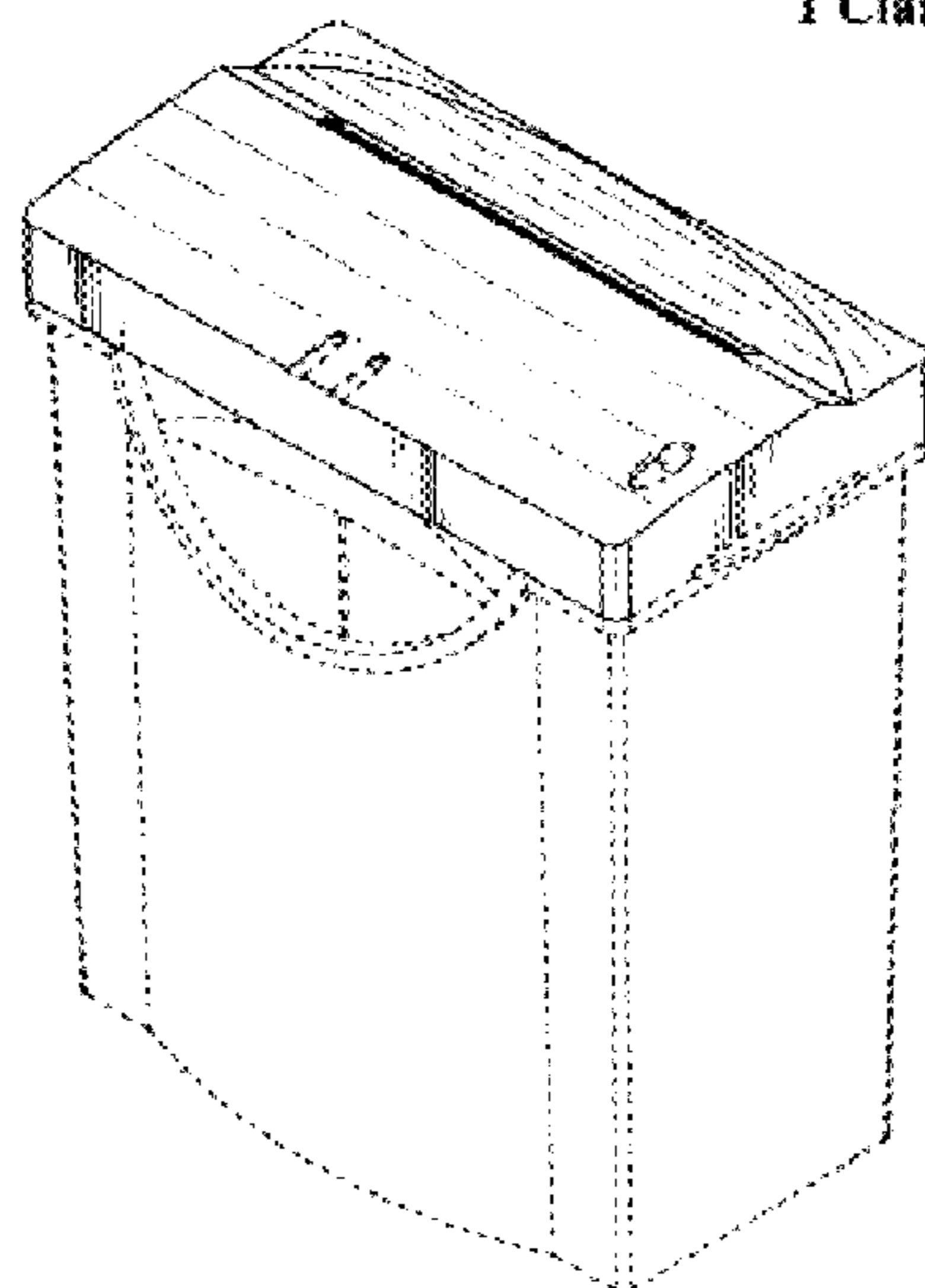


FIG. 1

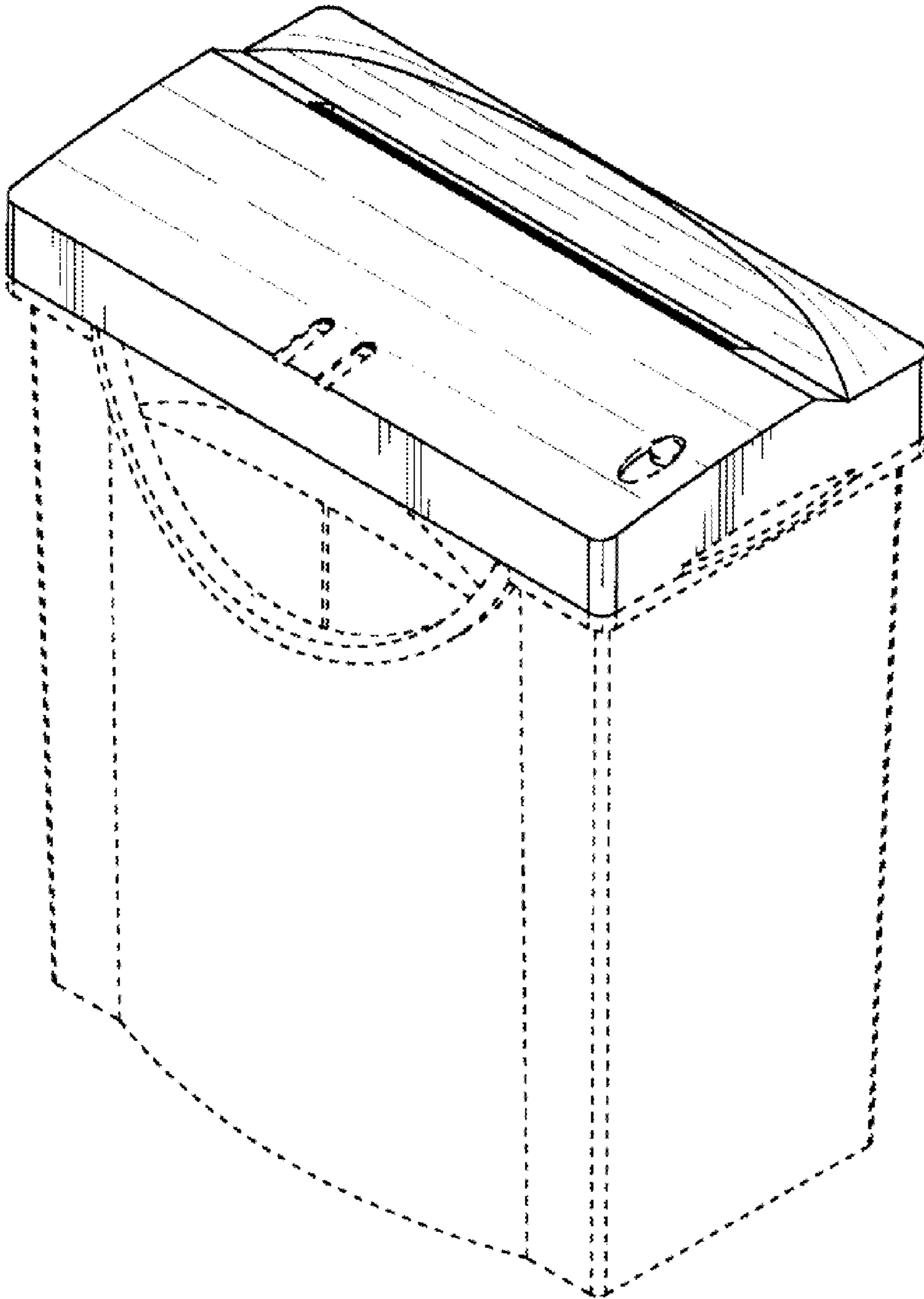


FIG. 2

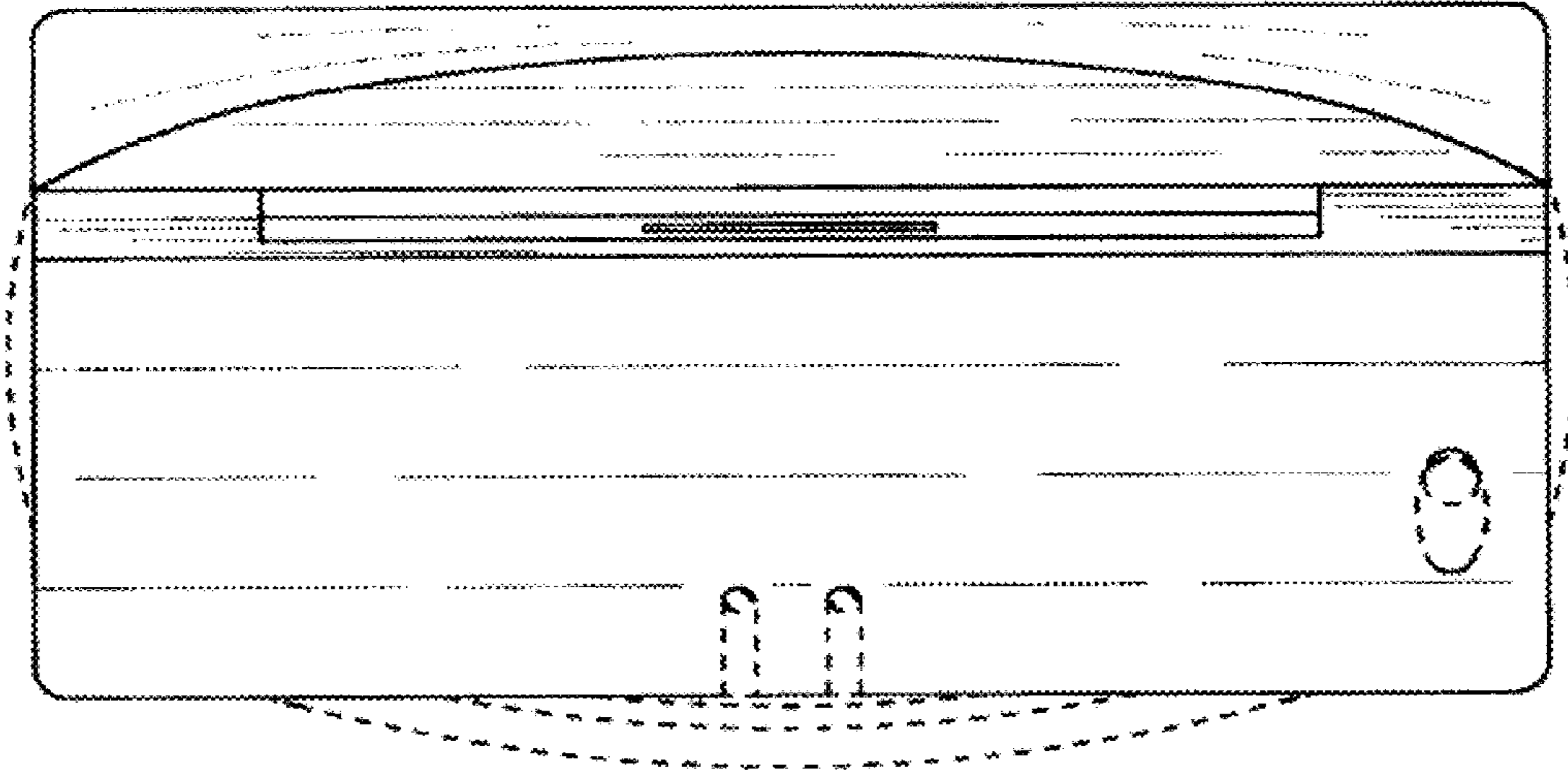


FIG. 3

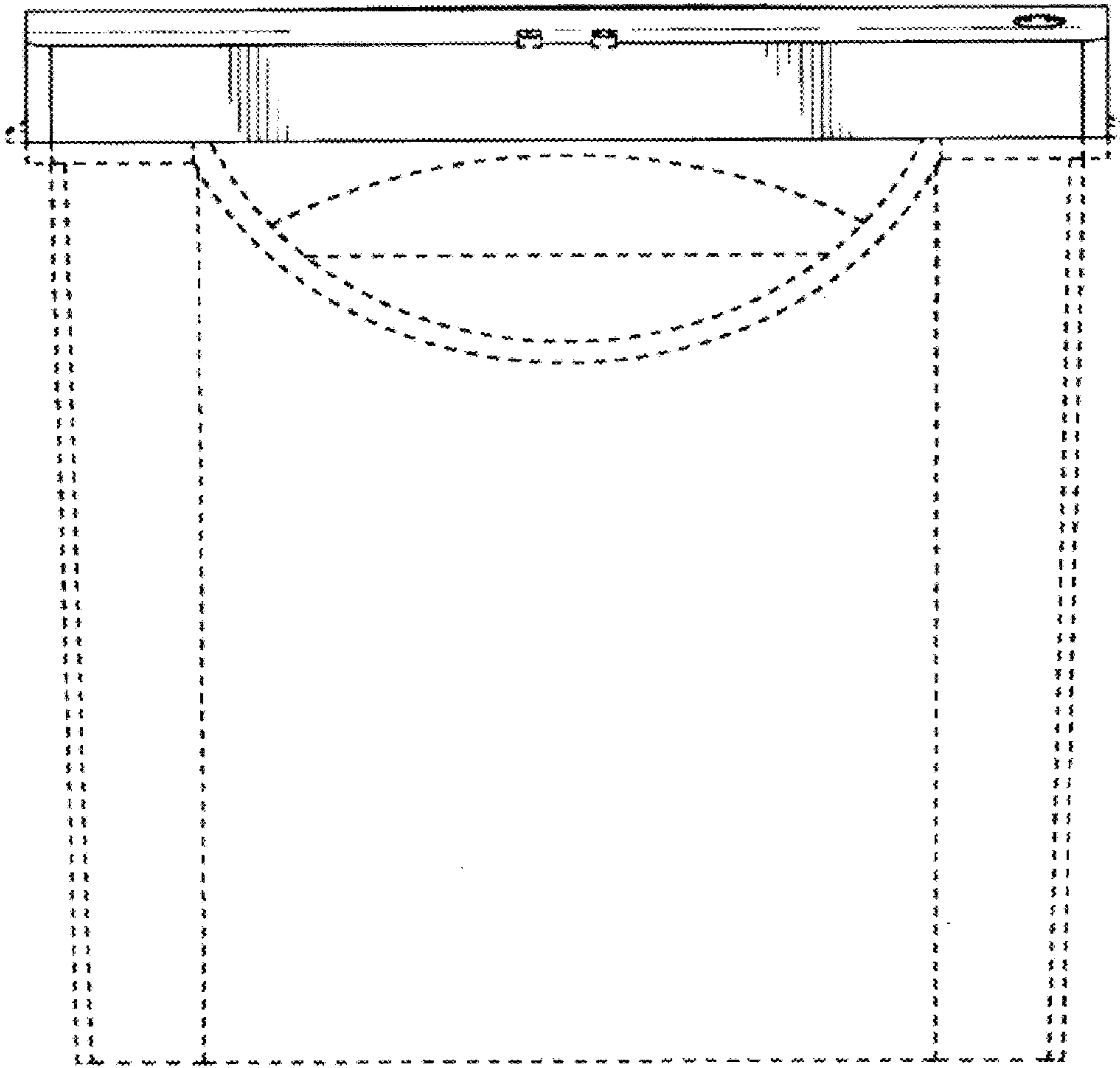


FIG. 4

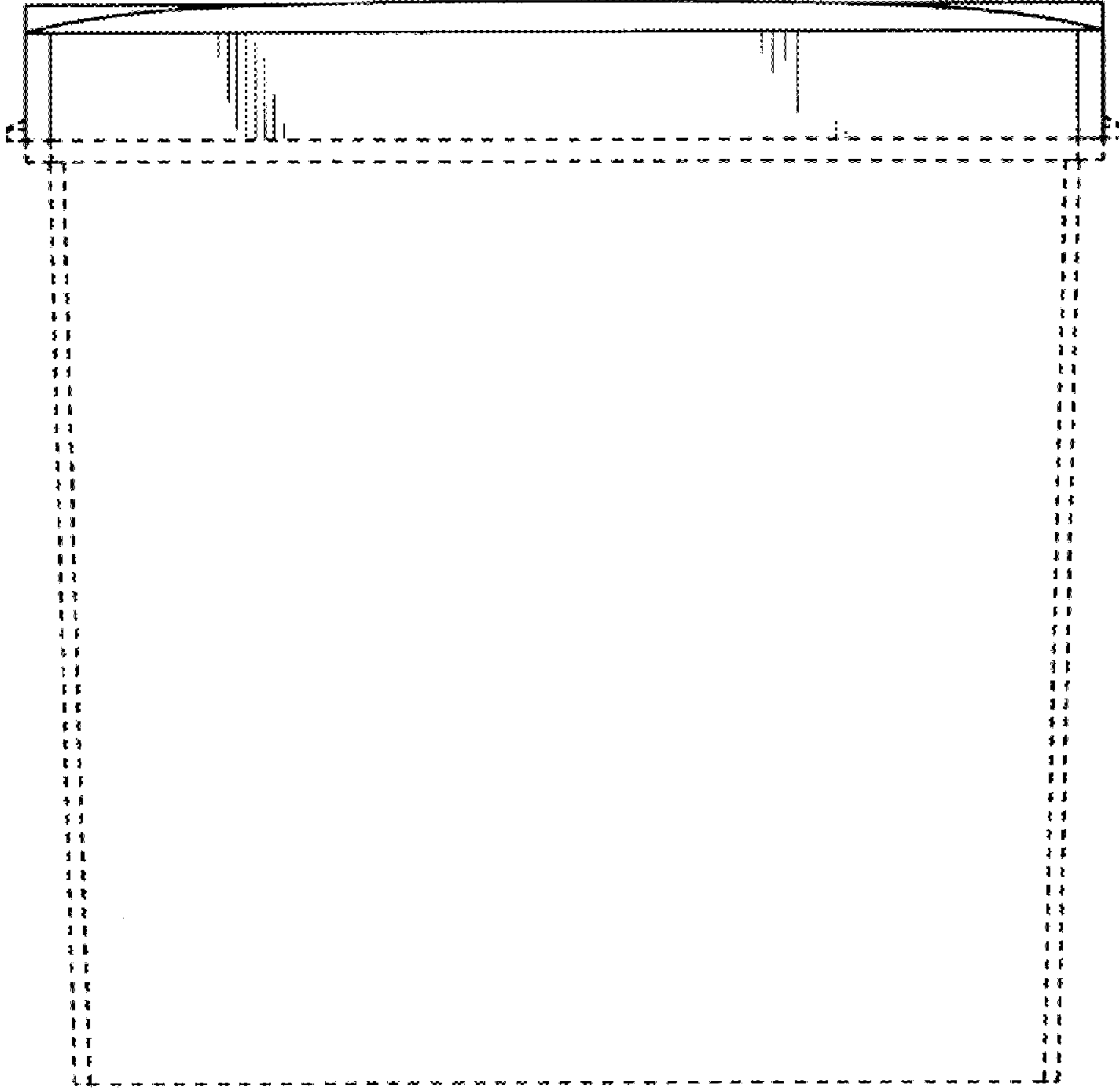
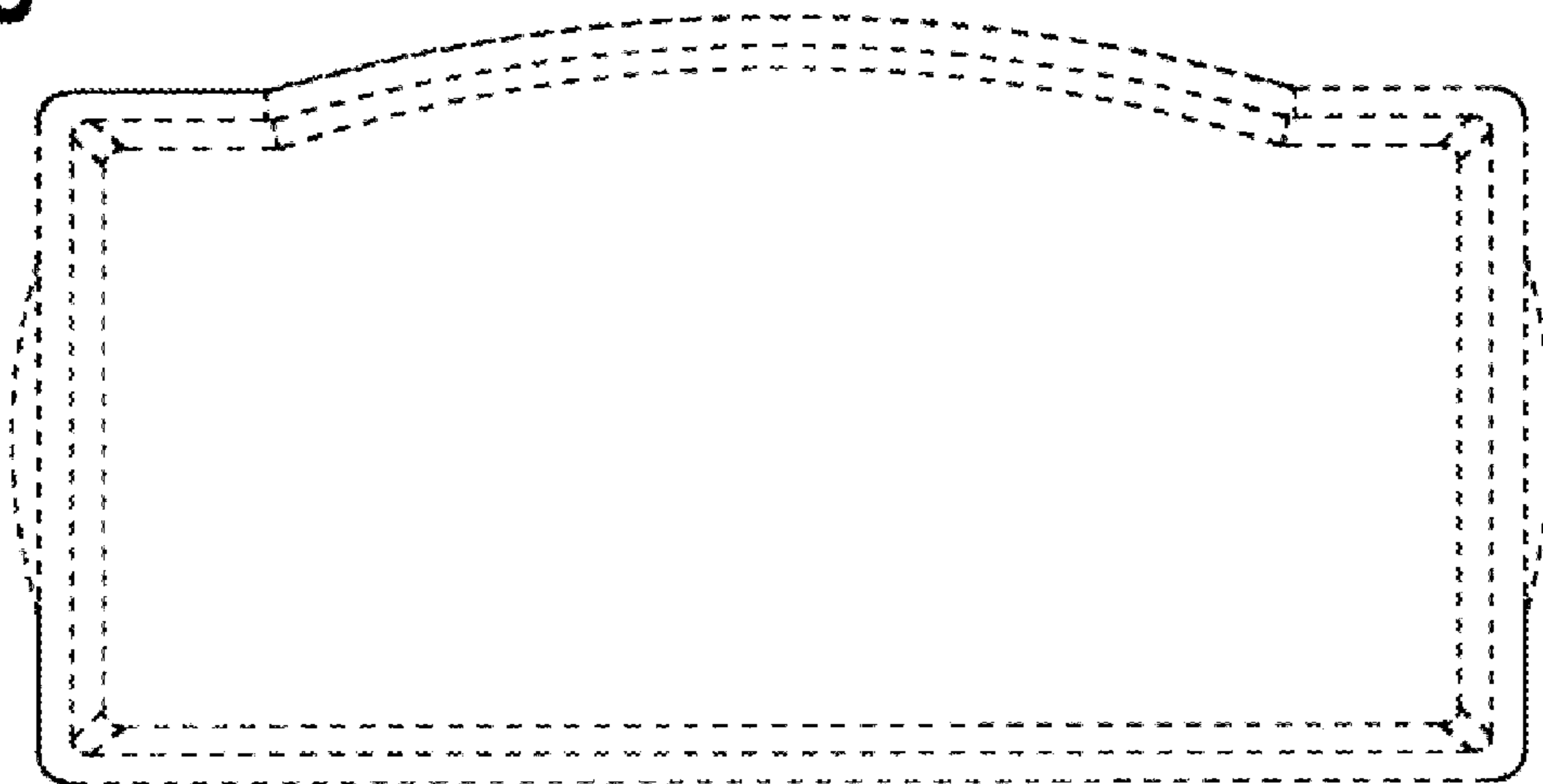


FIG. 5



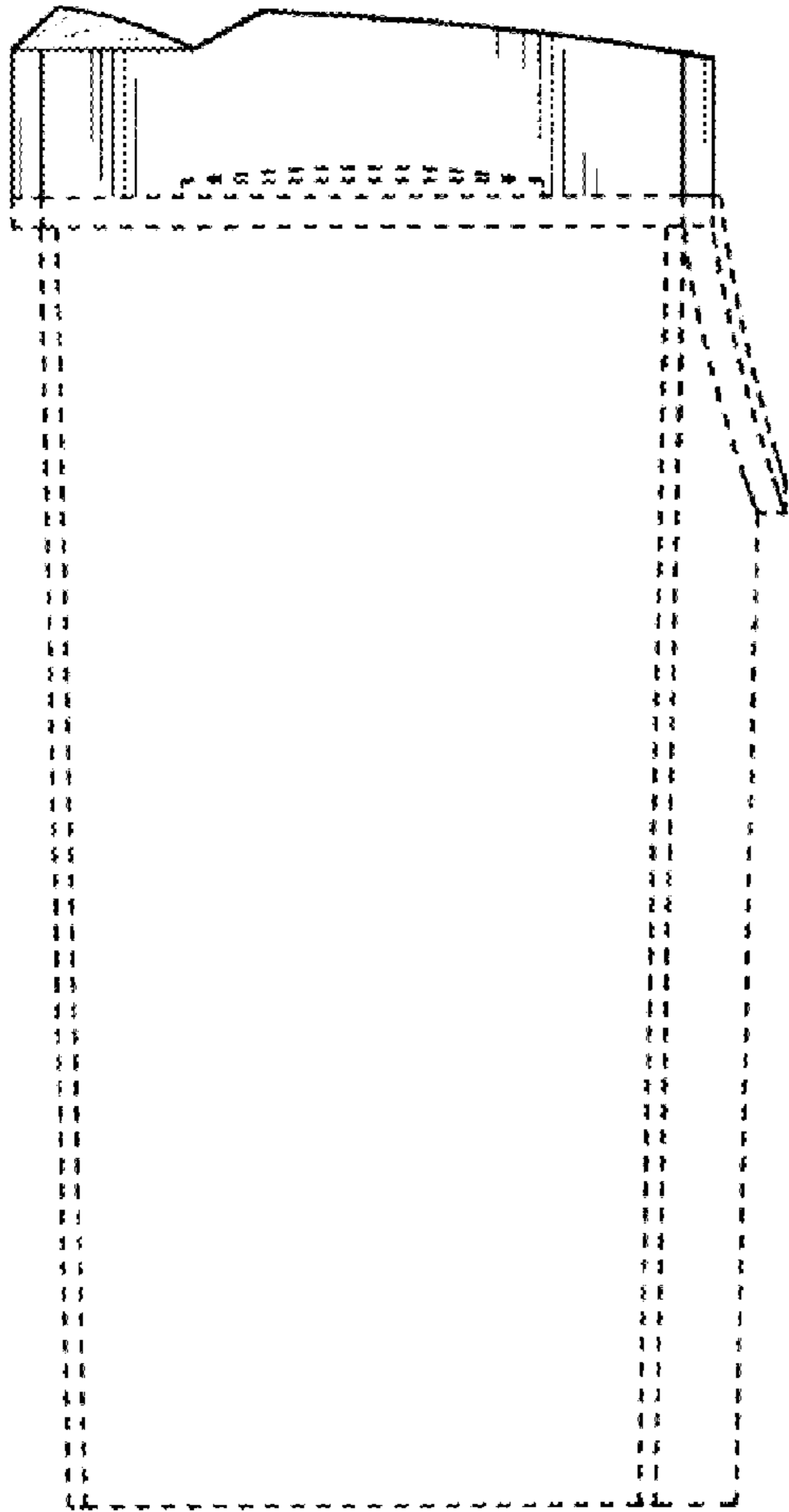


FIG. 6

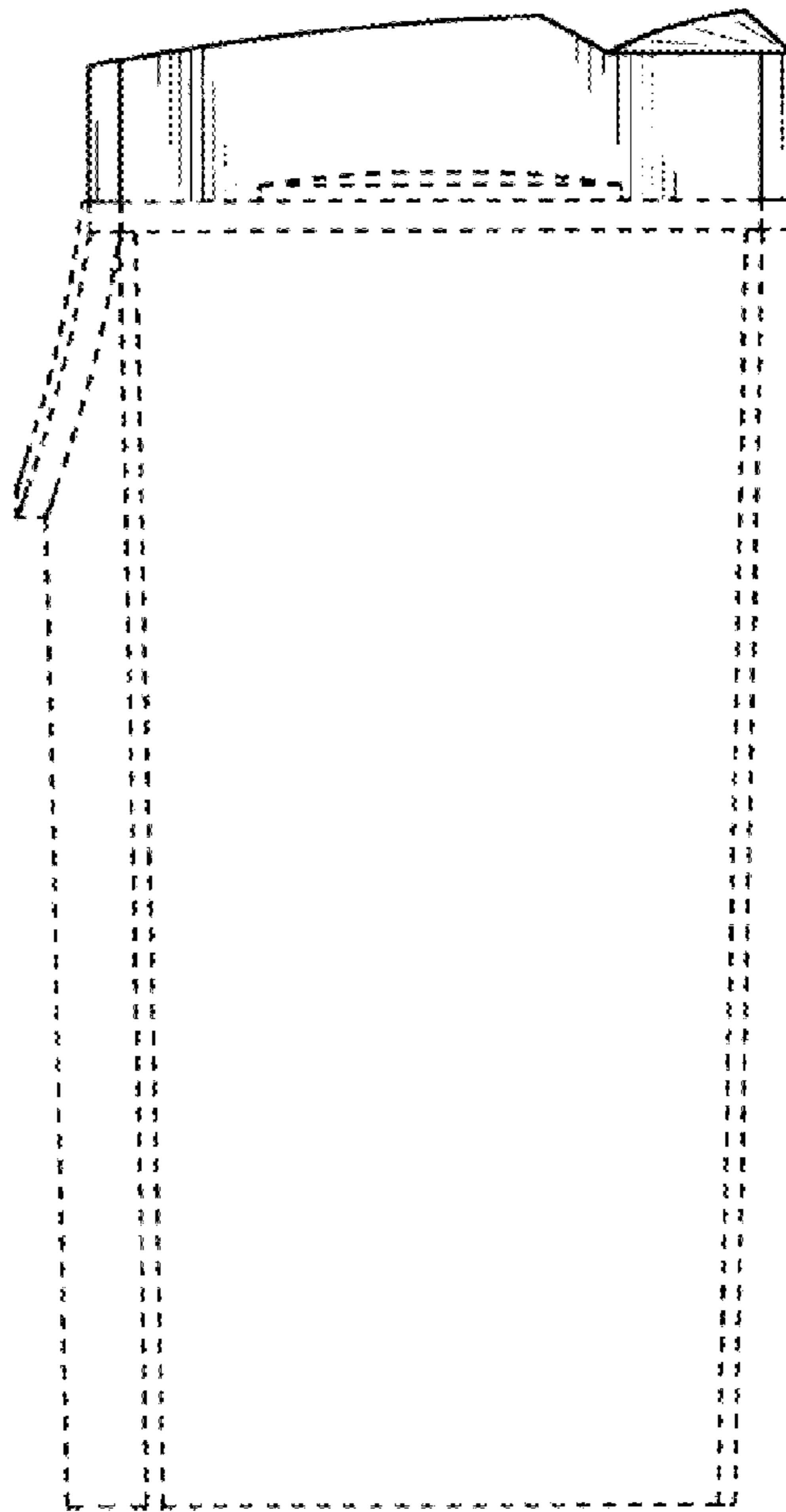


FIG. 7