



US00D532442S

(12) **United States Design Patent**  
**Yamamoto et al.**

(10) **Patent No.:** **US D532,442 S**

(45) **Date of Patent:** **\*\* Nov. 21, 2006**

(54) **INK RIBBON CARTRIDGE**

(75) Inventors: **Hideki Yamamoto**, Nagoya (JP);  
**Yasutake Yamaguchi**, Chiryu (JP)

(73) Assignee: **Brother Industries, Ltd.**, Nagoya (JP)

(\*\*) Term: **14 Years**

(21) Appl. No.: **29/218,332**

(22) Filed: **Dec. 1, 2004**

(30) **Foreign Application Priority Data**

Jun. 25, 2004 (JP) ..... 2004-019143

(51) **LOC (8) Cl.** ..... **18-01**

(52) **U.S. Cl.** ..... **D18/12**

(58) **Field of Classification Search** ..... D18/12,  
D18/36, 40, 43, 44, 56; D14/462, 469-471;  
222/DIG. 1; 347/197, 222; 399/24-28, 107-112,  
399/119, 121, 122, 222-224; 400/207  
See application file for complete search history.

(56) **References Cited**

**U.S. PATENT DOCUMENTS**

D213,228 S \* 1/1969 Jones ..... D18/36  
D286,044 S \* 10/1986 Kando ..... D18/12  
5,822,646 A \* 10/1998 Kinoshita et al. .... 399/24  
5,926,666 A \* 7/1999 Miura et al. .... 399/25  
6,055,406 A \* 4/2000 Kawai et al. .... 399/111  
D425,545 S 5/2000 Ishida

D442,211 S 5/2001 Hayashi et al.  
D453,179 S \* 1/2002 Neri et al. .... D18/12  
6,381,430 B1 \* 4/2002 Yokomori et al. .... 399/119  
D458,295 S \* 6/2002 Neri et al. .... D18/12  
D458,956 S \* 6/2002 Neri et al. .... D18/12  
6,623,193 B1 \* 9/2003 Holland ..... 400/207  
6,827,510 B1 \* 12/2004 Hayashi ..... D18/12  
D504,907 S \* 5/2005 Neri ..... D18/12  
D505,445 S \* 5/2005 Neri ..... D18/12  
D514,153 S \* 1/2006 Tu ..... D18/12  
D521,052 S \* 5/2006 Tu ..... D18/12  
D523,062 S \* 6/2006 Tu ..... D18/12  
2005/0129444 A1 \* 6/2005 Igi et al. .... 400/207

\* cited by examiner

*Primary Examiner*—Robert M. Spear

*Assistant Examiner*—Garth Rademaker

(74) *Attorney, Agent, or Firm*—Oliff & Berridge, PLC

(57) **CLAIM**

The ornamental design for an ink ribbon cartridge, as shown and described.

**DESCRIPTION**

FIG. 1 is a perspective view of an ink ribbon cartridge;

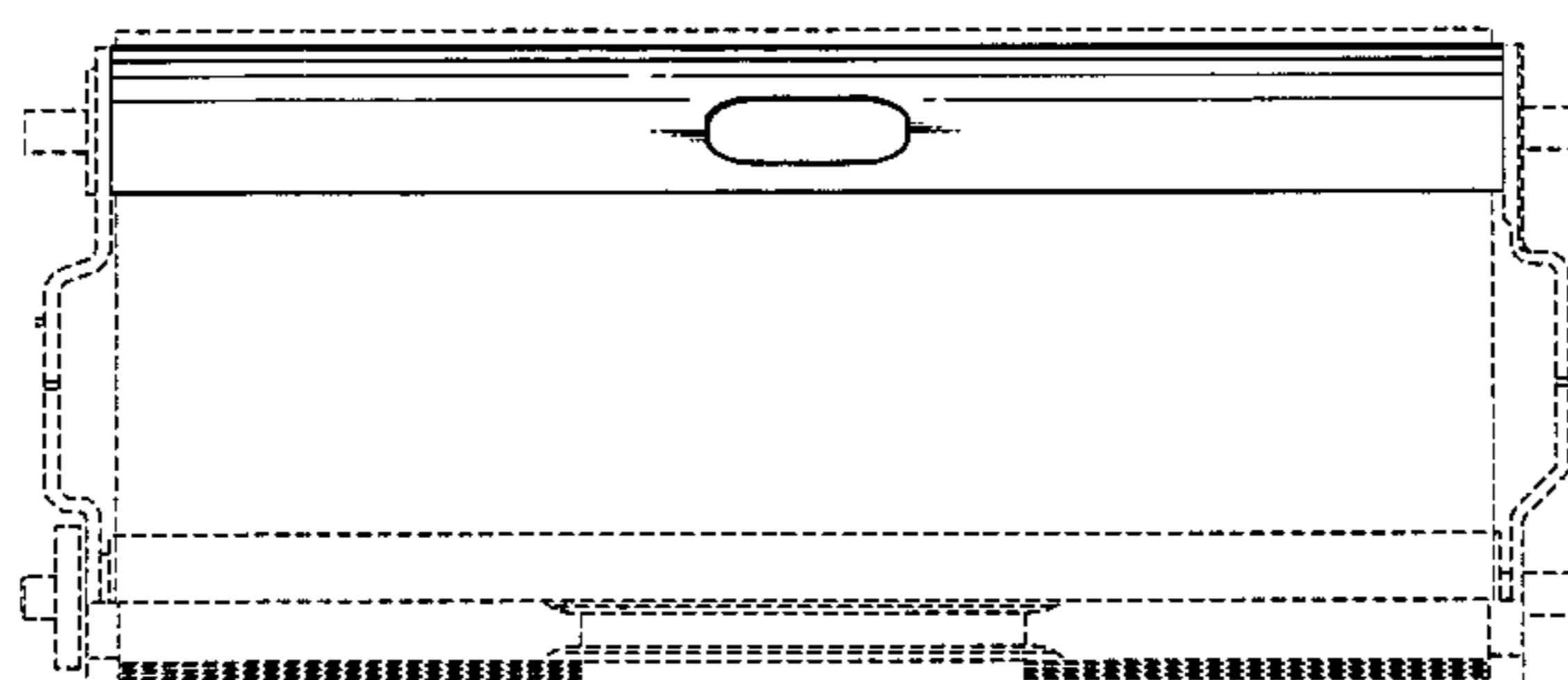
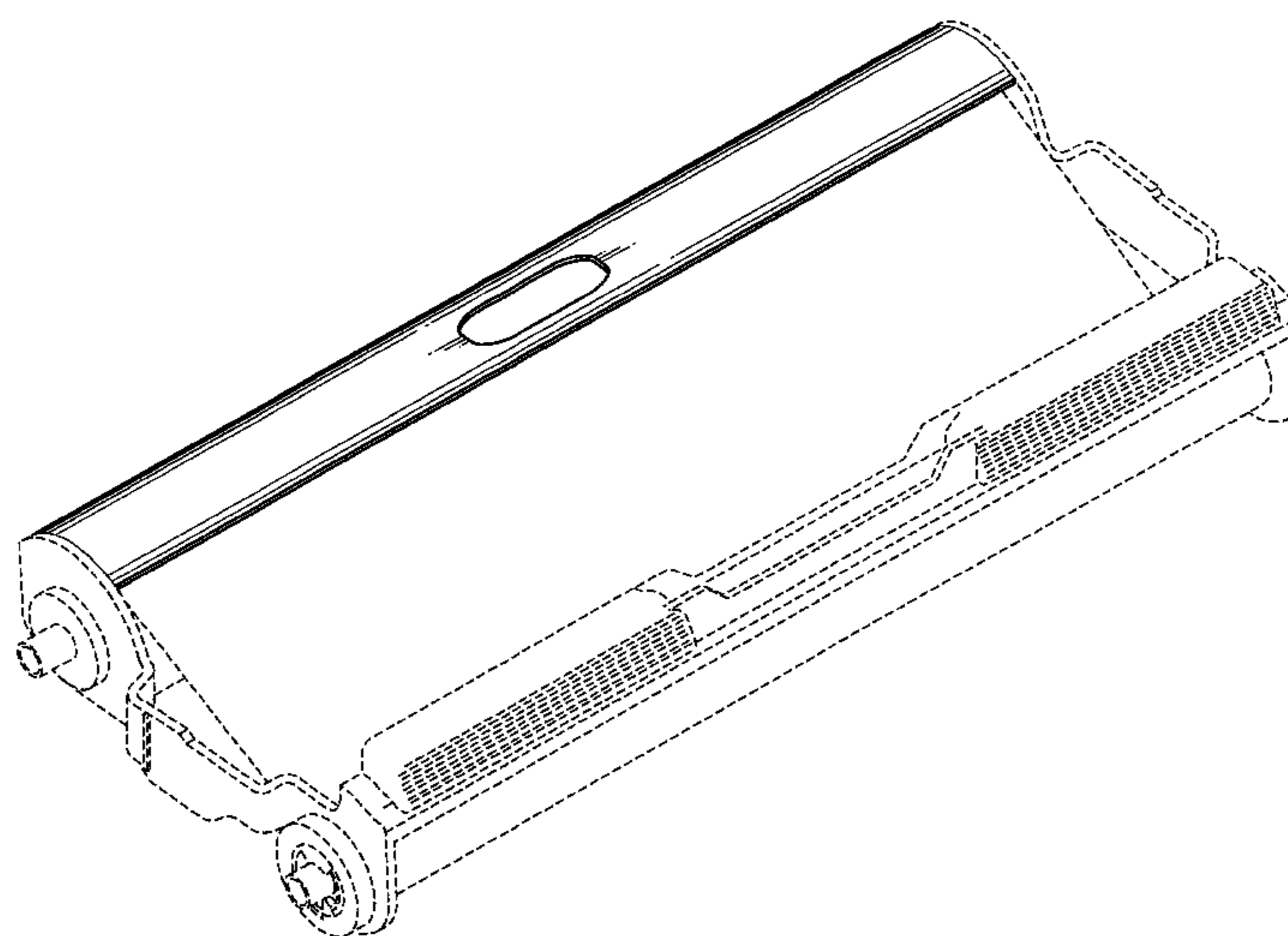
FIG. 2 is a top view thereof;

FIG. 3 is a front view thereof; and,

FIG. 4 is a rear view thereof.

The broken line showing is for illustrative purposes only and forms no part of the claimed design.

**1 Claim, 2 Drawing Sheets**



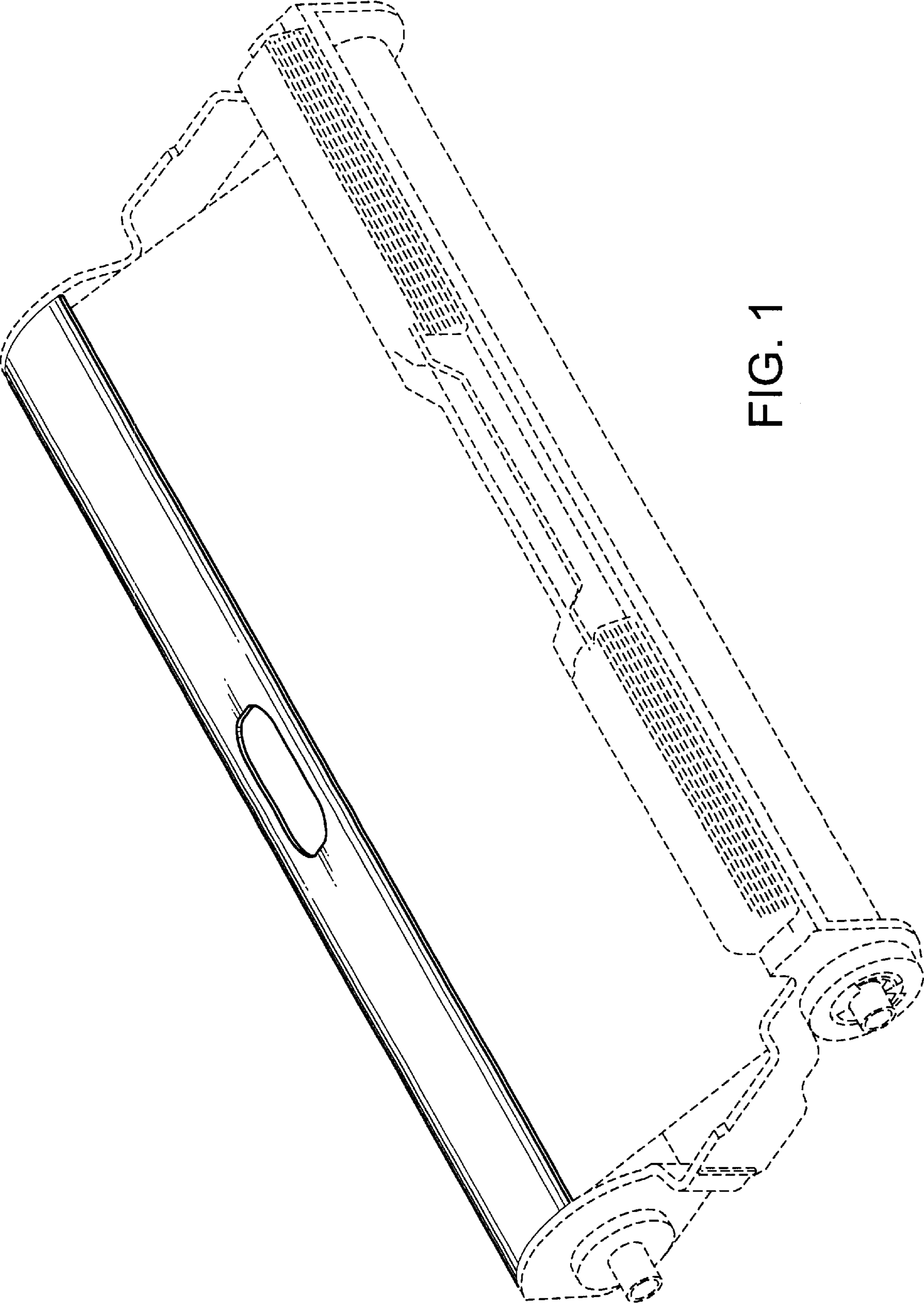


FIG. 1

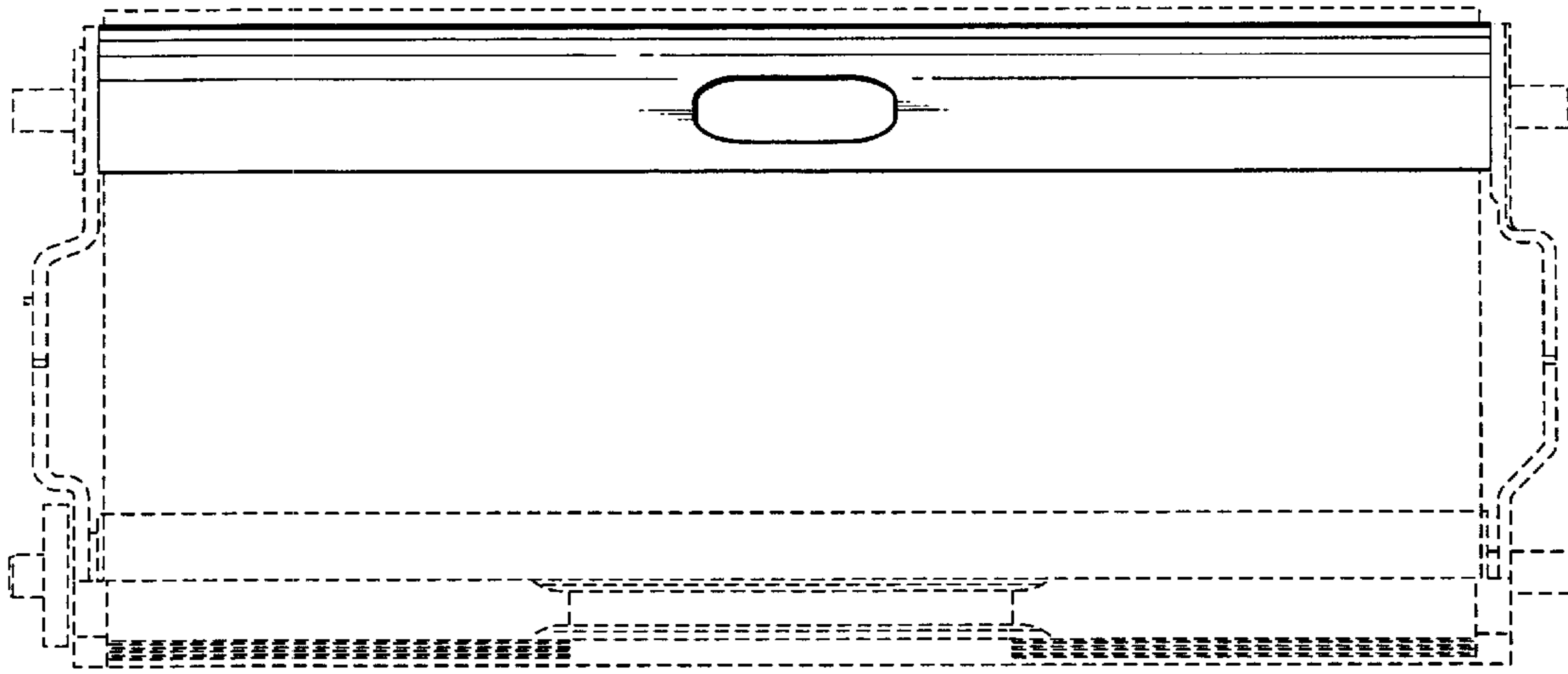


FIG. 2

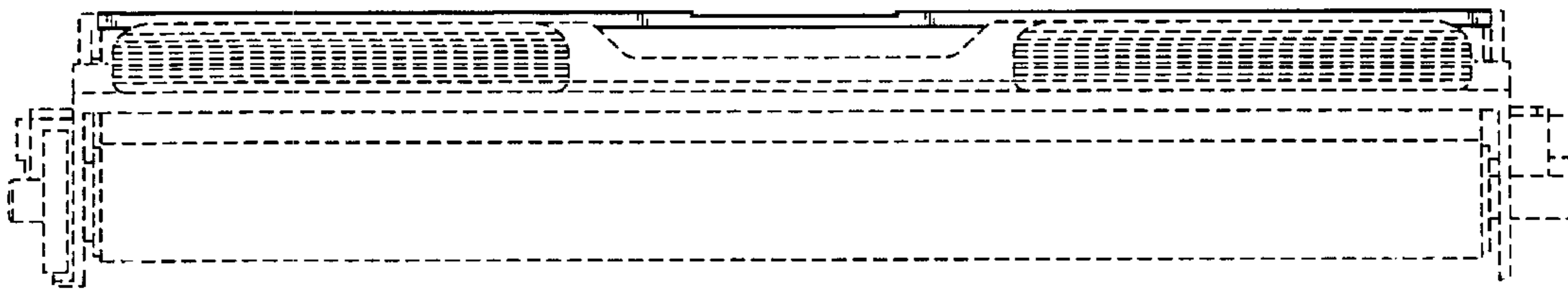


FIG. 3

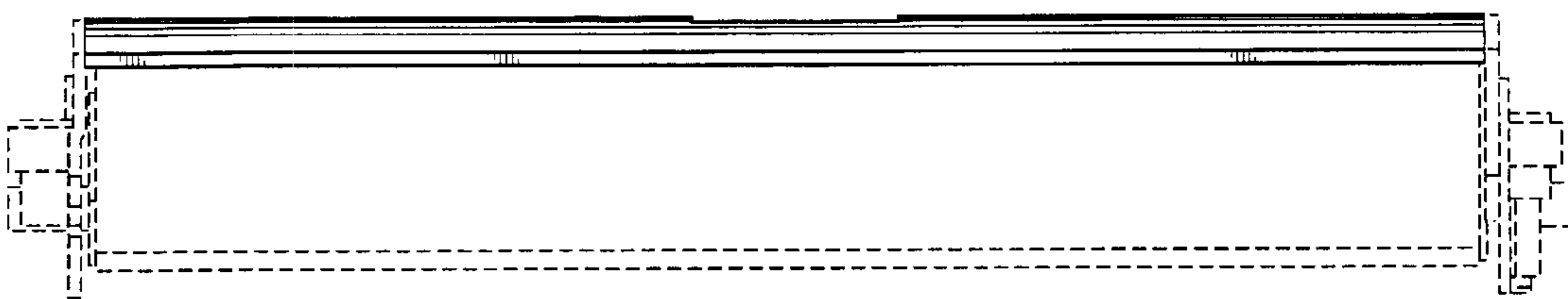


FIG. 4