



US00D532436S

(12) **United States Design Patent**
Kruse et al.

(10) **Patent No.:** **US D532,436 S**

(45) **Date of Patent:** **** Nov. 21, 2006**

(54) **PUSHBUTTON TRIPOD**

(75) Inventors: **James J. Kruse**, Mound, MN (US);
David Breymeier, Liburn, GA (US)

(73) Assignee: **One Source Network, Inc.**, Liburn, GA (US)

(**) Term: **14 Years**

(21) Appl. No.: **29/253,959**

(22) Filed: **Feb. 15, 2006**

(51) **LOC (8) Cl.** **16-05**

(52) **U.S. Cl.** **D16/244**

(58) **Field of Classification Search** D16/242,
D16/244, 245; 248/168, 169, 170, 171, 183.1,
248/183.2, 188.5, 188.6, 188.7; 396/419,
396/428

See application file for complete search history.

(56) **References Cited**

U.S. PATENT DOCUMENTS

2,553,890 A * 5/1951 Bloch 248/188.7
2,919,093 A * 12/1959 Mooney 248/168

D243,328 S * 2/1977 Kawazoe D16/244
D257,260 S * 10/1980 Shiraiishi D16/244
5,288,044 A * 2/1994 Chen 248/183.1

* cited by examiner

Primary Examiner—Adir Aronovich

(74) *Attorney, Agent, or Firm*—Clayton R. Johnson

(57) **CLAIM**

The ornamental design for a pushbutton tripod, as shown and described.

DESCRIPTION

FIG. 1 is top perspective view of the pushbutton tripod of our new design in a condition for use;

FIG. 2 is a bottom perspective view of the pushbutton tripod of FIG. 1 shown in a collapsed condition.

FIG. 3 is a front elevation view of the pushbutton tripod of FIG. 1;

FIG. 4 is left side view thereof;

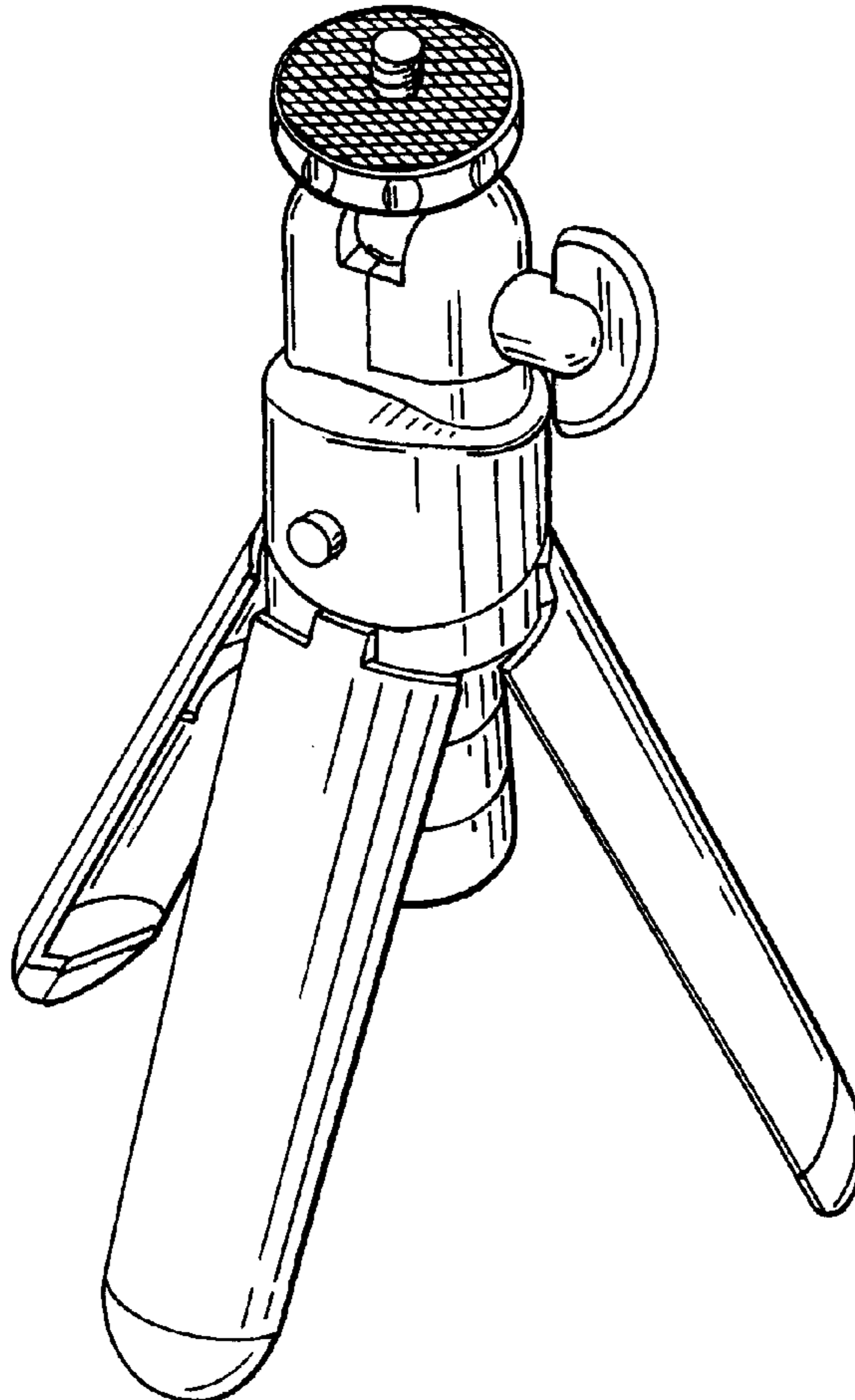
FIG. 5 is a back view thereof;

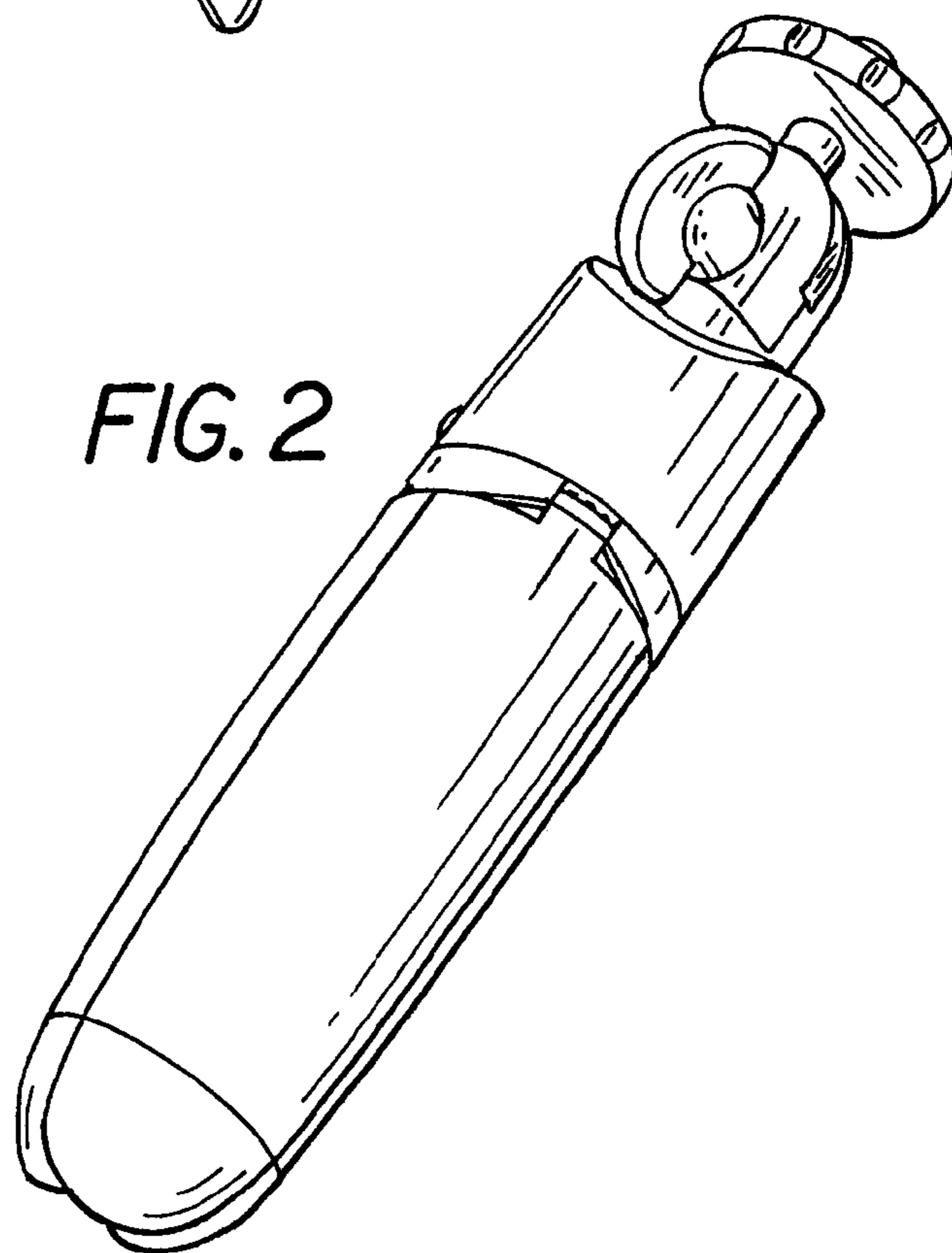
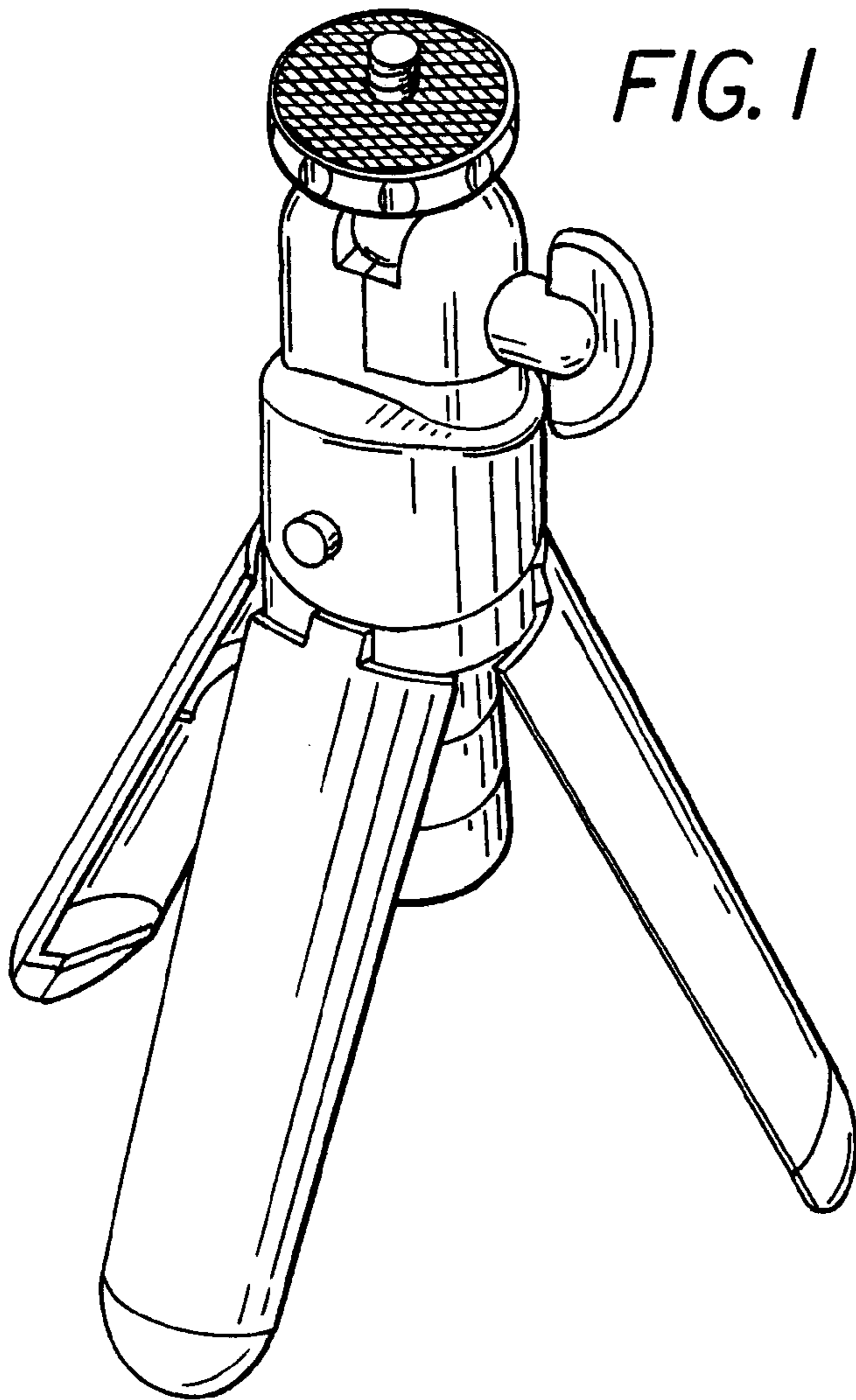
FIG. 6 is a right side view thereof;

FIG. 7 is a top view thereof; and,

FIG. 8 is a bottom view thereof.

1 Claim, 4 Drawing Sheets





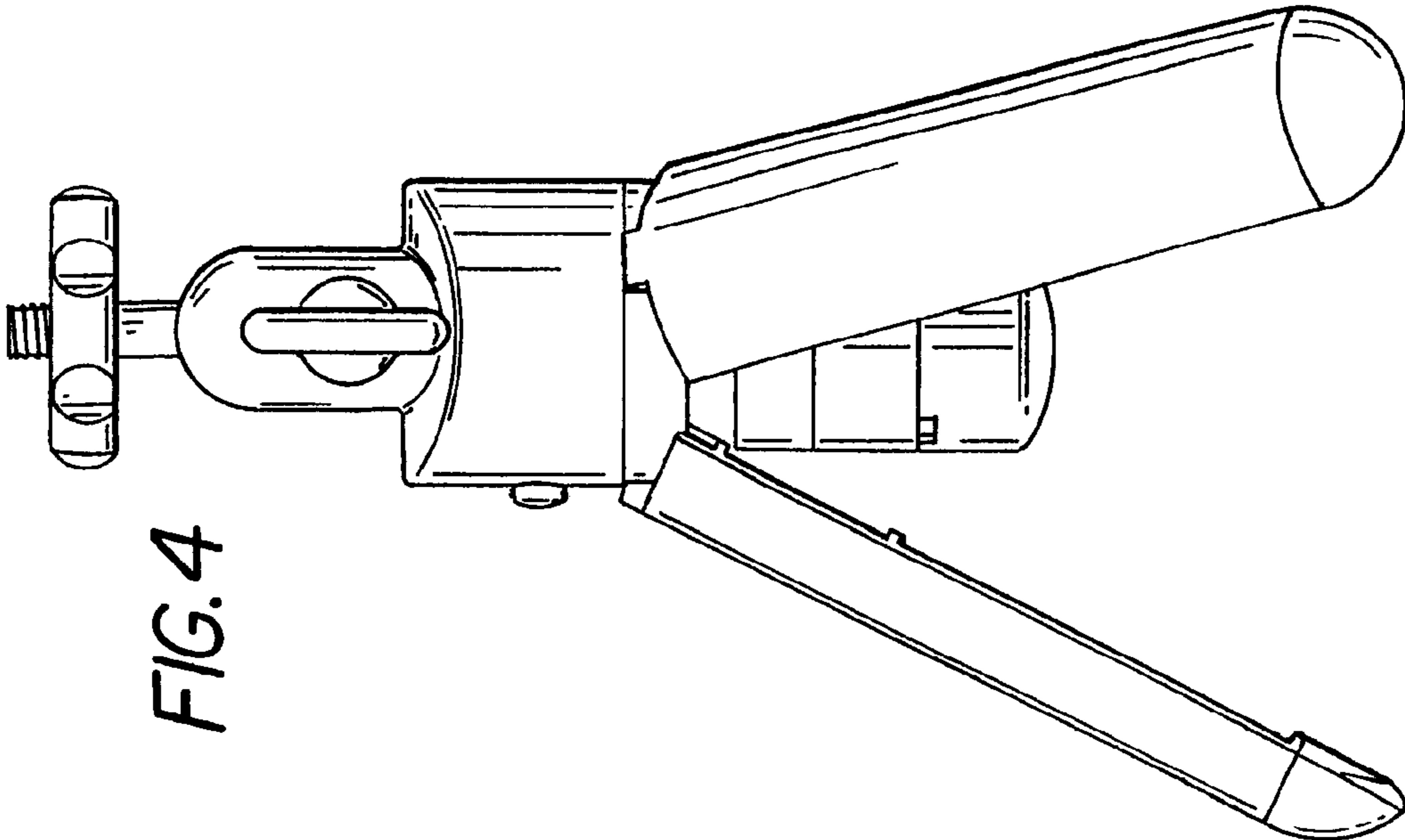


FIG. 4

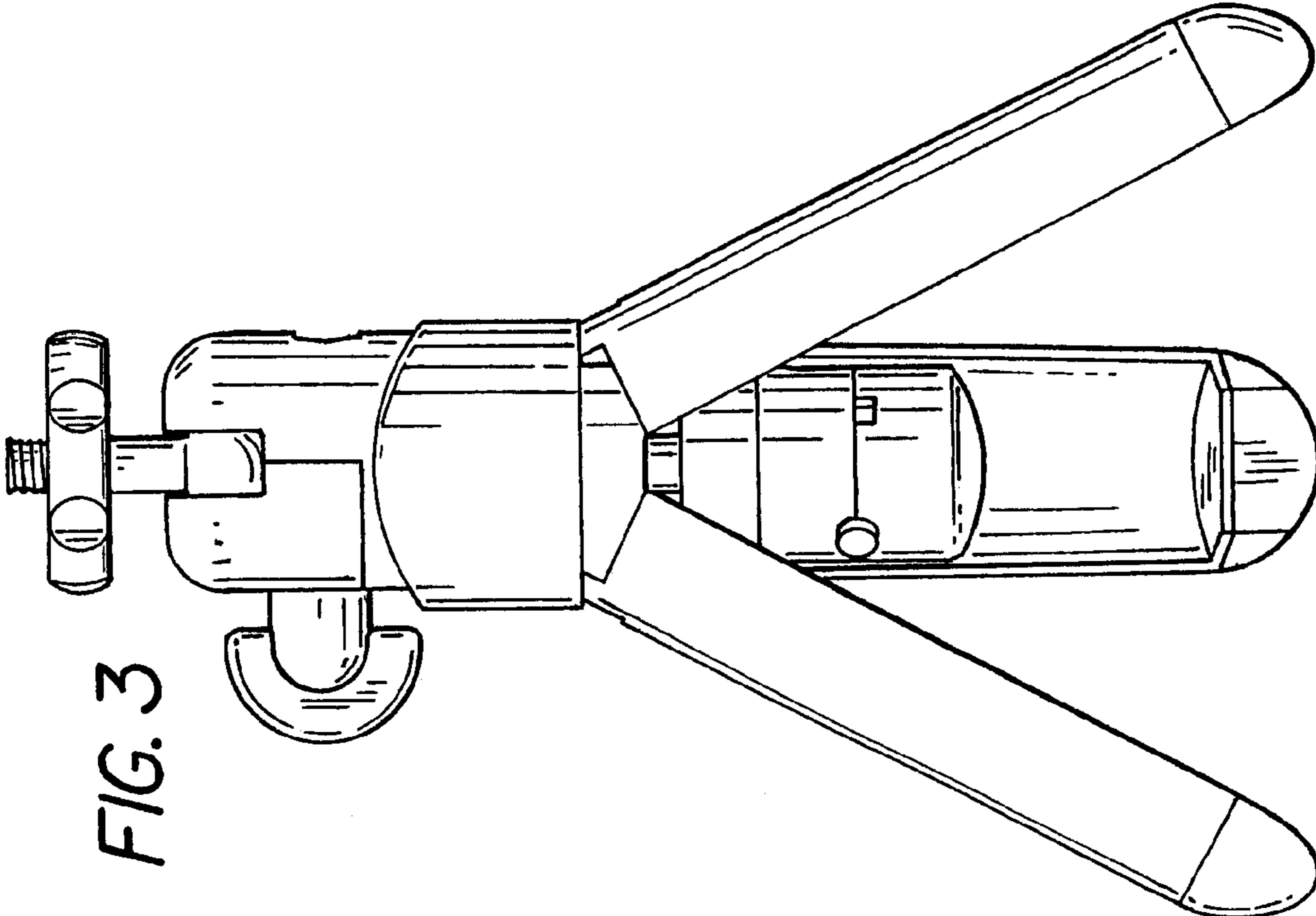


FIG. 3

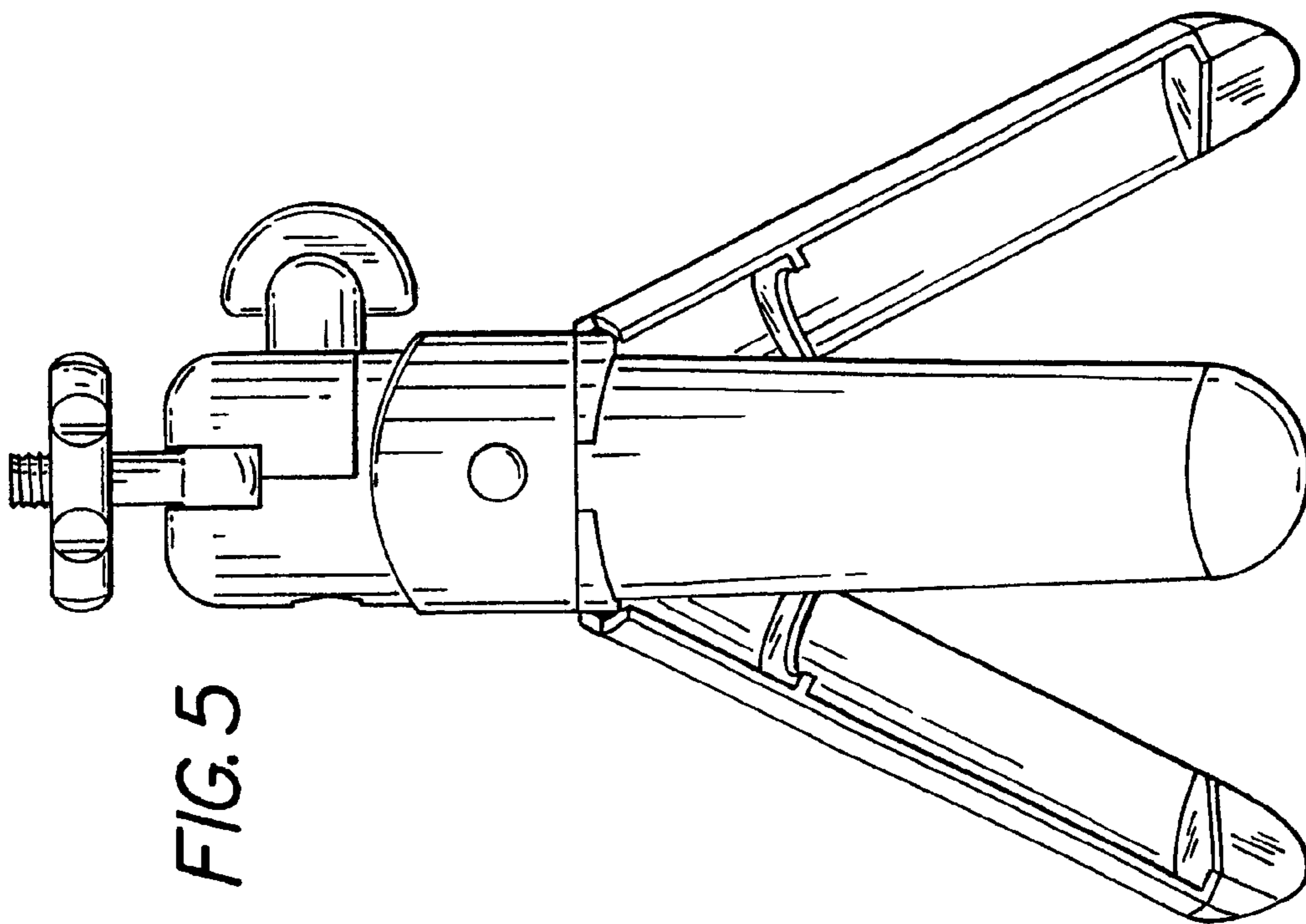
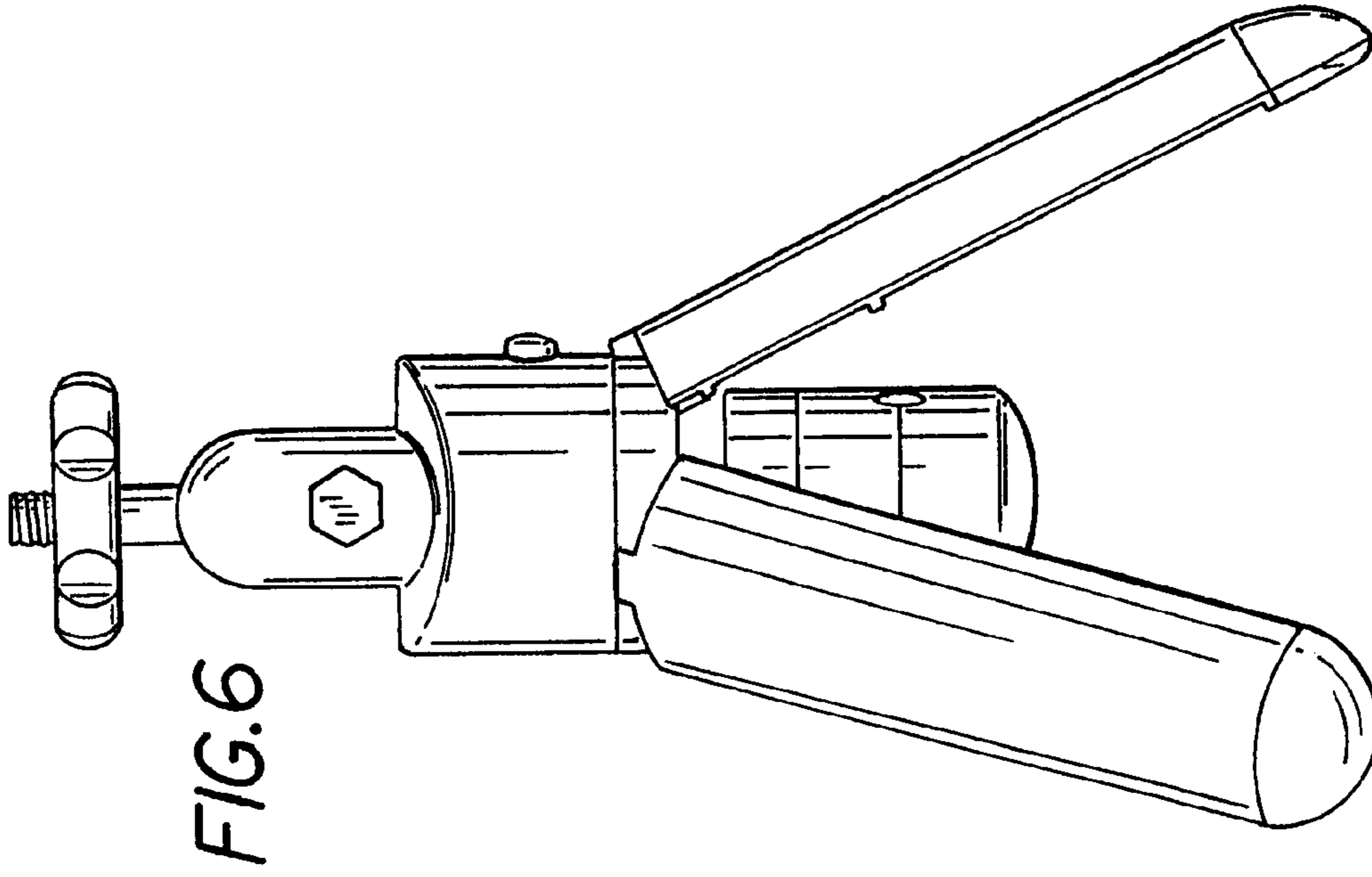


FIG. 7

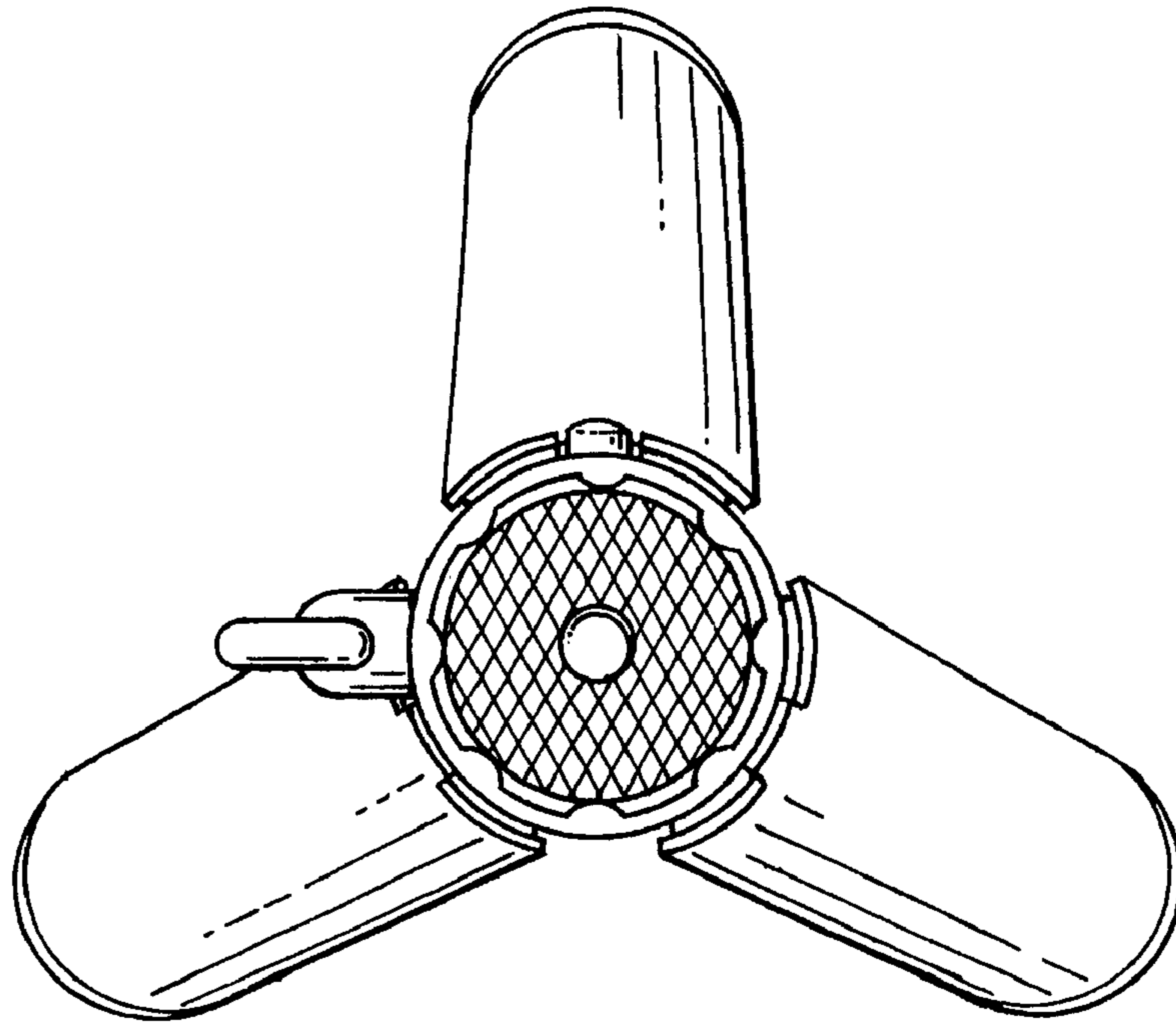


FIG. 8

