

US00D532435S

(12) **United States Design Patent**
Ogino et al.

(10) **Patent No.:** **US D532,435 S**

(45) **Date of Patent:** **** Nov. 21, 2006**

(54) **DIGITAL CAMERA**

D518,499 S * 4/2006 Iue D16/219

(75) Inventors: **Masaki Ogino**, Tokyo (JP); **Akihiro Miyahara**, Kunitachi (JP); **Kazuhito Sakaguchi**, Sagamihara (JP)

* cited by examiner

Primary Examiner—Adir Aronovich
(74) *Attorney, Agent, or Firm*—Frishauf, Holtz, Goodman & Chick, P.C.

(73) Assignee: **Casio Keisanki Kabushiki Kaisha**, Tokyo (JP)

(57) **CLAIM**

(**) **Term:** **14 Years**

The ornamental design for a digital camera, as shown and described.

(21) Appl. No.: **29/226,952**

DESCRIPTION

(22) Filed: **Apr. 5, 2005**

(51) **LOC (8) Cl.** **16-01**

(52) **U.S. Cl.** **D16/219; D16/202**

(58) **Field of Classification Search** D16/200–205,
D16/208, 218, 219; 348/373–376; 358/909.1;
396/535–541

See application file for complete search history.

FIG. 1 is a reduced scale front, right side, top perspective view of a digital camera showing our new design;
FIG. 2 is a front elevational view thereof;
FIG. 3 is a rear elevational view thereof;
FIG. 4 is a left side view thereof;
FIG. 5 is a right side view thereof;
FIG. 6 is a top plan view thereof; and,
FIG. 7 is a bottom plan view thereof.

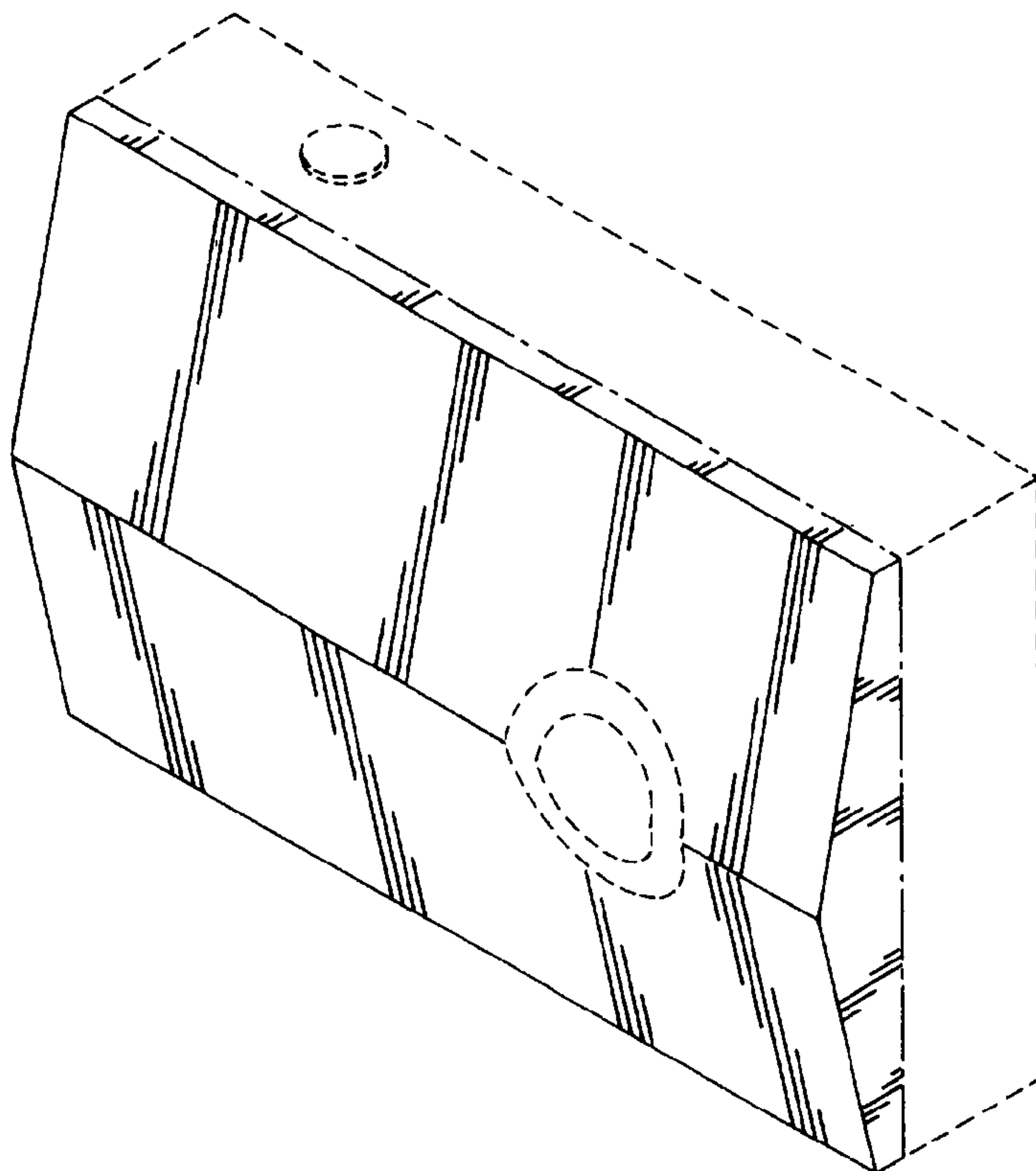
(56) **References Cited**

U.S. PATENT DOCUMENTS

- D482,714 S * 11/2003 Komatsu D16/219
- D494,205 S * 8/2004 Kawase D16/219
- D496,956 S * 10/2004 Wani D16/219
- D501,497 S * 2/2005 Hayamizu D16/202
- D503,184 S * 3/2005 Horikiri D16/219

The broken line showing of portions of the digital camera are for illustrative purposes only and form no part of the claimed design. The chain lines are provided to show the borderline between the claimed portions and the broken line portions which are not being claimed.

1 Claim, 4 Drawing Sheets



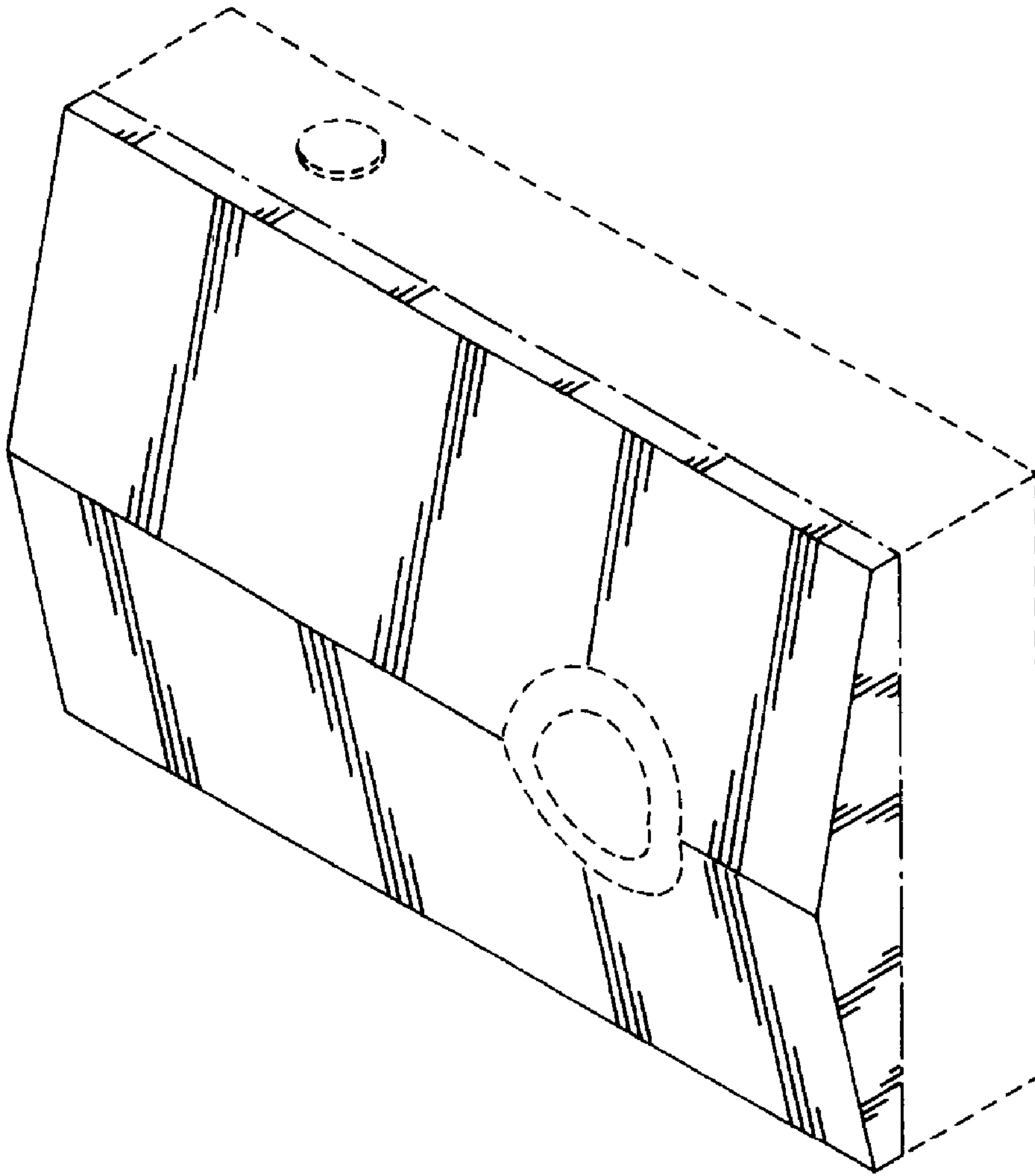


FIG. 1

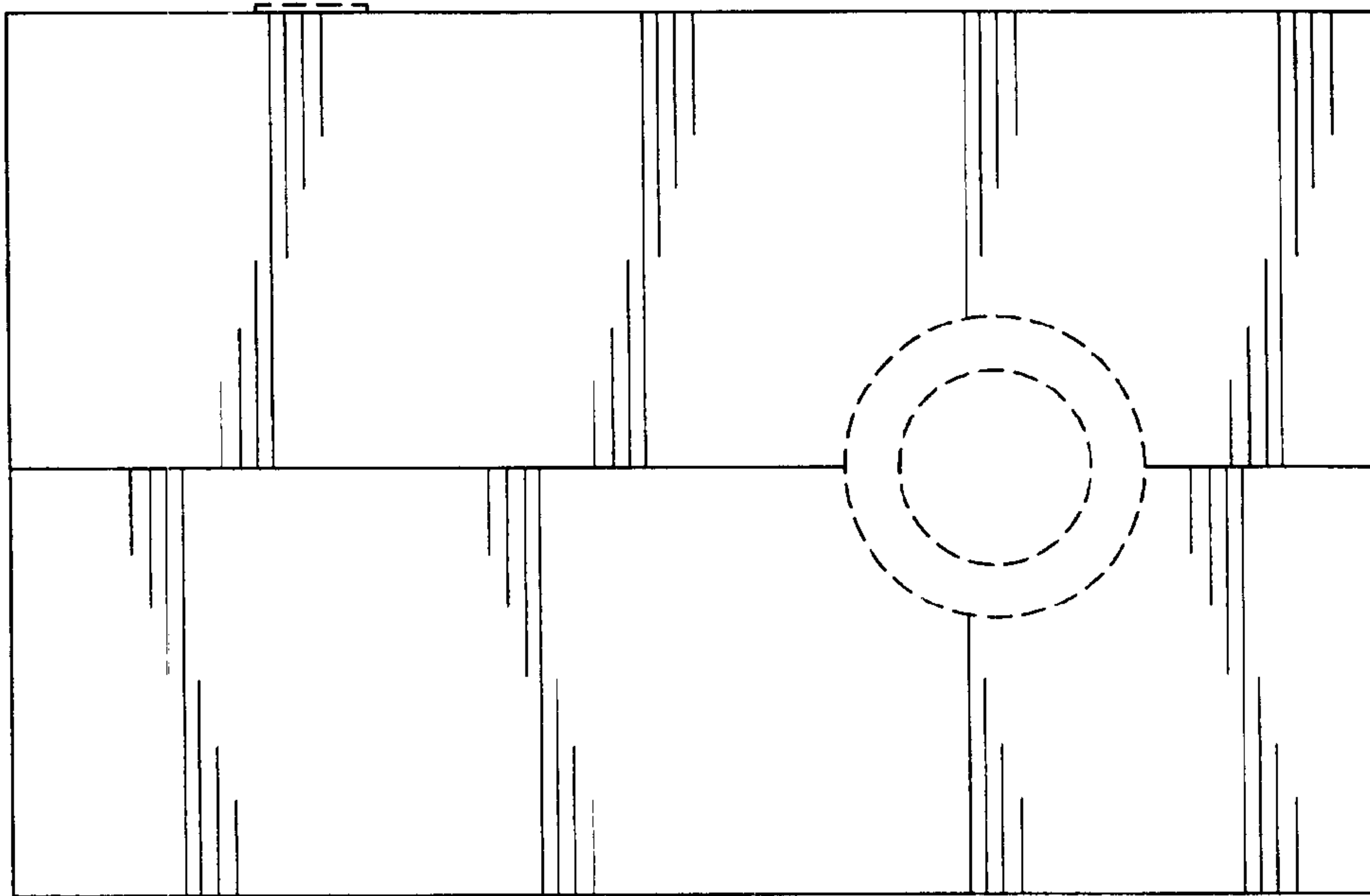


FIG. 2

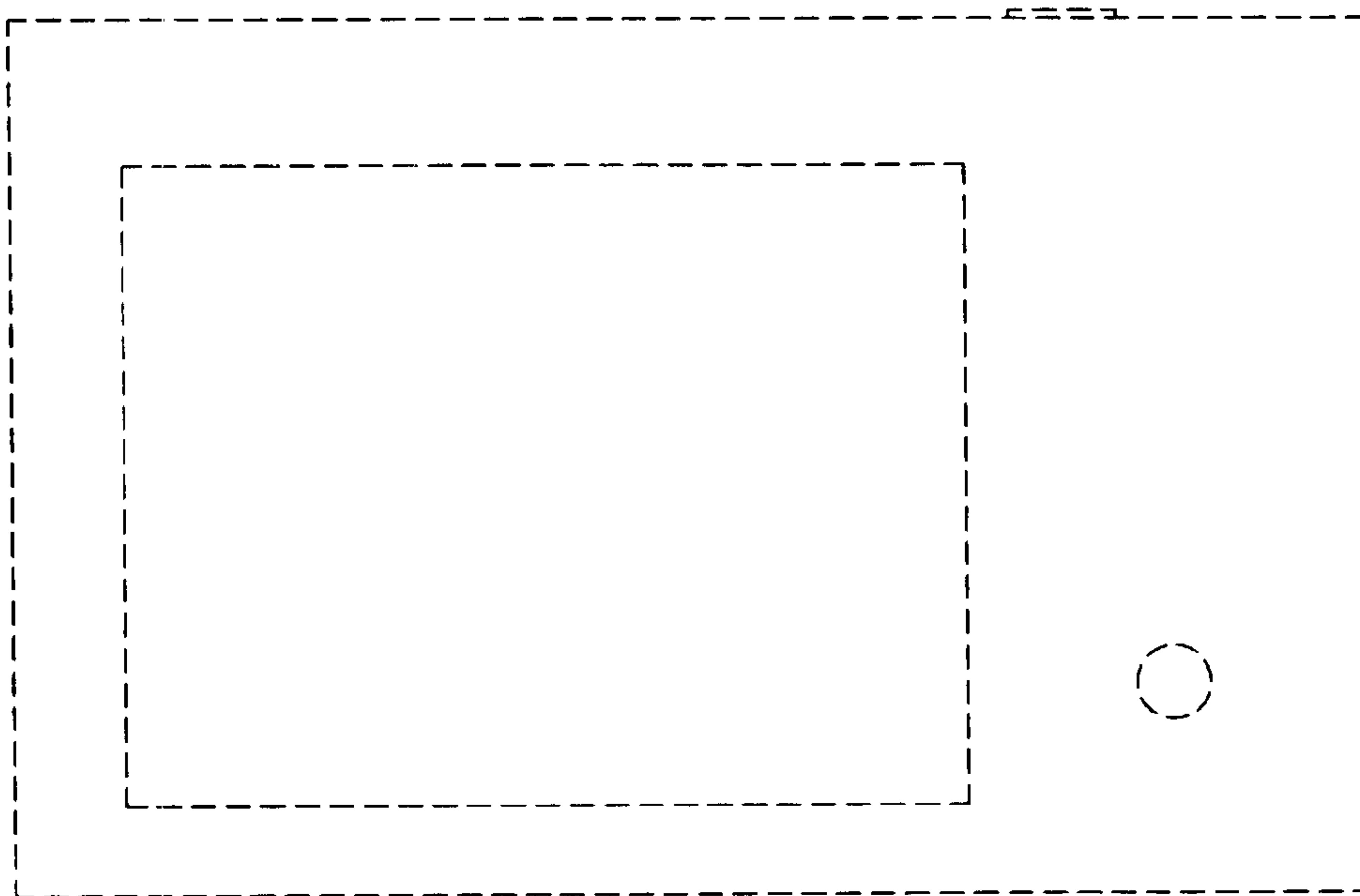


FIG. 3

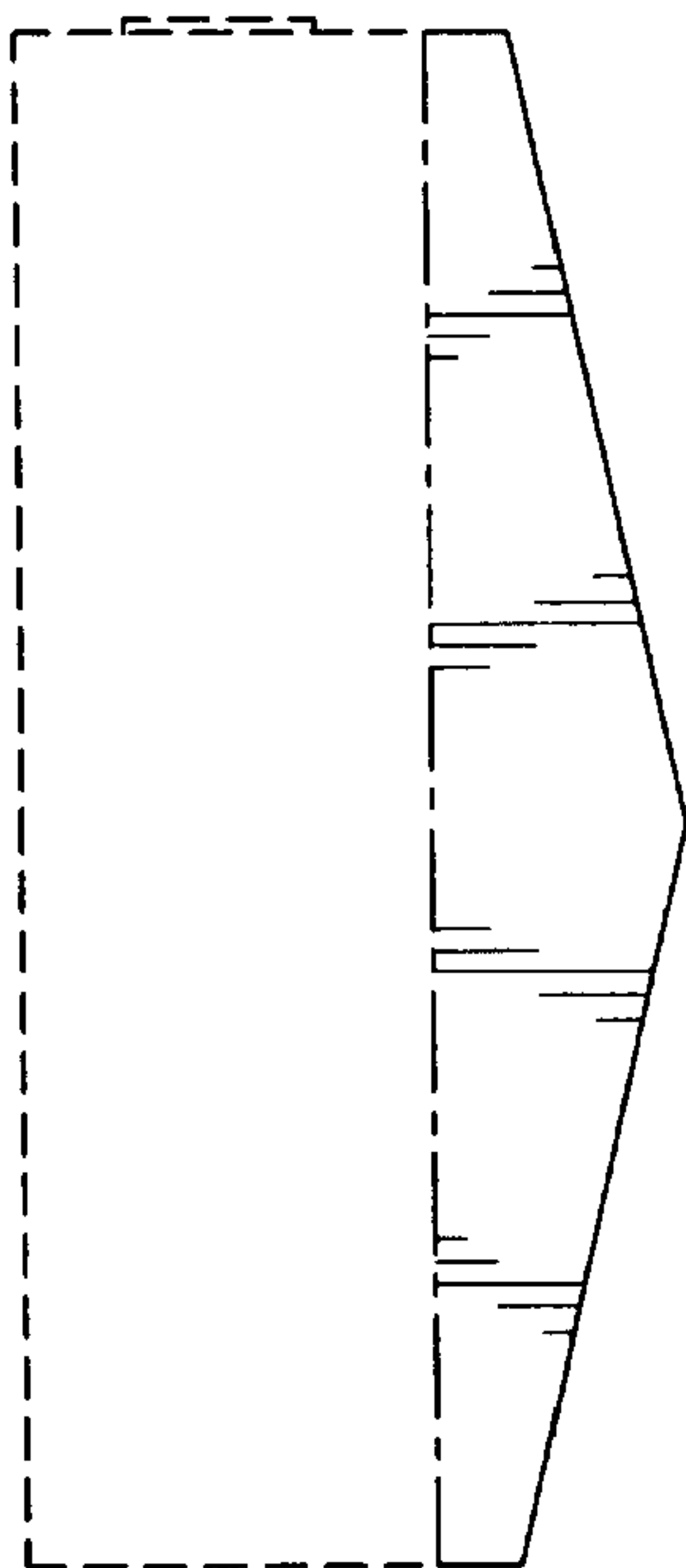


FIG. 4

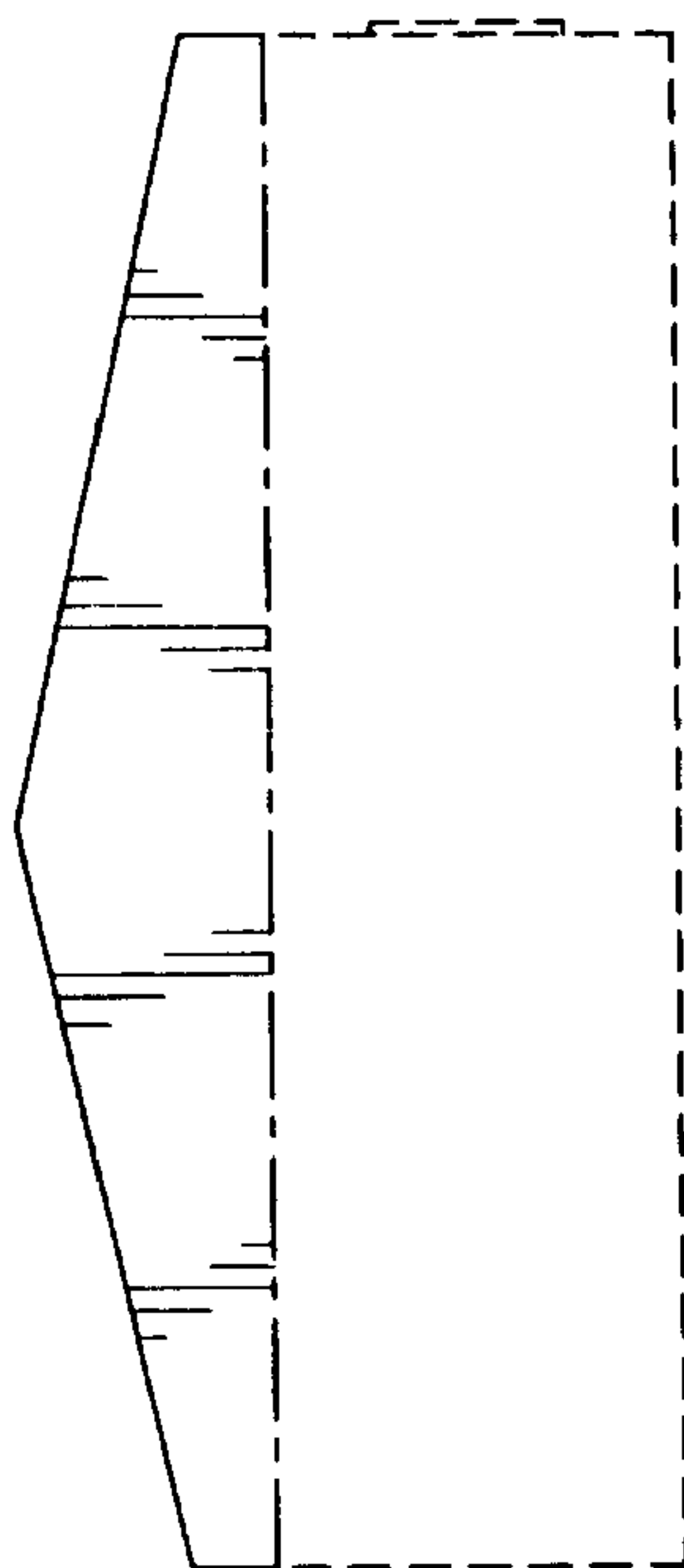


FIG. 5

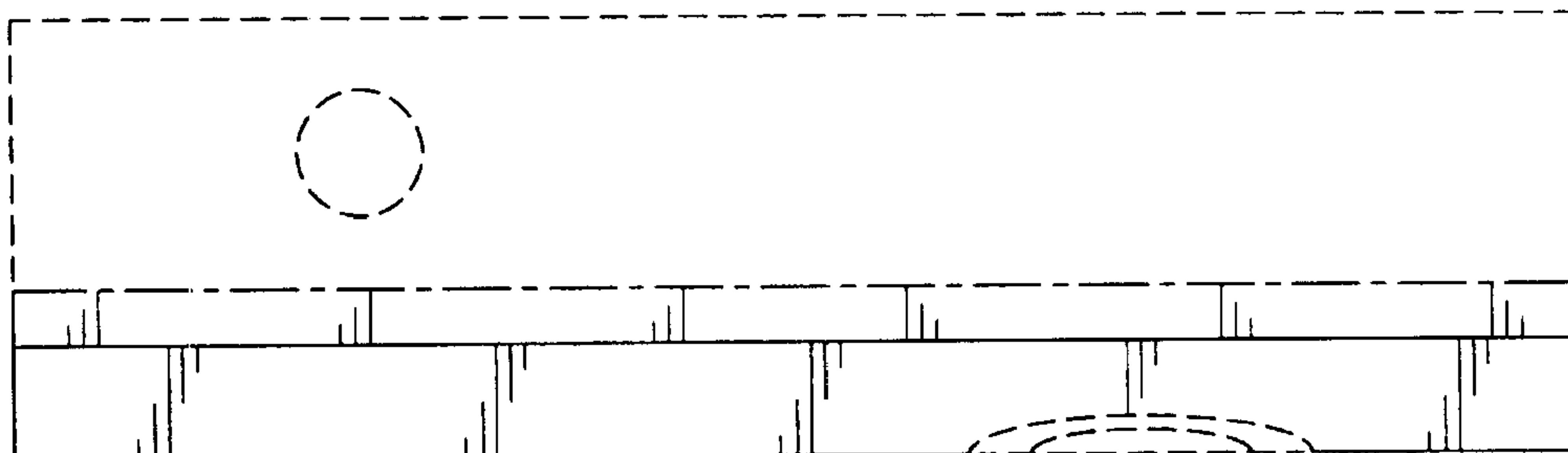


FIG. 6

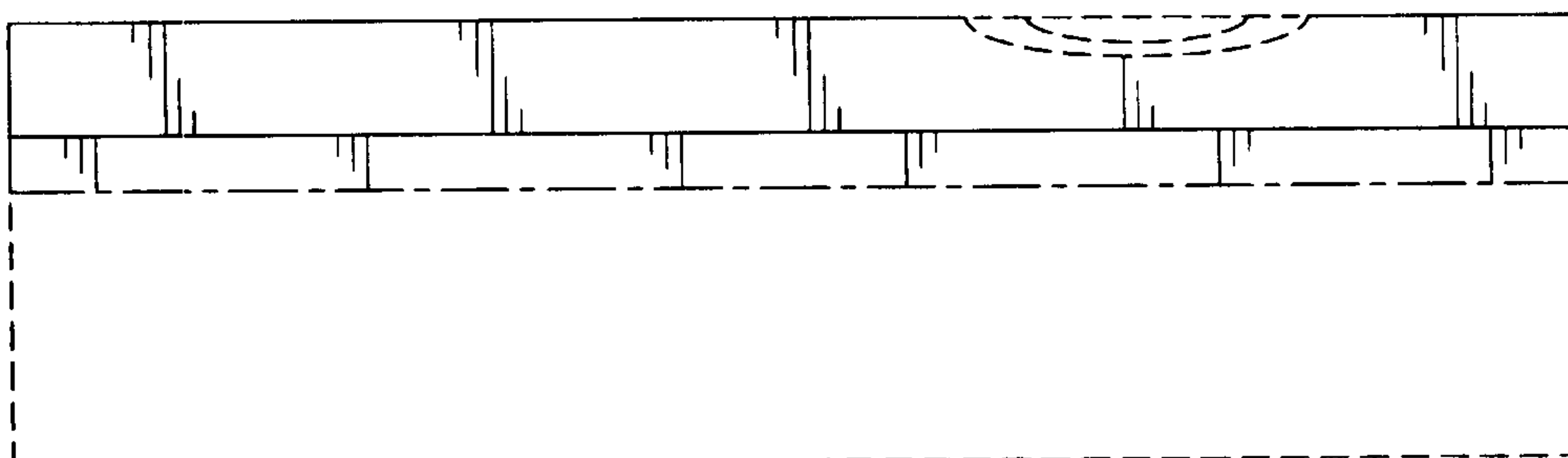


FIG. 7