



US00D532433S

(12) **United States Design Patent**
Sato

(10) **Patent No.:** **US D532,433 S**

(45) **Date of Patent:** **** Nov. 21, 2006**

(54) **DIGITAL CAMERA**

(75) Inventor: **Keita Sato**, Chiba-ken (JP)

(73) Assignee: **Canon Kabushiki Kaisha**, Tokyo (JP)

(**) Term: **14 Years**

(21) Appl. No.: **29/225,174**

(22) Filed: **Mar. 14, 2005**

(30) **Foreign Application Priority Data**

Dec. 10, 2004 (JP) 2004-037782

(51) **LOC (8) Cl.** **16-01**

(52) **U.S. Cl.** **D16/202**

(58) **Field of Classification Search** D16/200–205,
D16/208, 218; 348/373–376; 358/909.1;
396/535–541

See application file for complete search history.

(56) **References Cited**

U.S. PATENT DOCUMENTS

5,555,052 A * 9/1996 Pearson 396/538

D466,914 S * 12/2002 Kumakura D16/202

D481,405 S * 10/2003 Sakaguchi D16/202

D482,054 S * 11/2003 Nasu D16/202

D494,612 S * 8/2004 Yang et al. D16/202

D495,727 S * 9/2004 Dow et al. D16/202

D507,586 S * 7/2005 Nakamura D16/202

FOREIGN PATENT DOCUMENTS

JP 1186320 8/2003

* cited by examiner

Primary Examiner—Adir Aronovich

(74) *Attorney, Agent, or Firm*—Fitzpatrick, Cella, Harper & Scinto

(57) **CLAIM**

The ornamental design for a digital camera, as shown and described.

DESCRIPTION

FIG. 1 is a front view of a digital camera showing my new design;

FIG. 2 is a rear view thereof;

FIG. 3 is a top plan view thereof;

FIG. 4 is a bottom plan view thereof;

FIG. 5 is a left side view thereof;

FIG. 6 is a right side view thereof; and,

FIG. 7 is a perspective view thereof.

1 Claim, 5 Drawing Sheets

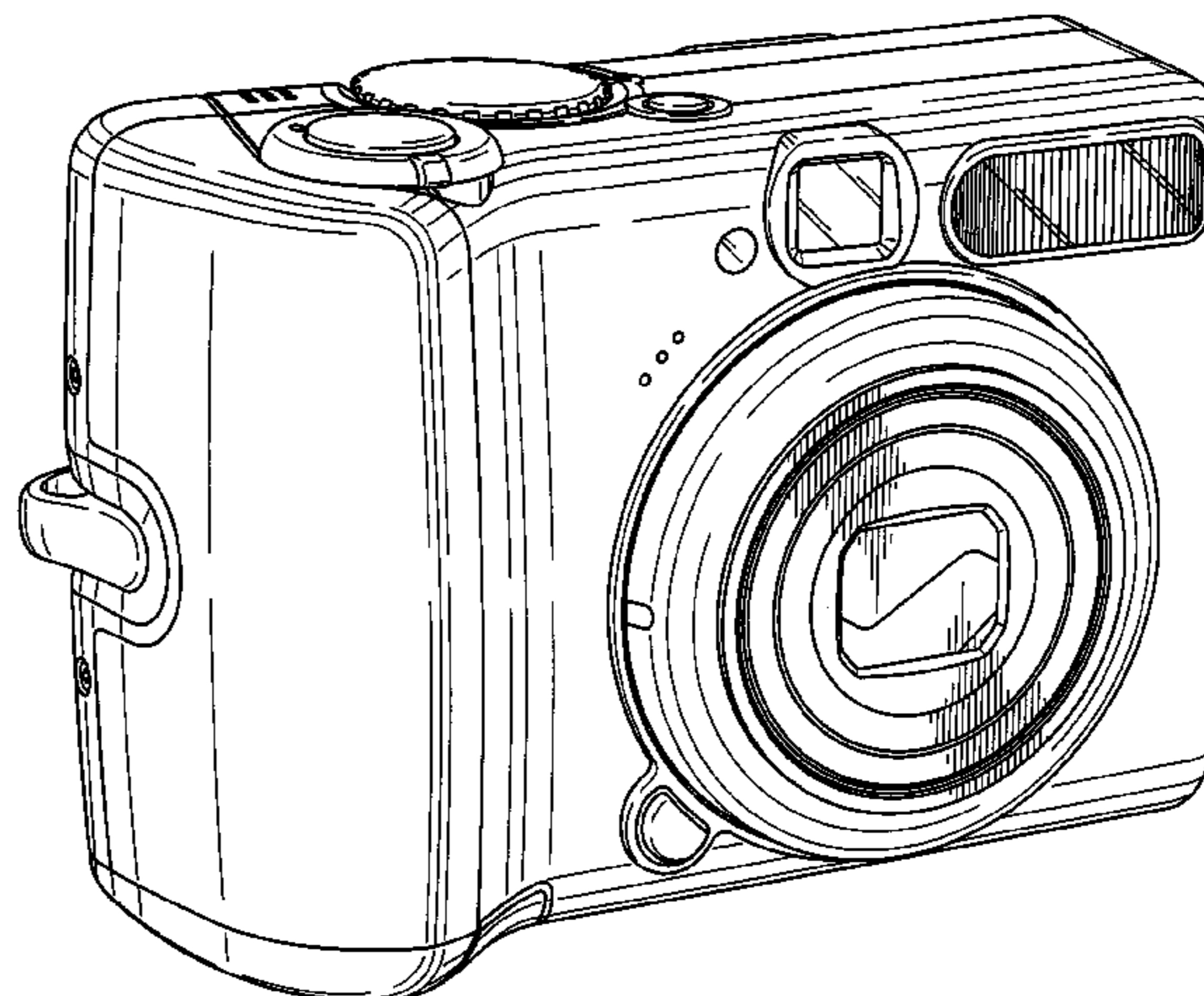
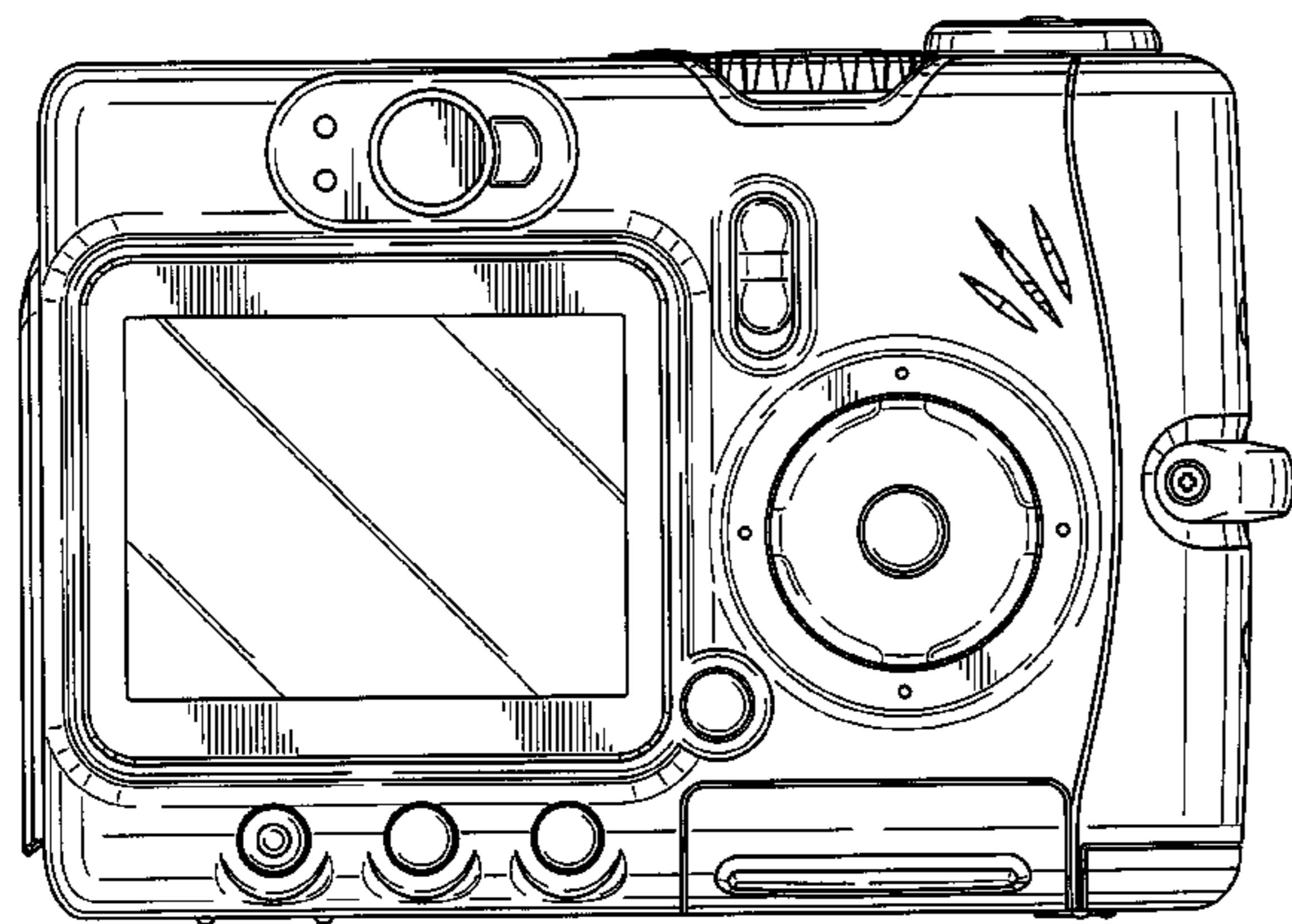


FIG. 1

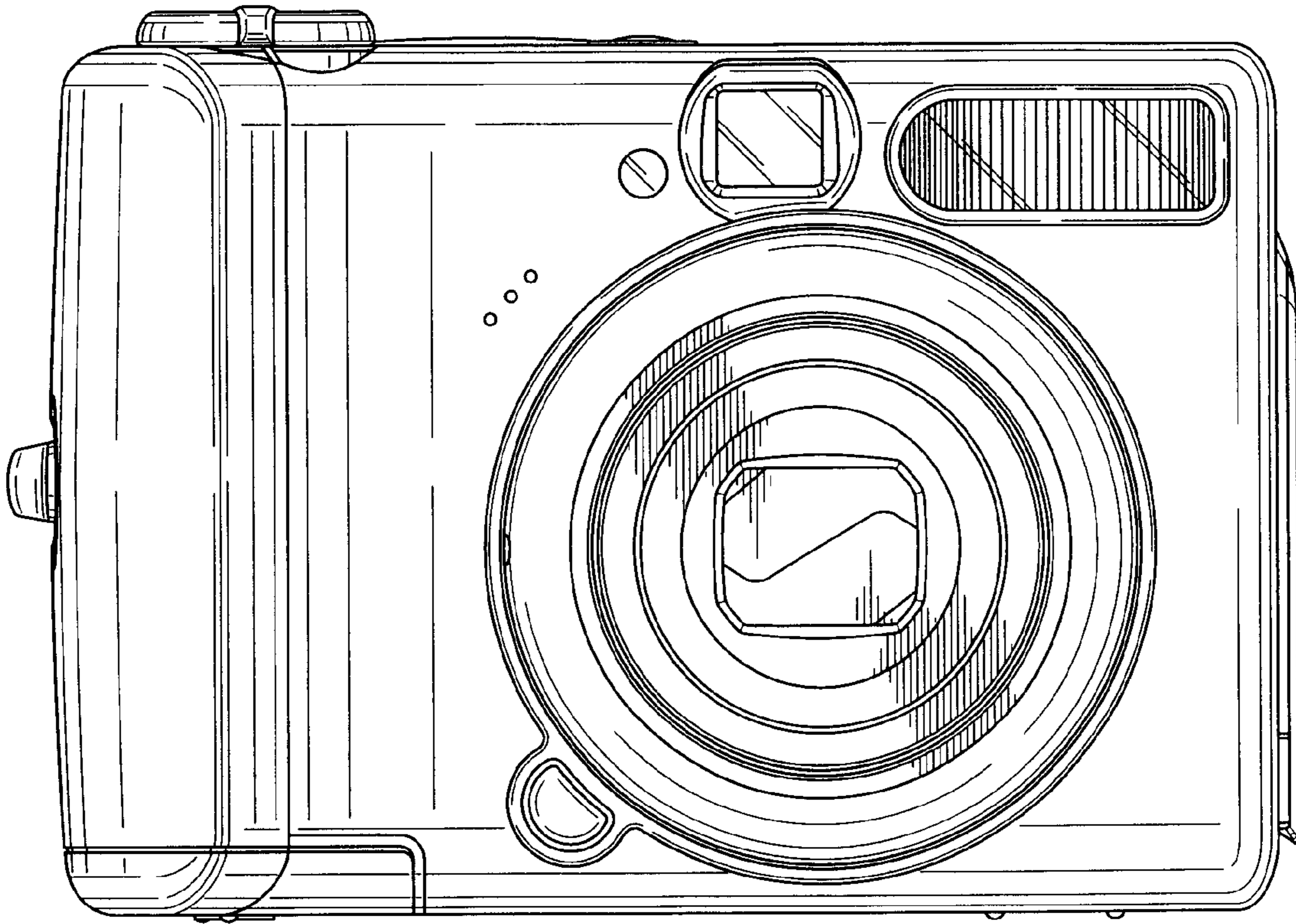


FIG. 2

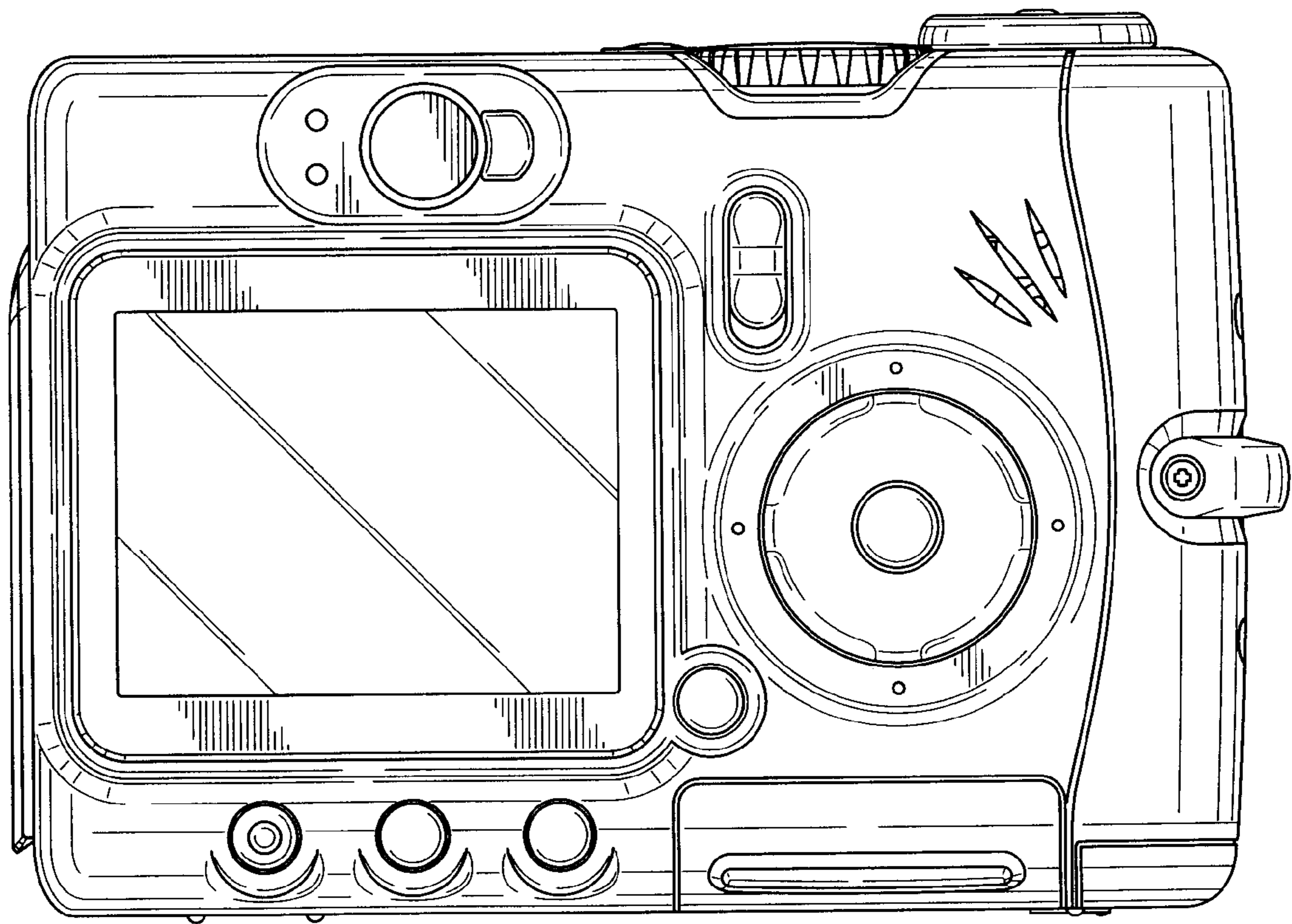


FIG. 3

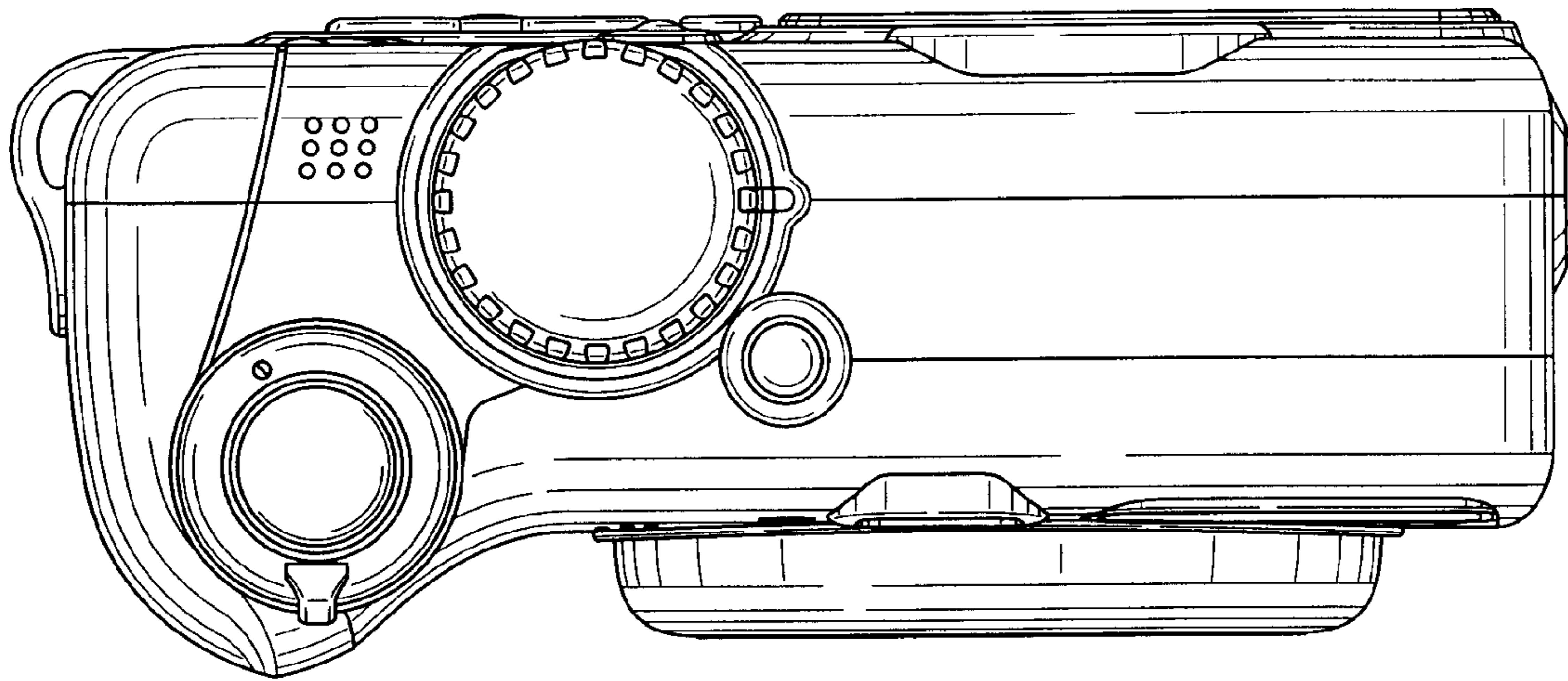


FIG. 4

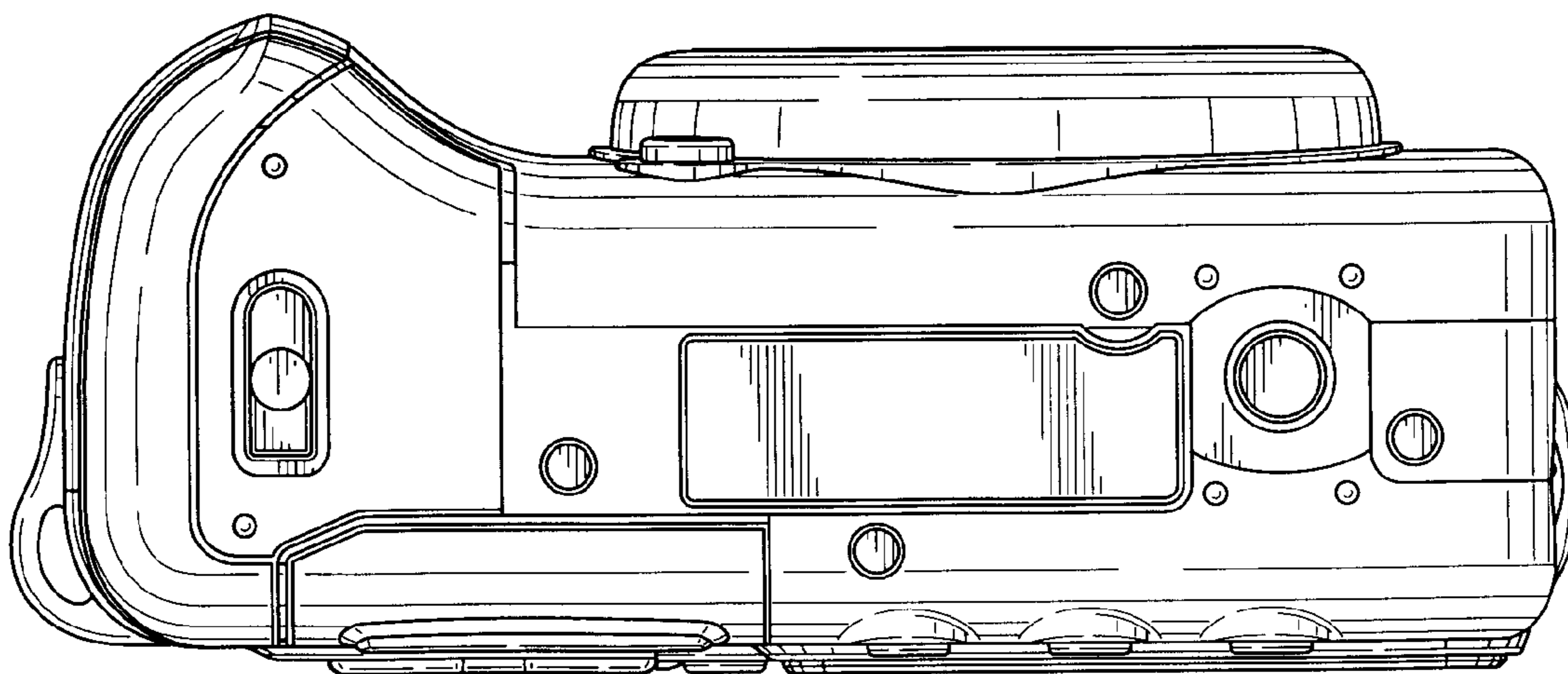


FIG. 5

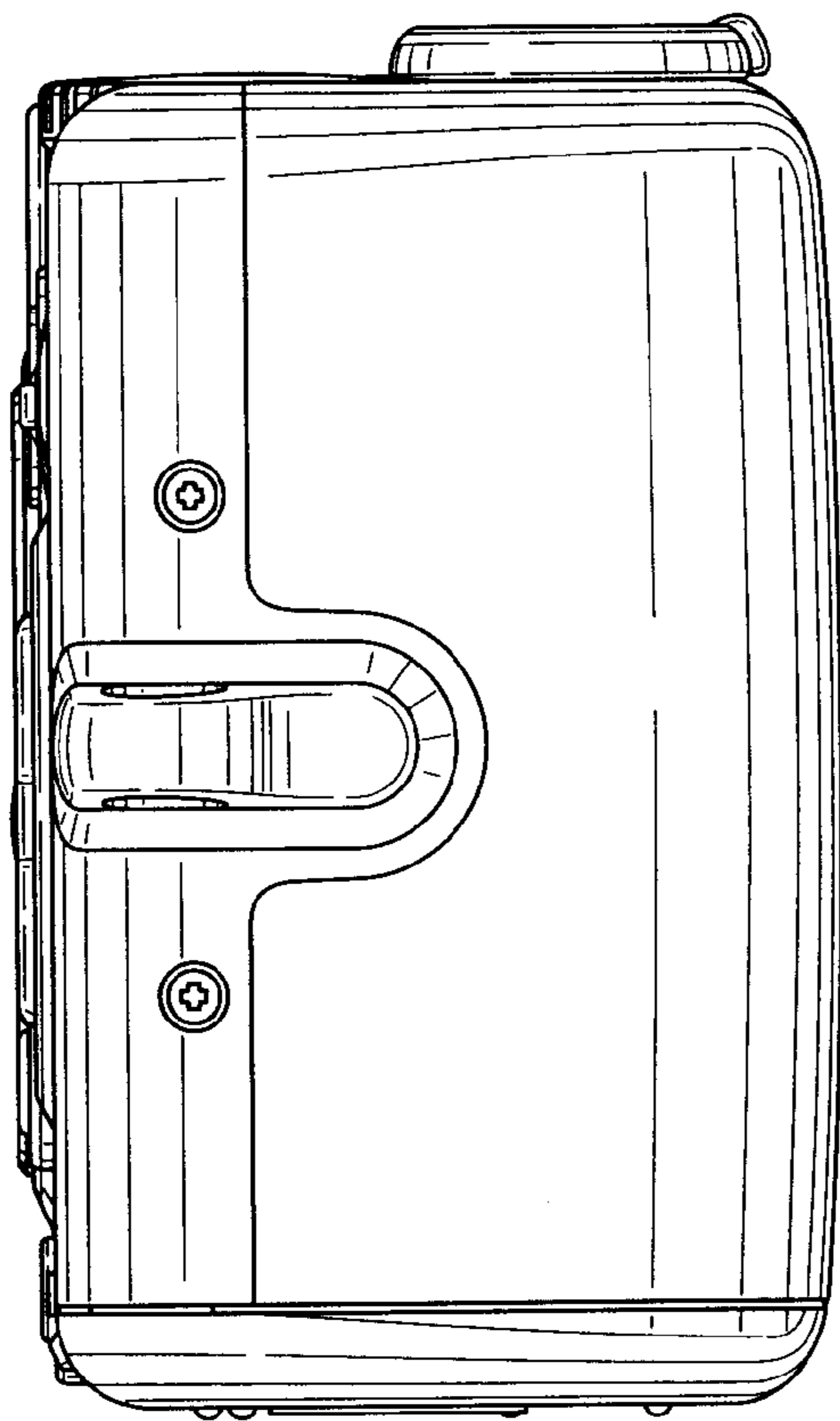


FIG. 6

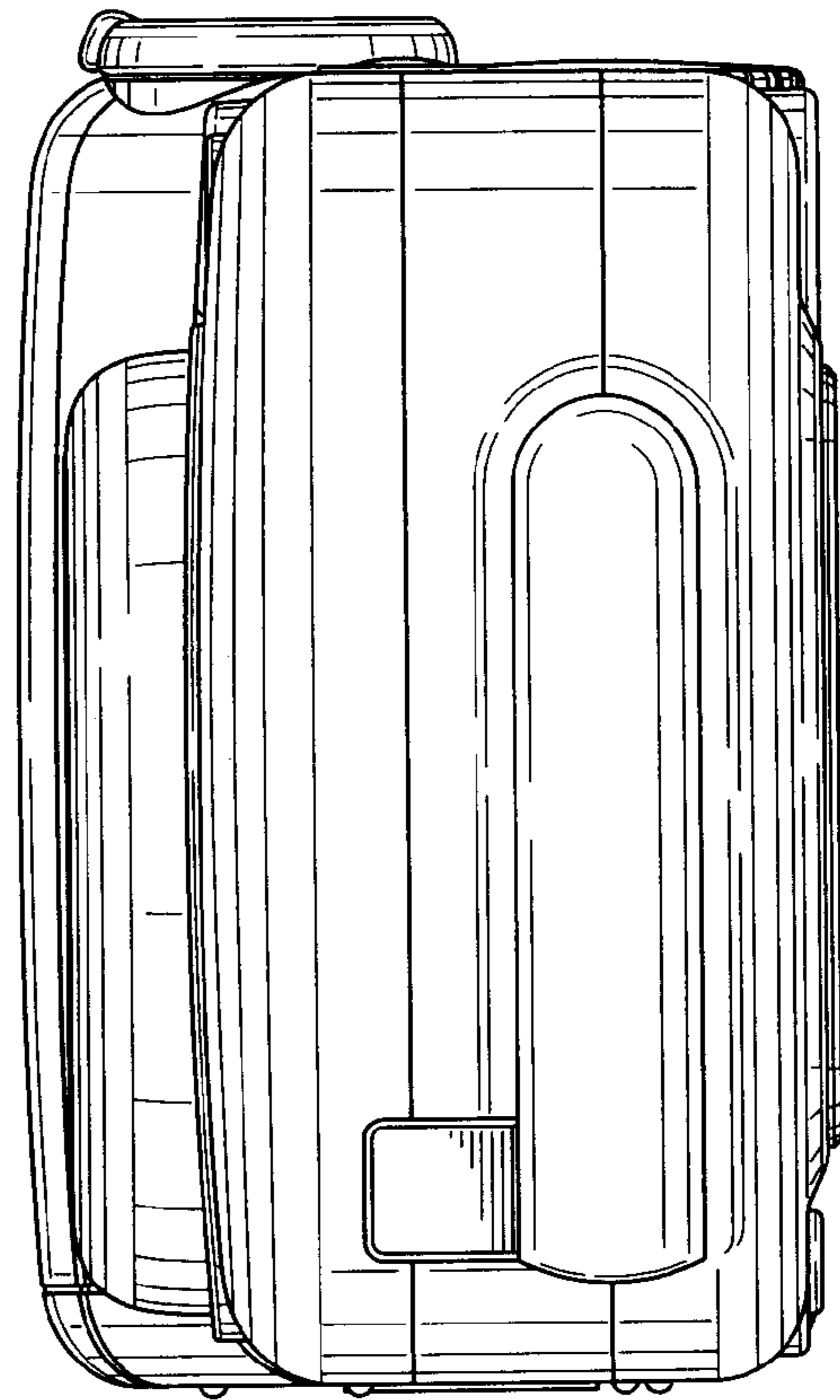


FIG. 7

