



US00D532432S

(12) **United States Design Patent**
Owens

(10) **Patent No.:** **US D532,432 S**

(45) **Date of Patent:** **** Nov. 21, 2006**

(54) **WELDING TORCH HANDLE**

D498,130 S * 11/2004 Tomchak et al. D8/107
6,822,196 B1 * 11/2004 Centner 219/137.62

(75) Inventor: **Mark Owens**, Prescot (GB)

FOREIGN PATENT DOCUMENTS

(73) Assignee: **Alexander Binzel Schweisstechnik GmbH & Co. KG**, Buseck (DE)

DE	M9200591	8/1992
DE	M9302169	8/1993
DE	M9610913	5/1997
DE	40106153	11/2001

(**) Term: **14 Years**

* cited by examiner

(21) Appl. No.: **29/254,462**

Primary Examiner—Antoine D. Davis

(22) Filed: **Feb. 24, 2006**

Assistant Examiner—Patricia Palasik

(30) **Foreign Application Priority Data**

(74) *Attorney, Agent, or Firm*—Charles P. Boukus, Jr.

Aug. 31, 2005 (EM) 000393384-0001/0005

(57) **CLAIM**

(51) **LOC (8) Cl.** **15-09**

The ornamental design for a welding torch handle, as shown and described.

(52) **U.S. Cl.** **D15/144**; D8/107

(58) **Field of Classification Search** D8/30,
D8/107; D15/144-144.2; 219/74, 75, 76.16,
219/121.47, 121.48, 121.5, 121.51, 121.52,
219/121.53, 137.31, 137.61, 137.62
See application file for complete search history.

DESCRIPTION

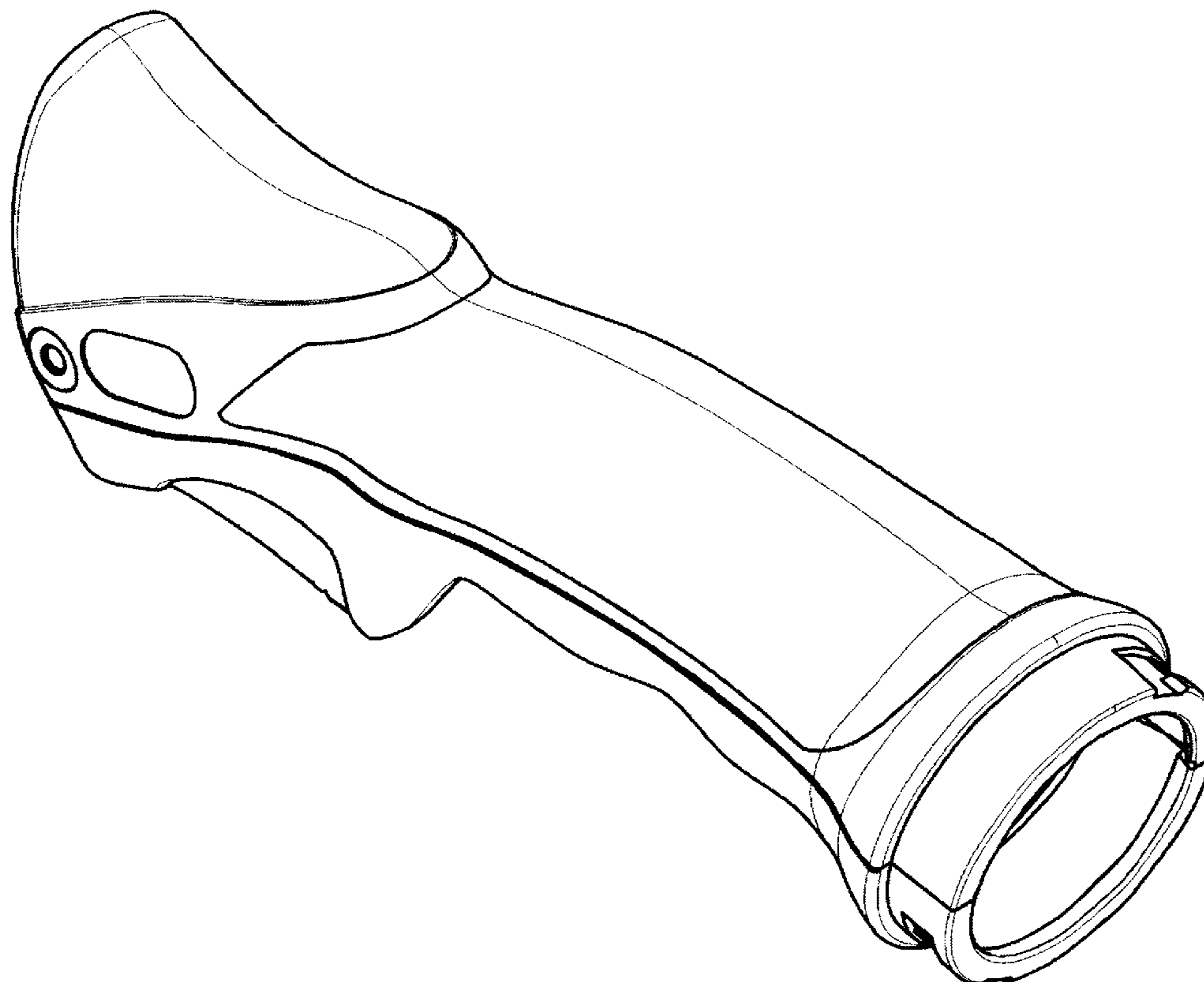
FIG. 1 is a left side perspective view of a welding torch handle embodying my new design;
FIG. 2 is left side elevation view thereof;
FIG. 3 is right side elevation view thereof;
FIG. 4 is a top view thereof;
FIG. 5 is a bottom view thereof;
FIG. 6 is a front view thereof; and,
FIG. 7 is a rear view thereof.

(56) **References Cited**

U.S. PATENT DOCUMENTS

D350,884 S	*	9/1994	Sperling et al.	D8/30
D449,212 S	*	10/2001	Price et al.	D8/107
D464,861 S	*	10/2002	Chen	D8/107
D493,682 S	*	8/2004	Jones et al.	D8/30

1 Claim, 6 Drawing Sheets



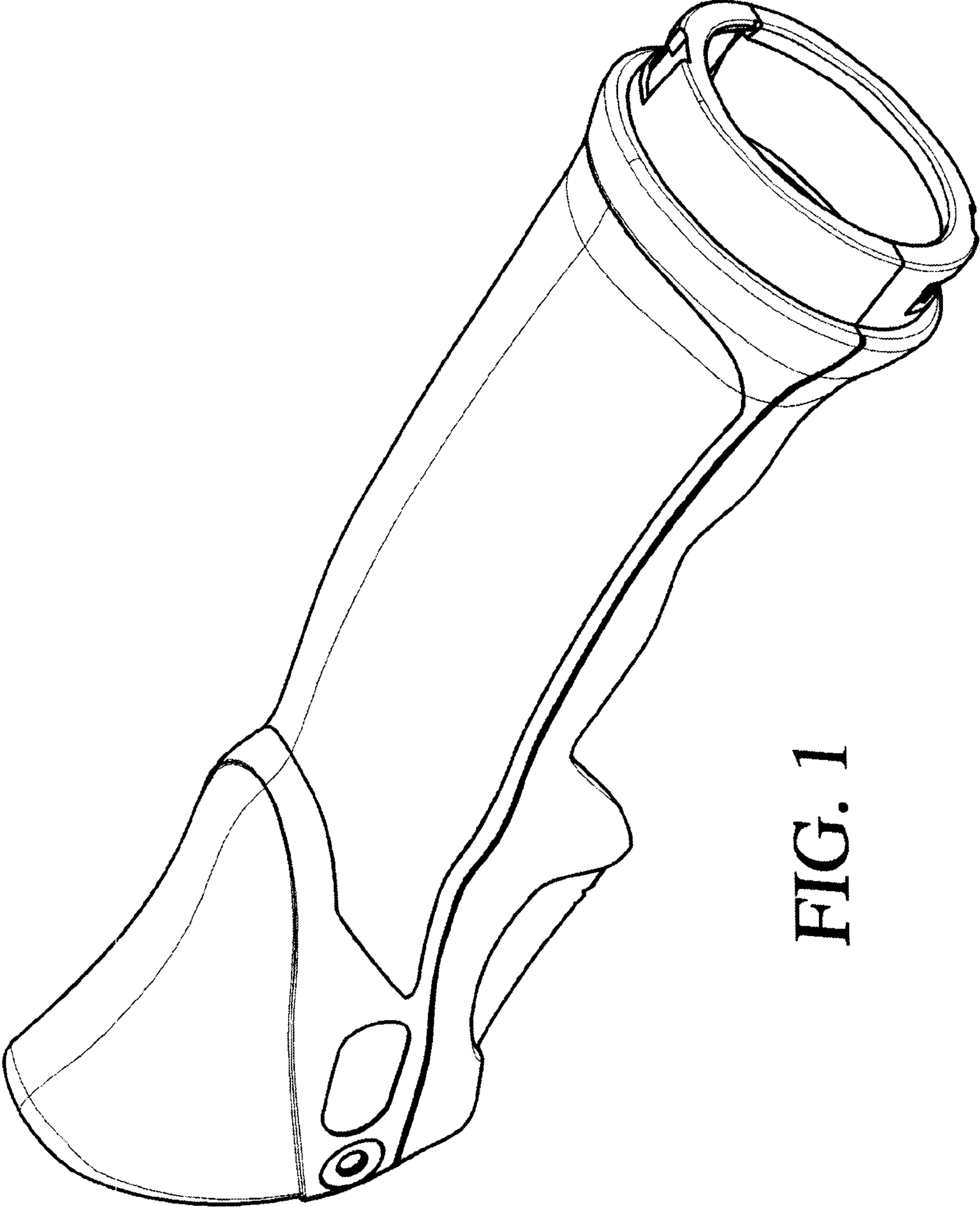


FIG. 1



FIG. 2



FIG. 3

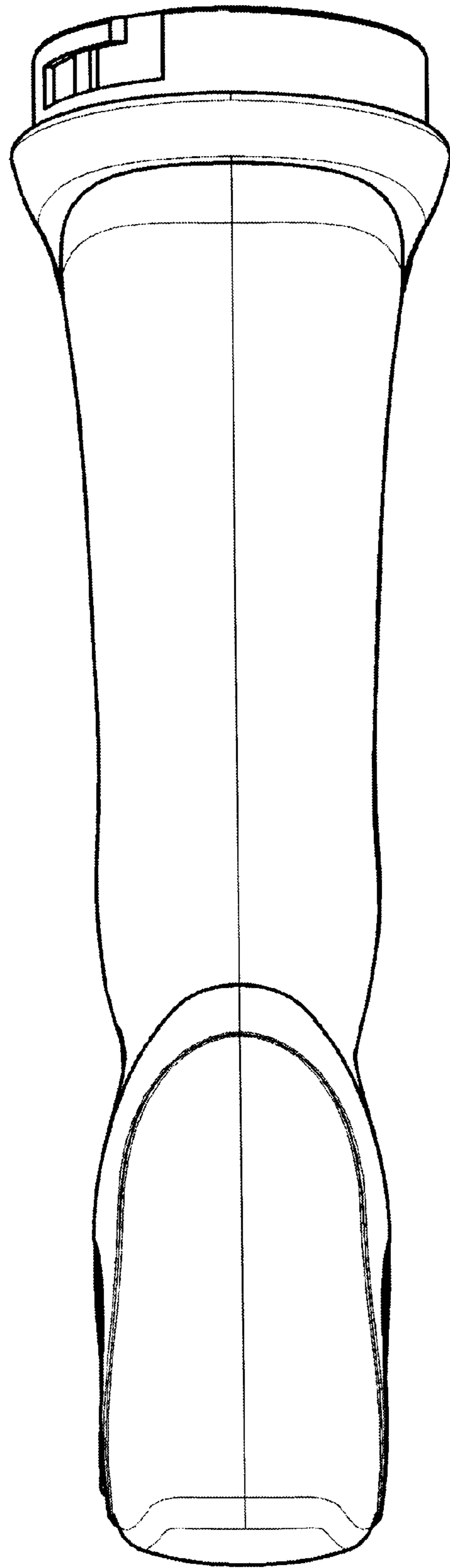


FIG. 4

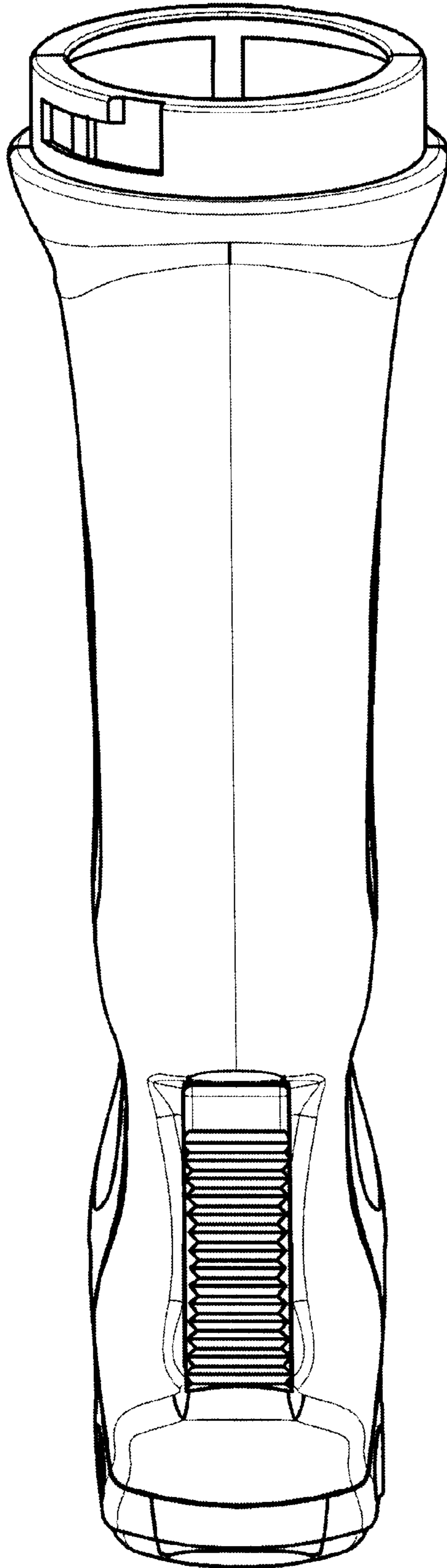


FIG. 5

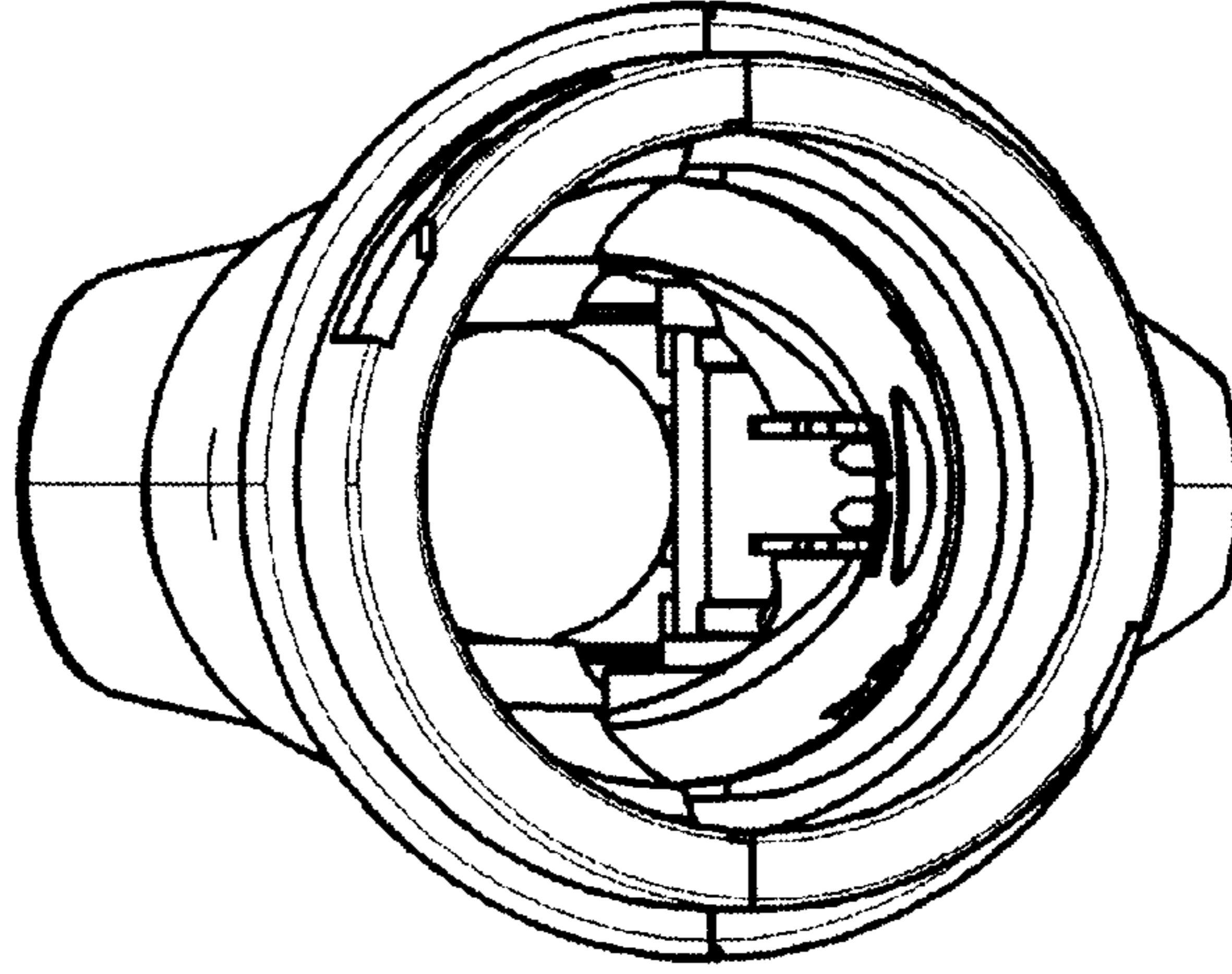


FIG. 6

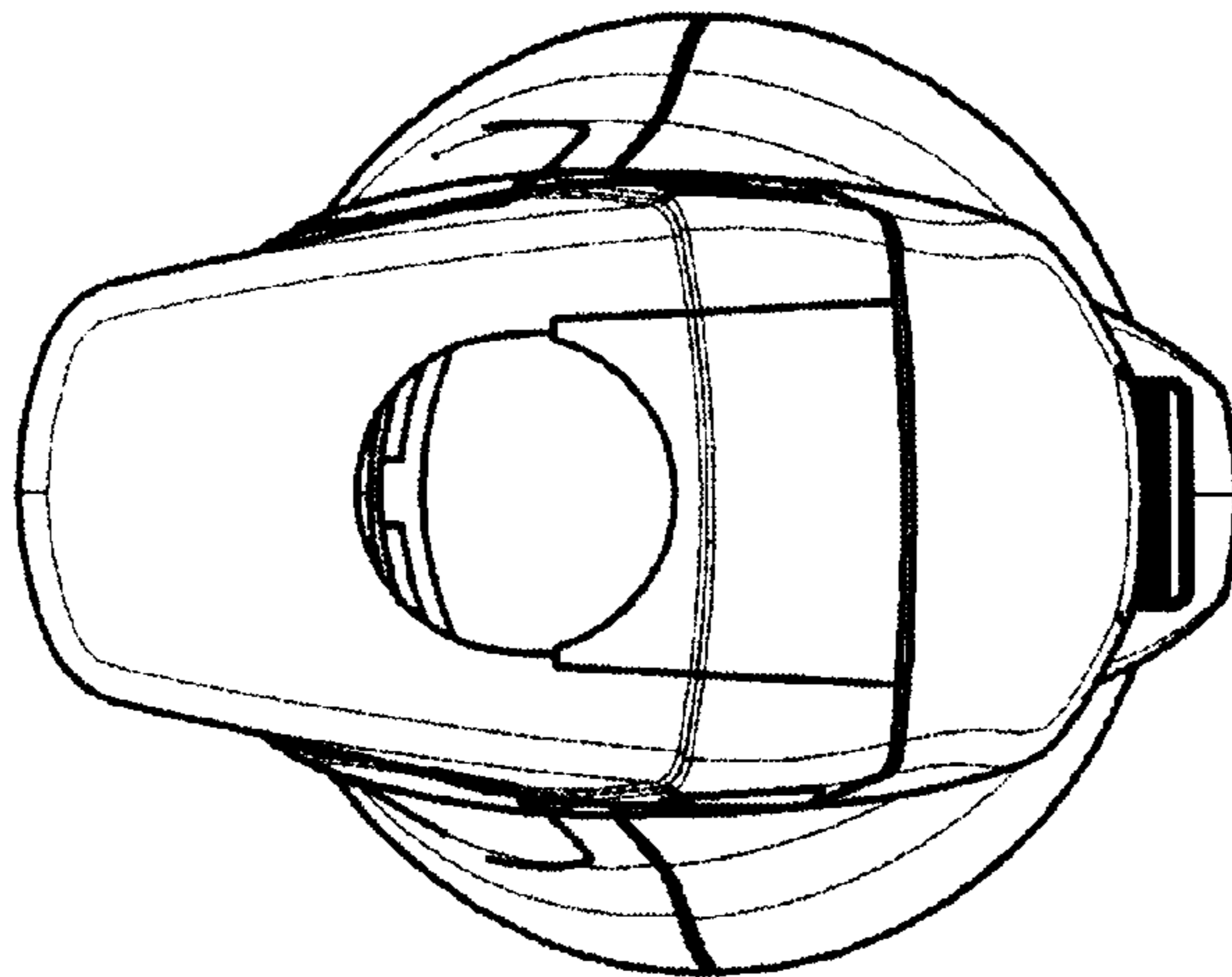


FIG. 7