



US00D532431S

(12) **United States Design Patent**
Kreuzer

(10) **Patent No.:** **US D532,431 S**

(45) **Date of Patent:** **** Nov. 21, 2006**

(54) **CONTAINER WITH EXTRUDER FOR MOLDING COMPOUND**

(75) Inventor: **Jared Kreuzer**, Providence, RI (US)

(73) Assignee: **Hasbro, Inc.**, Pawtucket, RI (US)

(**) Term: **14 Years**

(21) Appl. No.: **29/228,889**

(22) Filed: **Apr. 29, 2005**

(51) **LOC (8) Cl.** **15-09**

(52) **U.S. Cl.** **D15/135**

(58) **Field of Classification Search** D8/71;
D15/122, 135, 136; 264/328.1-328.19; 425/109,
425/112, 120, 131, 148, 173, 258, 388, 450,
425/589; 366/76.3; 466/483

See application file for complete search history.

(56) **References Cited**

U.S. PATENT DOCUMENTS

D193,310	S	*	7/1962	Jacobs	D15/135
3,157,933	A		11/1964	Boggild et al.	25/11
4,076,476	A		2/1978	Ventura	425/183
D270,162	S	*	8/1983	Kay	D15/135
4,425,091	A	*	1/1984	Prince	425/589
5,165,941	A	*	11/1992	Hawley	425/148
D343,177	S	*	1/1994	Levy et al.	D15/135
5,562,927	A		10/1996	Masuda et al.	425/98
6,319,532	B1		11/2001	Pineault	426/516
D451,524	S	*	12/2001	Morris	D15/135
6,328,549	B1	*	12/2001	Valyi et al.	425/112
6,602,066	B1		8/2003	Heayes	425/382.3
6,773,326	B1		8/2004	Jarvis	446/297
2006/0083105	A1	*	4/2006	MacDonald et al.	425/209
2006/0131788	A1	*	6/2006	Takigawa	264/328.1

OTHER PUBLICATIONS

U.S. Appl. No. 11/118,923 filed Apr. 29, 2005, and listing Jared Kreuzer as inventor (27087/41017) (26 pages).

* cited by examiner

Primary Examiner—Antoine D. Davis

Assistant Examiner—Patricia Palasik

(74) *Attorney, Agent, or Firm*—Marshall, Gerstein & Borun LLP

(57) **CLAIM**

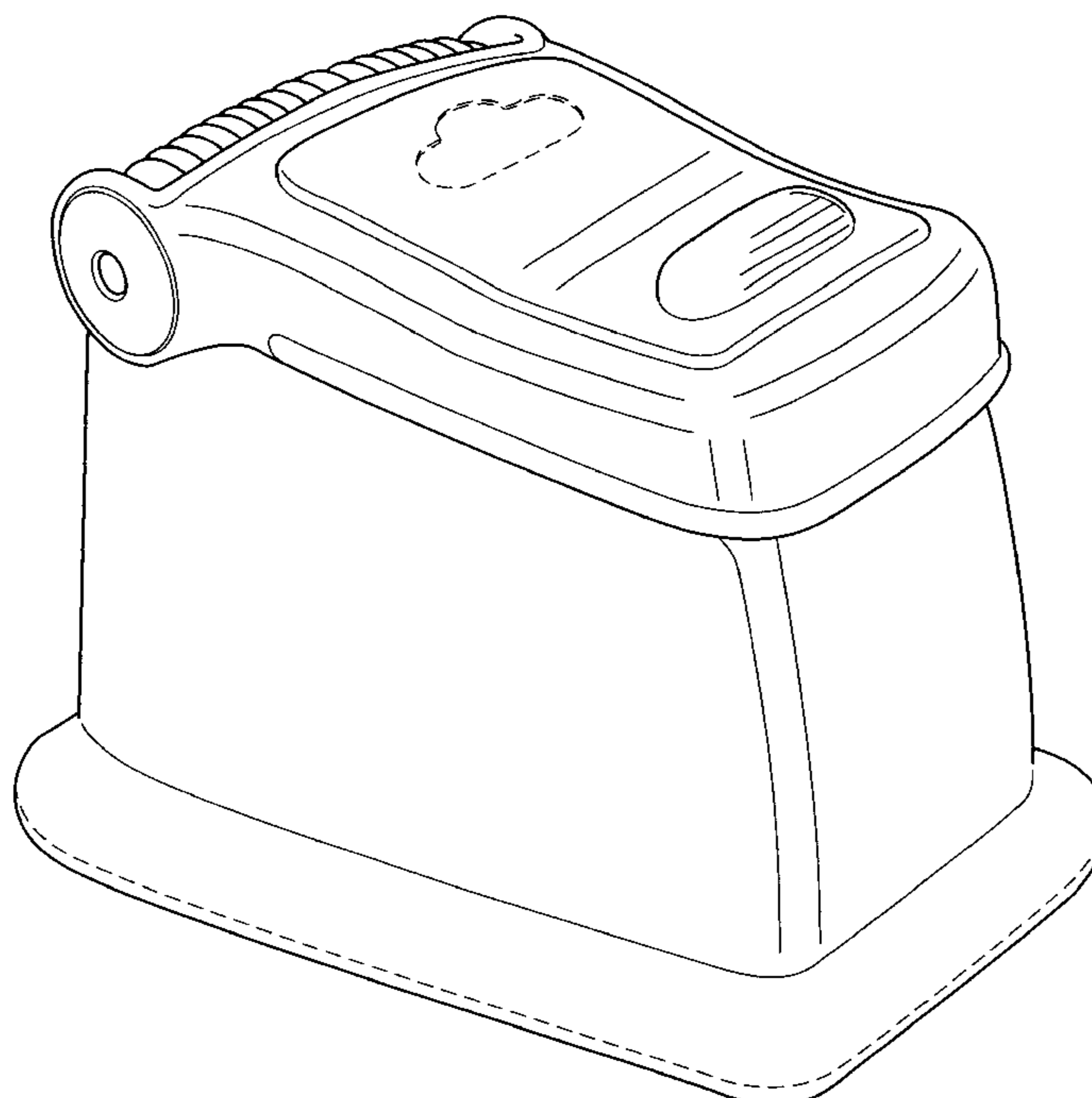
The ornamental design for a “container with extruder for molding compound,” as shown and described.

DESCRIPTION

FIG. 1 is a perspective view of an embodiment showing our new design with the lid closed;
FIG. 2 is a left side view thereof;
FIG. 3 is a right side view thereof;
FIG. 4 is a front view thereof;
FIG. 5 is a rear view thereof;
FIG. 6 is a top view thereof;
FIG. 7 is a bottom view thereof;
FIG. 8 is a perspective view of the embodiment showing our new design with the lid open;
FIG. 9 is a left side view thereof;
FIG. 10 is a right side view thereof;
FIG. 11 is a front view thereof;
FIG. 12 is a rear view thereof;
FIG. 13 is a top view thereof; and,
FIG. 14 is a bottom view thereof.

The broken line showing is for illustrative purposes only and forms no part of the claimed design.

1 Claim, 14 Drawing Sheets



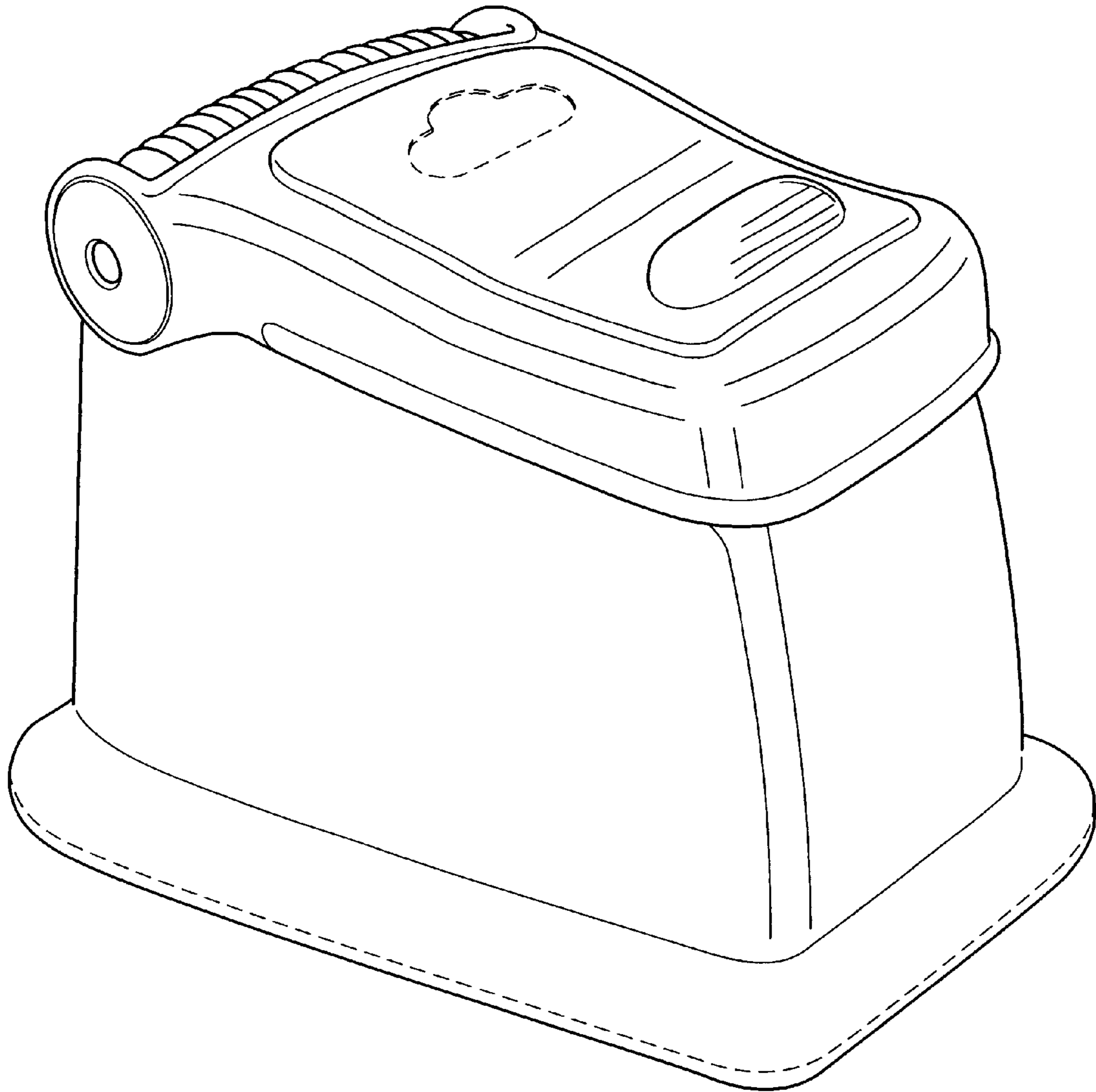


FIG. 1

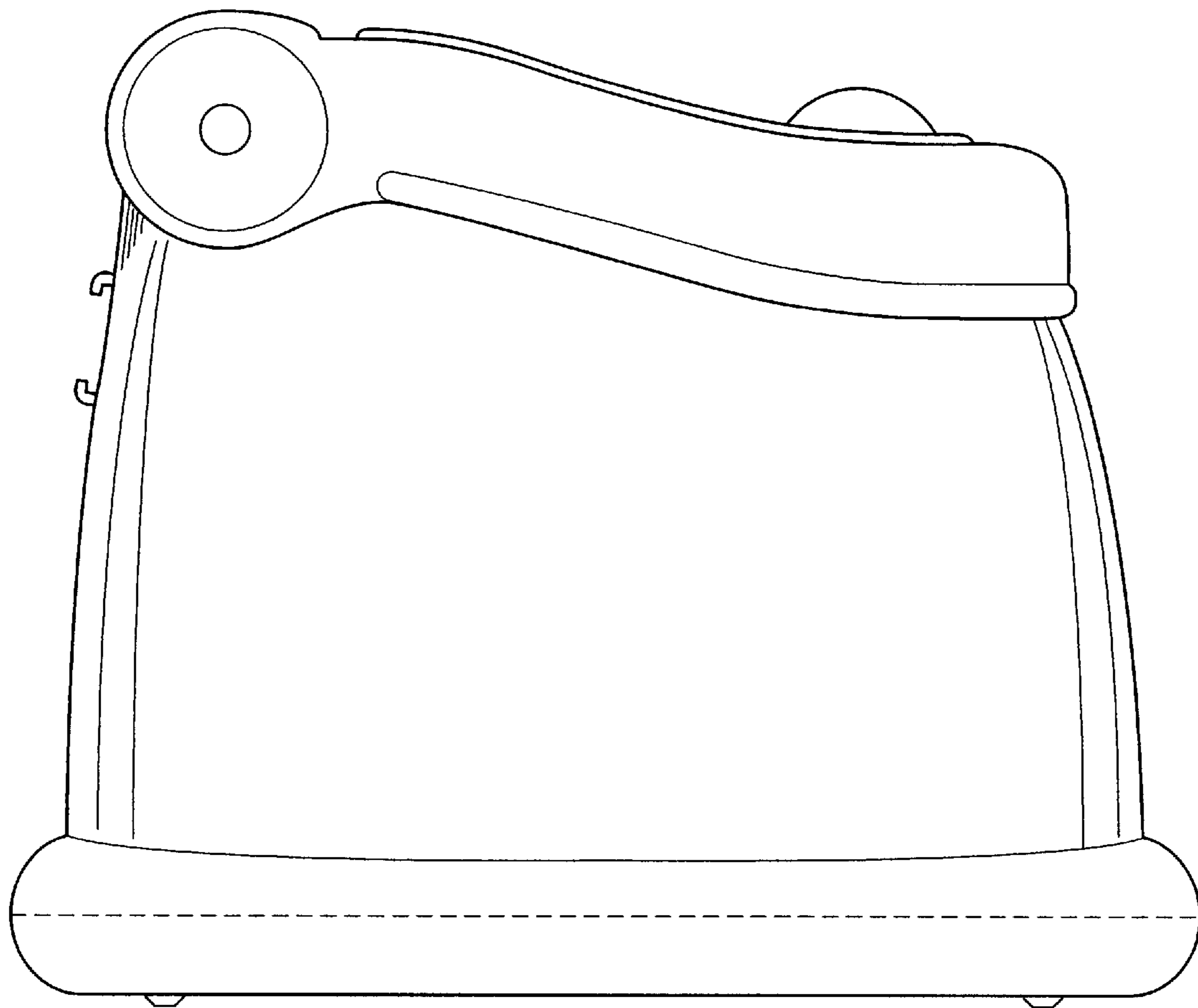


FIG. 2

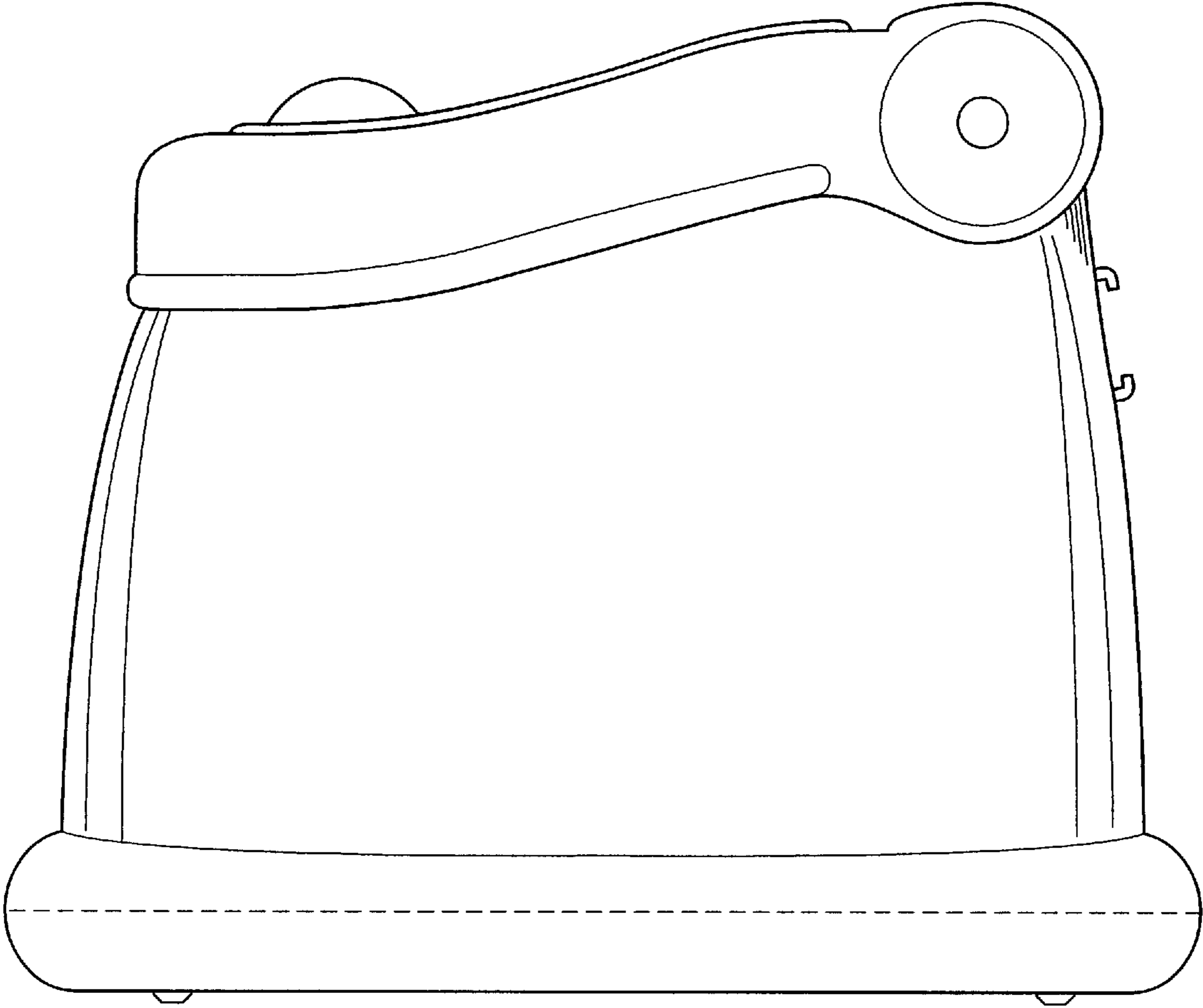


FIG. 3

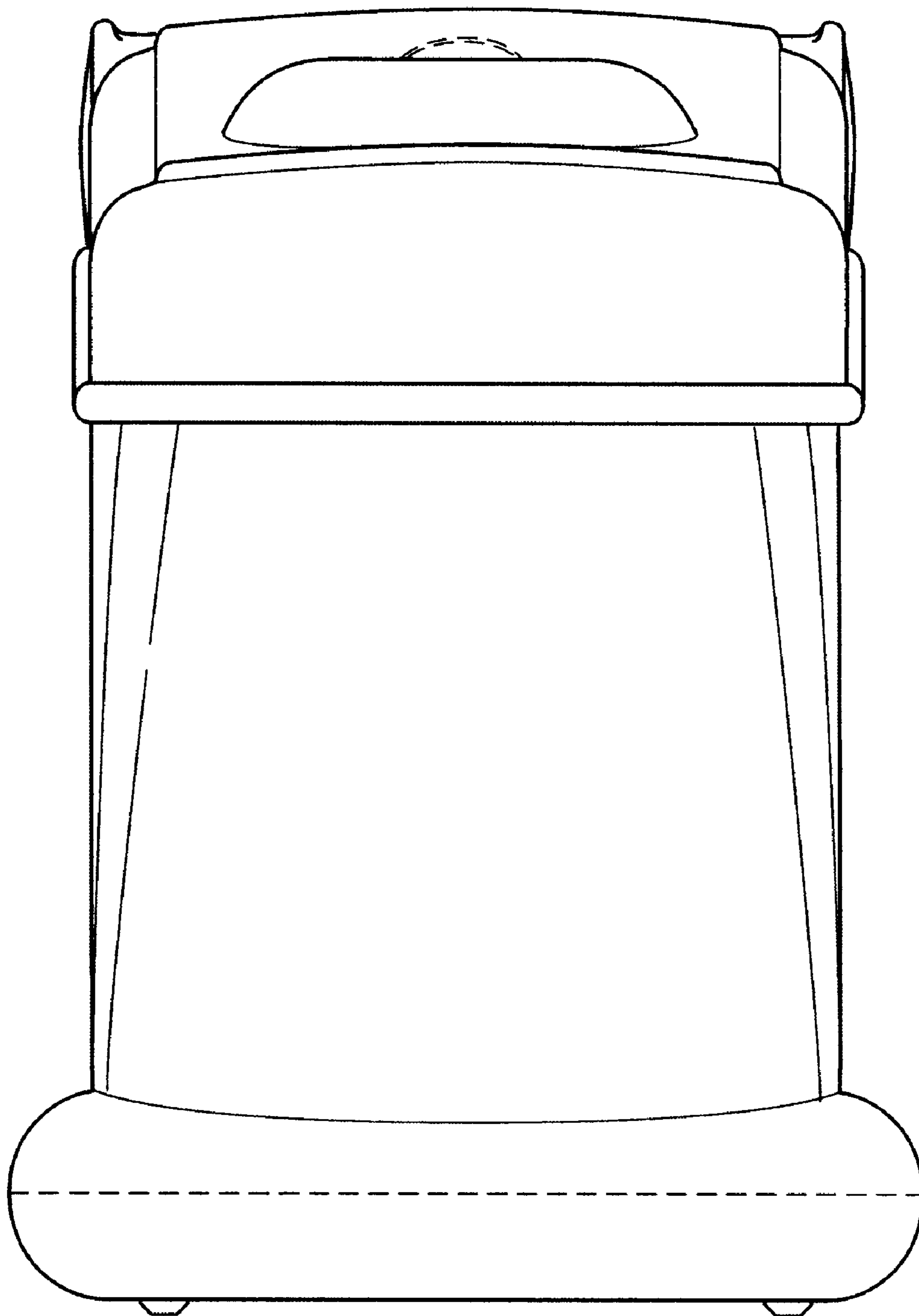


FIG. 4

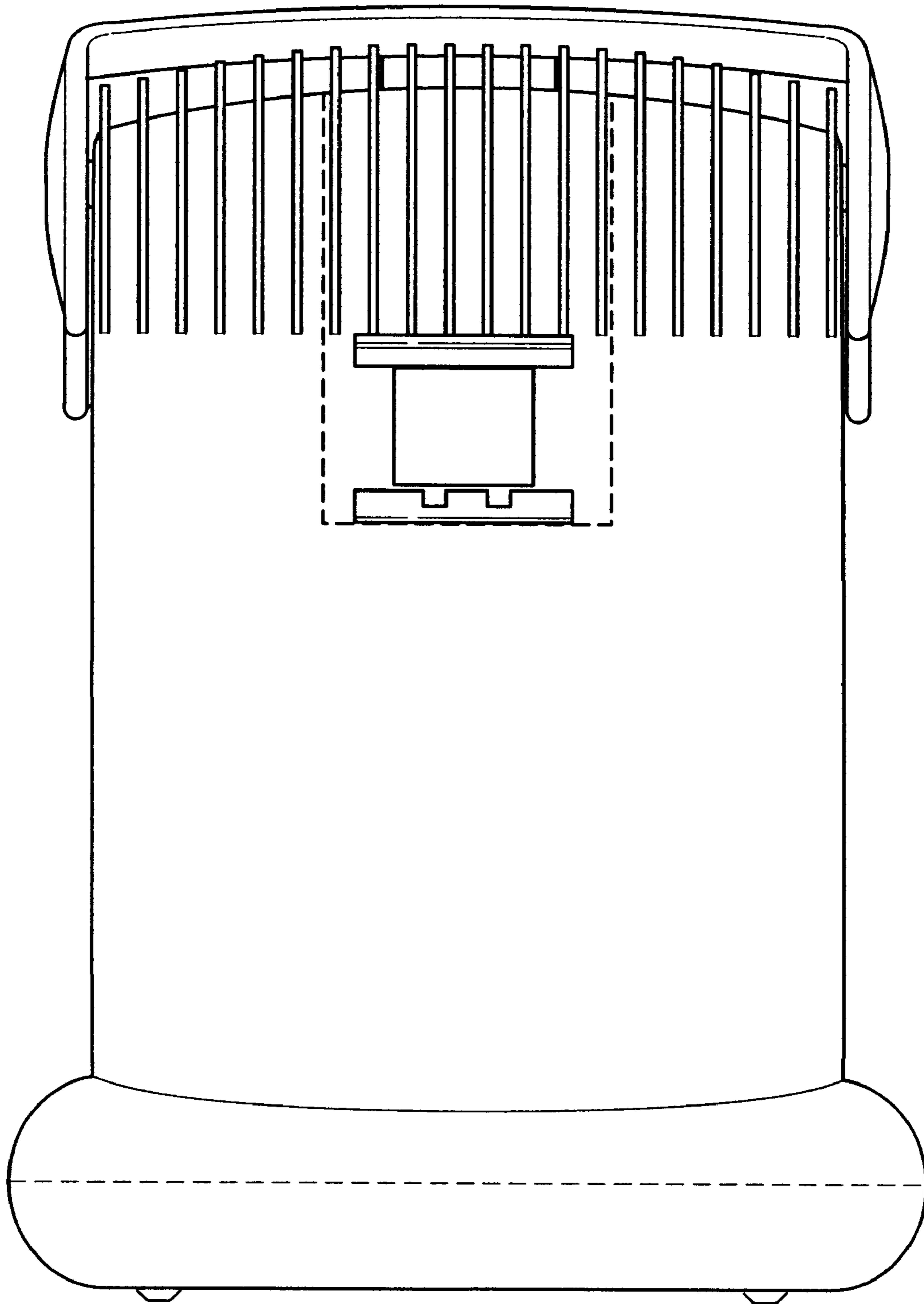


FIG. 5

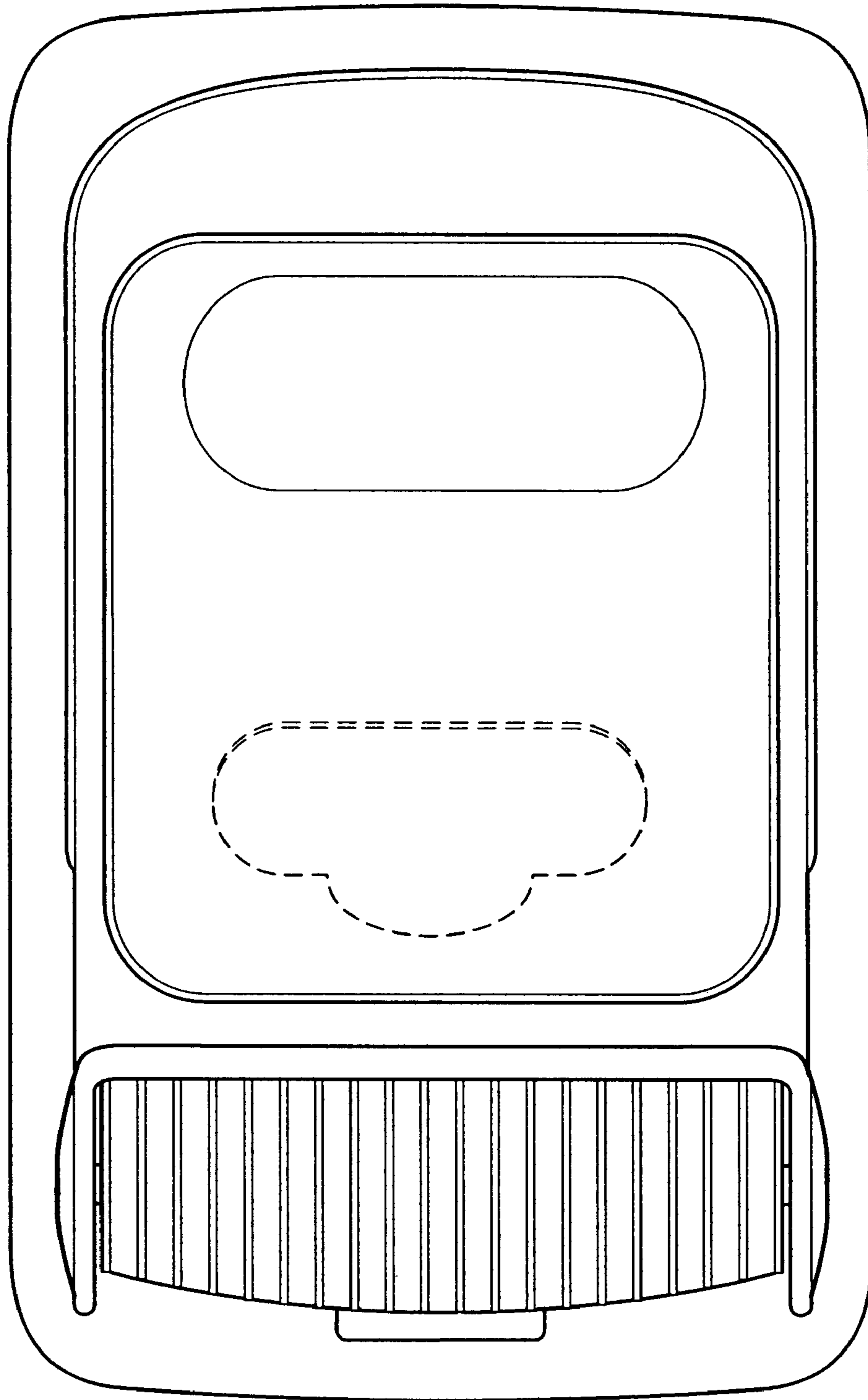


FIG. 6

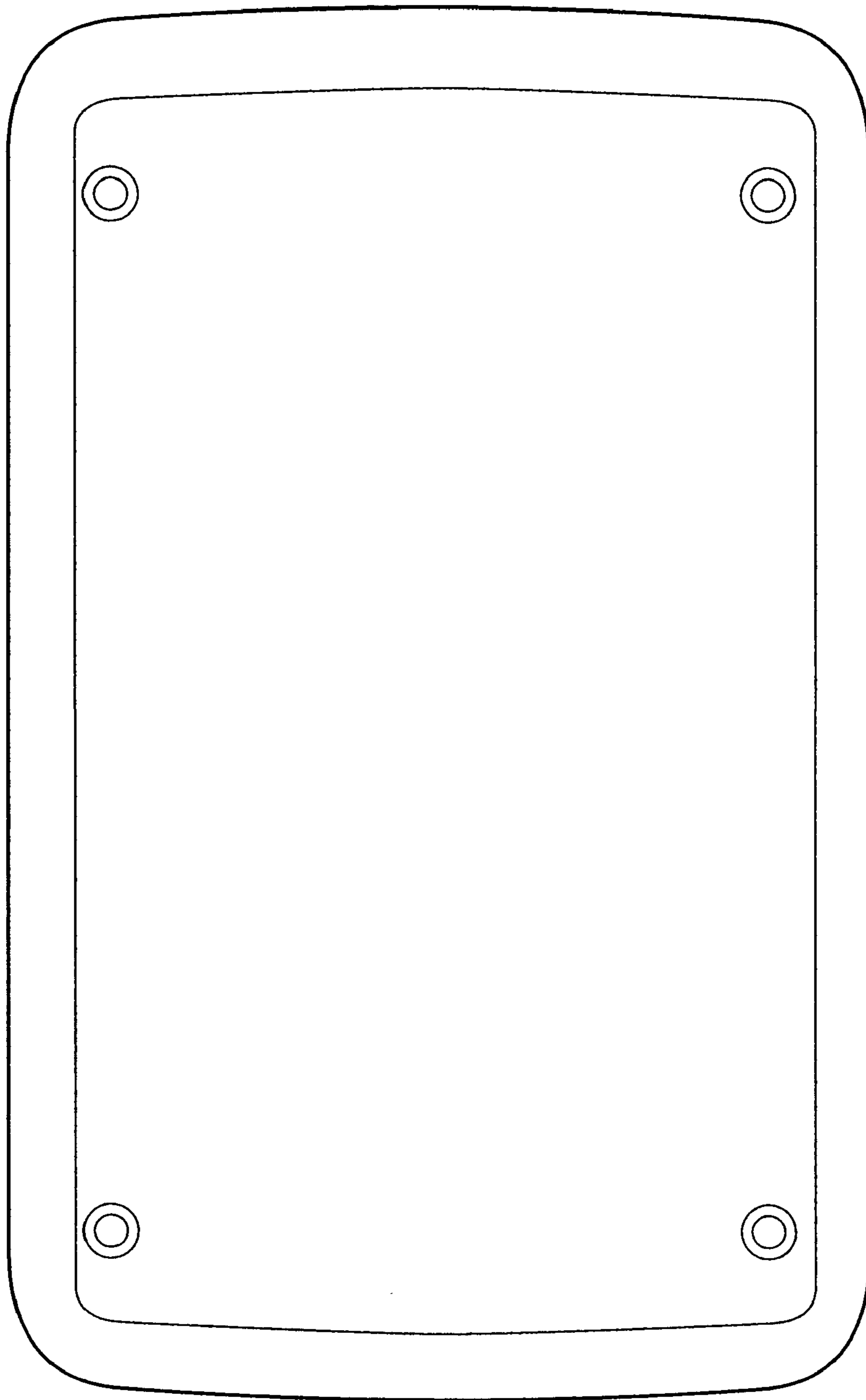


FIG. 7

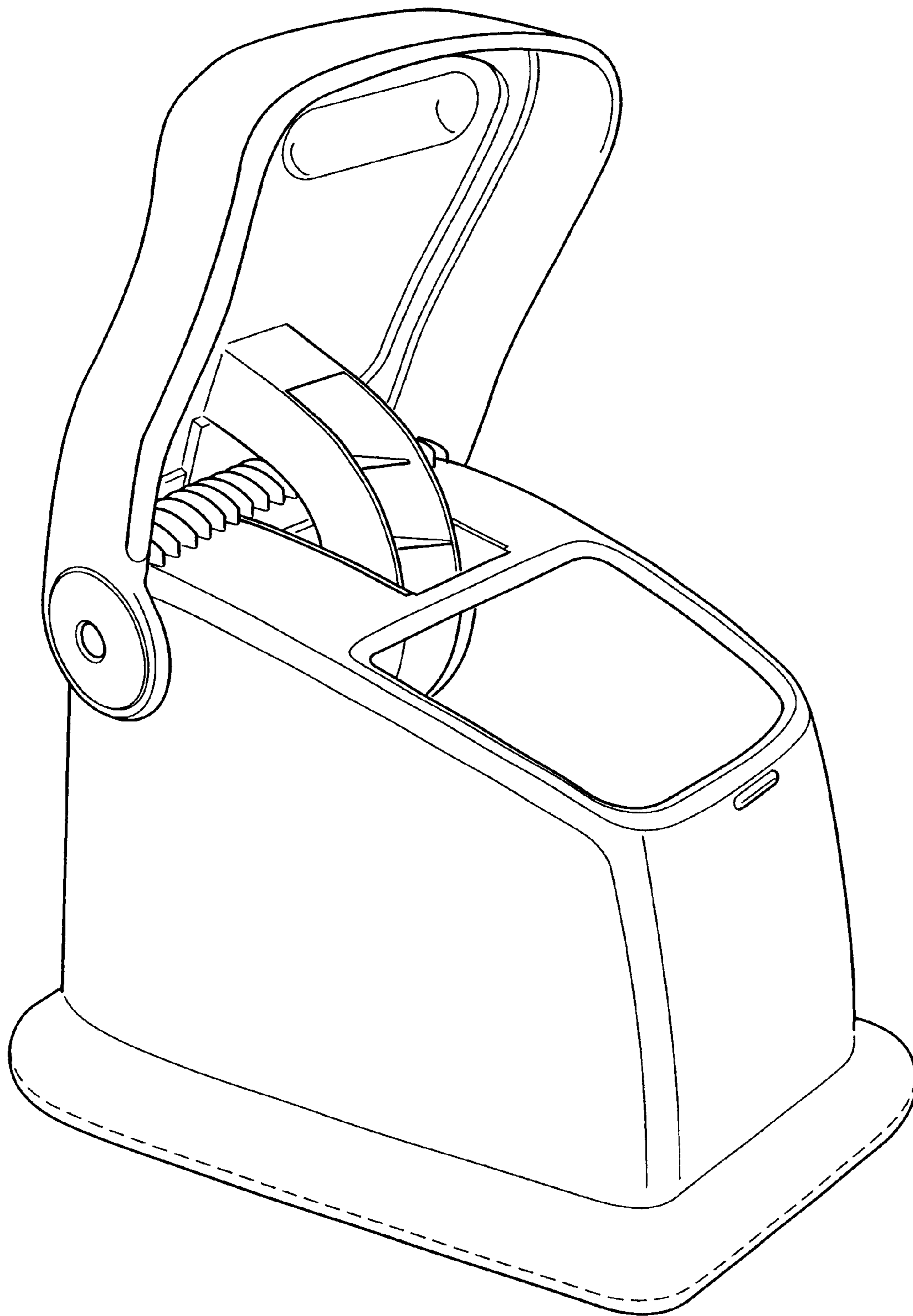


FIG. 8

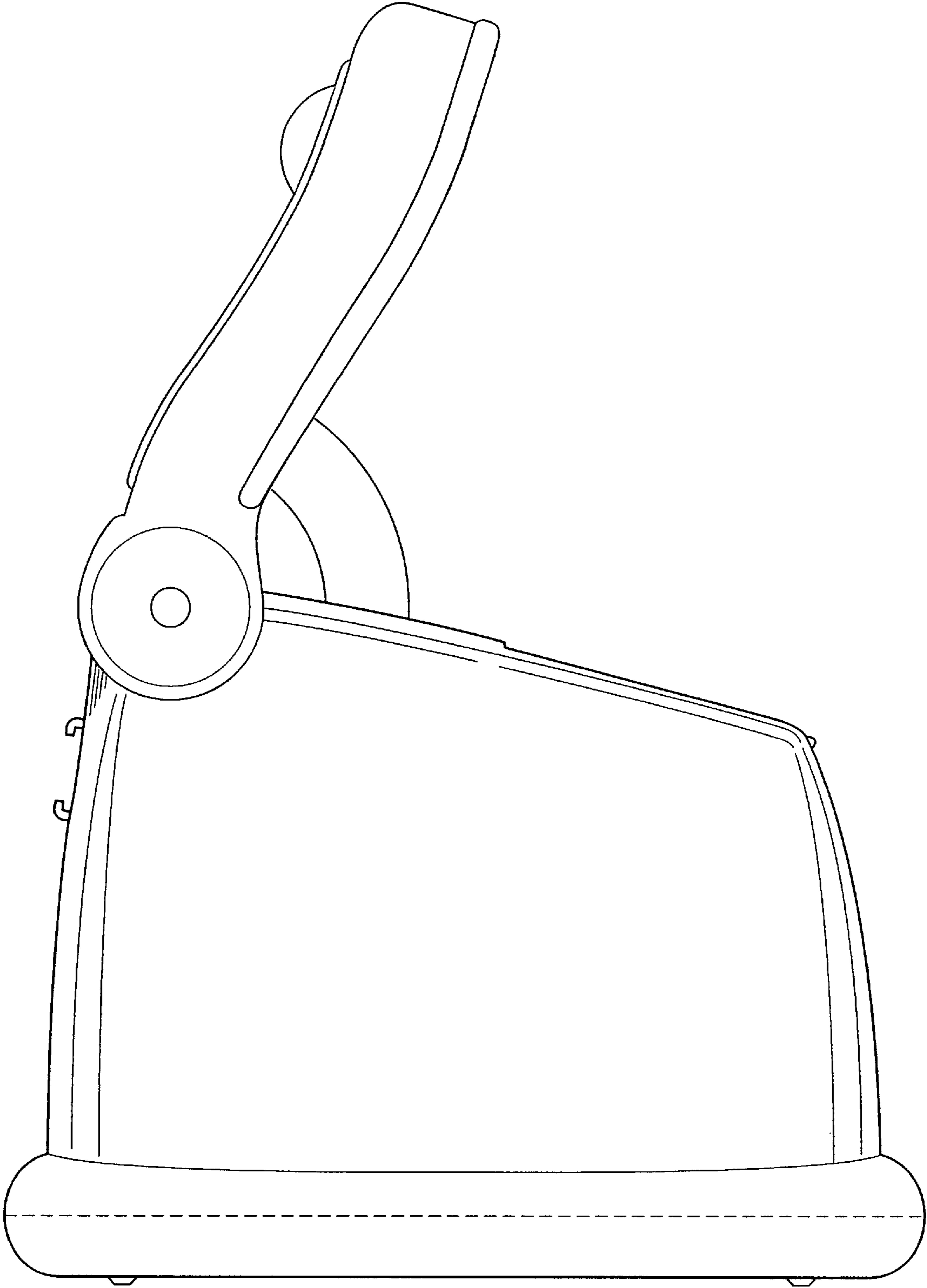


FIG. 9

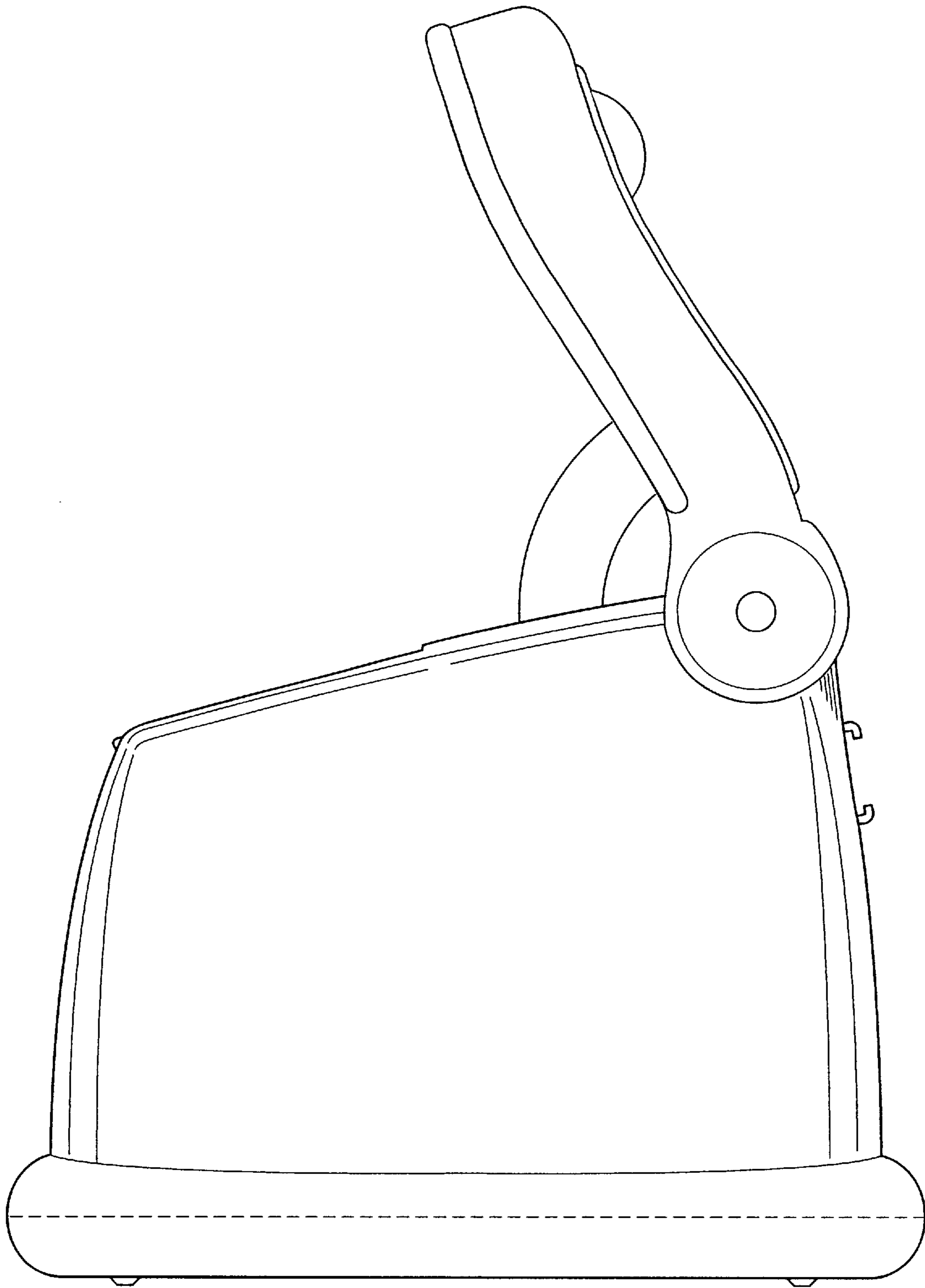


FIG. 10

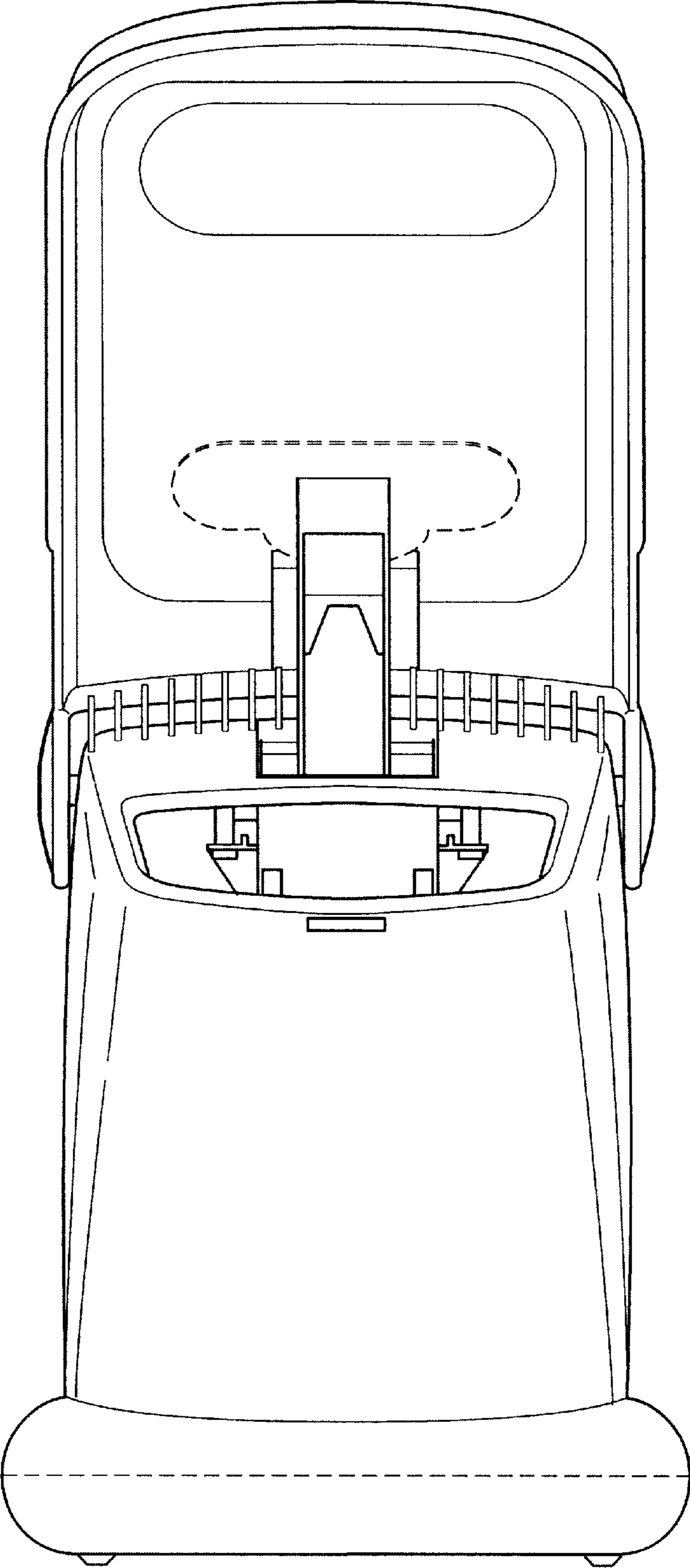


FIG. 11

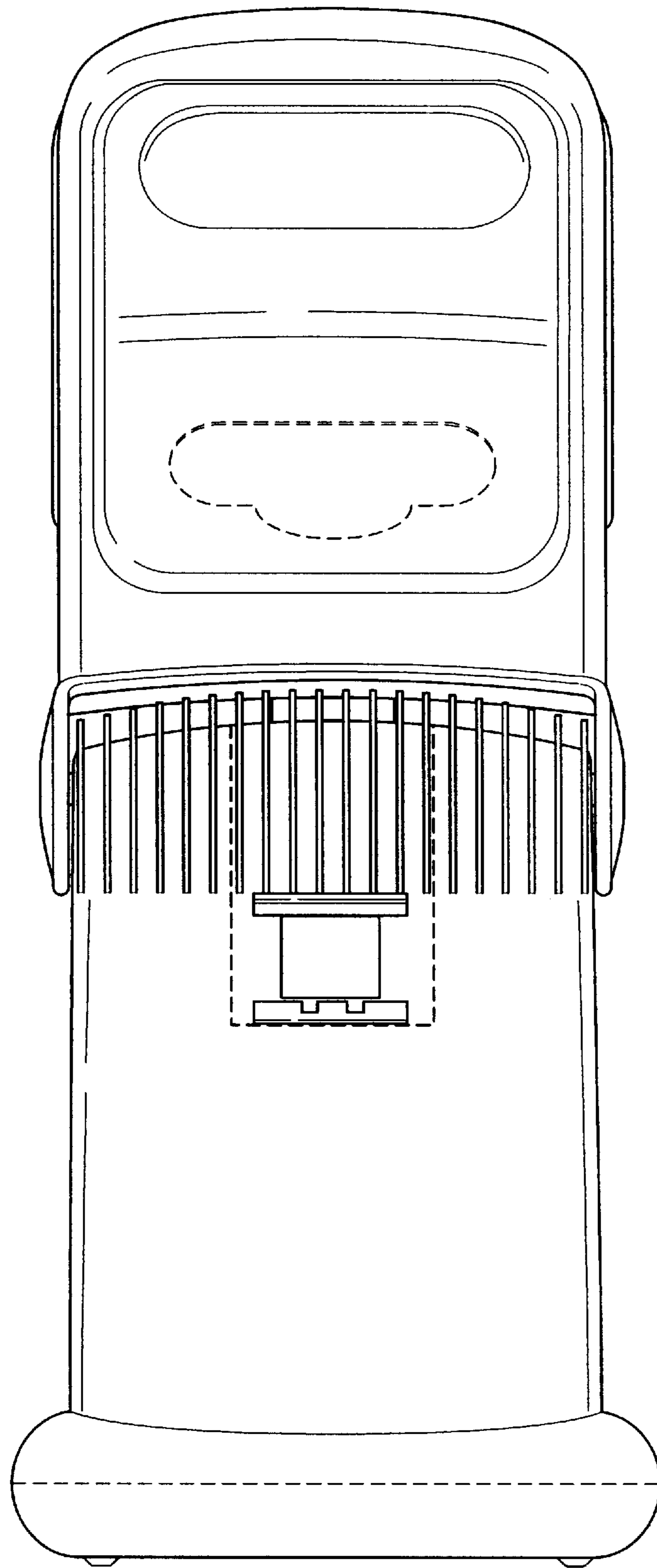


FIG. 12

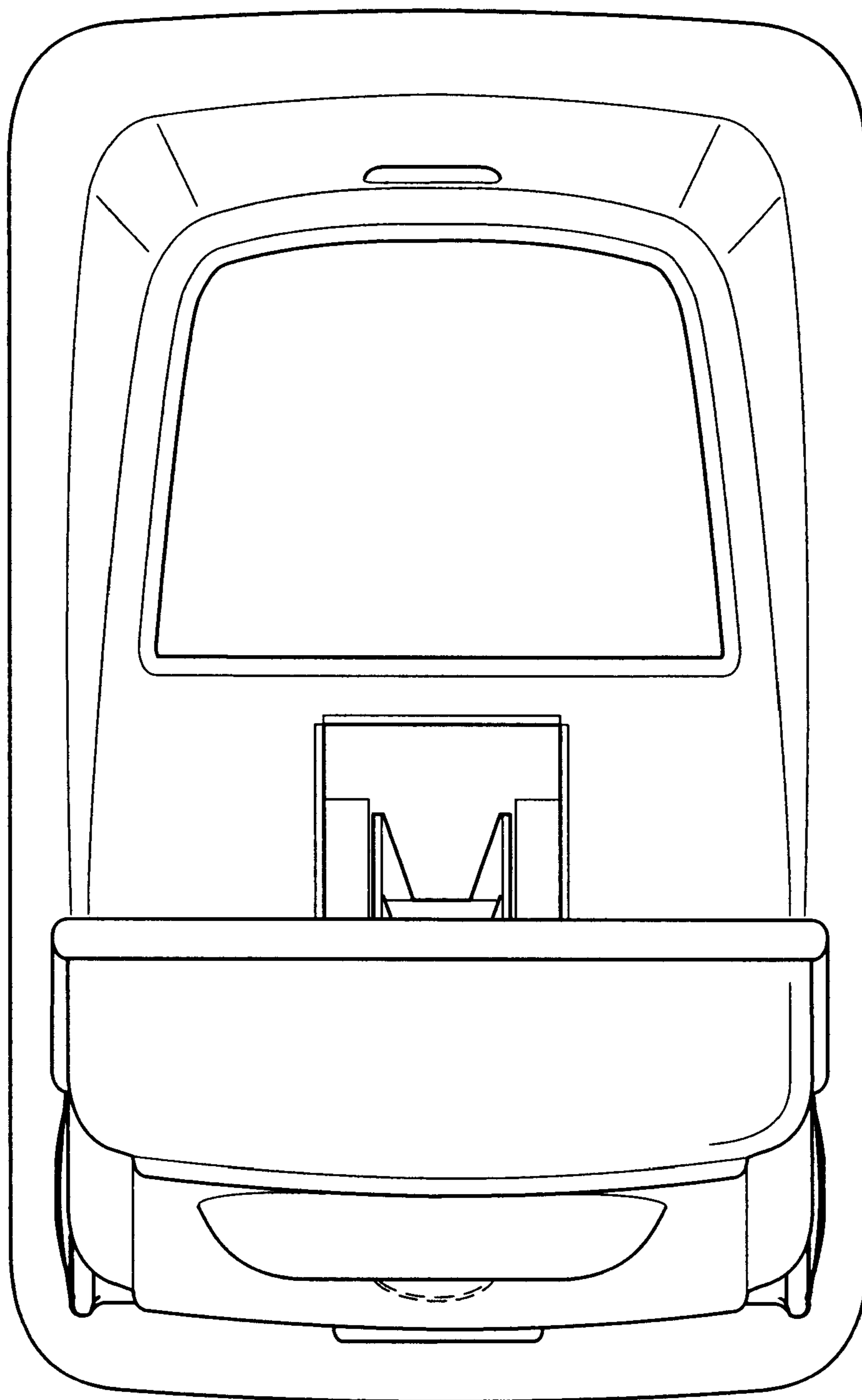


FIG. 13

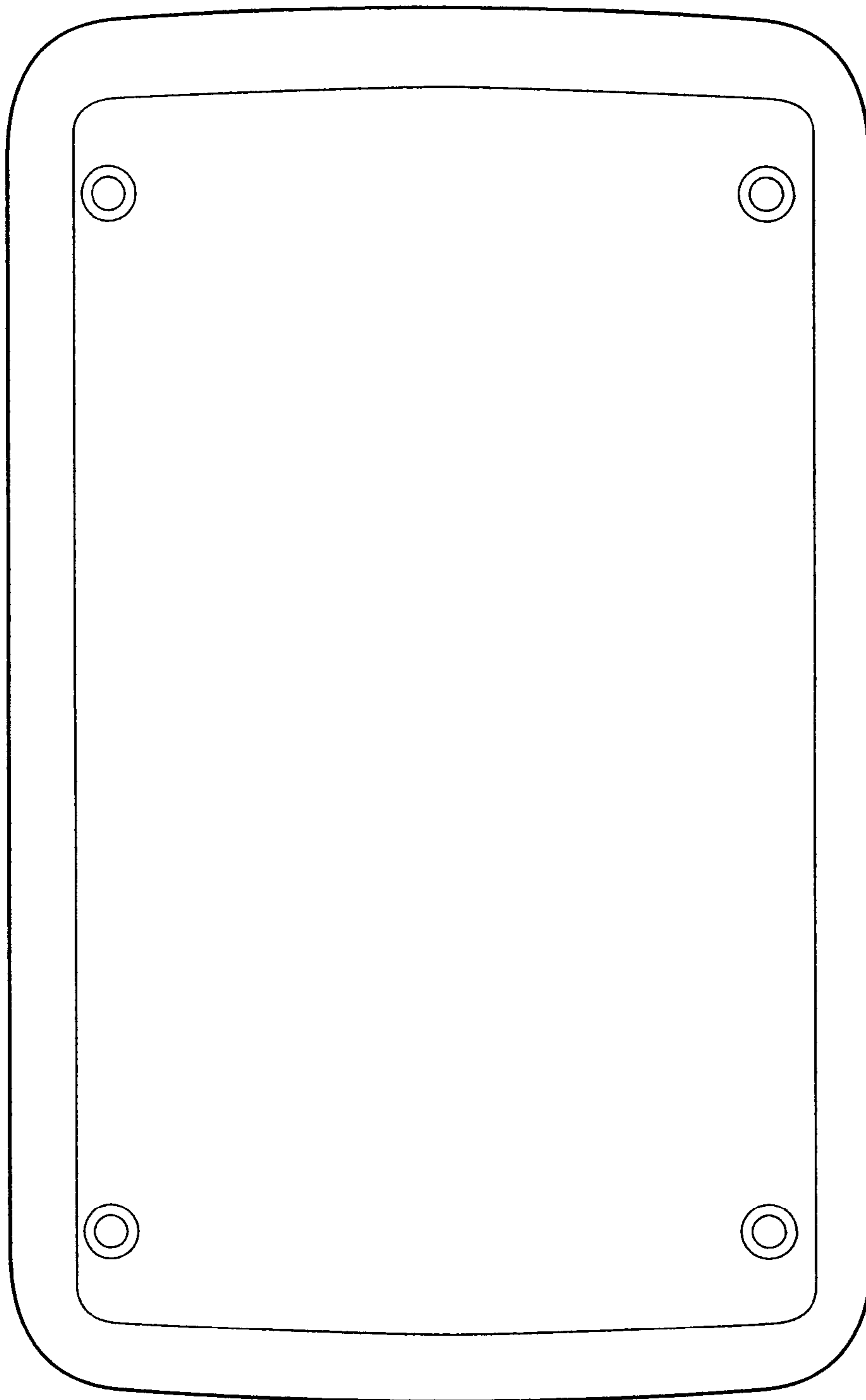


FIG. 14