

US00D532430S

(12) **United States Design Patent**
Firth

(10) **Patent No.:** **US D532,430 S**

(45) **Date of Patent:** **** *Nov. 21, 2006**

(54) **MITRE SAW**

454,577 A * 6/1891 Meredith et al. 105/243
459,373 A * 9/1891 Hollinger et al. 79/2
D346,173 S * 4/1994 Price D15/133

(75) Inventor: **Robert Firth**, Clifton Moor (GB)

(73) Assignee: **GMCA Pty Ltd.**, Victoria (AU)

* cited by examiner

(*) Notice: This patent is subject to a terminal disclaimer.

Primary Examiner—Antoine D. Davis
Assistant Examiner—Patricia Palasik
(74) *Attorney, Agent, or Firm*—McKee, Voorhees & Sease, P.L.C.

(**) Term: **14 Years**

(21) Appl. No.: **29/230,398**

(22) Filed: **May 20, 2005**

(57) **CLAIM**

I claim the ornamental design for a mitre saw, substantially as shown.

(30) **Foreign Application Priority Data**

Mar. 11, 2005 (EM) 000310008

DESCRIPTION

(51) **LOC (8) Cl.** **15-09**

(52) **U.S. Cl.** **D15/133**

(58) **Field of Classification Search** D15/133;
83/581, 472, 477.1-477.2, 471.2-471.3;
30/377-378, 388-391, 517-525

FIG. 1 is a front view of the mitre saw.
FIG. 2 is a side view of the mitre saw.
FIG. 3 is an opposite side view of the mitre saw.
FIG. 4 is a back view of the mitre saw; and,
FIG. 5 is a top view of the mitre saw.

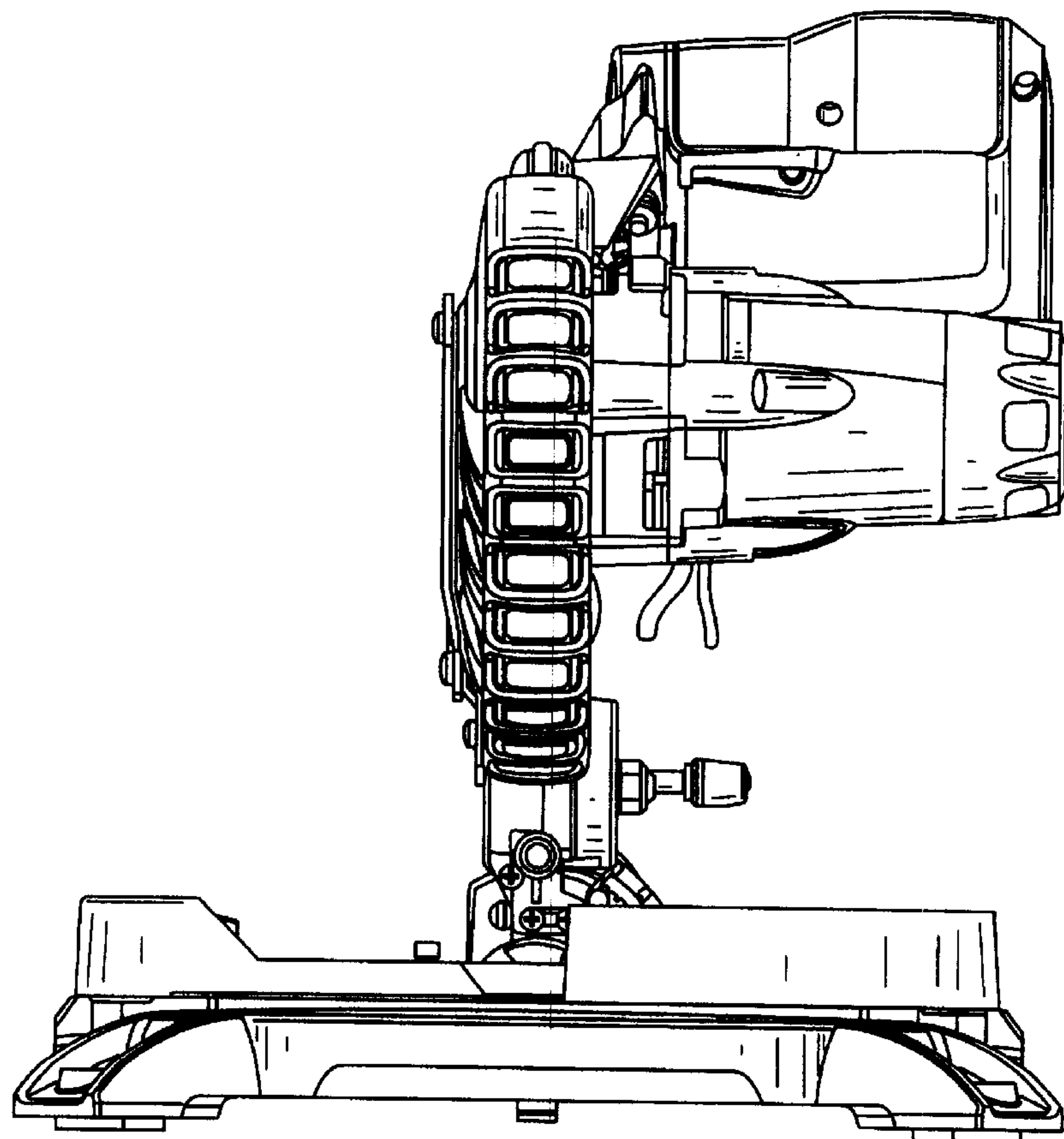
See application file for complete search history.

(56) **References Cited**

U.S. PATENT DOCUMENTS

366,491 A * 7/1887 Chang 177/232

1 Claim, 5 Drawing Sheets



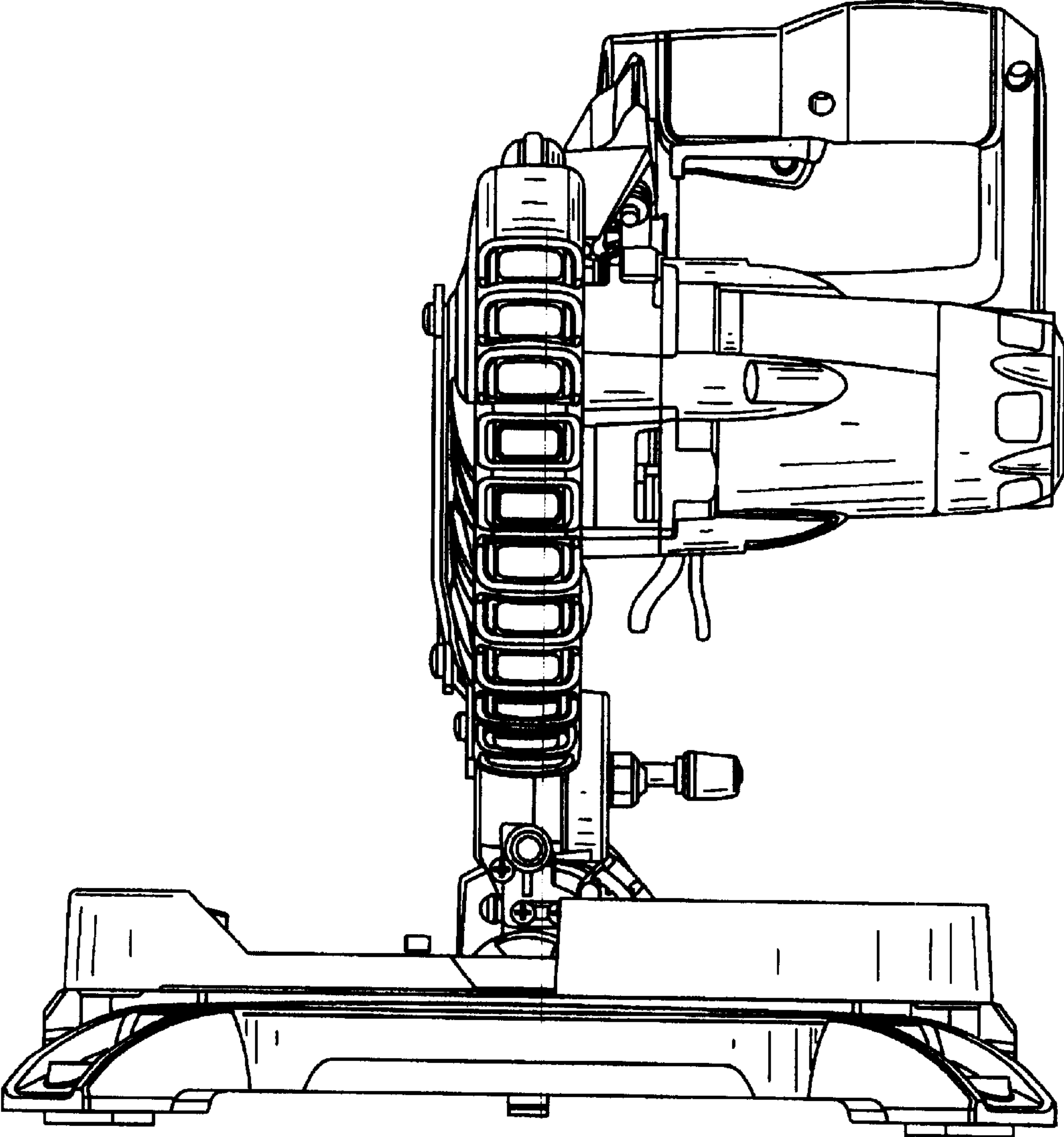


FIG. 1

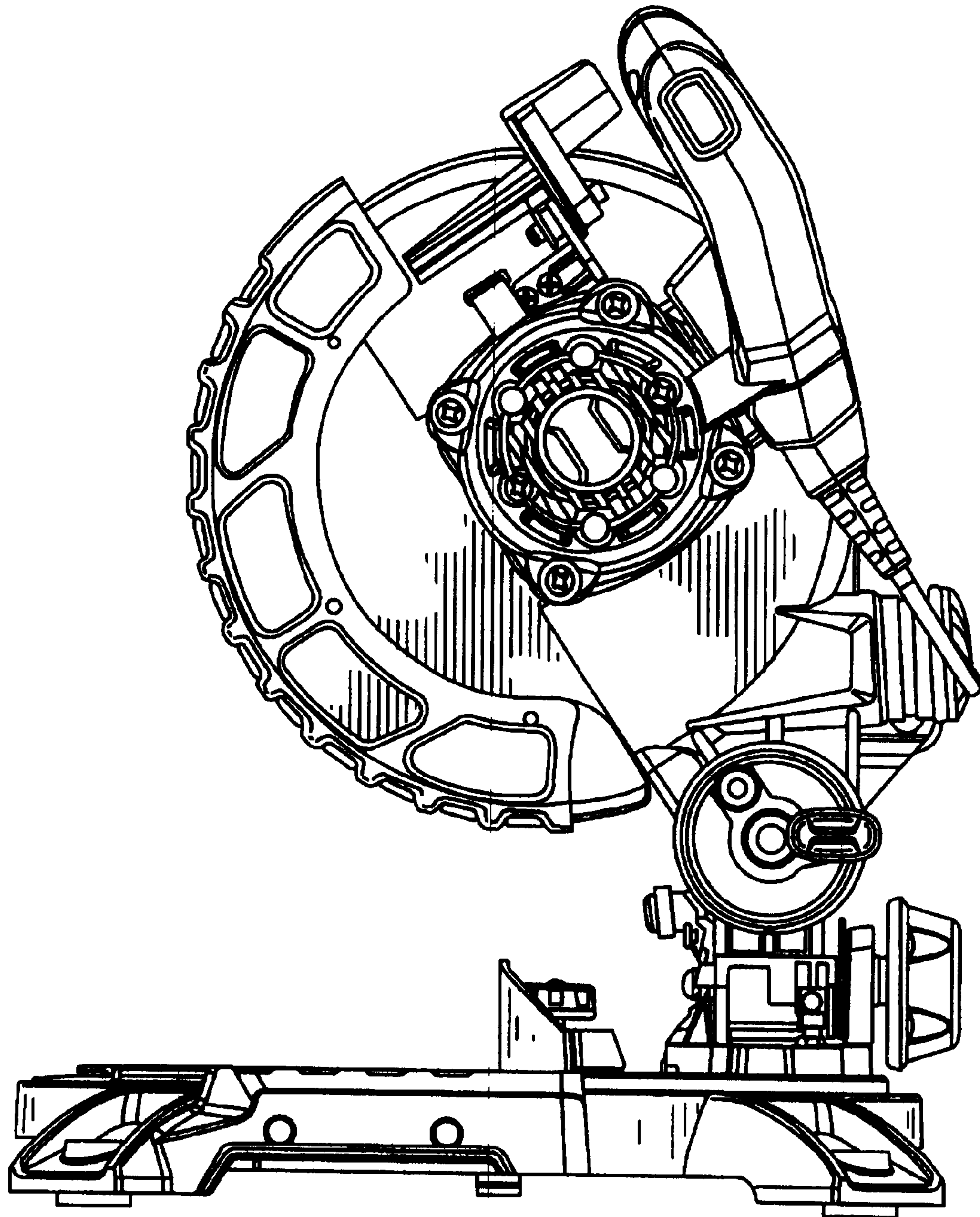


FIG. 2

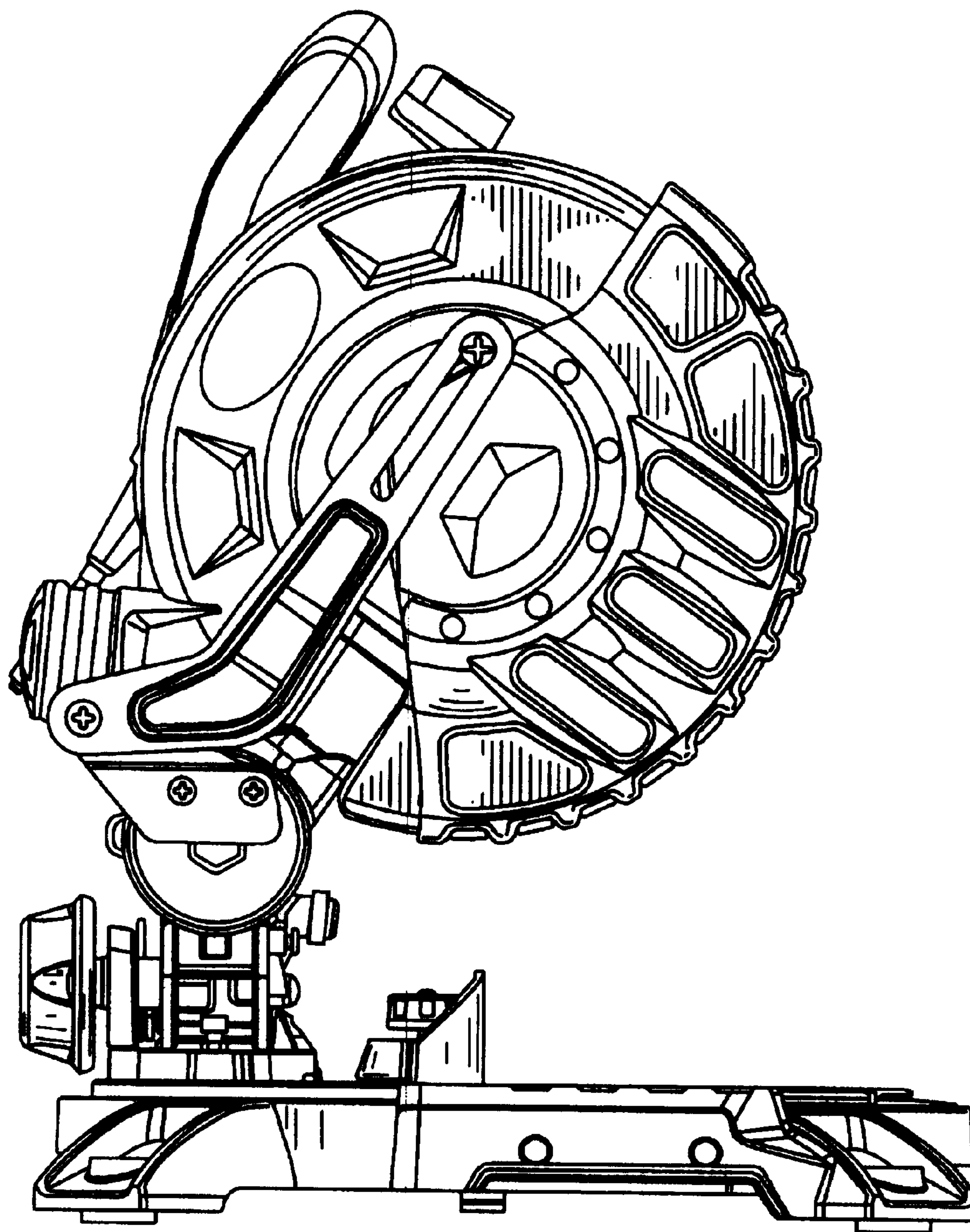


FIG. 3

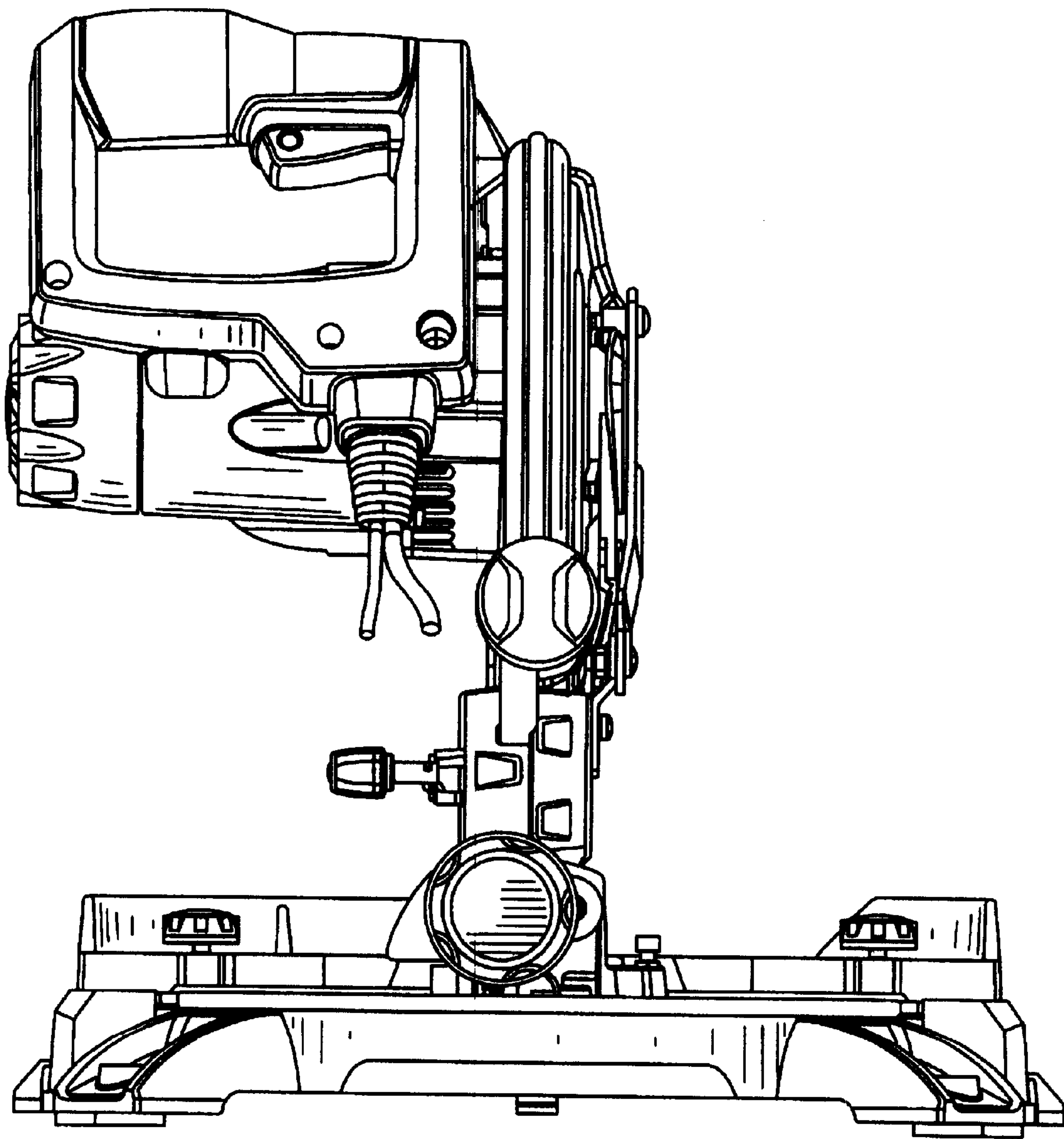


FIG. 4

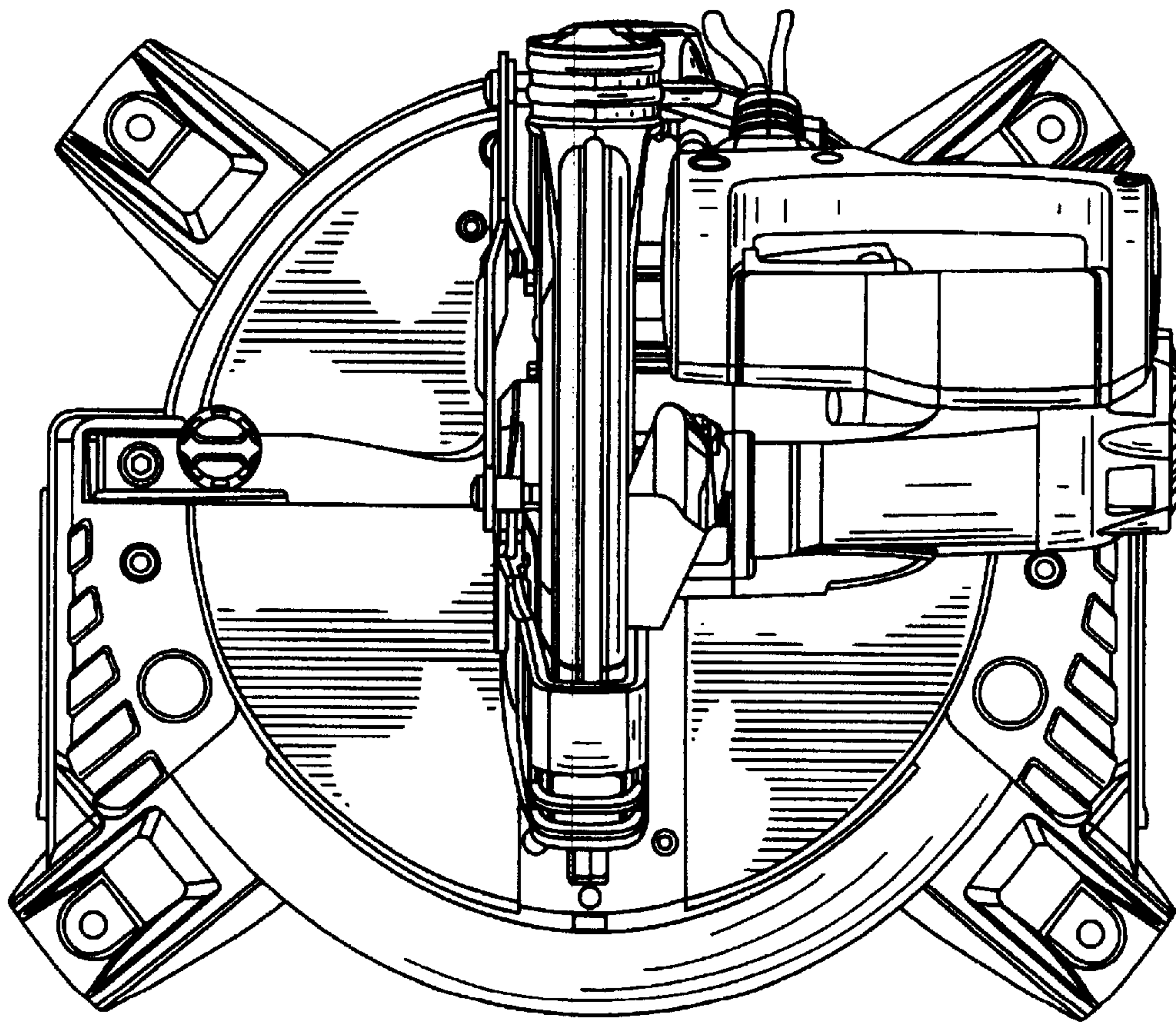


FIG. 5