



US00D532429S

(12) **United States Design Patent**
Debontridder

(10) **Patent No.:** **US D532,429 S**

(45) **Date of Patent:** **** Nov. 21, 2006**

(54) **REFRIGERATOR**

(75) Inventor: **Lutgard Debontridder**, Roeselare (BE)

(73) Assignee: **North Atlantic Patent & Investment Holding S.A.**, Luxemburg (LU)

(**) Term: **14 Years**

(21) Appl. No.: **29/252,478**

(22) Filed: **Jan. 23, 2006**

(30) **Foreign Application Priority Data**

Jul. 22, 2005 (EM) 000376942

(51) **LOC (8) Cl.** **15-07**

(52) **U.S. Cl.** **D15/81**

(58) **Field of Classification Search** D15/79-82,
D15/85-88; 62/3.1, 3.63, 389, 391, 440;
312/116, 138.1, 401, 402, 404, 405, 405.1
See application file for complete search history.

(56) **References Cited**

U.S. PATENT DOCUMENTS

- D256,923 S * 9/1980 Mullins, Jr. D15/80
- D265,203 S * 6/1982 Lents D15/80
- D271,496 S * 11/1983 Lents D15/80
- D342,744 S * 12/1993 Renner D15/81
- D364,175 S * 11/1995 Alpers et al. D15/82

- D421,027 S * 2/2000 Strandell et al. D15/80
- D442,973 S * 5/2001 Strandell et al. D15/80
- D448,391 S * 9/2001 Stauffer et al. D15/79
- D452,869 S * 1/2002 Ma et al. D15/81
- D453,169 S * 1/2002 Ma et al. D15/81
- D460,466 S * 7/2002 Ma et al. D15/79
- D463,464 S * 9/2002 Strandell et al. D15/80

* cited by examiner

Primary Examiner—Mitchell Siegel

Assistant Examiner—Shanda C. Hill

(74) *Attorney, Agent, or Firm*—Kirschstein, et al.

(57) **CLAIM**

The ornamental design for a refrigerator, as shown and described.

DESCRIPTION

FIG. 1 is a perspective view of a refrigerator according to my new design;

FIG. 2 is a top plan view thereof;

FIG. 3 is a left side elevational view thereof;

FIG. 4 is a front elevational view thereof;

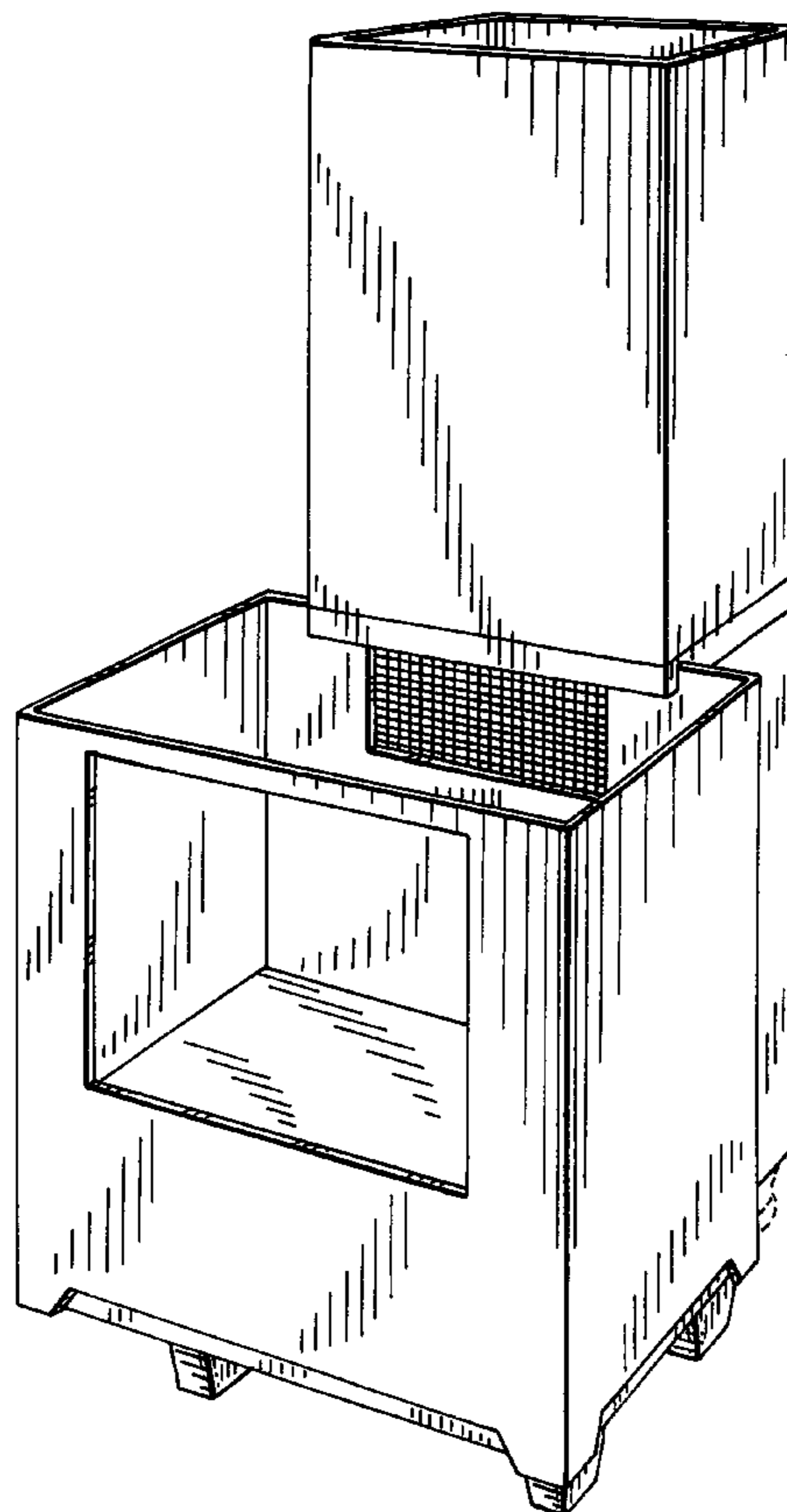
FIG. 5 is a right side elevational view thereof;

FIG. 6 is a rear elevational view thereof; and,

FIG. 7 is a bottom plan view thereof.

The broken lines throughout the views are for environmental purposes and form no part of this invention.

1 Claim, 4 Drawing Sheets



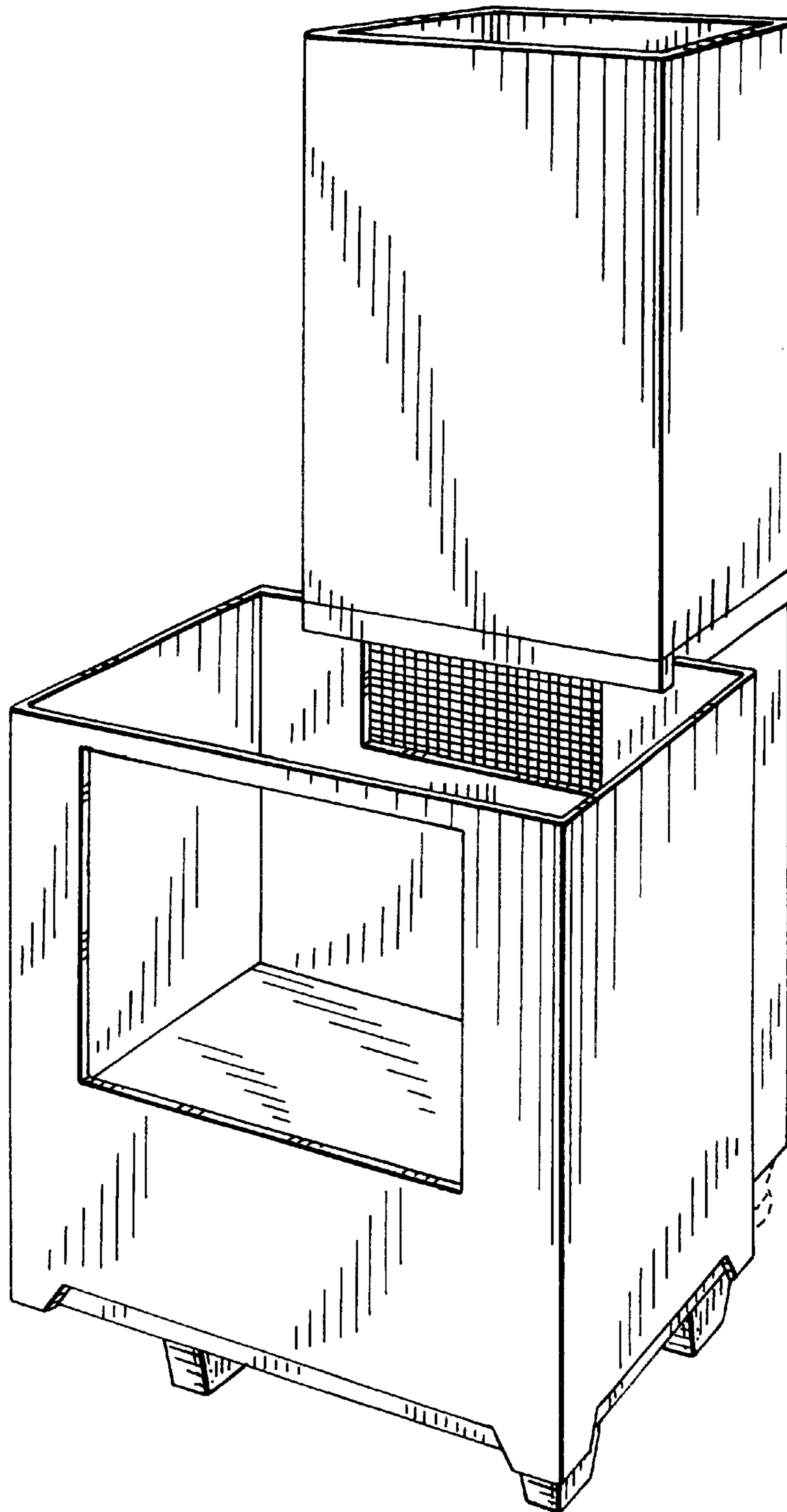
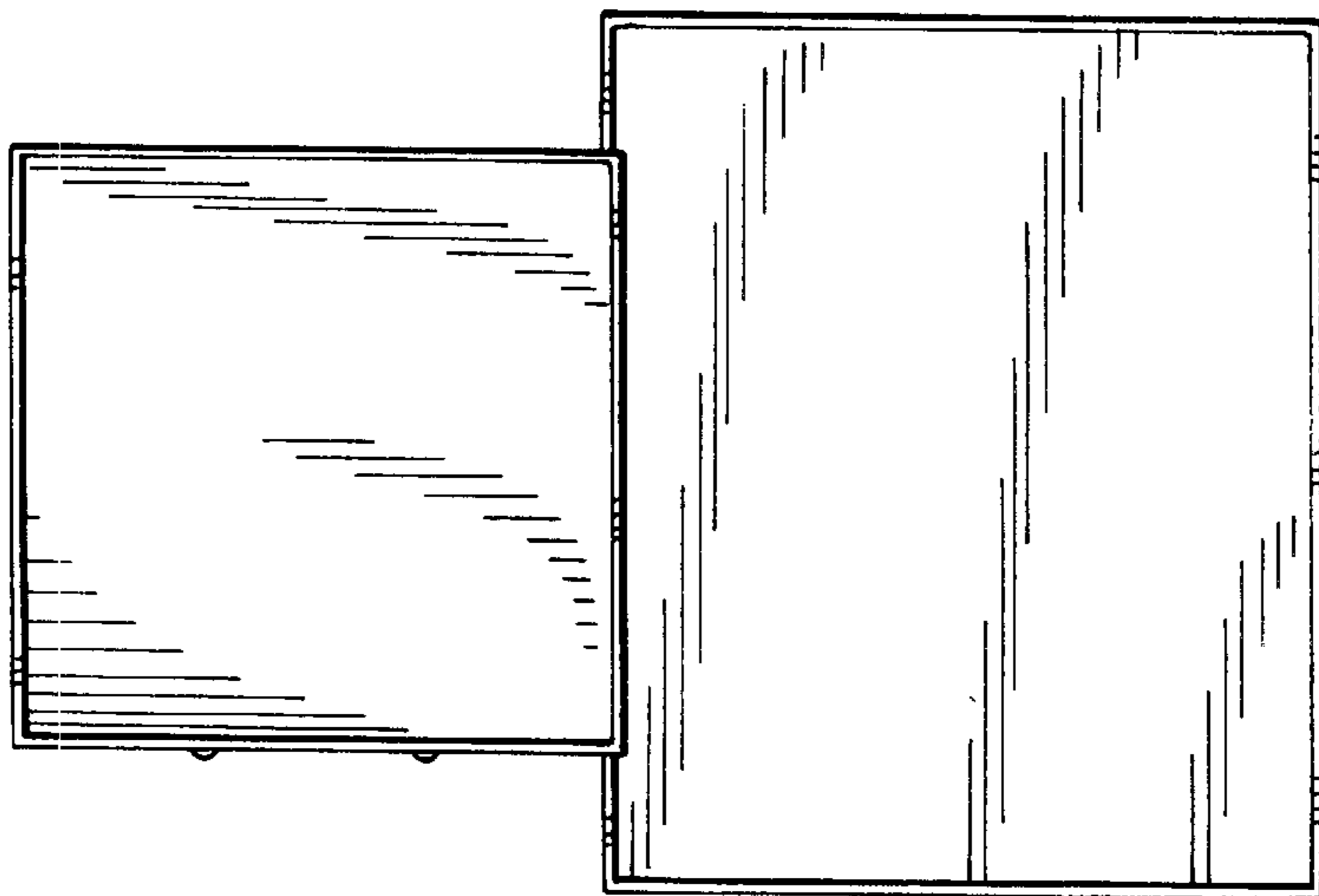
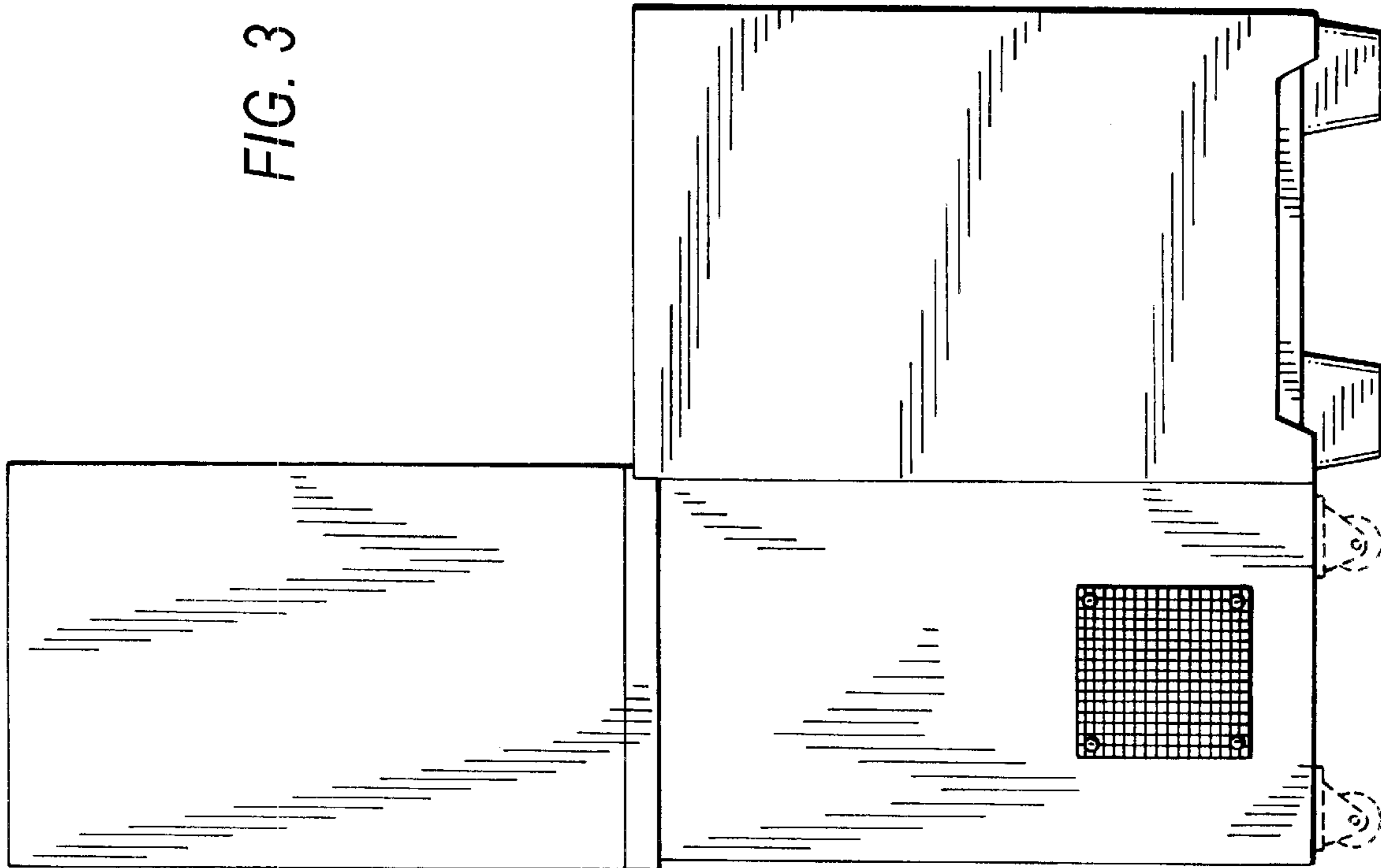


FIG. 1



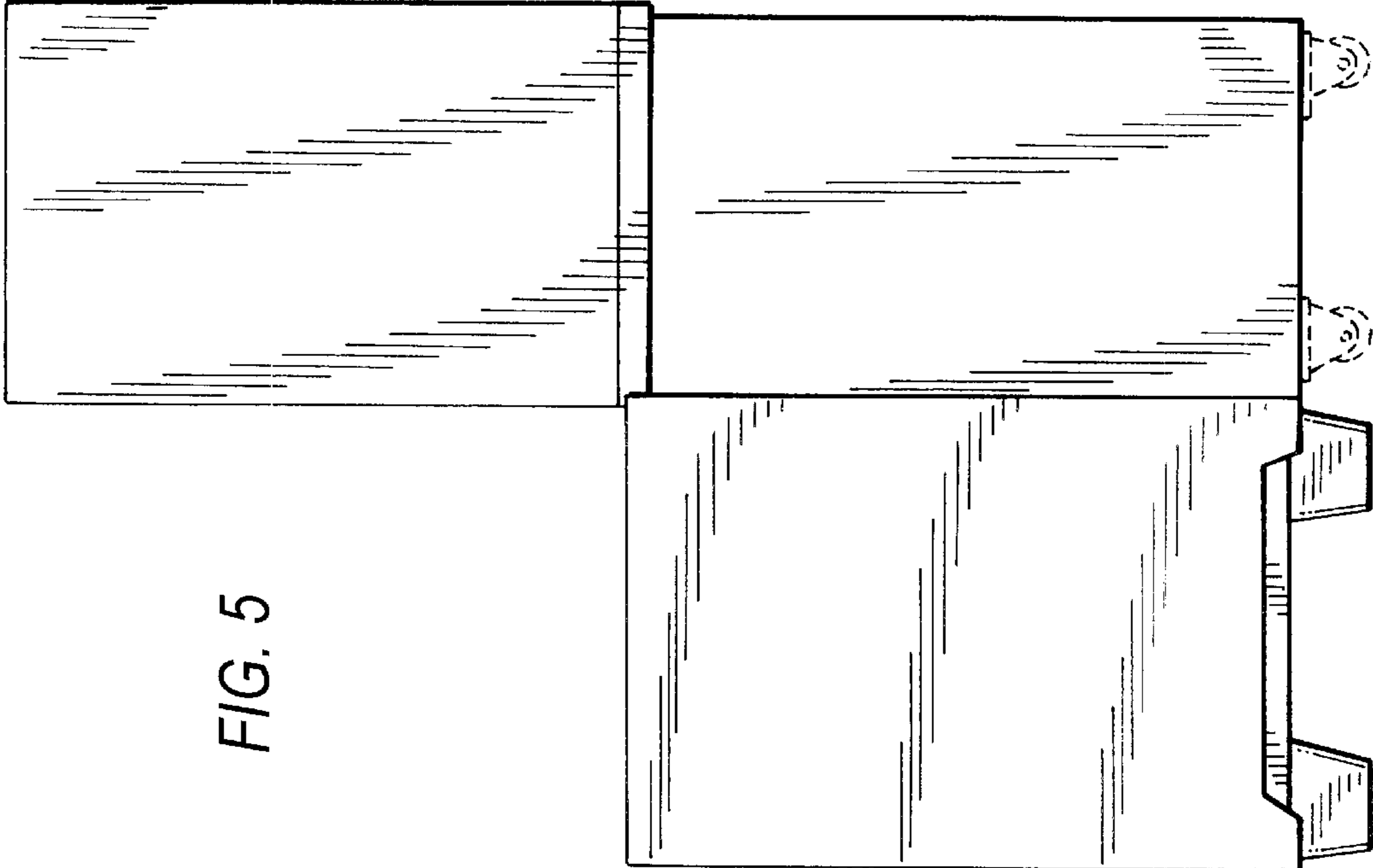


FIG. 5

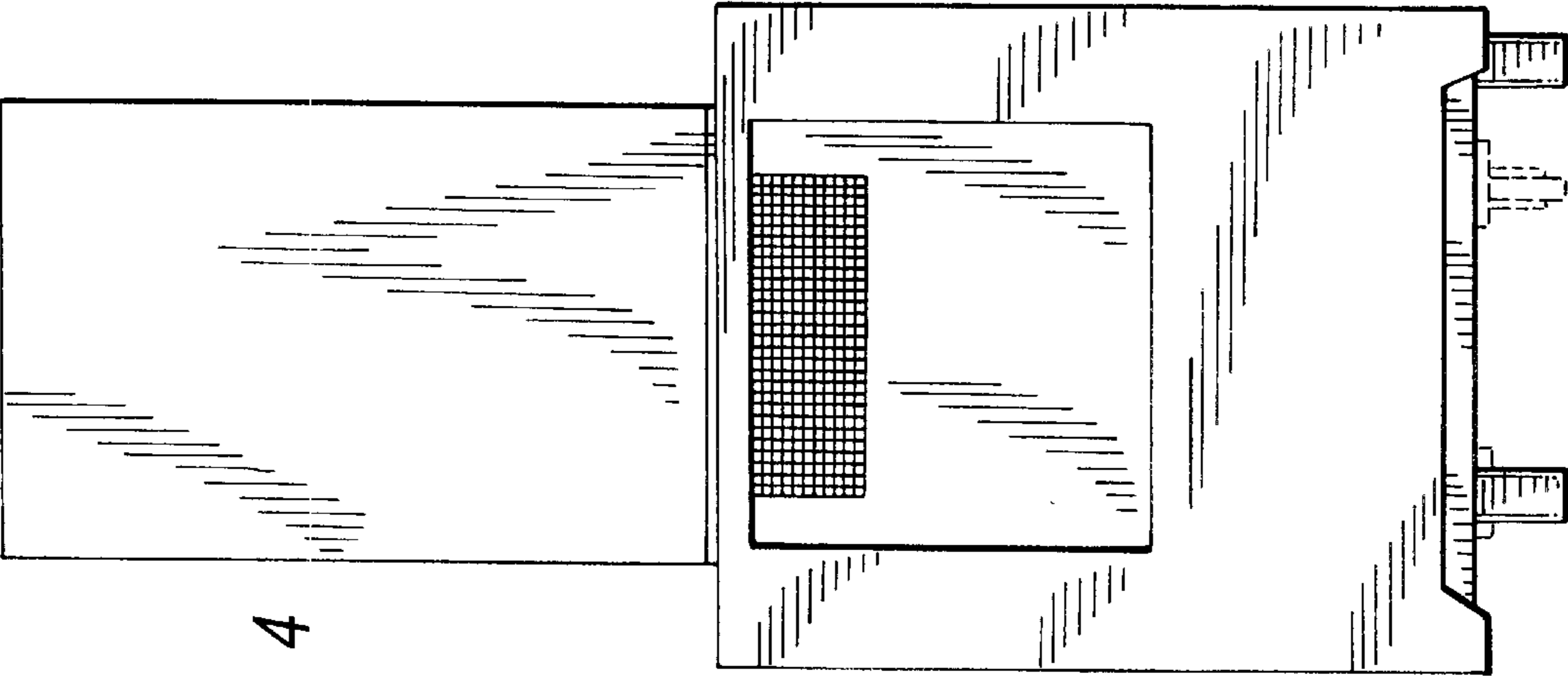


FIG. 4

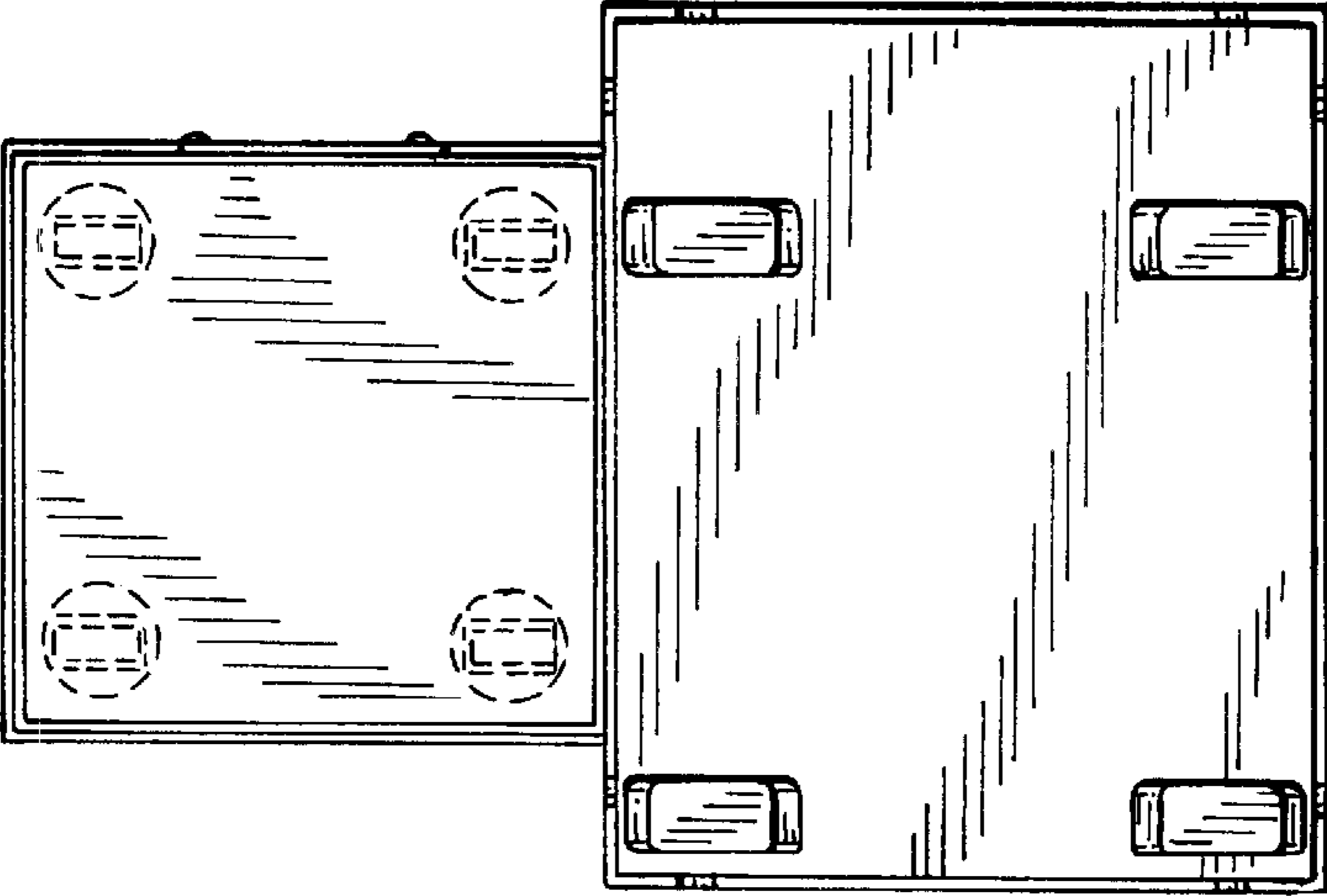


FIG. 7

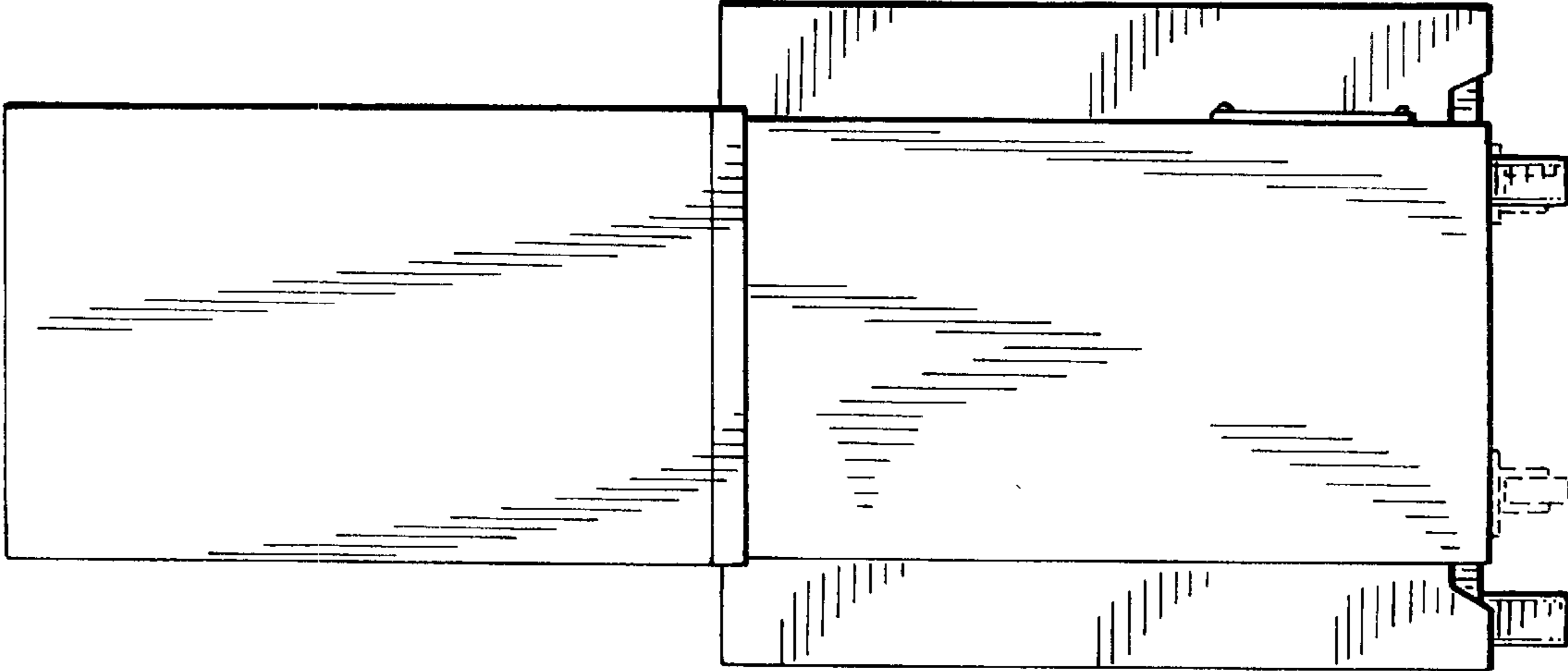


FIG. 6