



US00D532426S

(12) **United States Design Patent**
Lee et al.

(10) **Patent No.:** **US D532,426 S**
(45) **Date of Patent:** **** Nov. 21, 2006**

(54) **MP3 PLAYER**

(75) Inventors: **Mi Ri Lee**, Seoul (KR); **In Young Yeo**, Seoul (KR)

(73) Assignee: **Samsung Electronics Co., Ltd.** (KR)

(**) Term: **14 Years**

(21) Appl. No.: **29/253,307**

(22) Filed: **Feb. 3, 2006**

(30) **Foreign Application Priority Data**

Oct. 20, 2005 (KR) 30-2005-35416

(51) **LOC (8) Cl.** **14-03**

(52) **U.S. Cl.** **D14/496**

(58) **Field of Classification Search** D14/496,
D14/135, 136, 156, 157, 192, 160-168; 455/344-351;
369/75.11; 345/156, 169, 173-179; 463/43-47;
715/716-729, 864; 370/342-344
See application file for complete search history.

(56) **References Cited**

U.S. PATENT DOCUMENTS

5,661,632 A * 8/1997 Register 361/683
5,859,594 A * 1/1999 King et al. 340/7.55
6,122,526 A * 9/2000 Parulski et al. 455/556.1
D491,911 S * 6/2004 Jung D14/156

D493,779 S * 8/2004 Lee D14/156
6,769,603 B1 * 8/2004 Nagai et al. 235/375
D504,409 S * 4/2005 Kim D14/496
D504,442 S * 4/2005 Kim D14/496
D512,404 S * 12/2005 Yang D14/496
D515,098 S * 2/2006 Lee D14/496
7,046,230 B1 * 5/2006 Zadesky et al. 345/156

OTHER PUBLICATIONS

Dell Catalogs 2005, 20 GB Junk Box MP3 Player.*
Sandisk.com, 2005, Digital Audio Player.*

* cited by examiner

Primary Examiner—Prabhakar Deshmukh

(74) *Attorney, Agent, or Firm*—Irving Keschner

(57) **CLAIM**

The ornamental design for MP3 player, as shown.

DESCRIPTION

FIG. 1 is a perspective view of a MP3 player showing my new design;

FIG. 2 is a front elevational view thereof;

FIG. 3 is a rear elevational view thereof;

FIG. 4 is a left side elevational view thereof;

FIG. 5 is a right side elevational view thereof;

FIG. 6 is a top plan view thereof; and,

FIG. 7 is a bottom plan view thereof.

1 Claim, 6 Drawing Sheets

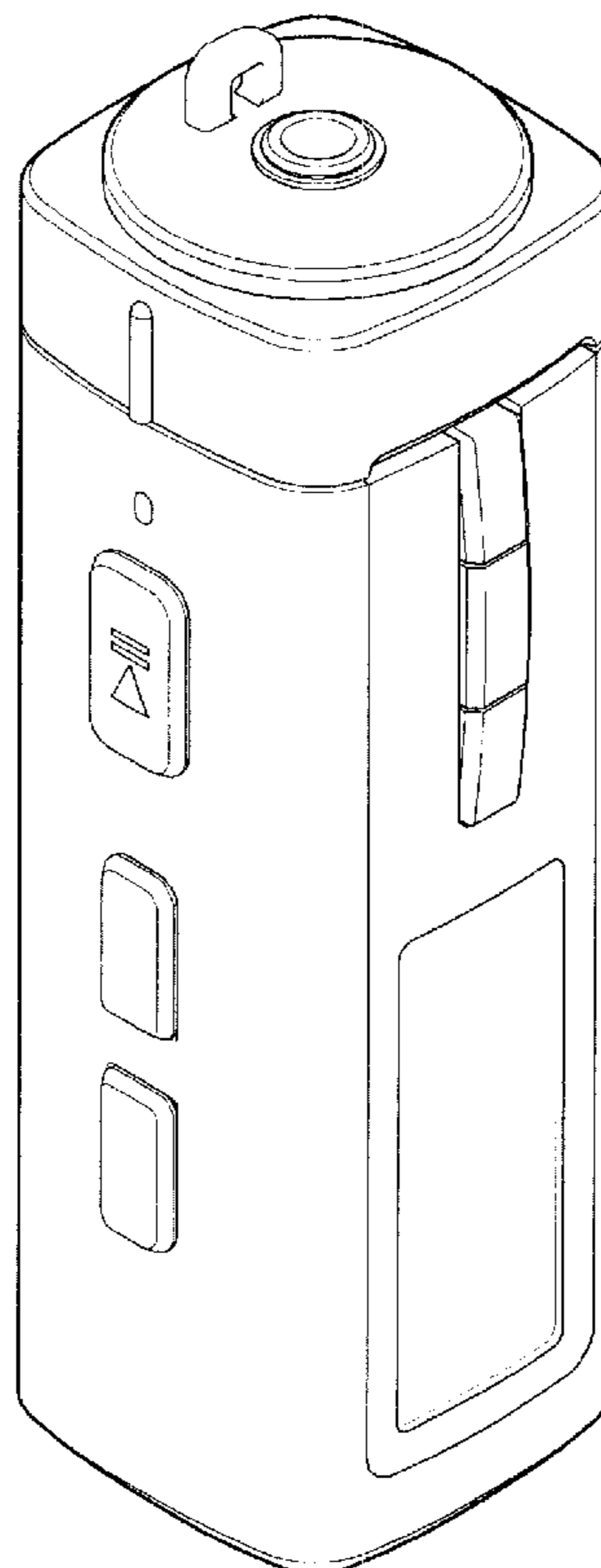


Fig. 1

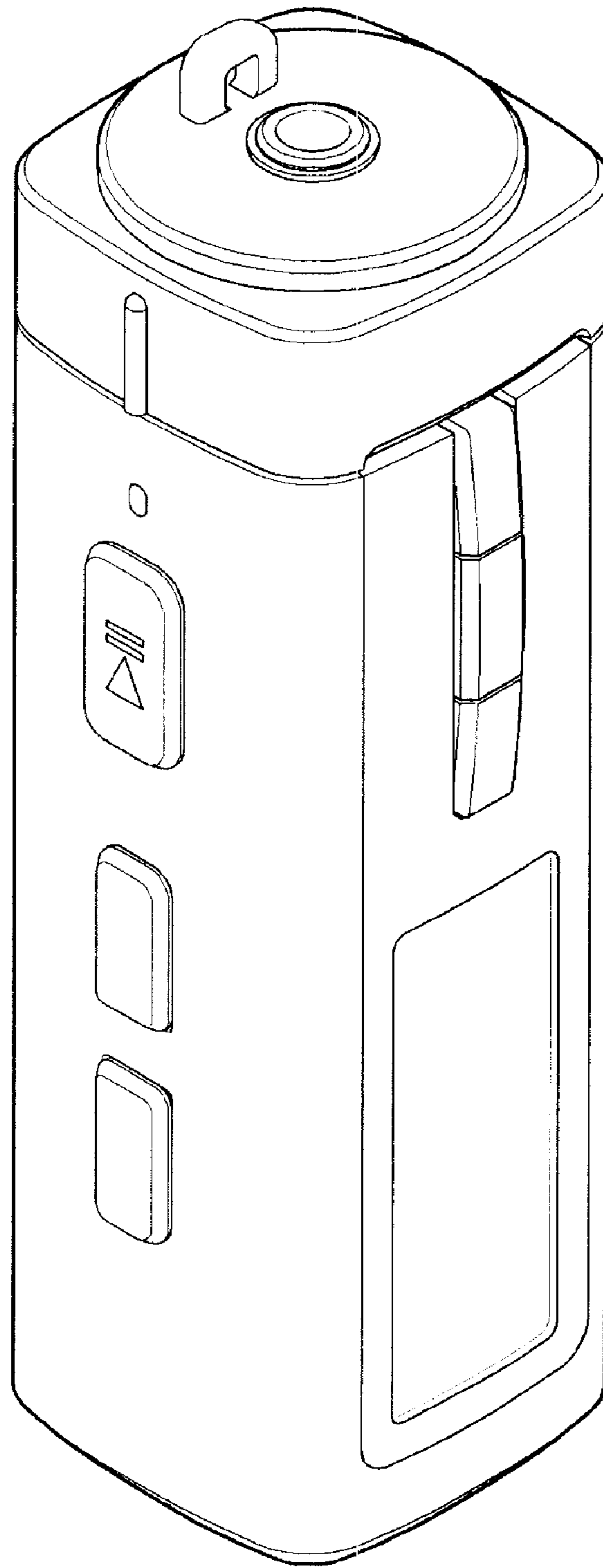


Fig. 2

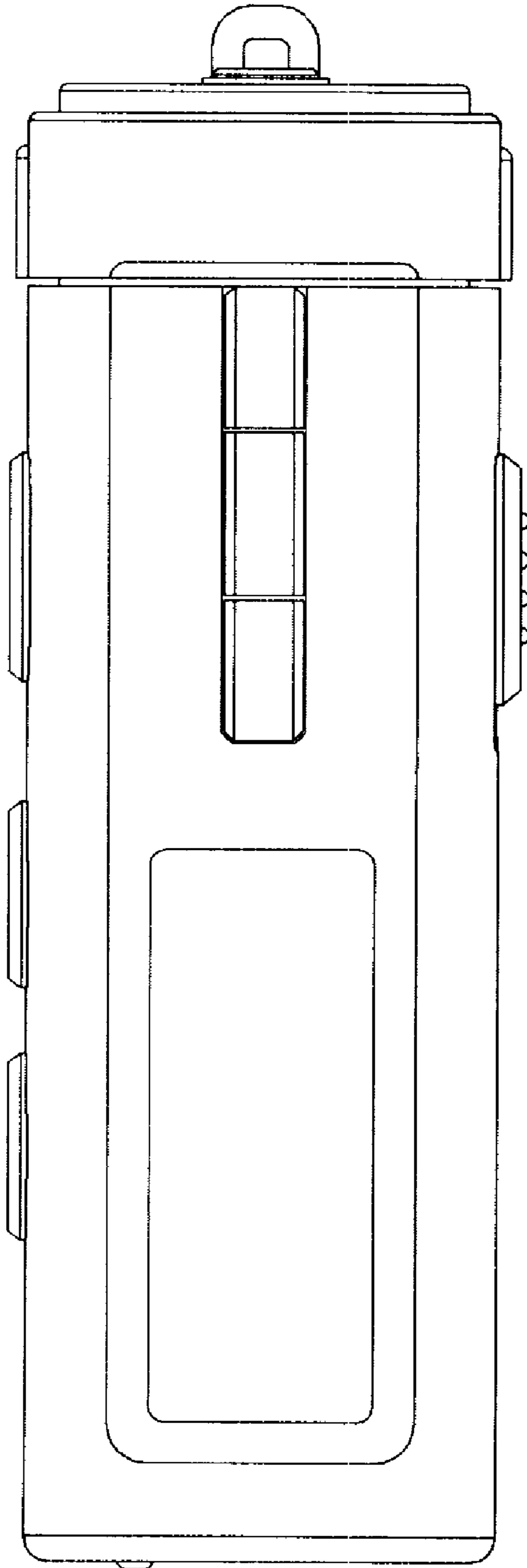


Fig. 3

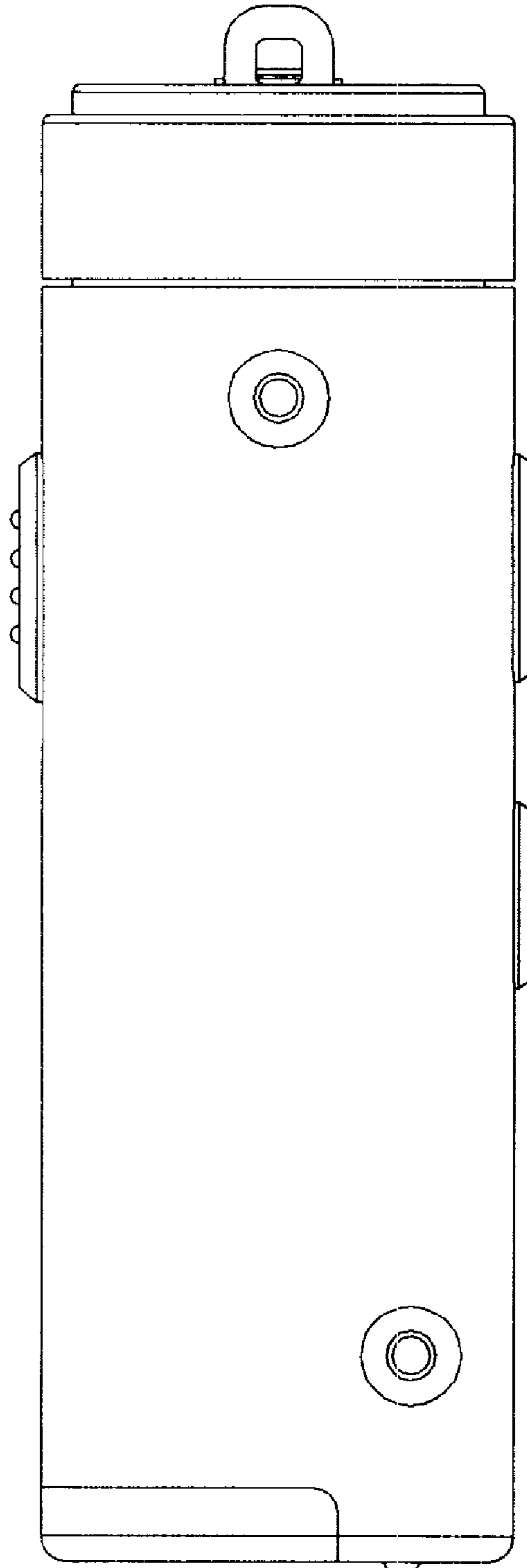


Fig. 4

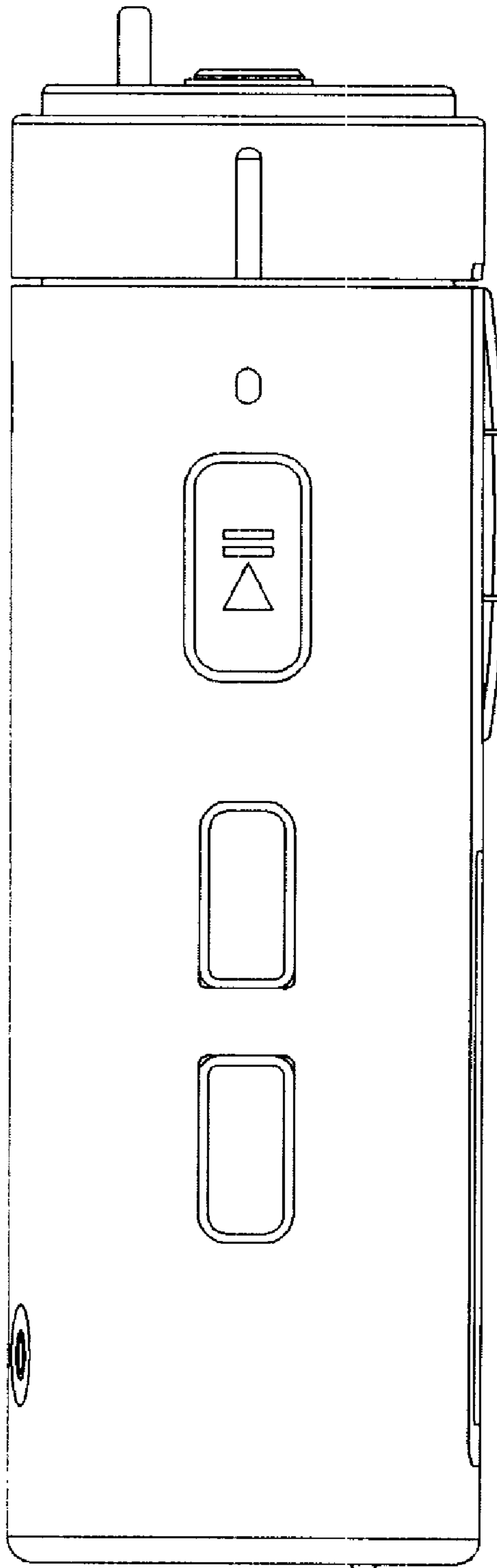


Fig. 5

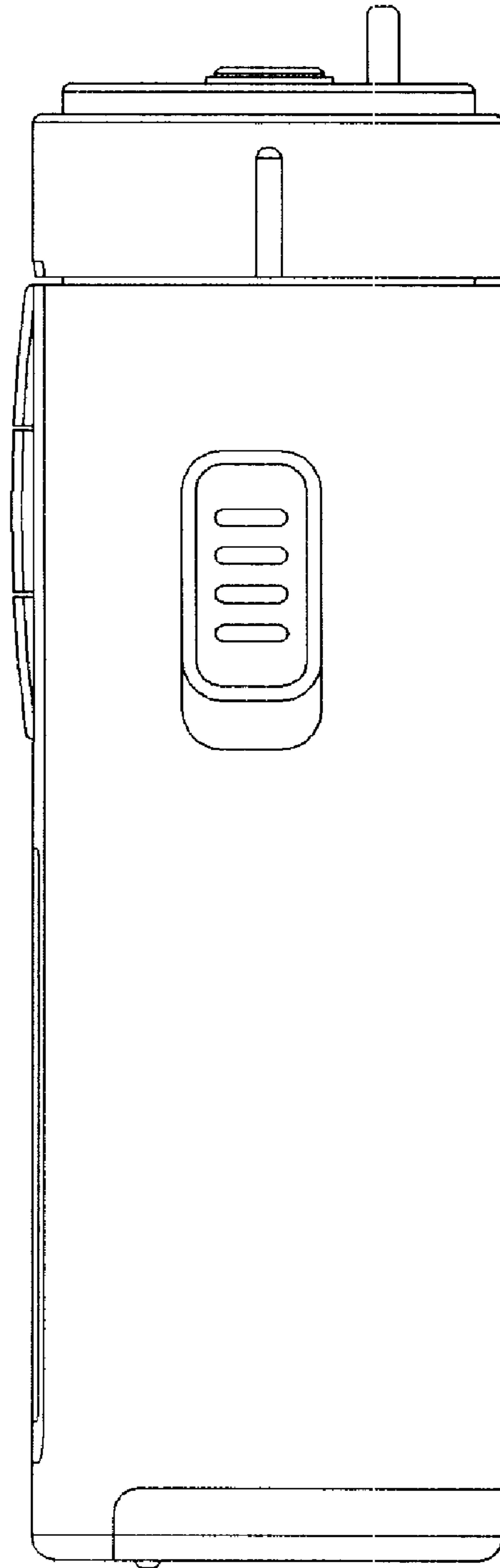


Fig. 6

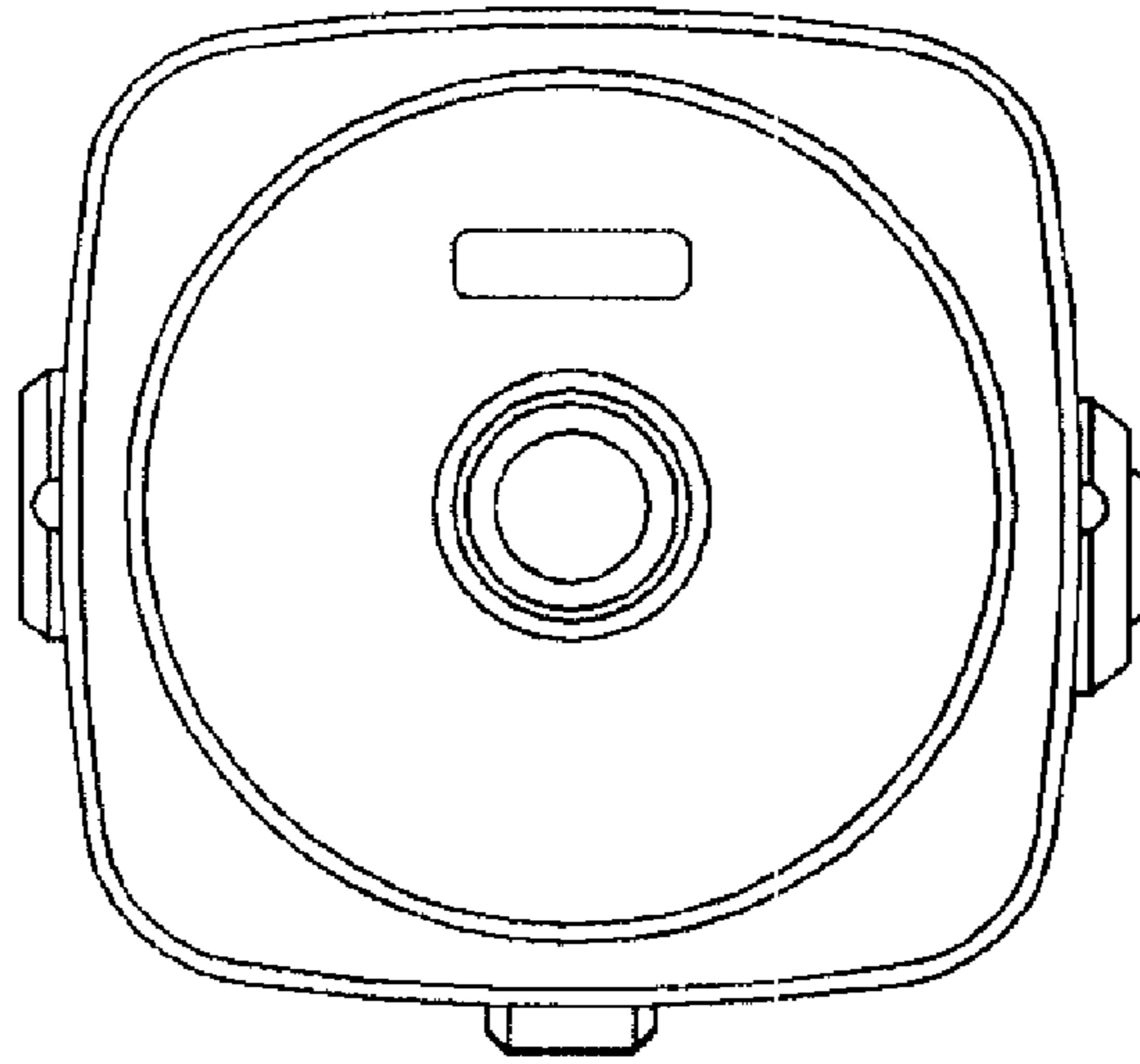


Fig. 7

