



US00D532424S

(12) **United States Design Patent**  
**Kim**

(10) **Patent No.:** **US D532,424 S**

(45) **Date of Patent:** **\*\* Nov. 21, 2006**

(54) **MP3 PLAYER**

(75) Inventor: **Goang Tae Kim**, Gwangyung-Si (KR)

(73) Assignee: **Samsung Electronics Co., Ltd.** (KR)

(\*\*) Term: **14 Years**

(21) Appl. No.: **29/252,878**

(22) Filed: **Jan. 30, 2006**

(30) **Foreign Application Priority Data**

Oct. 13, 2005 (KR) ..... 30-2005-0034569

(51) **LOC (8) Cl.** ..... **14-03**

(52) **U.S. Cl.** ..... **D14/496**

(58) **Field of Classification Search** ..... D14/496,  
D14/135, 136, 156, 157, 192, 160-168; 455/344-351;  
369/75.11; 345/156, 169, 173-179; 463/43-47;  
715/716-729, 864; 370/342-344  
See application file for complete search history.

(56) **References Cited**

**U.S. PATENT DOCUMENTS**

5,661,632 A \* 8/1997 Register ..... 361/683  
5,859,594 A \* 1/1999 King et al. .... 340/7.55  
6,122,526 A \* 9/2000 Parulski et al. .... 455/556.1  
D491,911 S \* 6/2004 Jung ..... D14/156  
D493,779 S \* 8/2004 Lee ..... D14/156

6,769,603 B1 \* 8/2004 Nagai et al. .... 235/375  
D504,409 S \* 4/2005 Kim ..... D14/496  
D504,442 S \* 4/2005 Kim ..... D14/496  
D512,404 S \* 12/2005 Yang ..... D14/496  
D515,098 S \* 2/2006 Lee ..... D14/496  
7,046,230 B1 \* 5/2006 Zadesky et al. .... 345/156

**OTHER PUBLICATIONS**

Dell Catalogs 2005, 20 GB Junk Box MP3 Player.\*  
SANDISK.COM, 2005, Digital Audio Player.\*

\* cited by examiner

*Primary Examiner*—Prabhakar Deshmukh

(74) *Attorney, Agent, or Firm*—Irving Keschner

(57) **CLAIM**

The ornamental design for MP3 player, as shown.

**DESCRIPTION**

FIG. 1 is a perspective view of a MP3 player showing my new design;

FIG. 2 is a front elevational view thereof;

FIG. 3 is a rear elevational view thereof;

FIG. 4 is a left side elevational view thereof;

FIG. 5 is a right side elevational view thereof;

FIG. 6 is a top plan view thereof; and,

FIG. 7 is a bottom plan view thereof.

**1 Claim, 6 Drawing Sheets**

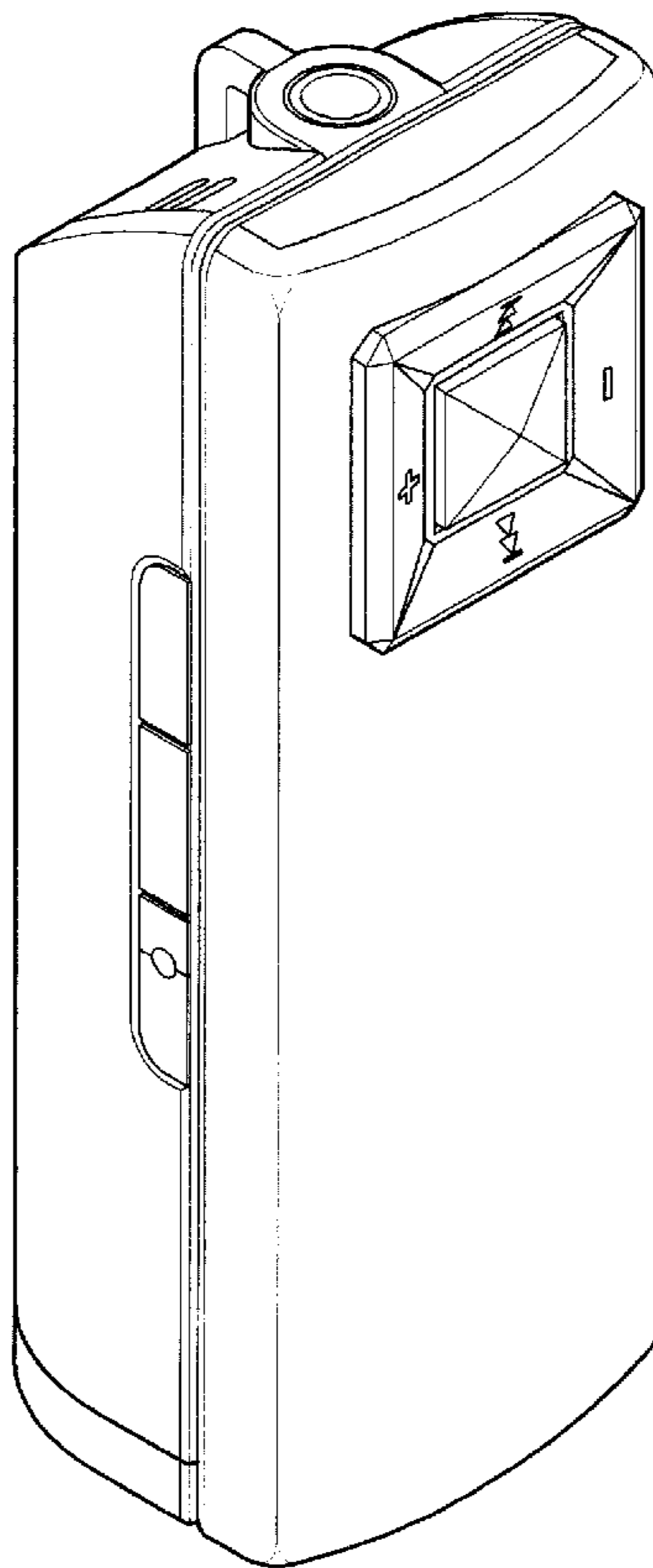


Fig. 1

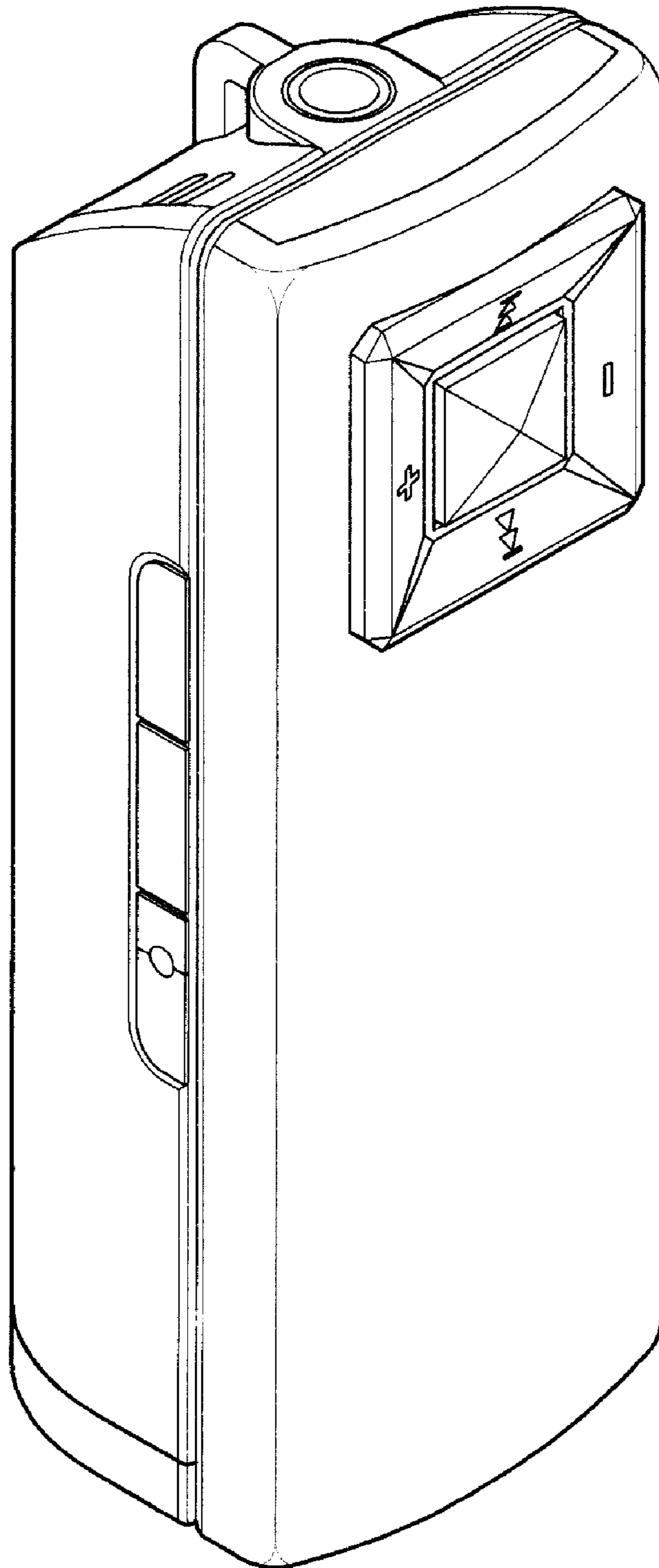


Fig. 2

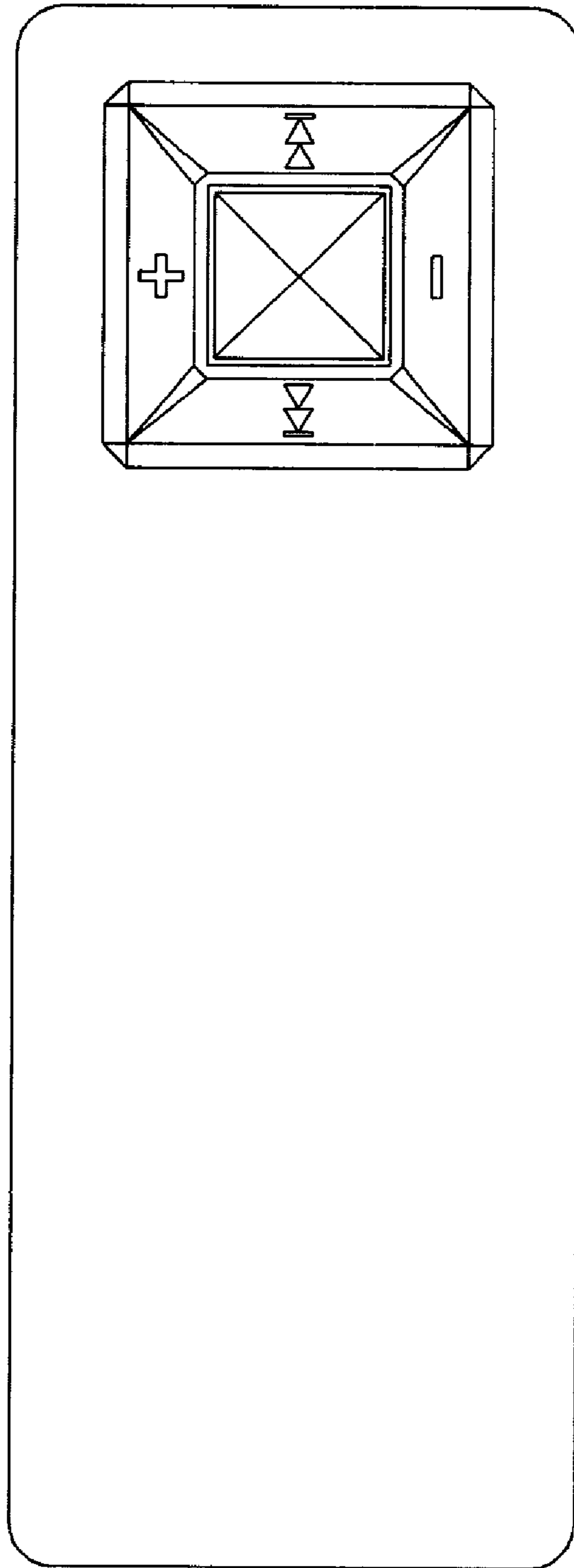


Fig. 3

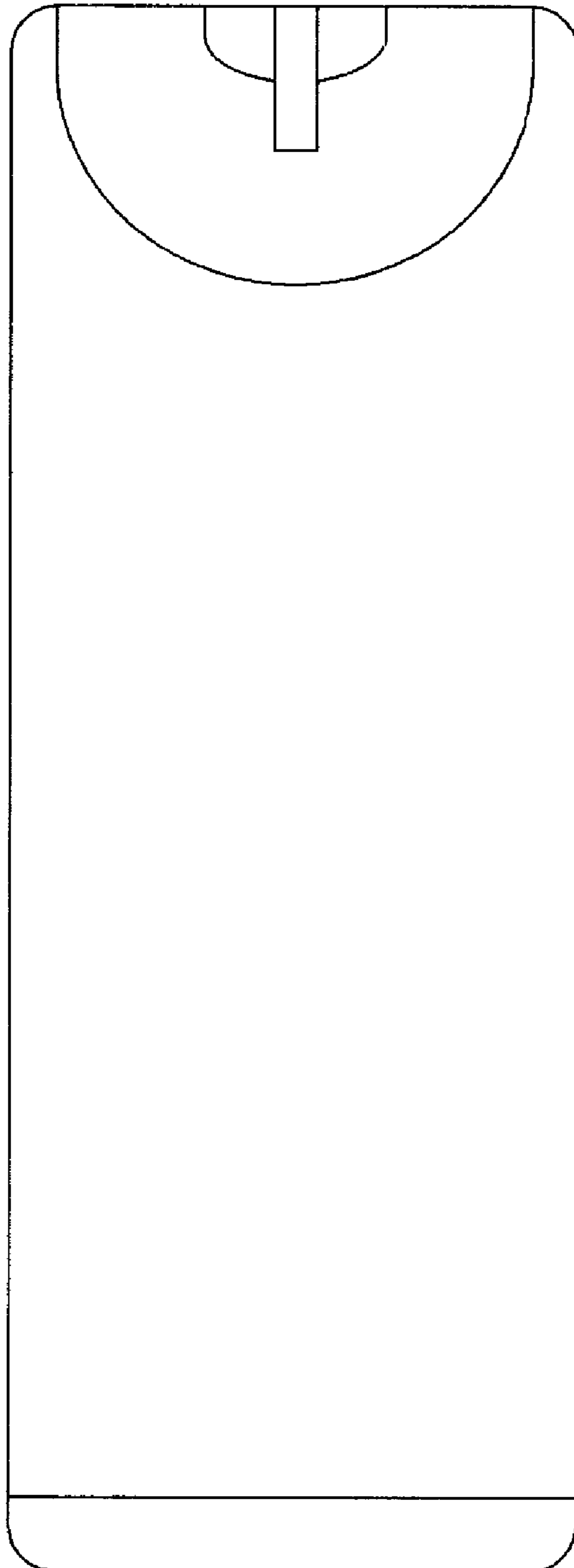


Fig. 4

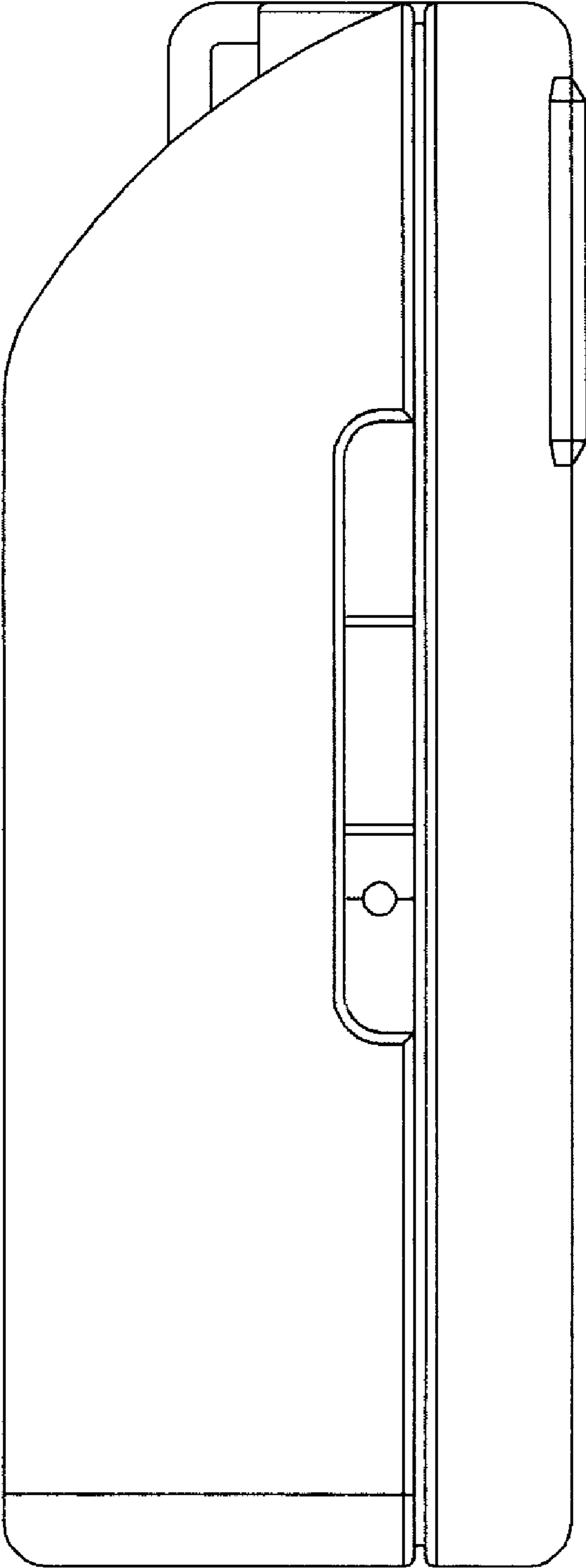


Fig. 5

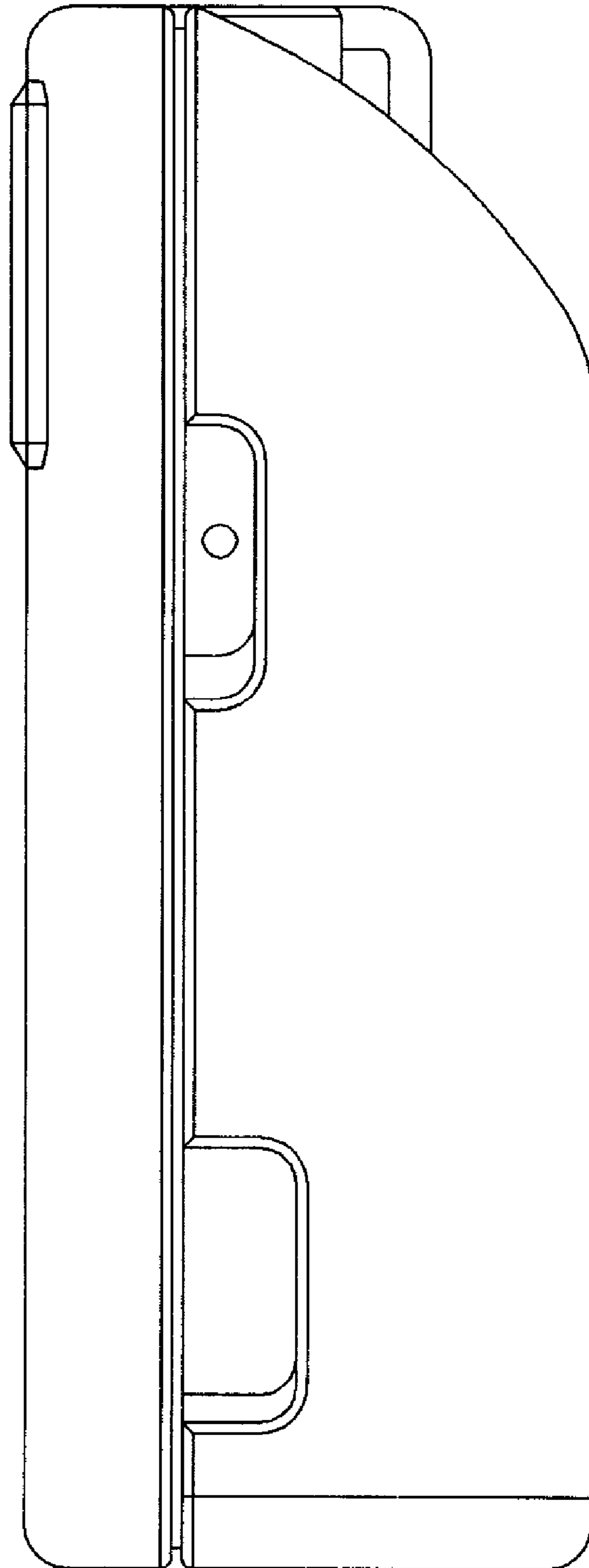


Fig. 6

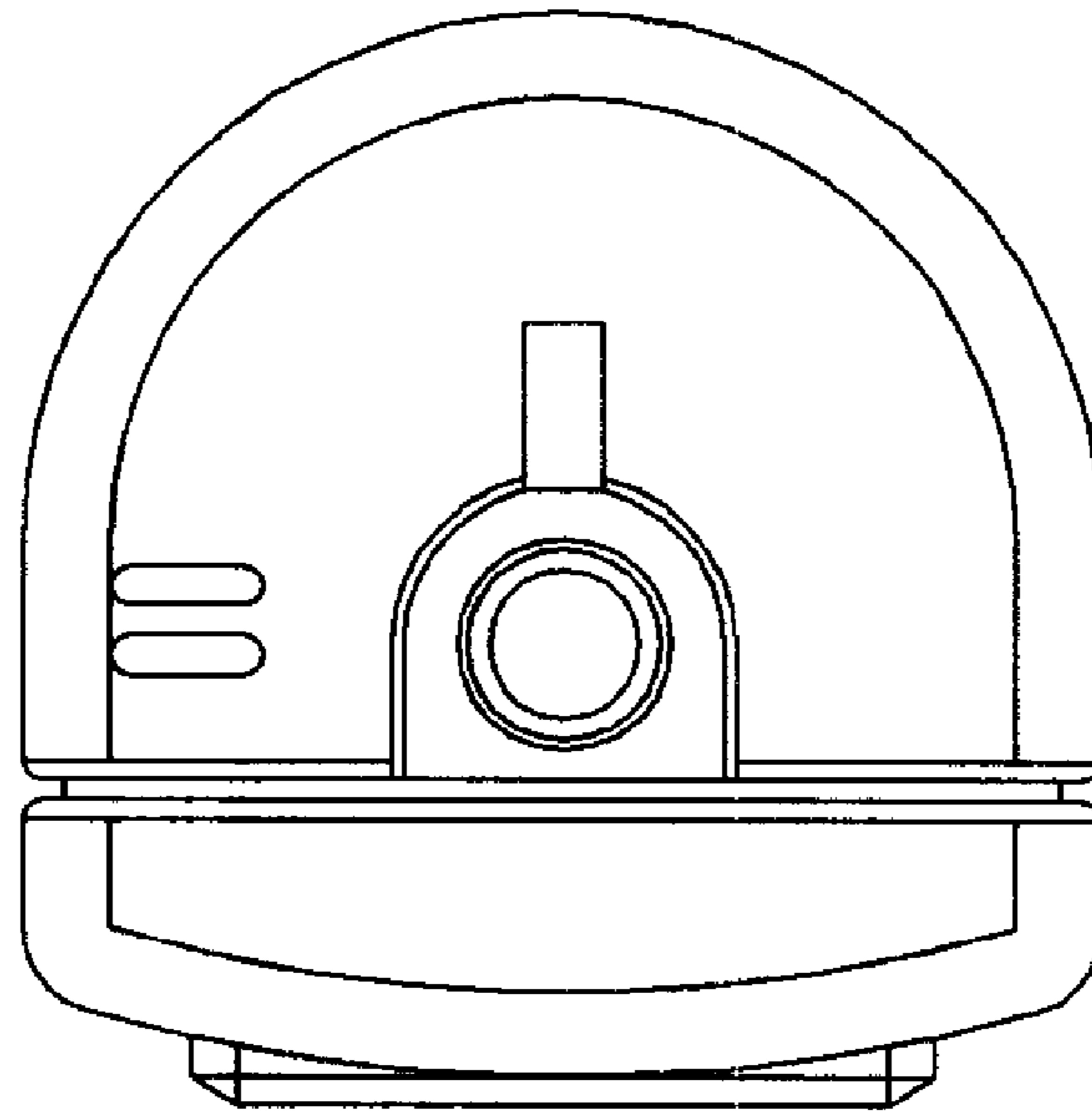


Fig. 7

